



US00D464509S

(12) **United States Design Patent**
Malizia

(10) **Patent No.:** **US D464,509 S**

(45) **Date of Patent:** **** Oct. 22, 2002**

(54) **STAND**

(75) Inventor: **Mario Malizia**, Castelfidardo (IT)

(73) Assignee: **TAM S.r.L.**, Recanati (IT)

(**) Term: **14 Years**

(21) Appl. No.: **29/146,988**

(22) Filed: **Aug. 21, 2001**

(51) **LOC (7) Cl.** **06-04**

(52) **U.S. Cl.** **D6/462; D6/466**

(58) **Field of Search** D6/409-419, 449,
D6/462, 463, 466; D17/9; 211/13.1, 85.6,
189, 191, 192, 195, 201, 181.1, 182; 248/161,
163.1, 164, 165, 171, 431; 984/344

(56) **References Cited**

U.S. PATENT DOCUMENTS

D278,670 S	*	5/1985	Schoenig	D6/463
4,684,091 A	*	8/1987	Moreschi	248/163.1 X
D301,418 S	*	6/1989	Wernick	D6/462
D304,270 S	*	10/1989	Goldman	D6/462
D317,611 S	*	6/1991	Poe	D6/462 X
D383,333 S	*	9/1997	Mechem, Jr.	D6/462

D442,387 S * 5/2001 Jeghers D6/400

* cited by examiner

Primary Examiner—Cathron C. Brooks

(74) *Attorney, Agent, or Firm*—Harrison & Egbert

(57) **CLAIM**

I claim the ornamental design for a stand, as shown and described.

DESCRIPTION

FIG. 1 is an upper perspective view of the stand showing my design.

FIG. 2 is a front view thereof;

FIG. 3 is a back view thereof;

FIG. 4 is a top view thereof;

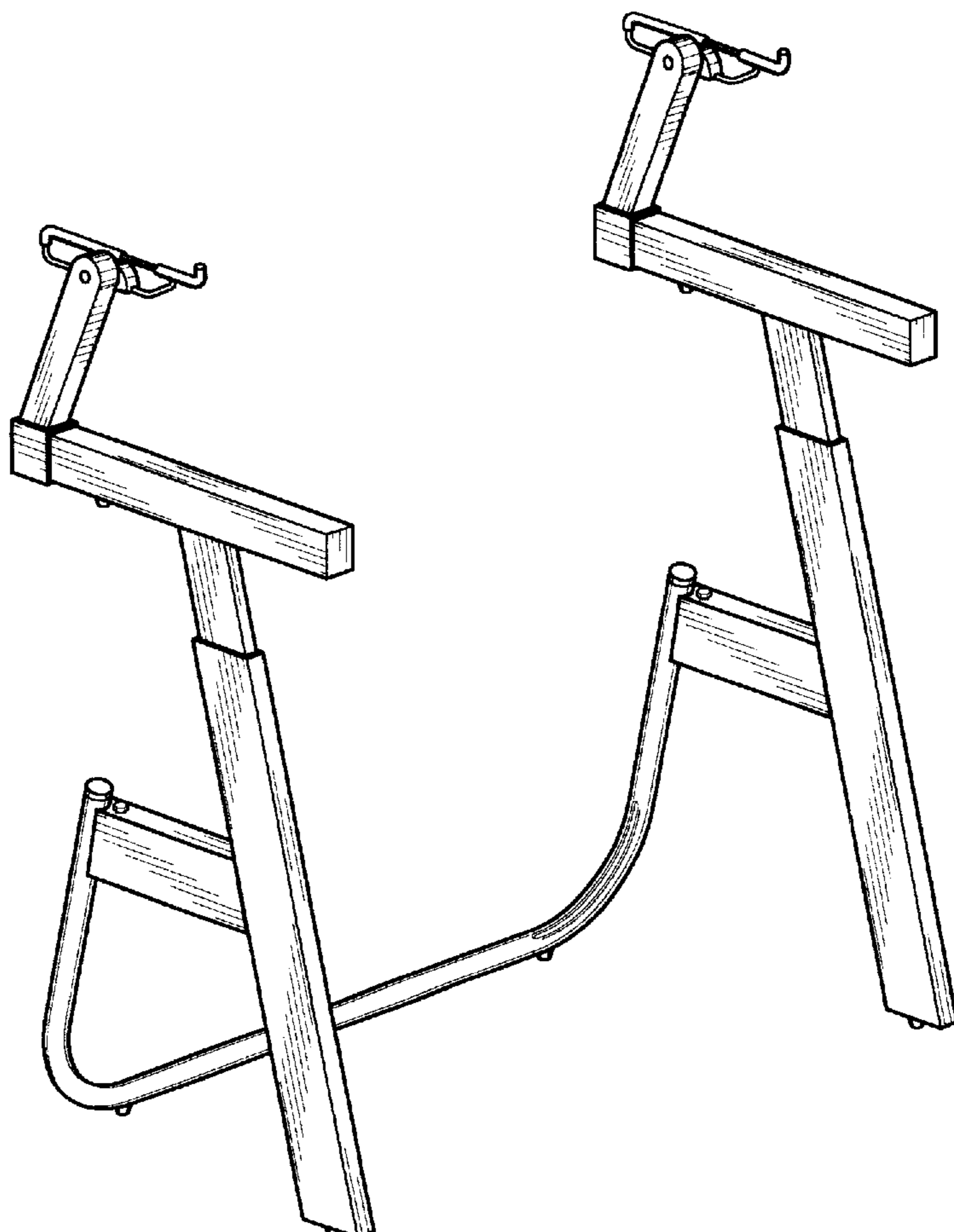
FIG. 5 is a bottom view thereof;

FIG. 6 is a side view thereof, wherein an opposite side view is a mirror image thereof;

FIG. 7 is a perspective view thereof, showing a folded configuration; and,

FIG. 8 is a perspective view thereof, showing a removable top attachment.

1 Claim, 3 Drawing Sheets



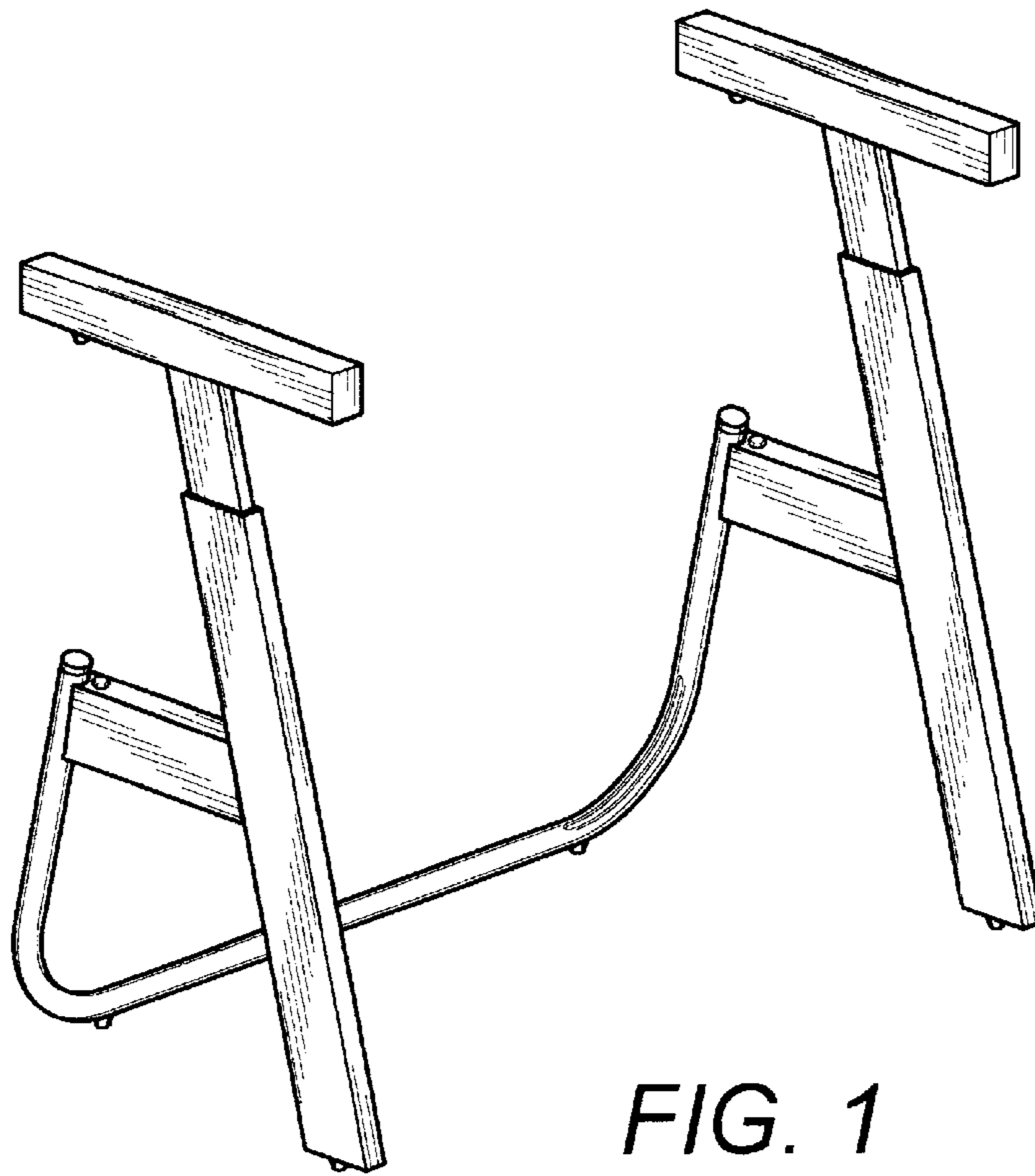


FIG. 1

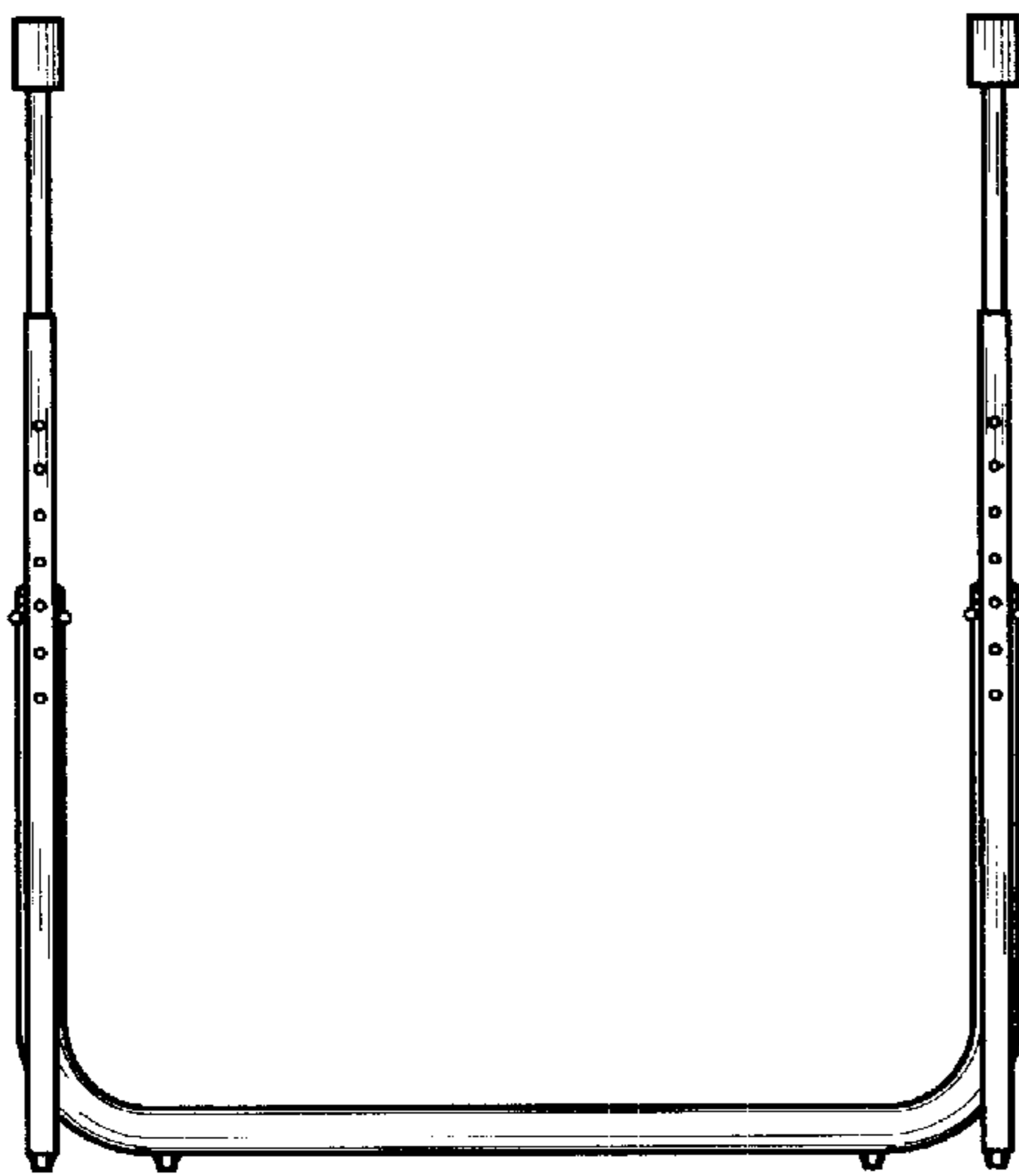


FIG. 2

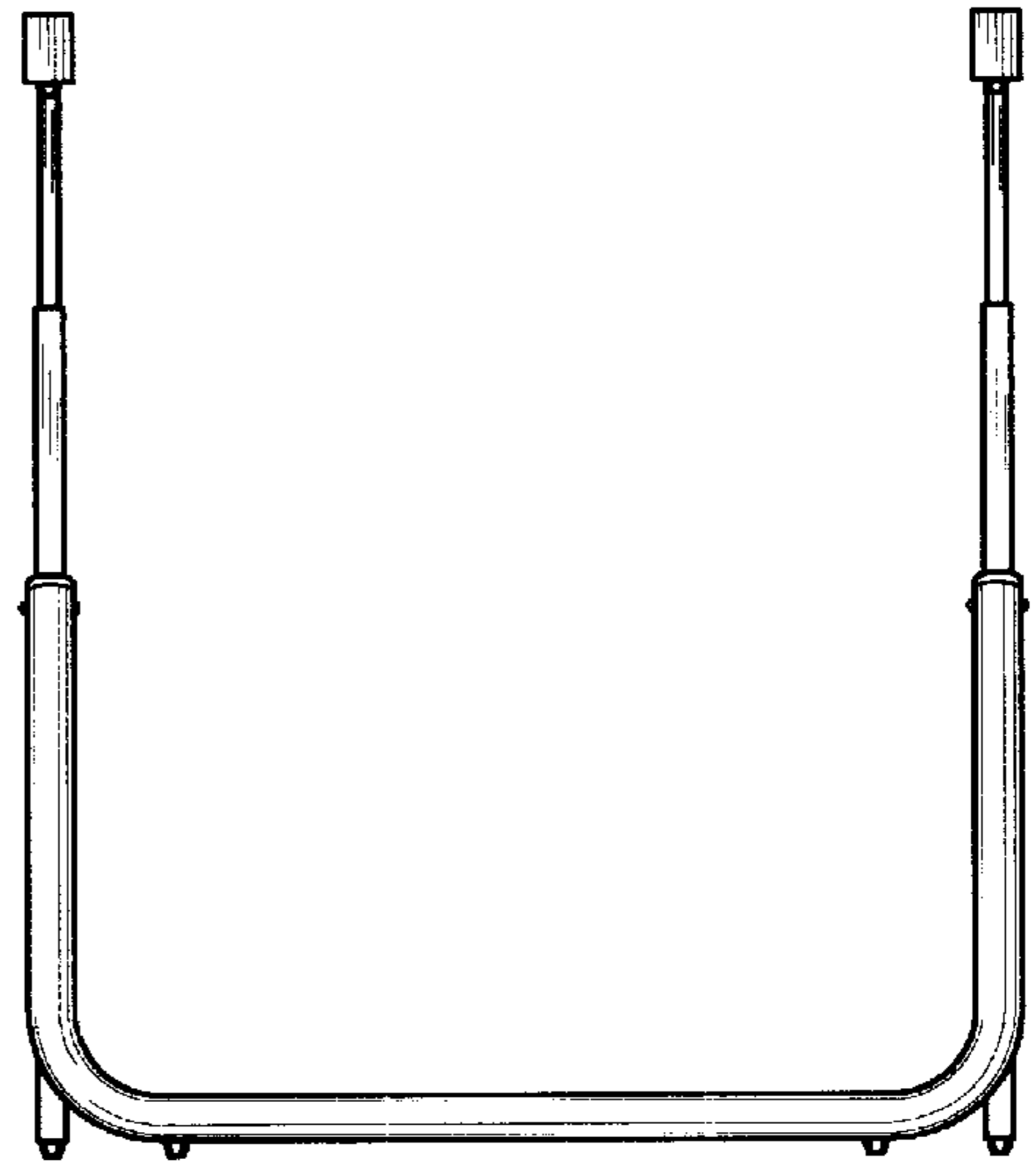


FIG. 3



FIG. 4

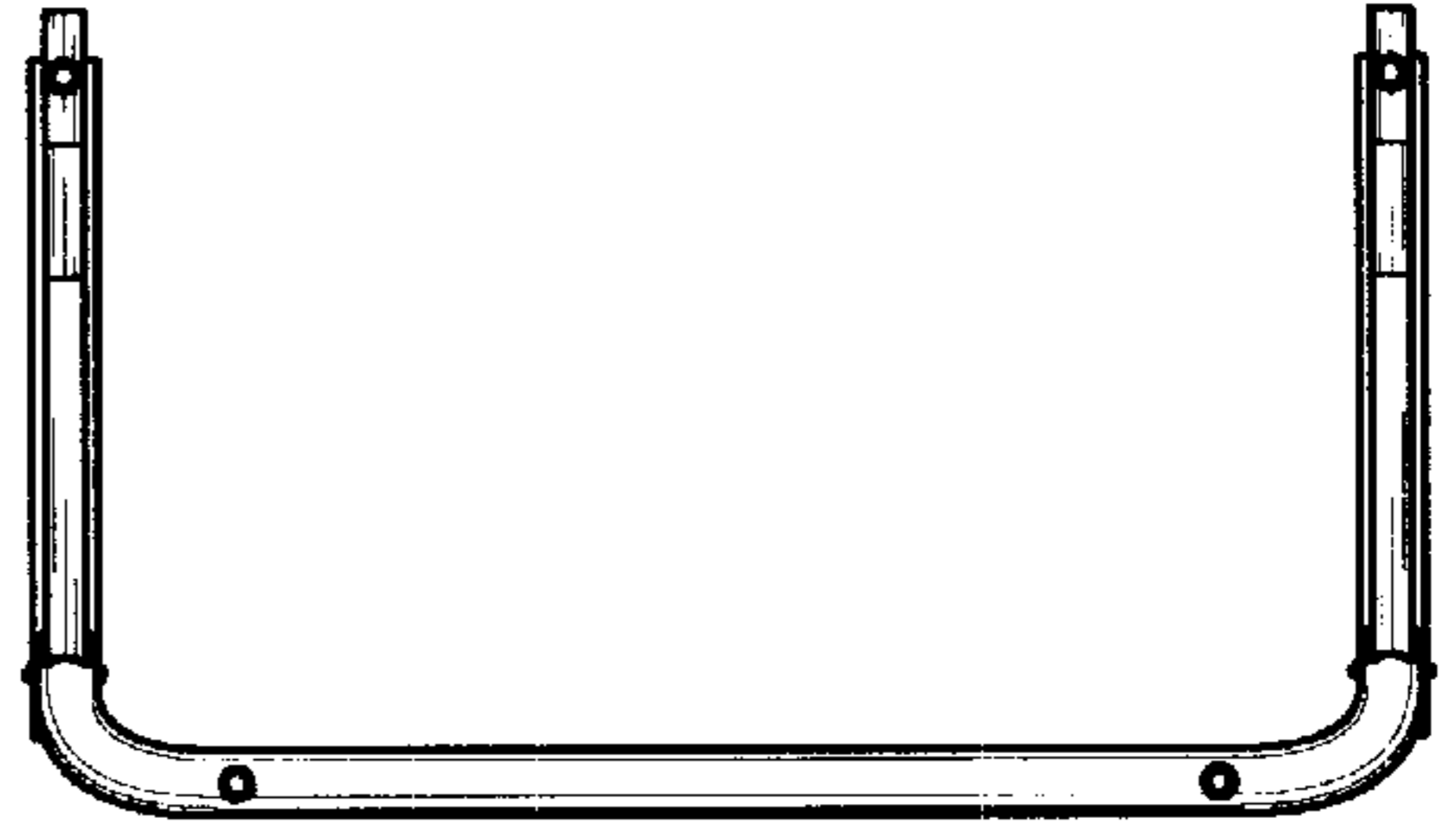


FIG. 5

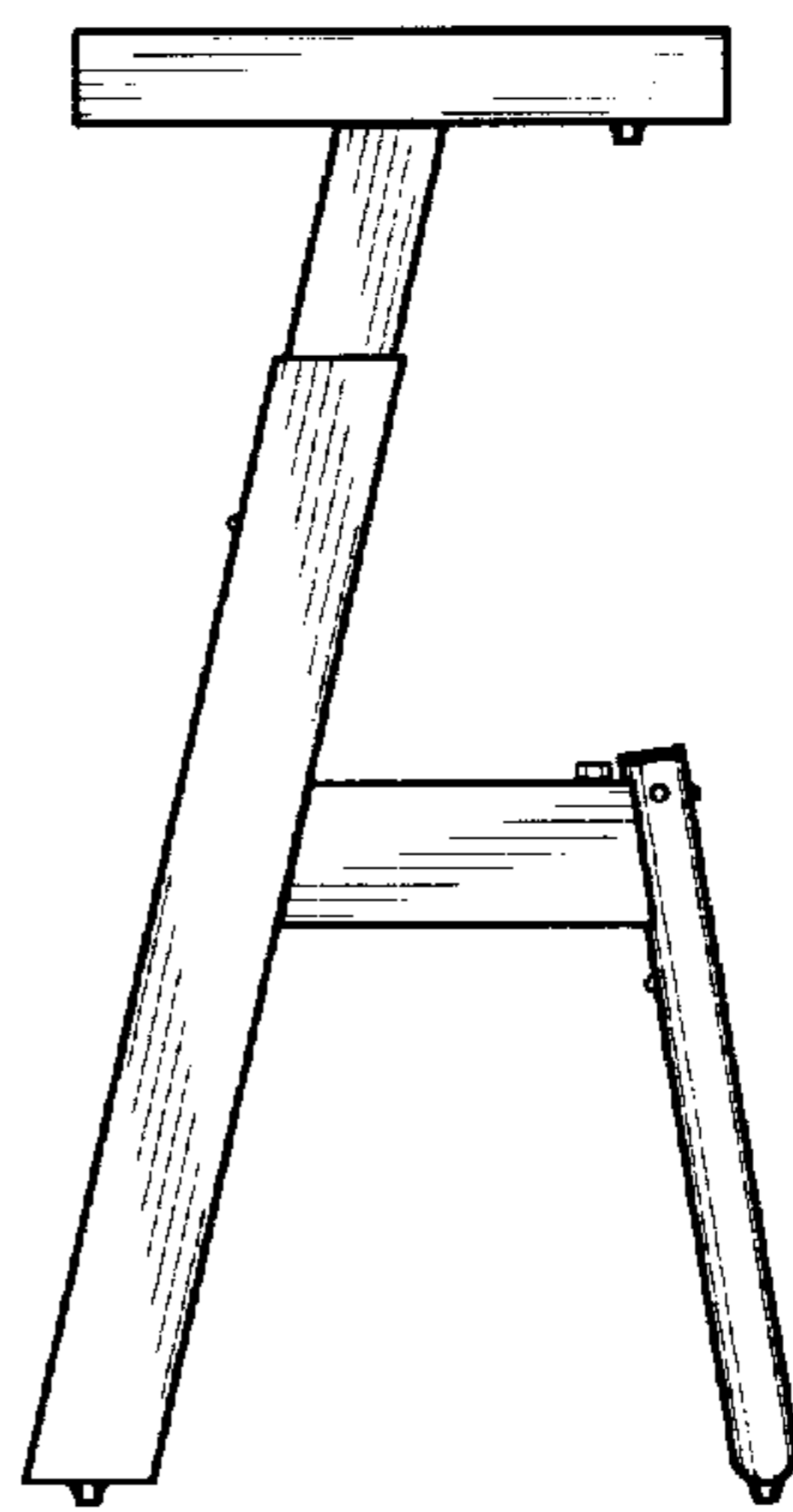


FIG. 6

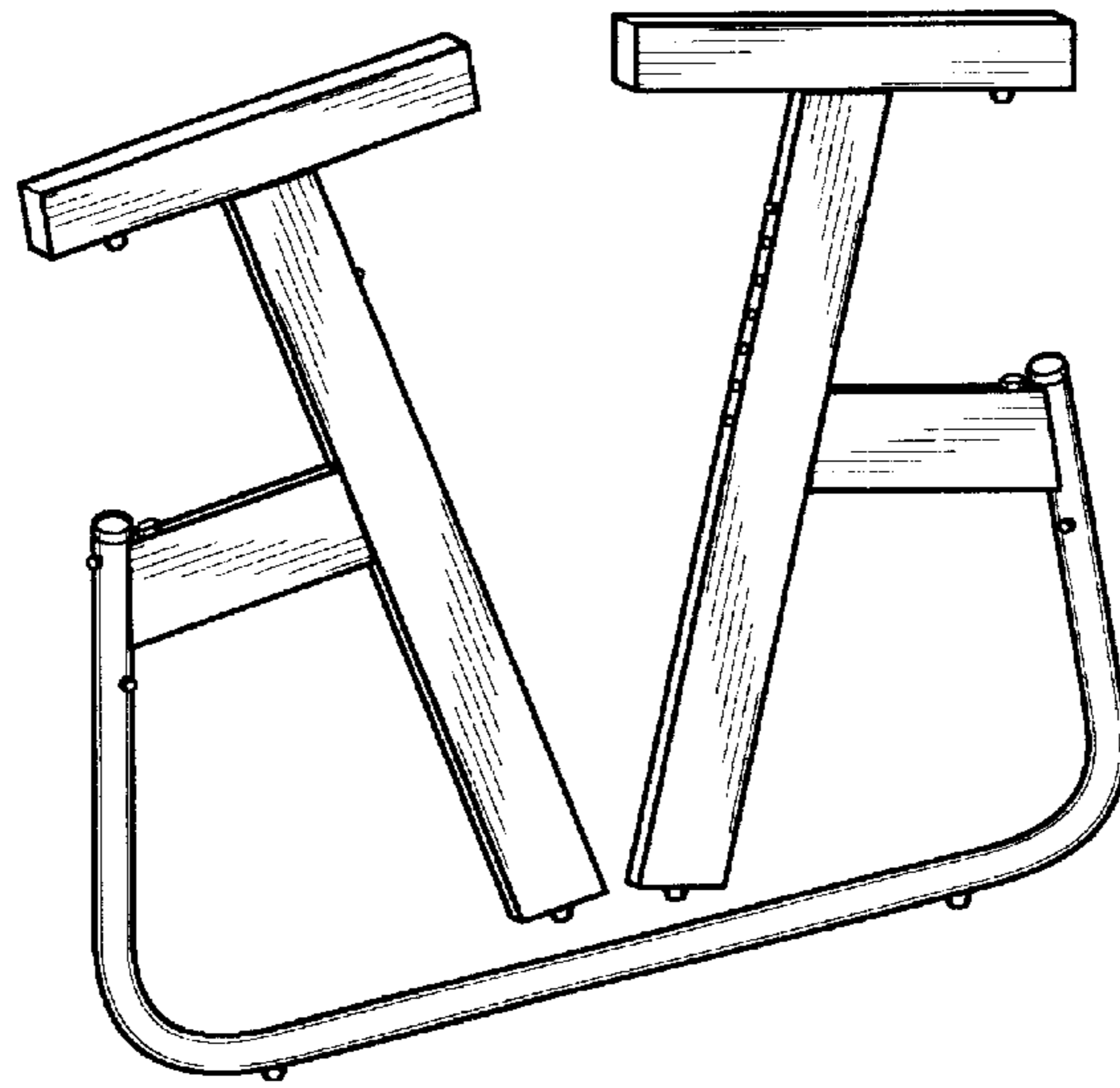


FIG. 7

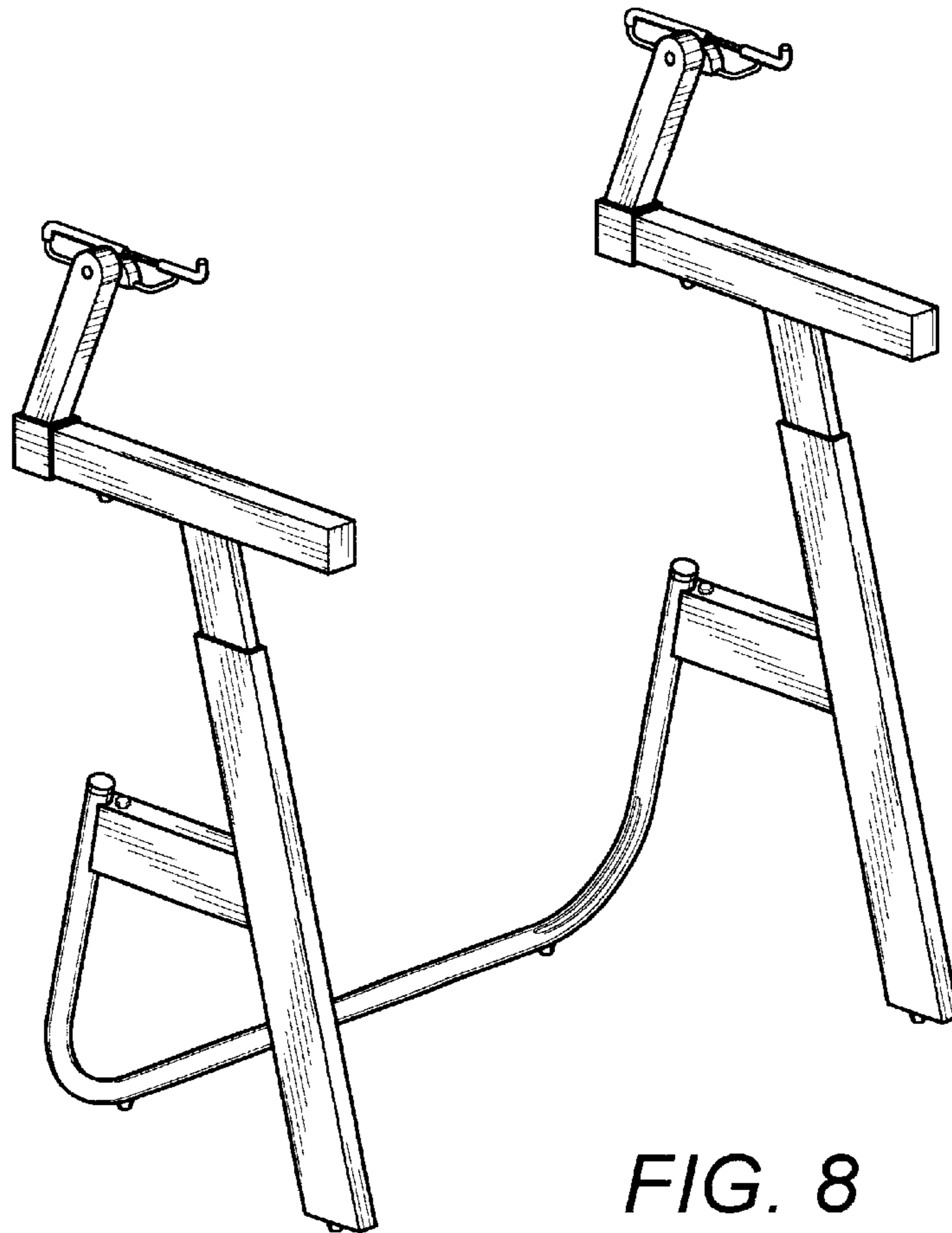


FIG. 8