



US00D464502S

(12) **United States Design Patent**
Chen

(10) **Patent No.:** **US D464,502 S**

(45) **Date of Patent:** **** Oct. 22, 2002**

(54) **COMPUTER TABLE**

D452,620 S * 1/2002 Wang D6/426

(76) Inventor: **Kavin Chen**, 58, Ma Yuan West St.,
Taichung (TW)

* cited by examiner

Primary Examiner—Janice E. Seeger

(**) Term: **14 Years**

(57) **CLAIM**

(21) Appl. No.: **29/154,743**

The ornamental design for a computer table, as shown and described.

(22) Filed: **Jan. 25, 2002**

DESCRIPTION

(51) **LOC (7) Cl.** **06-04**

(52) **U.S. Cl.** **D6/425; D6/426**

(58) **Field of Search** D6/422–428, 495,
D6/499, 464, 465, 474, 477, 479; 312/194–196,
208.1; 108/50.01, 50.02, 92, 59

FIG. 1 is a perspective view of a computer table showing my new design;

FIG. 2 is a front elevational view thereof;

FIG. 3 is a rear elevational view thereof;

FIG. 4 is a left side elevational view thereof;

FIG. 5 is a right side elevational view thereof;

FIG. 6 is a top plan view thereof; and,

FIG. 7 is a bottom plan view thereof.

(56) **References Cited**

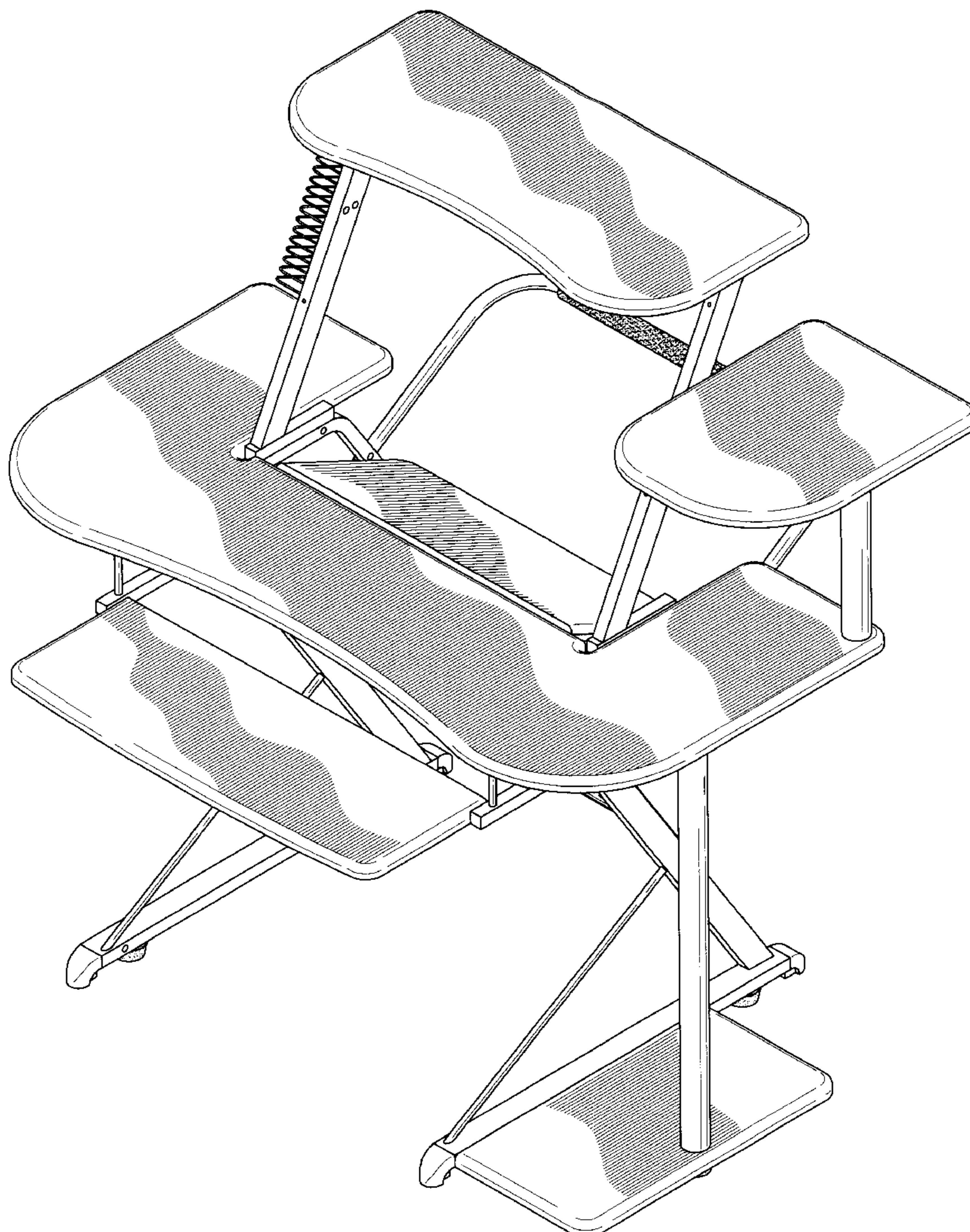
U.S. PATENT DOCUMENTS

D304,112 S * 10/1989 Bettess D34/21

D394,965 S * 6/1998 Fang D6/474

D426,979 S * 6/2000 Hawang D6/426

1 Claim, 7 Drawing Sheets



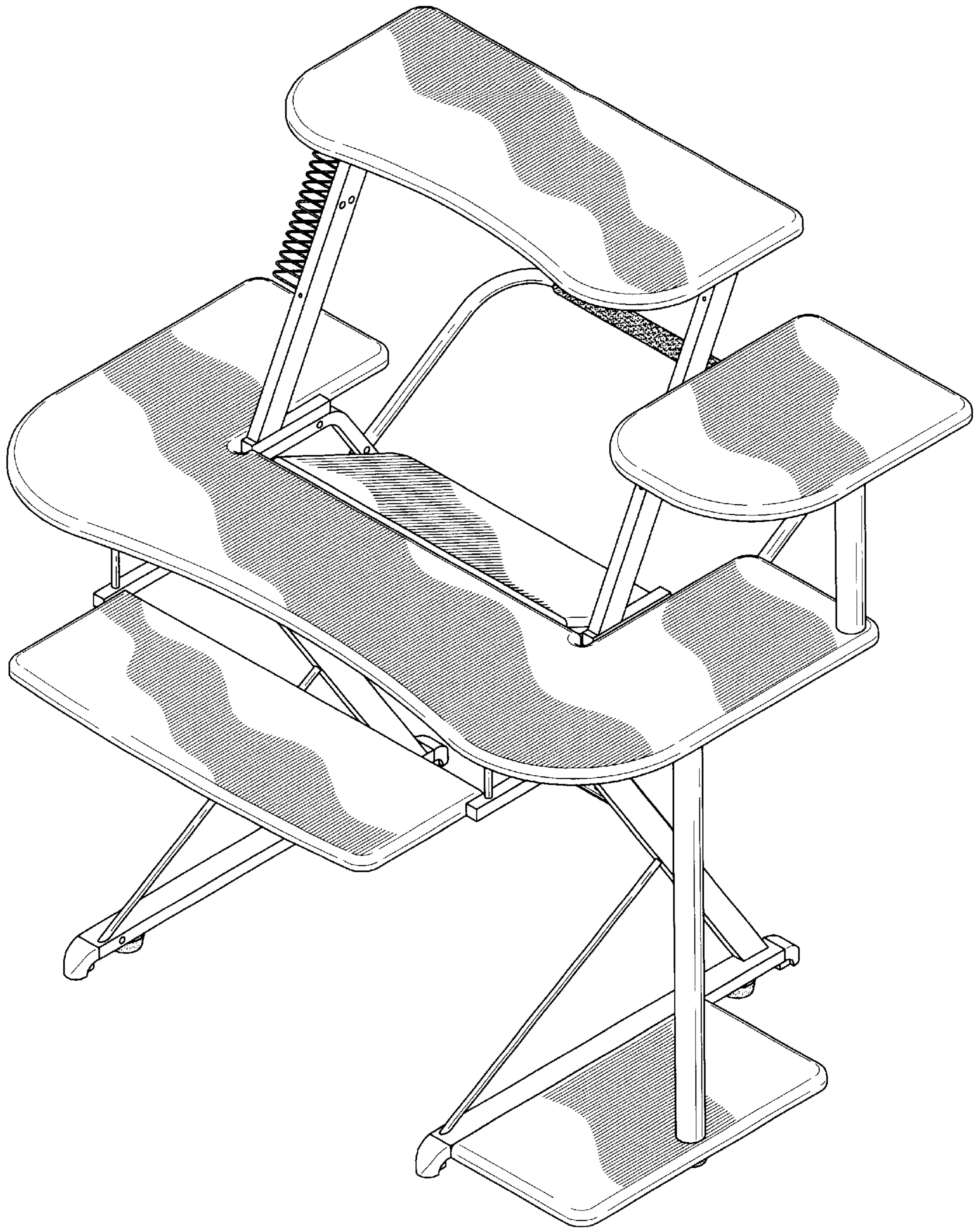


FIG. 1

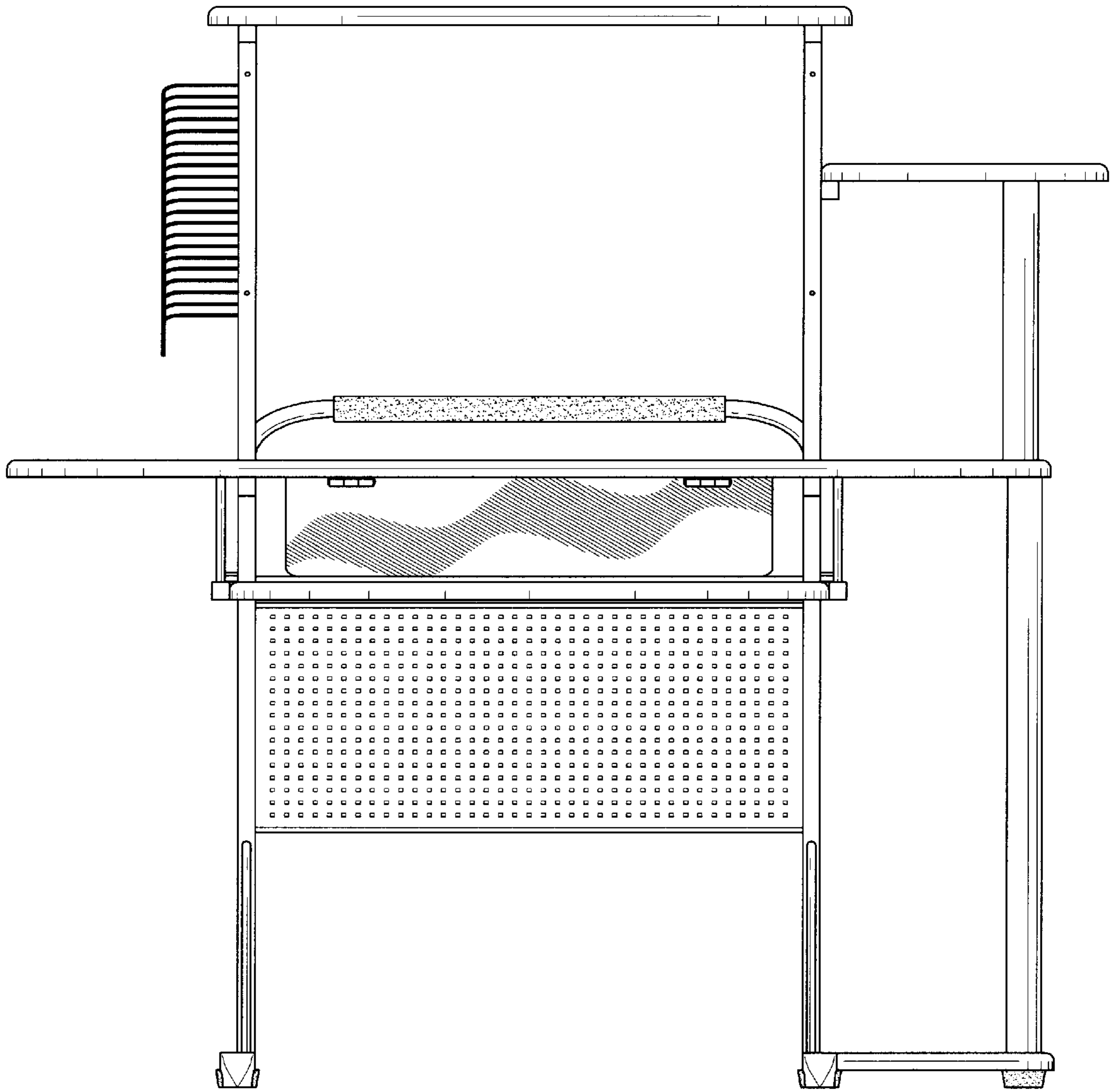


FIG. 2

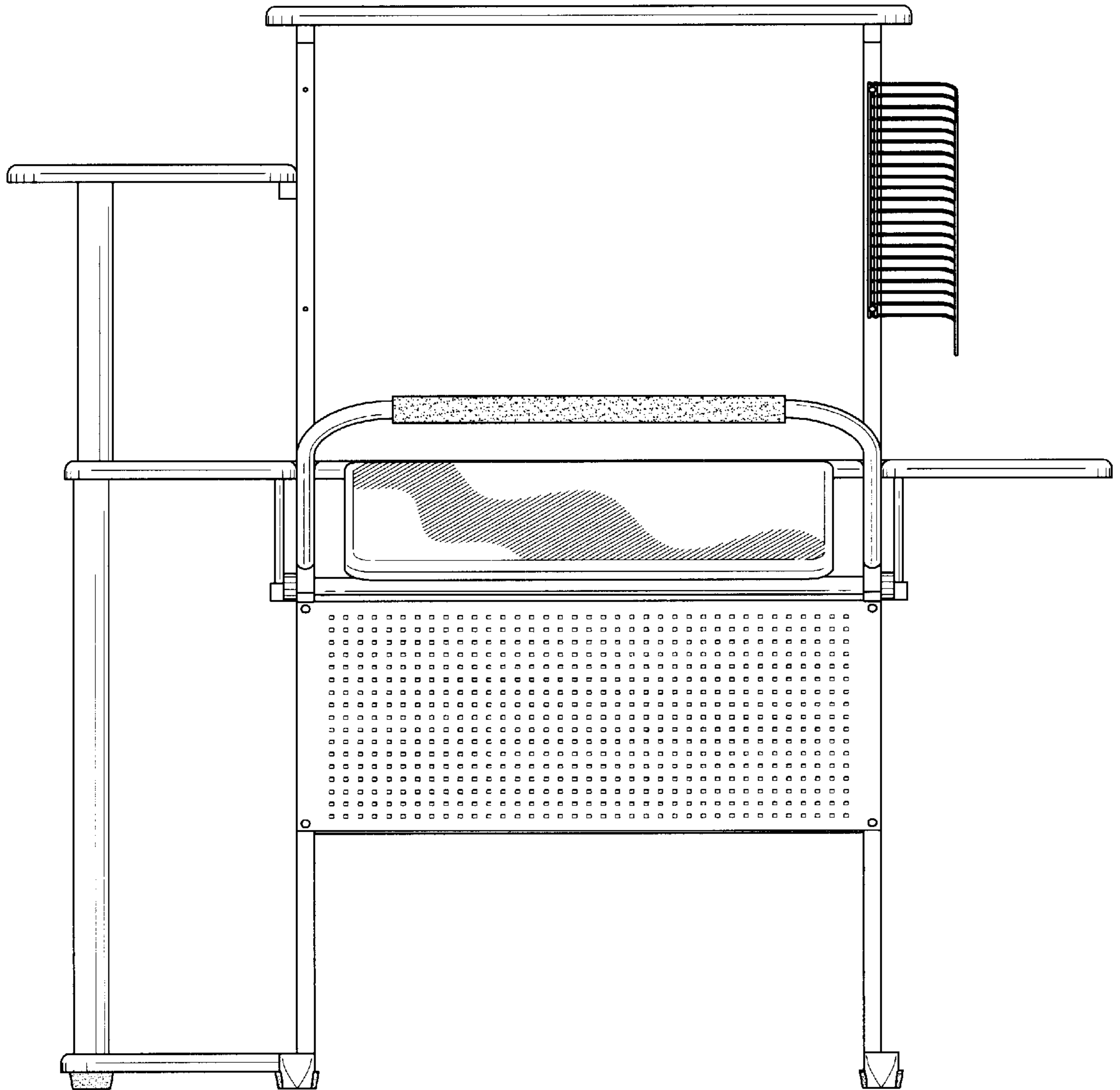


FIG. 3

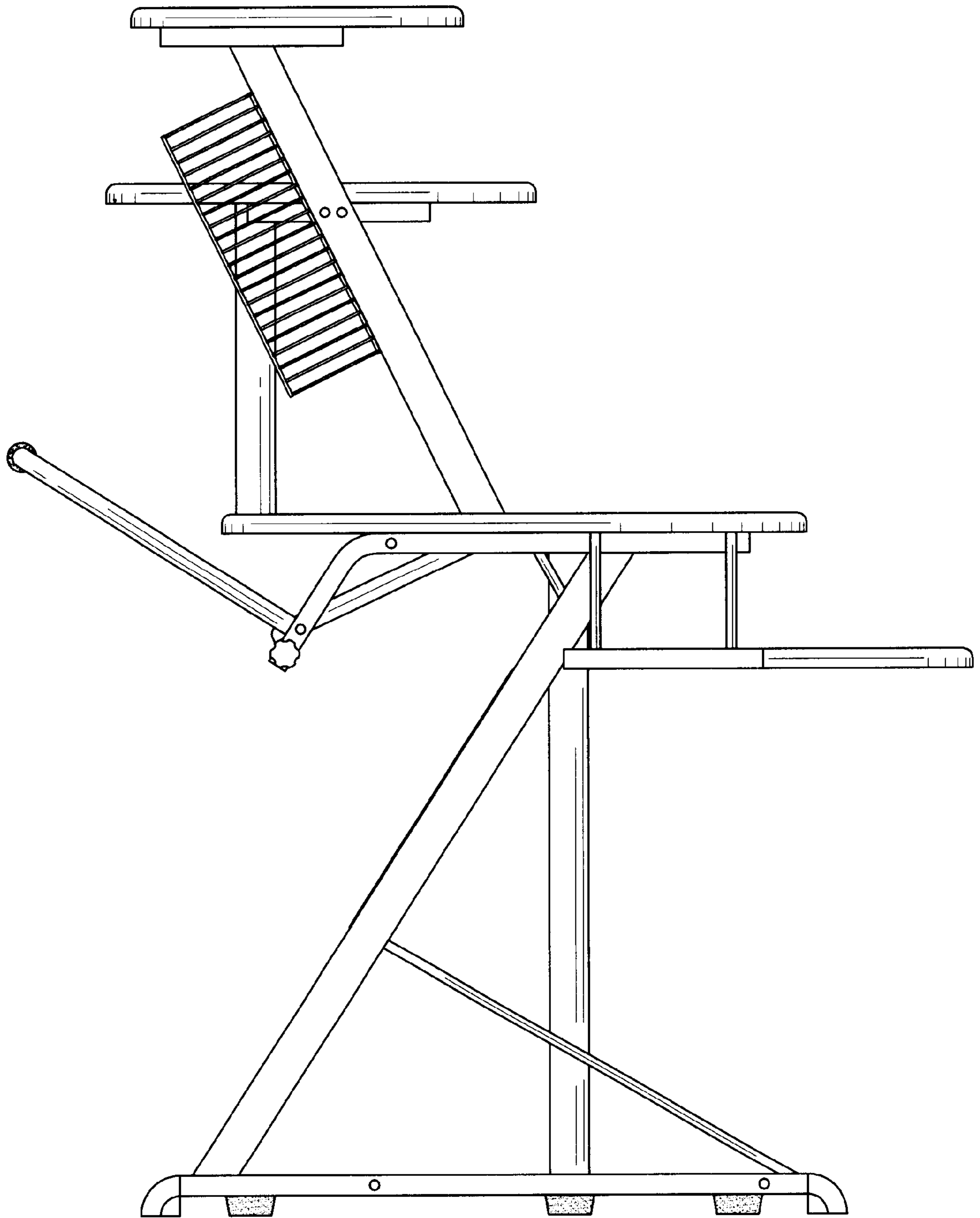


FIG. 4

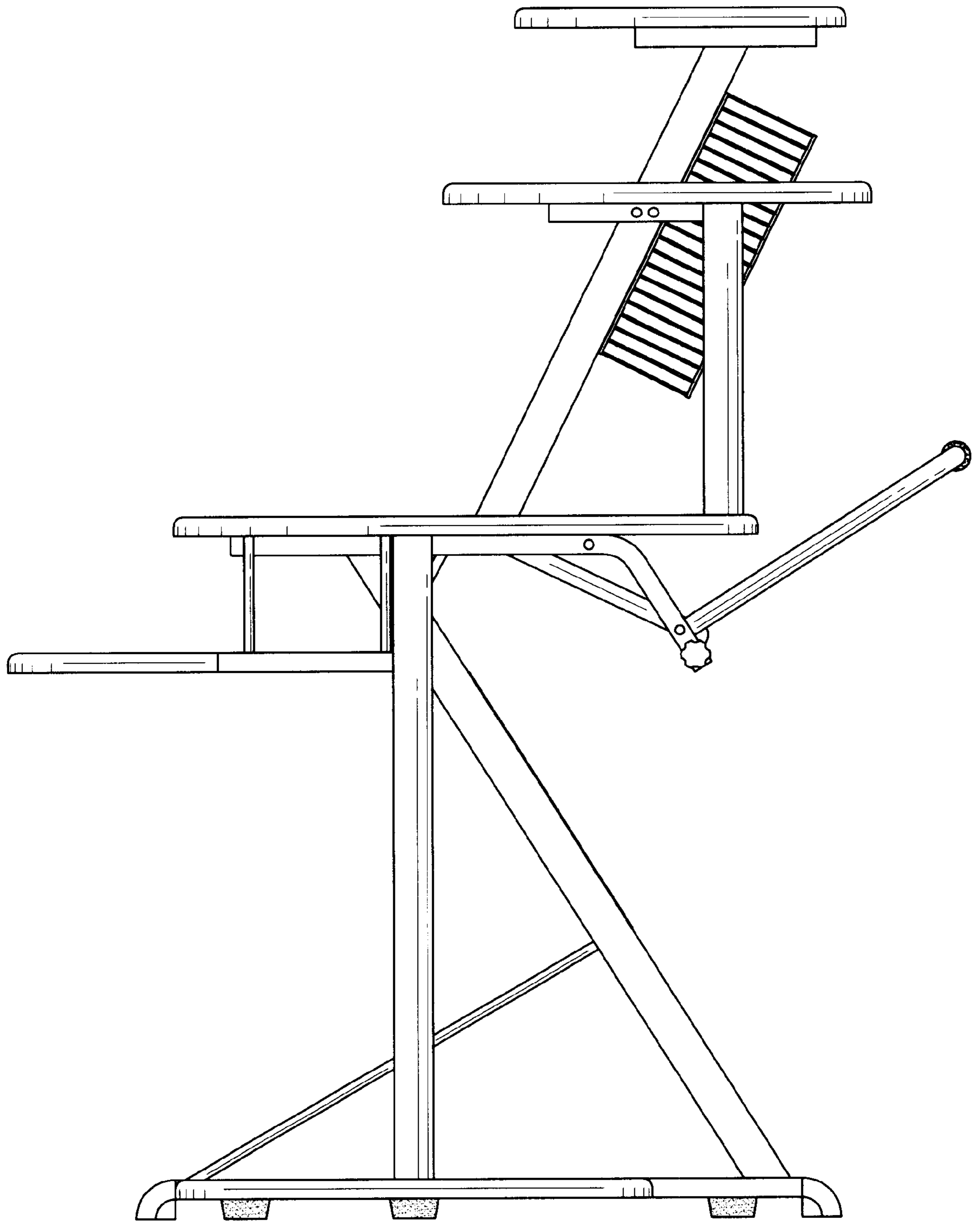


FIG. 5

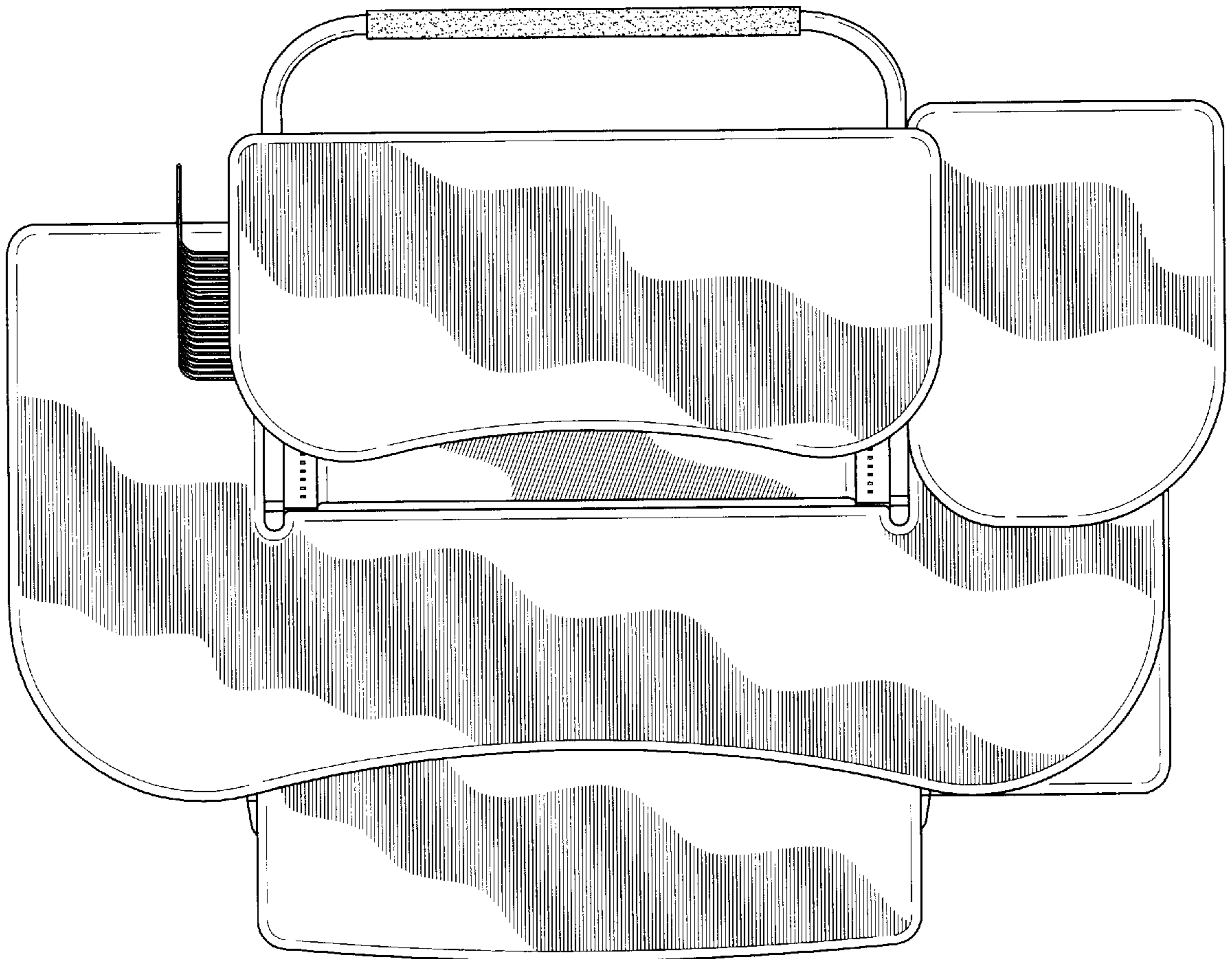


FIG. 6

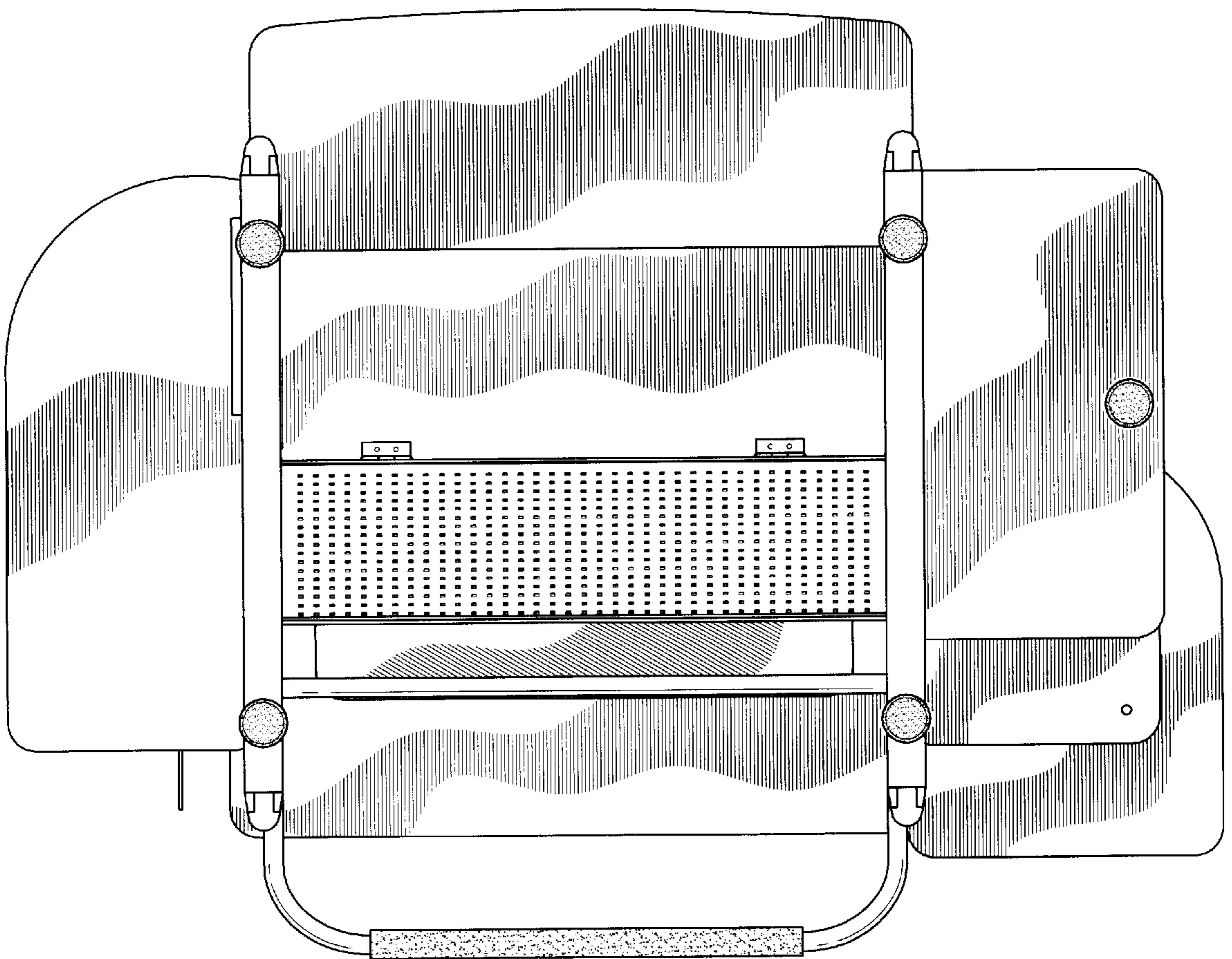


FIG. 7