



US00D464500S

(12) **United States Design Patent**  
**Roberts**

(10) **Patent No.:** **US D464,500 S**

(45) **Date of Patent:** **\*\* Oct. 22, 2002**

(54) **DESK**

(75) Inventor: **Gary B. Roberts**, Solon, OH (US)

(73) Assignee: **G. B. Roberts LLC**, Oakwood Village, OH (US)

(\*\*) Term: **14 Years**

(21) Appl. No.: **29/132,537**

(22) Filed: **Nov. 10, 2000**

(51) **LOC (7) Cl.** ..... **06-04**

(52) **U.S. Cl.** ..... **D6/422; D6/484**

(58) **Field of Search** ..... D6/422-428, 484,  
D6/485, 480, 482; 312/194-196, 208.1;  
108/50.01, 50.02

(56) **References Cited**

**U.S. PATENT DOCUMENTS**

- D96,518 S \* 8/1935 Stevenson ..... D6/425
- D247,731 S \* 4/1978 Robinson ..... D6/422
- D327,789 S \* 7/1992 Caturla et al. .... D6/422

**OTHER PUBLICATIONS**

*American Art Deco* by Alistair Duncan, 1999.

\* cited by examiner

*Primary Examiner*—Janice E. Seeger

(74) *Attorney, Agent, or Firm*—Calfee, Halter & Griswold LLP

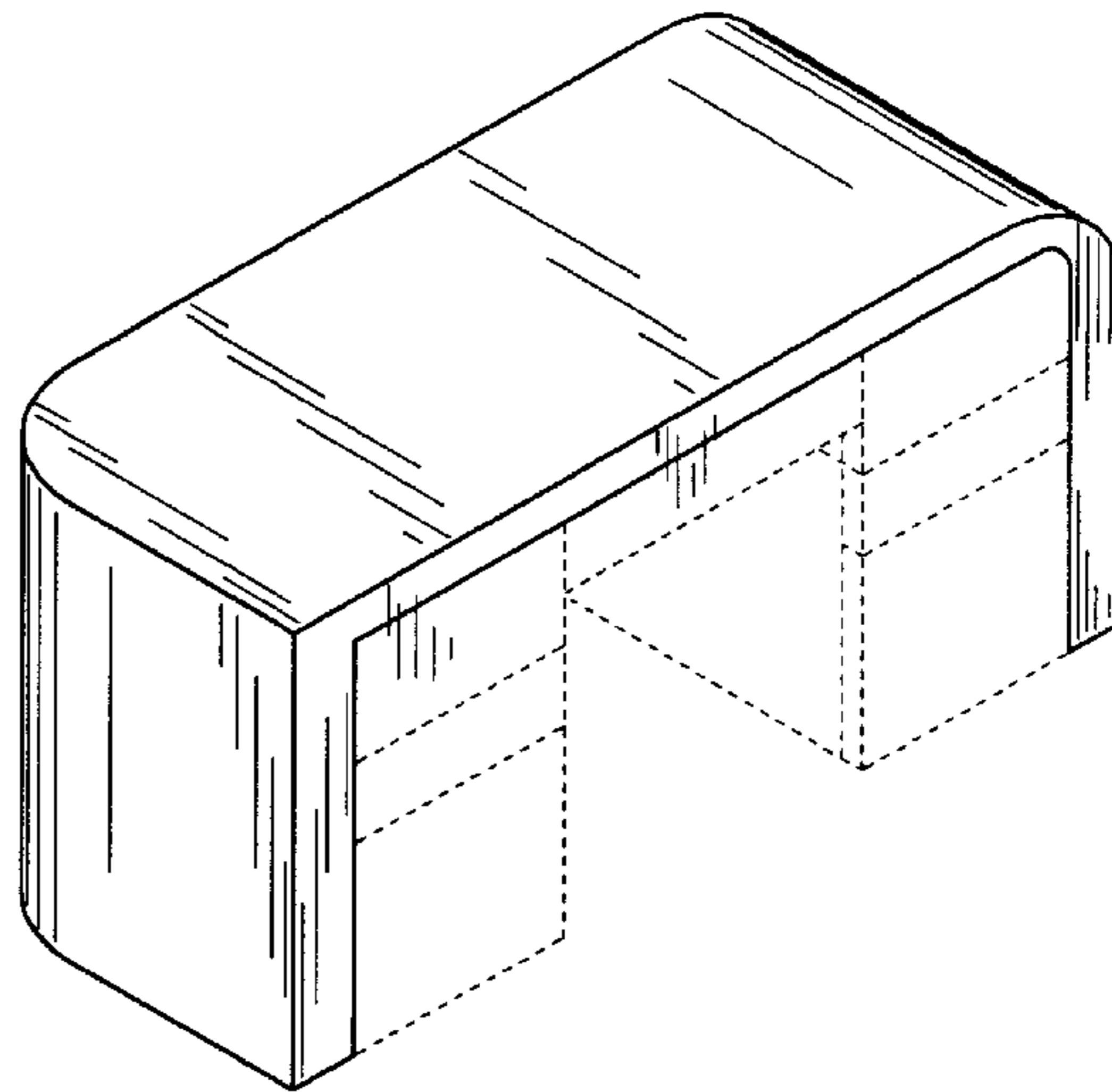
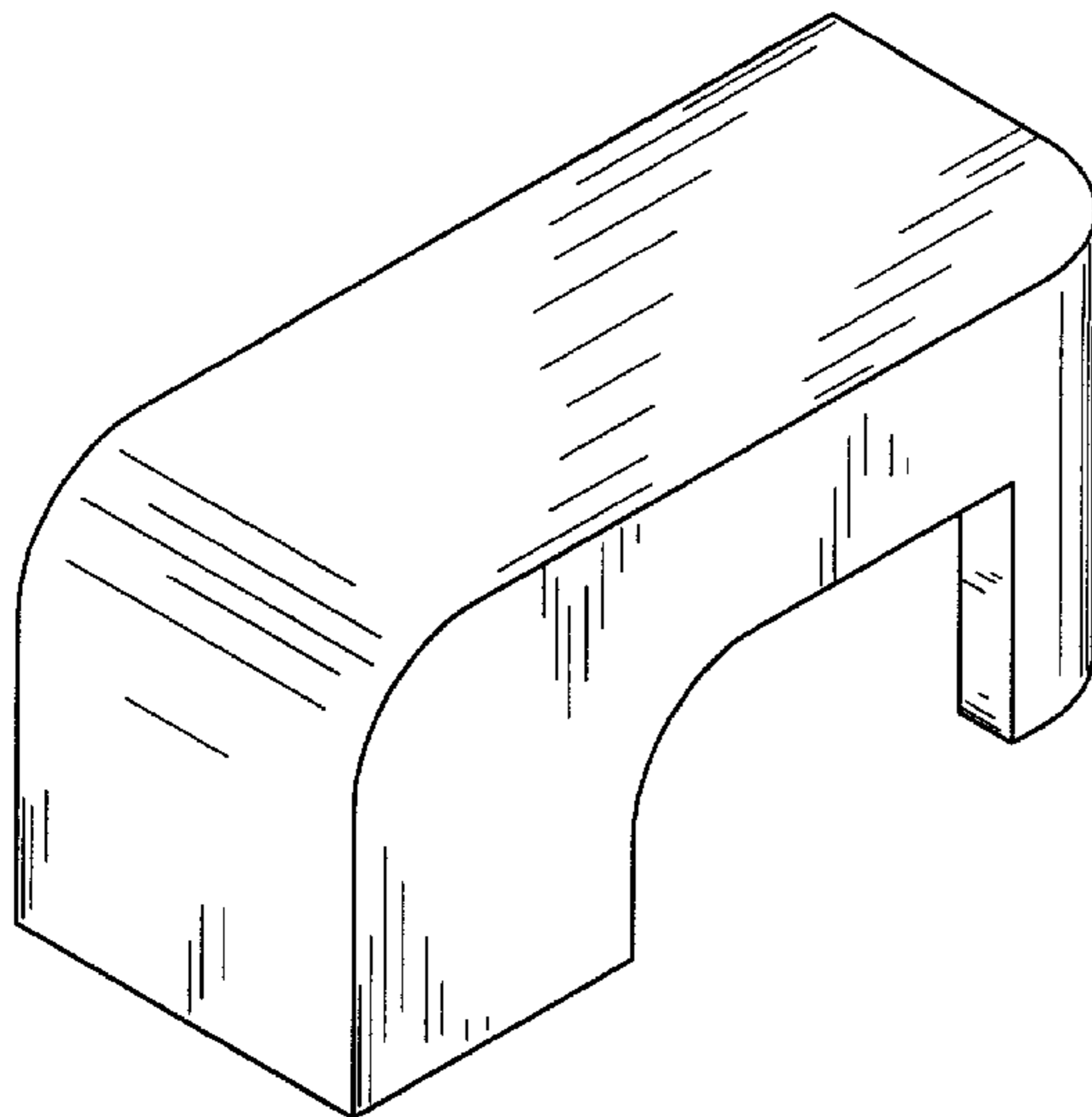
(57) **CLAIM**

The ornamental designs for a desk, as shown and described.

**DESCRIPTION**

FIG. 1 is a front perspective view of the desk.  
 FIG. 2 is a front elevational view of the desk.  
 FIG. 3 is a left side elevational view of the desk.  
 FIG. 4 is a top elevational view of the desk.  
 FIG. 5 is a rear perspective view of the desk.  
 FIG. 6 is a rear elevational view of the desk.  
 FIG. 7 is a right side elevational view of the desk; and,  
 FIG. 8 is a bottom elevational view of the desk.  
 The broken line showings in the drawings are for illustrative purposes only and form no part of the claimed design.

**1 Claim, 2 Drawing Sheets**



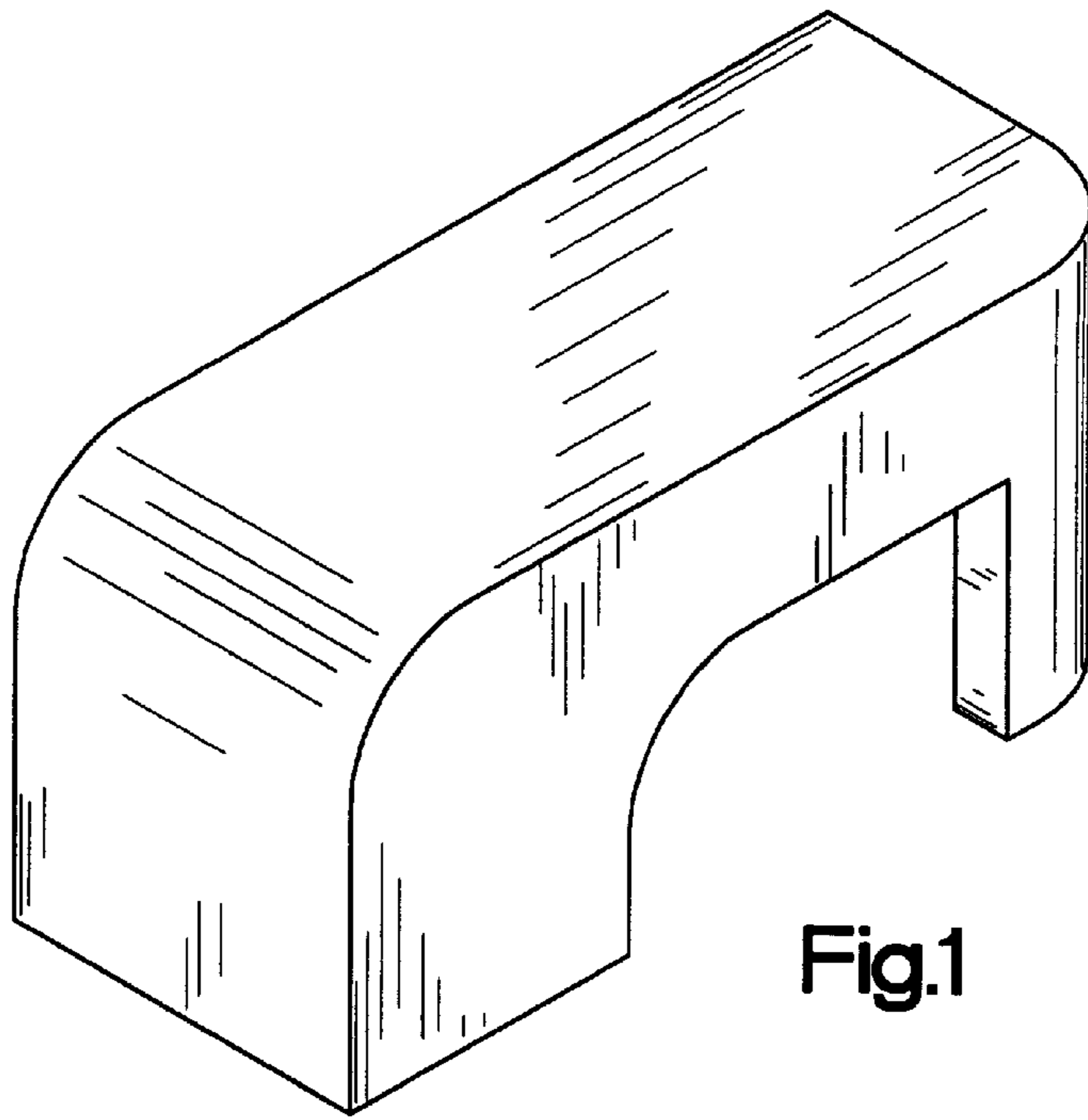


Fig.1

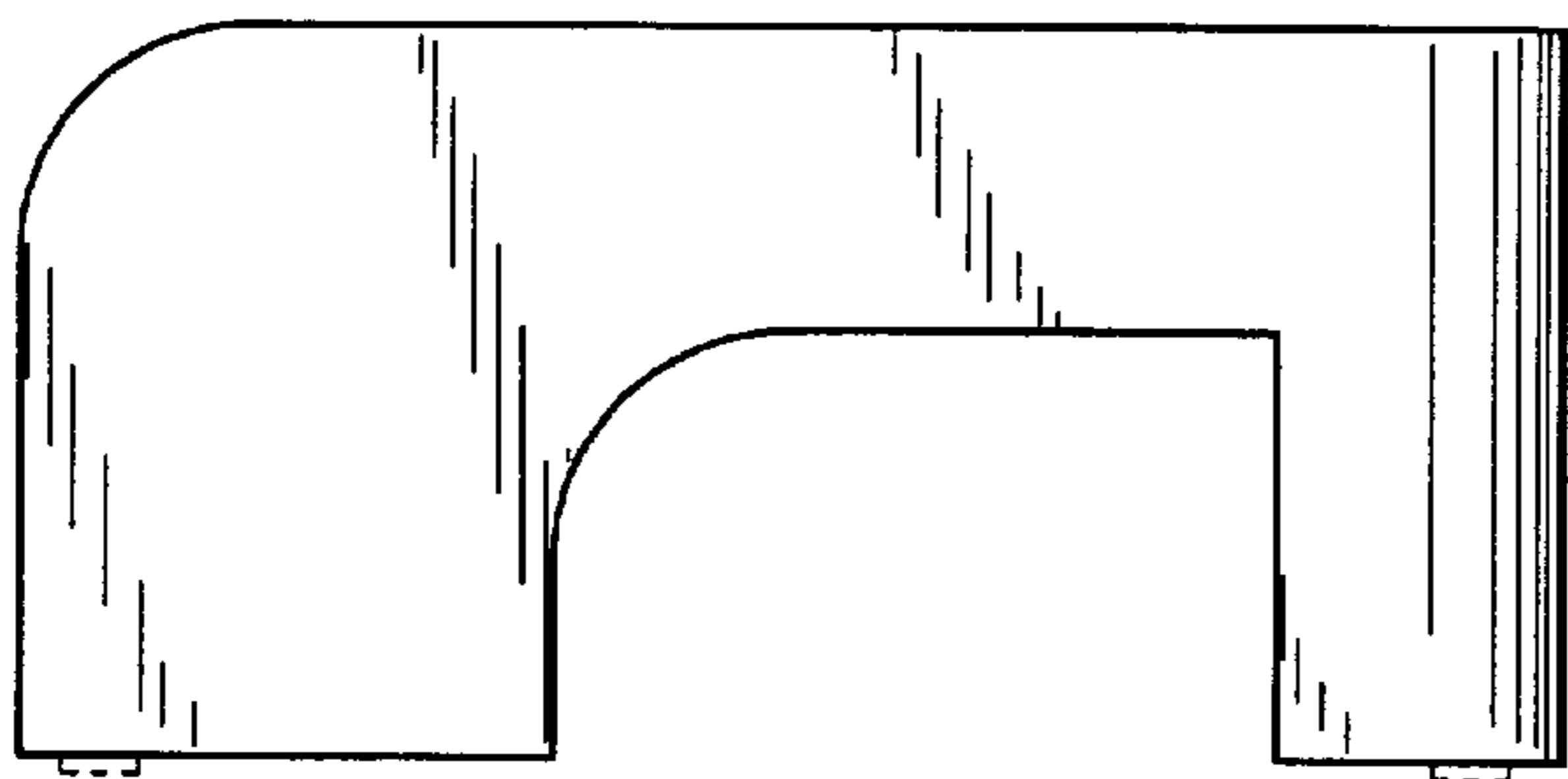


Fig.2

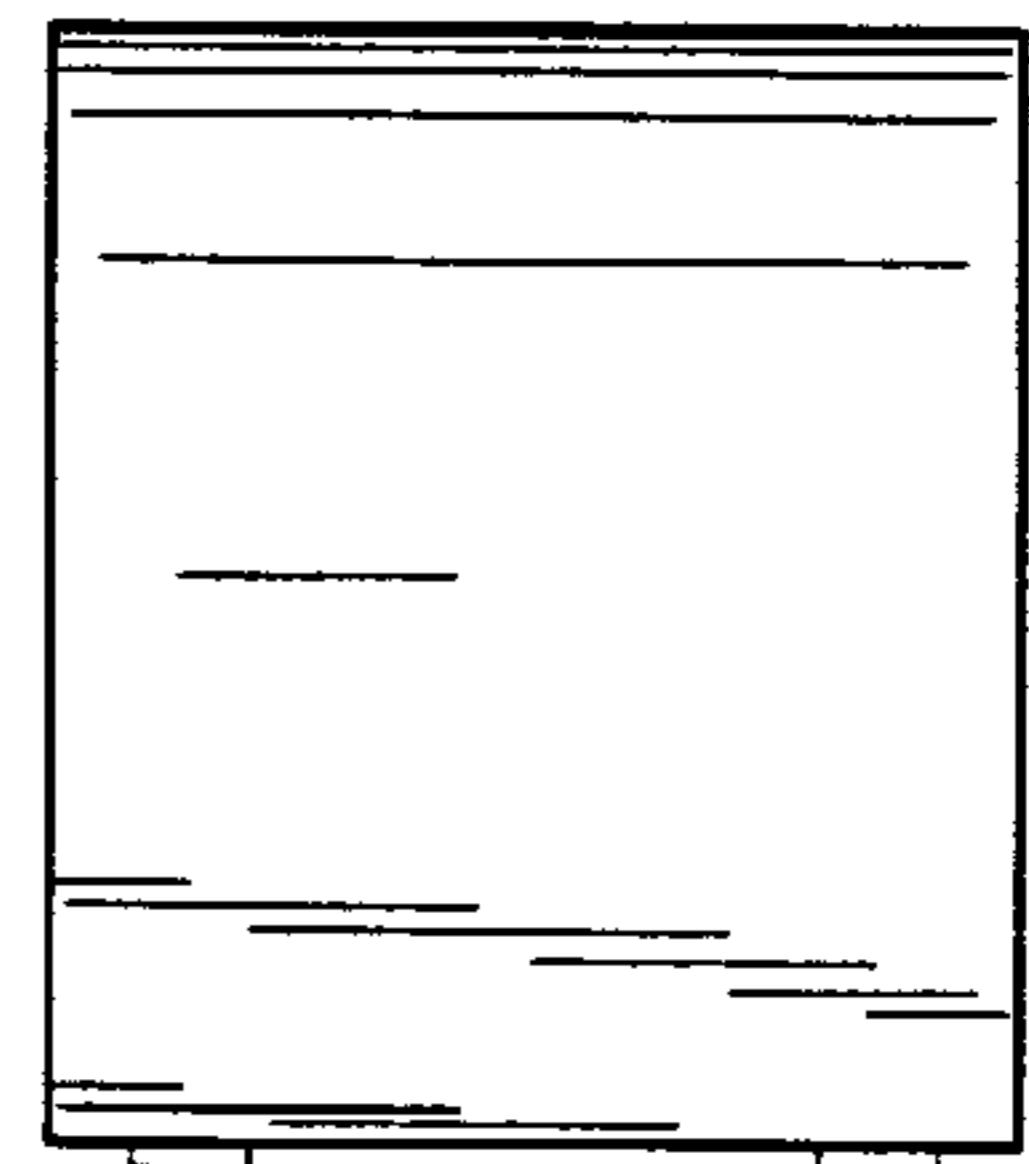


Fig.3

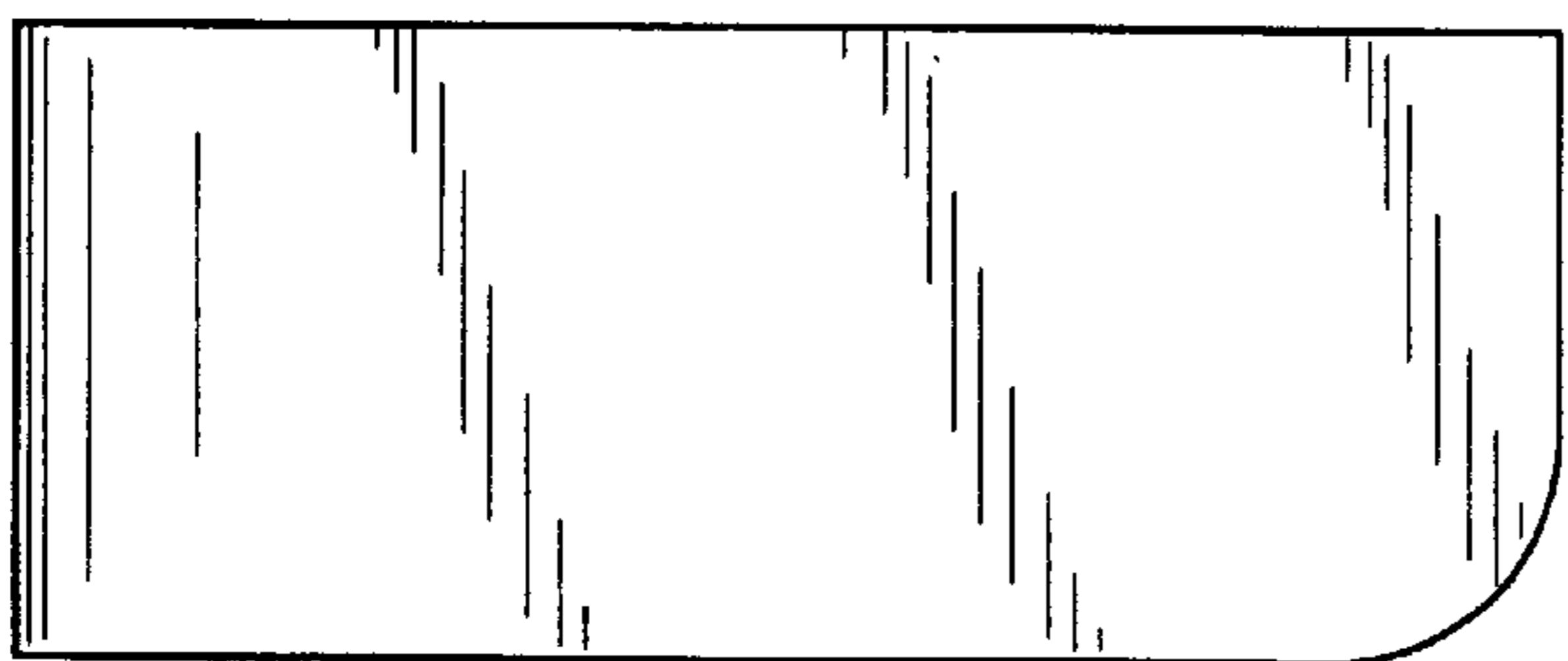


Fig.4

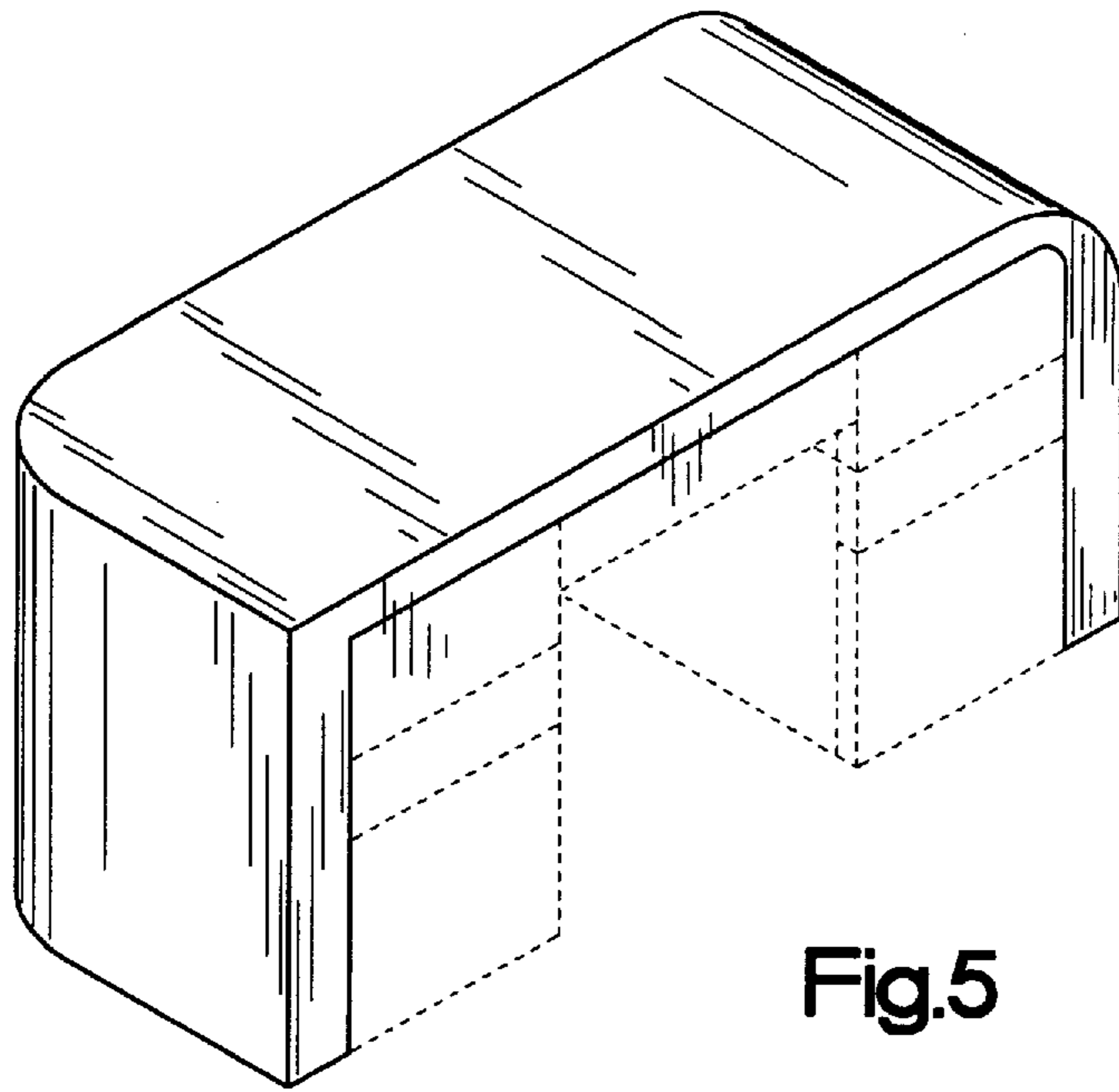


Fig.5

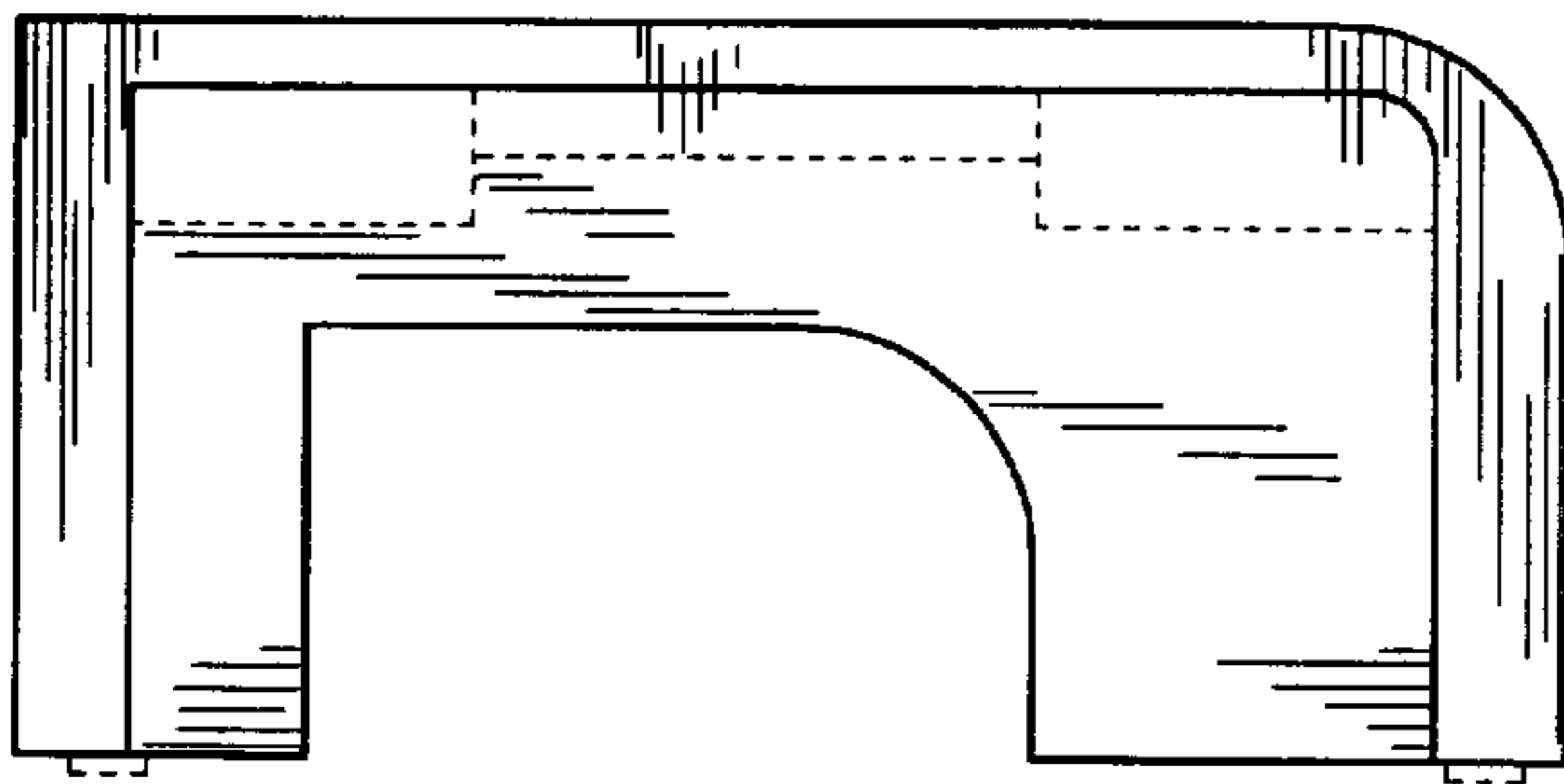


Fig.6

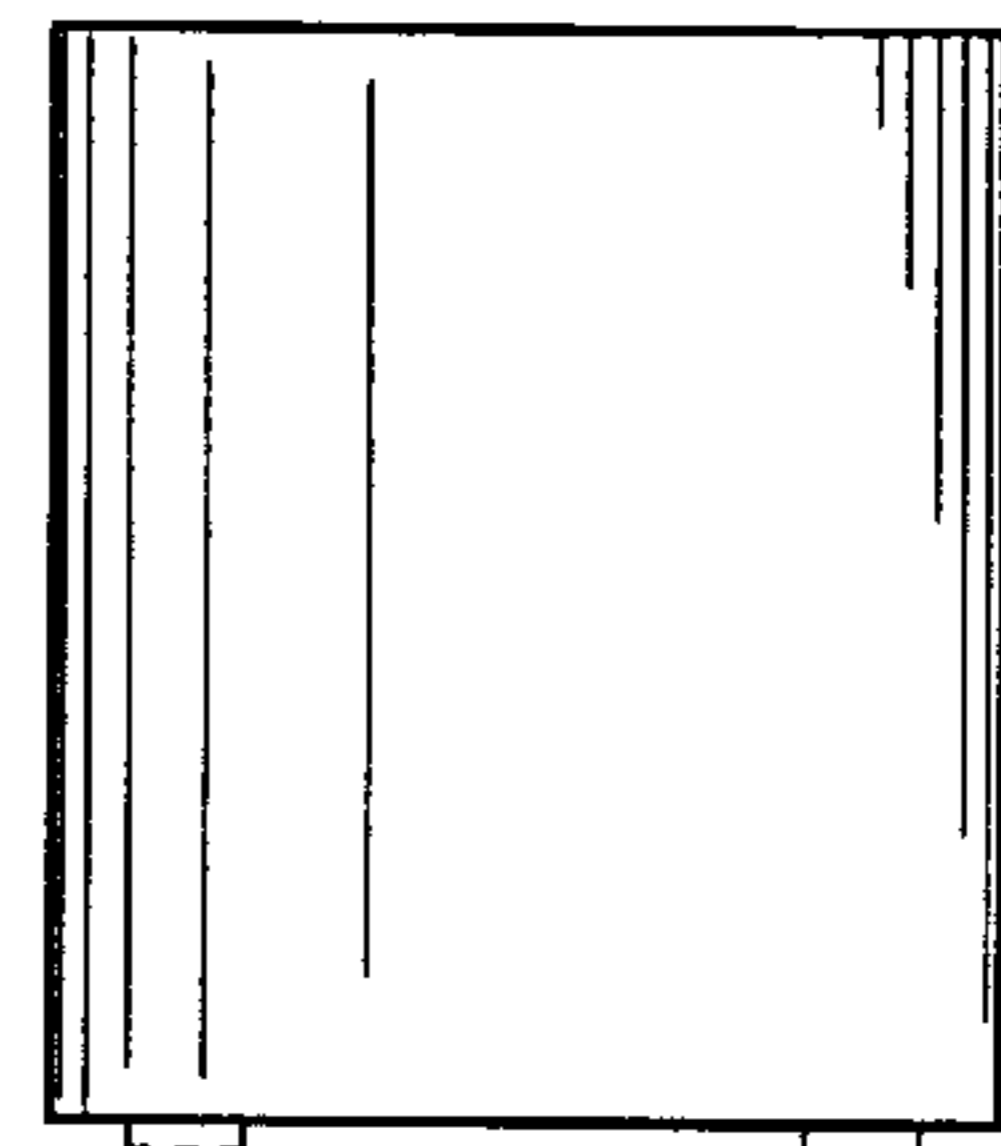


Fig.7

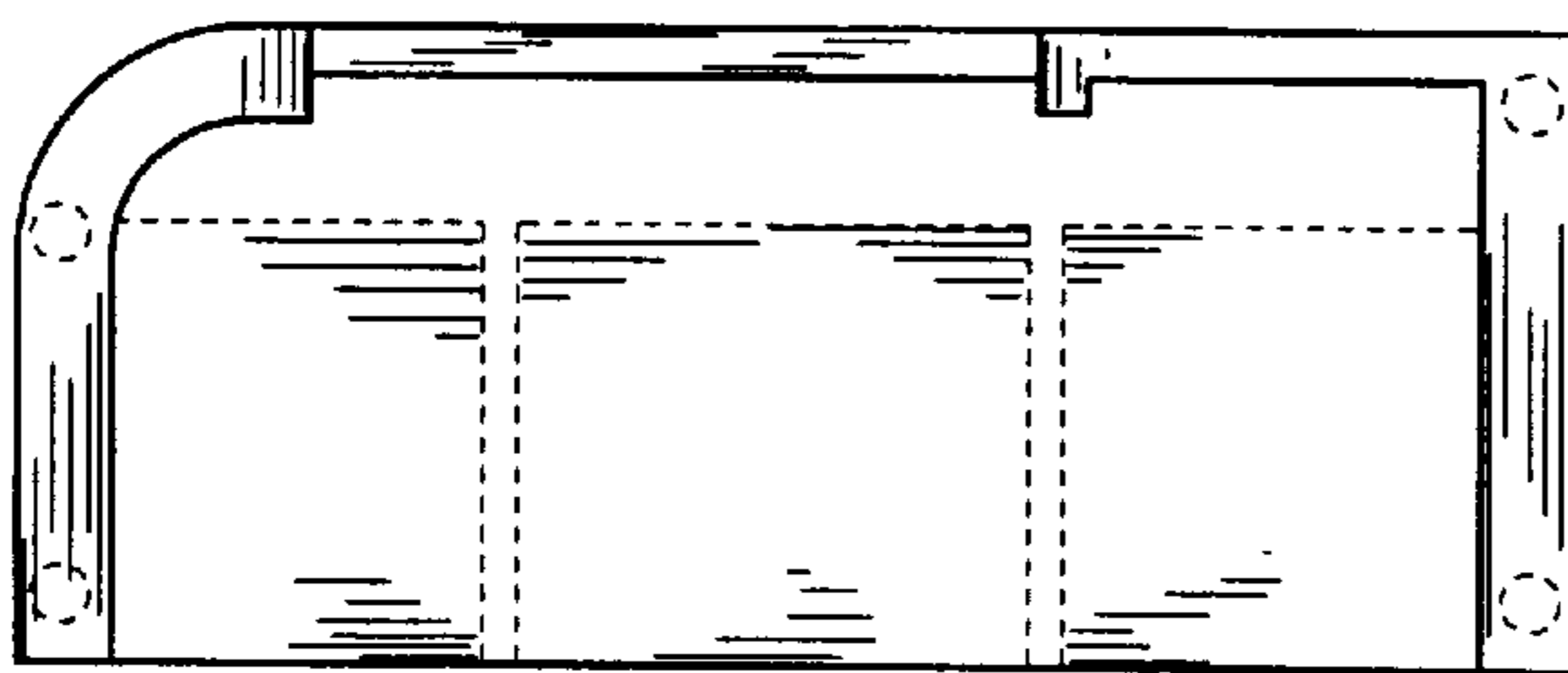


Fig.8