



US00D464499S

(12) **United States Design Patent**
Gharst

(10) **Patent No.:** **US D464,499 S**

(45) **Date of Patent:** **** Oct. 22, 2002**

(54) **UMBRELLA STAND**

5,271,196 A * 12/1993 Fanti 52/166
D439,437 S * 3/2001 Crete D6/416

(76) Inventor: **Gregory Gharst**, 14860 Deerwood St.,
Poway, CA (US) 92064

* cited by examiner

(**) Term: **14 Years**

Primary Examiner—Cathron C. Brooks
(74) *Attorney, Agent, or Firm*—Gary L. Eastman

(21) Appl. No.: **29/145,226**

(57) **CLAIM**

(22) Filed: **Dec. 4, 2000**

The ornamental design for an umbrella stand, as shown.

(51) **LOC (7) Cl.** **06-04**

DESCRIPTION

(52) **U.S. Cl.** **D6/416**

(58) **Field of Search** D6/449, 455, 457,
D6/466, 470, 471, 472, 475, 416, 417;
312/107, 114, 117, 138.1, 204, 234; D3/10;
248/156; 52/165, 166

FIG. 1 is a perspective view of an umbrella stand showing
my new design;

FIG. 2 is a left side view thereof;

FIG. 3 is a right side view thereof;

FIG. 4 is a front view thereof;

FIG. 5 is a back view thereof;

FIG. 6 is a top view thereof; and,

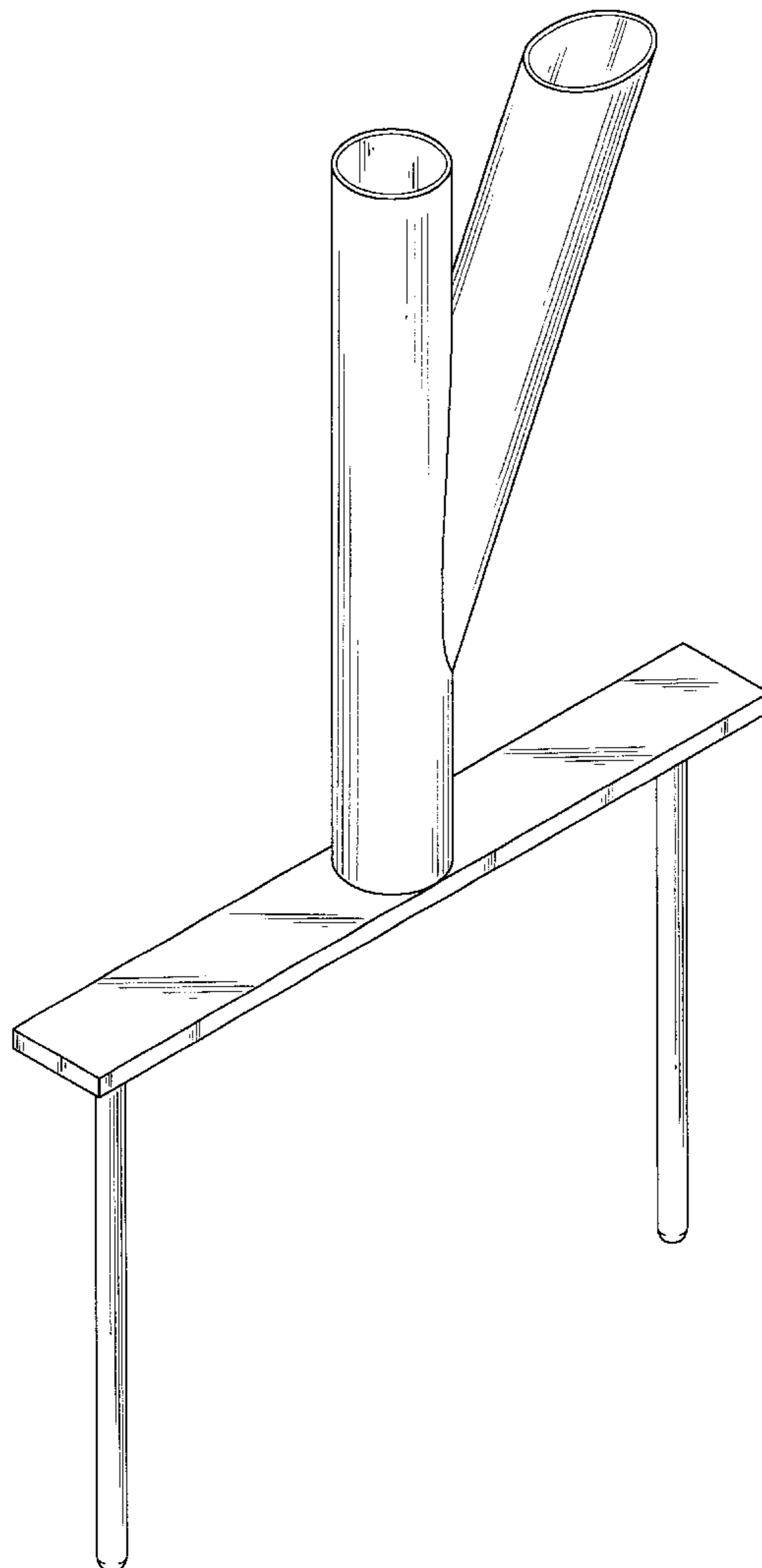
FIG. 7 is a bottom view thereof.

(56) **References Cited**

U.S. PATENT DOCUMENTS

2,554,887 A * 5/1951 Tricarico 248/156
4,753,411 A * 6/1988 Lechner et al. 248/533
4,913,389 A * 4/1990 McCracken 248/156

1 Claim, 4 Drawing Sheets



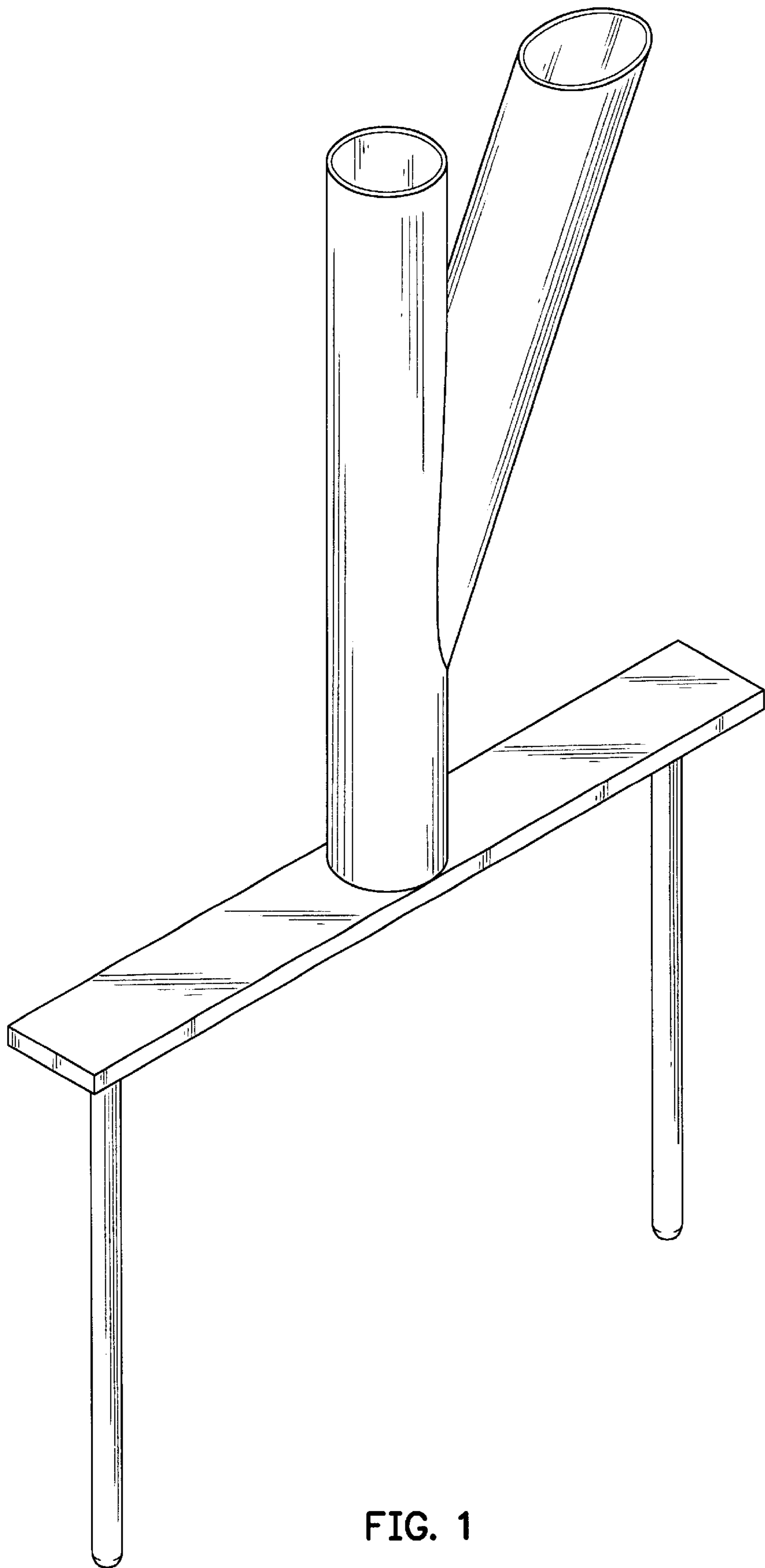


FIG. 1

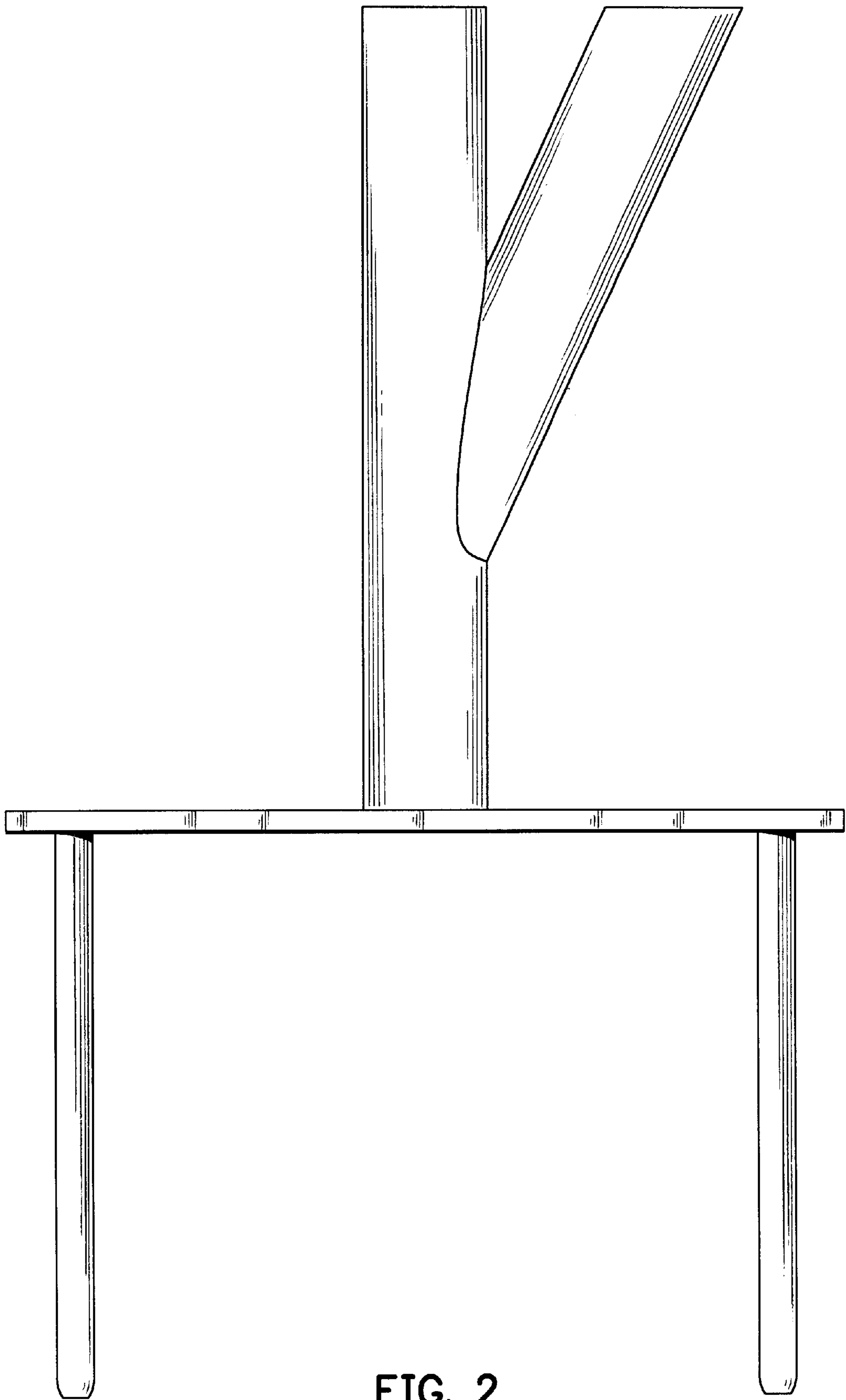


FIG. 2

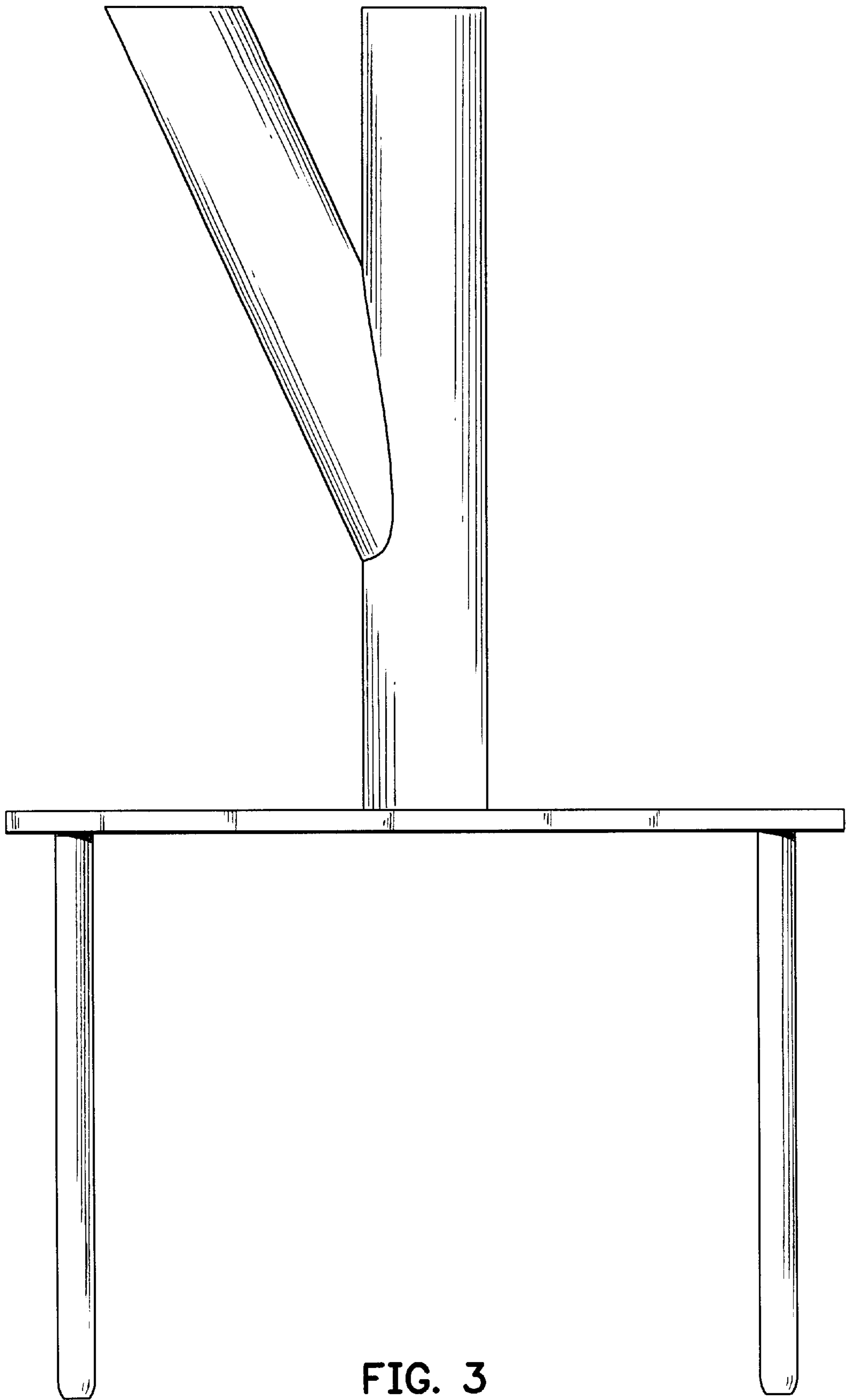


FIG. 3

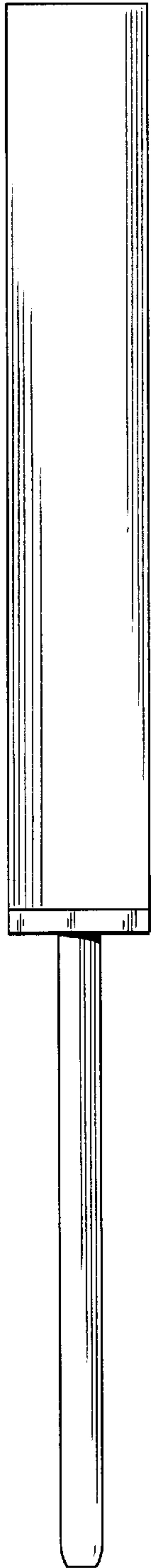


FIG. 4

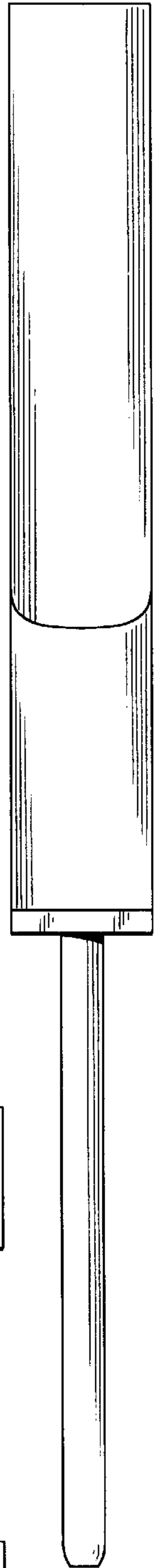


FIG. 5

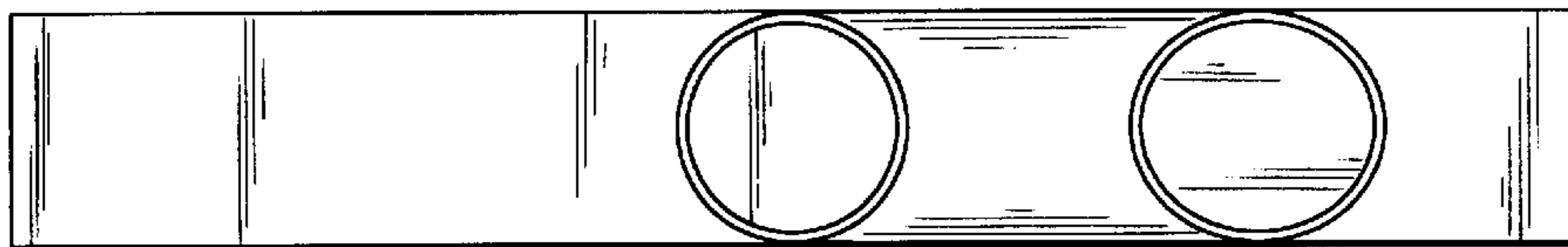


FIG. 6

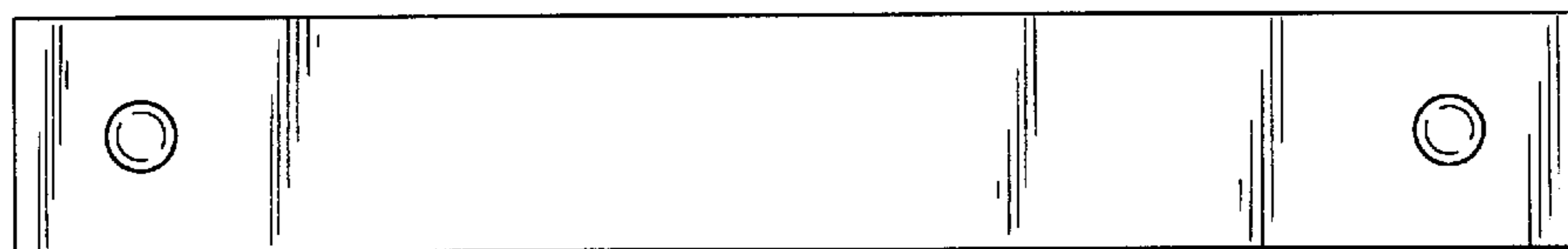


FIG. 7