



US00D464496S

(12) **United States Design Patent**
Berry, Jr. et al.

(10) **Patent No.:** **US D464,496 S**

(45) **Date of Patent:** **** Oct. 22, 2002**

(54) **BED**

D451,696 S * 12/2001 Boerner et al. D6/393

* cited by examiner

(76) **Inventors:** **Richard D. Berry, Jr.**, 5665 Grace
Chapel Rd., Hickory, NC (US) 28601;
David A. Clark, 2101 Mirow Pl.,
Charlotte, NC (US) 28270

Primary Examiner—Janice E. Seeger
(74) *Attorney, Agent, or Firm*—Brown Raysman Millstein
Felder & Steiner LLP

(**) **Term:** **14 Years**

(57) **CLAIM**

The ornamental design for a bed, as shown and described.

(21) **Appl. No.:** **29/143,051**

DESCRIPTION

(22) **Filed:** **Jun. 6, 2001**

A portion of the disclosure of this patent document contains material which is subject to copyright protection. The copyright owner has no objection to the facsimile reproduction by anyone of the patent document or the patent disclosure, as it appears in the Patent and Trademark Office files or records, but otherwise reserves all copyright rights whatsoever.

(51) **LOC (7) Cl.** **06-01**

(52) **U.S. Cl.** **D6/393**

(58) **Field of Search** D6/382-384, 392-395;
5/2.1, 53.1, 279.1, 280, 281, 907

FIG. 1 is a front perspective view of the new design;
FIG. 2 is a side view thereof, the other side view is identical and therefore not shown; and,
FIG. 3 is a top perspective view thereof.

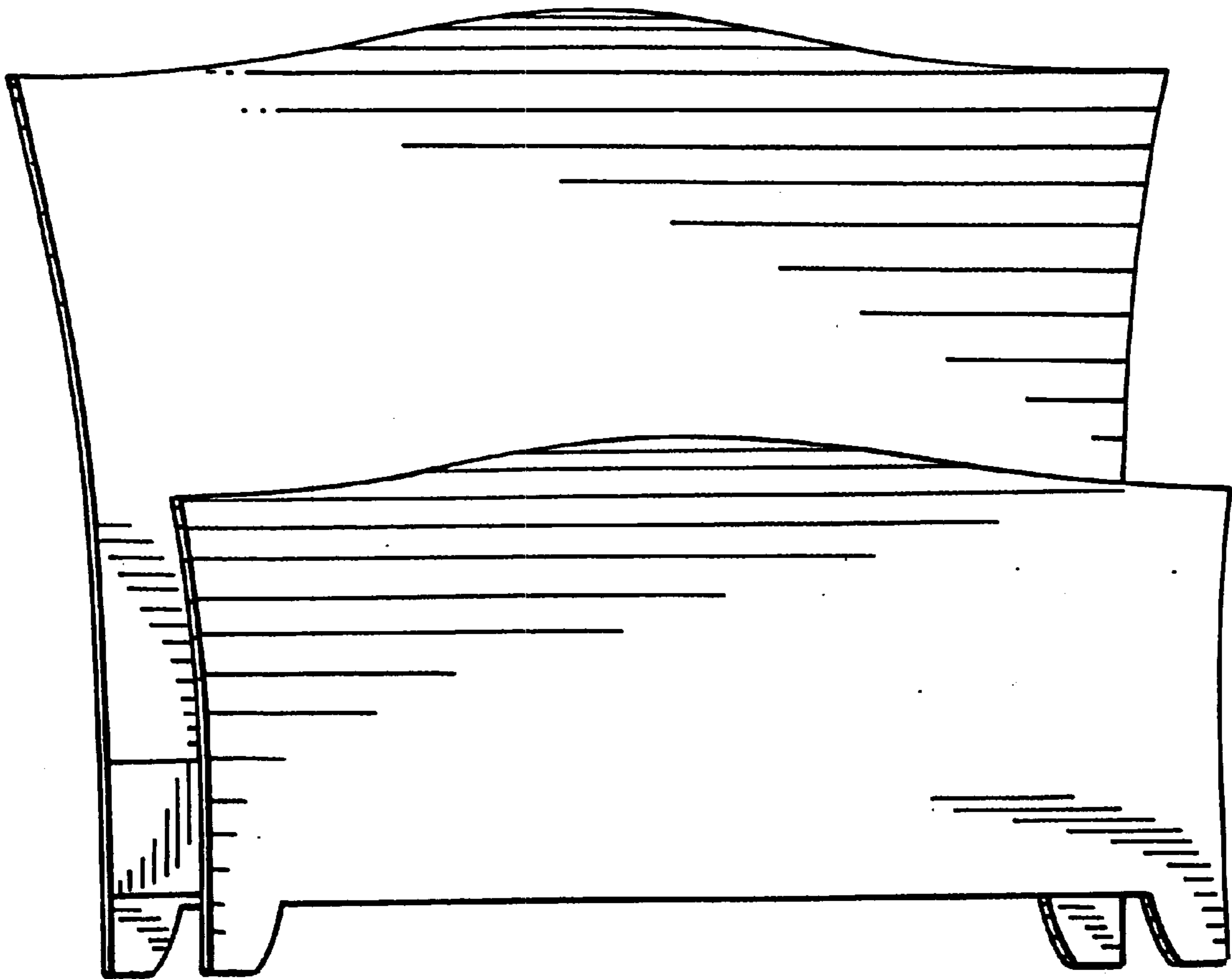
(56) **References Cited**

The bottom and back are not part of the ornamental design and are therefore not shown.

U.S. PATENT DOCUMENTS

- D165,074 S * 11/1951 Herrmann D6/393
- D390,374 S * 2/1998 Hutton D6/393
- D406,200 S * 3/1999 Lintvedt D6/393
- D413,455 S * 9/1999 Lacroix et al. D6/393

1 Claim, 3 Drawing Sheets



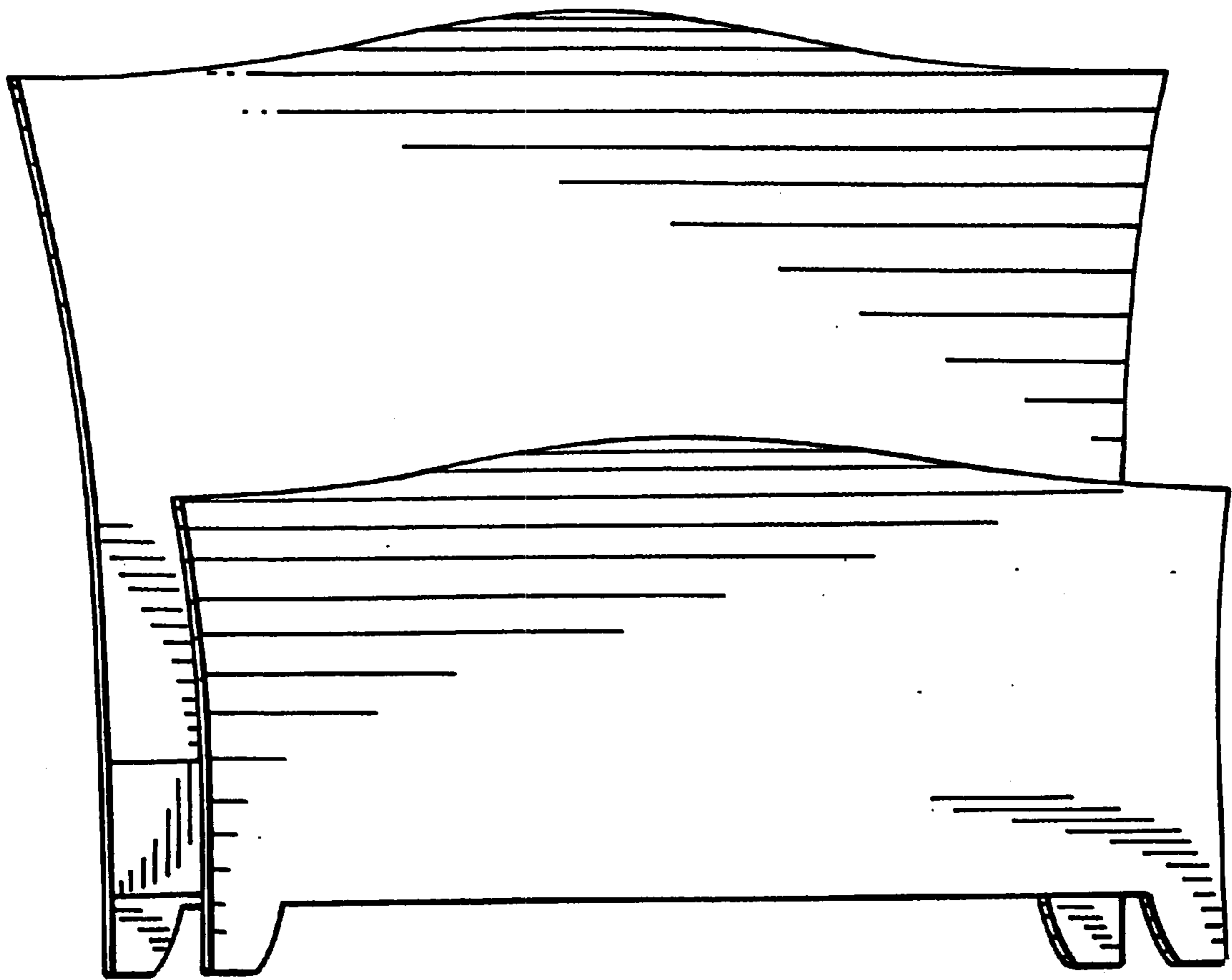


FIG. 1

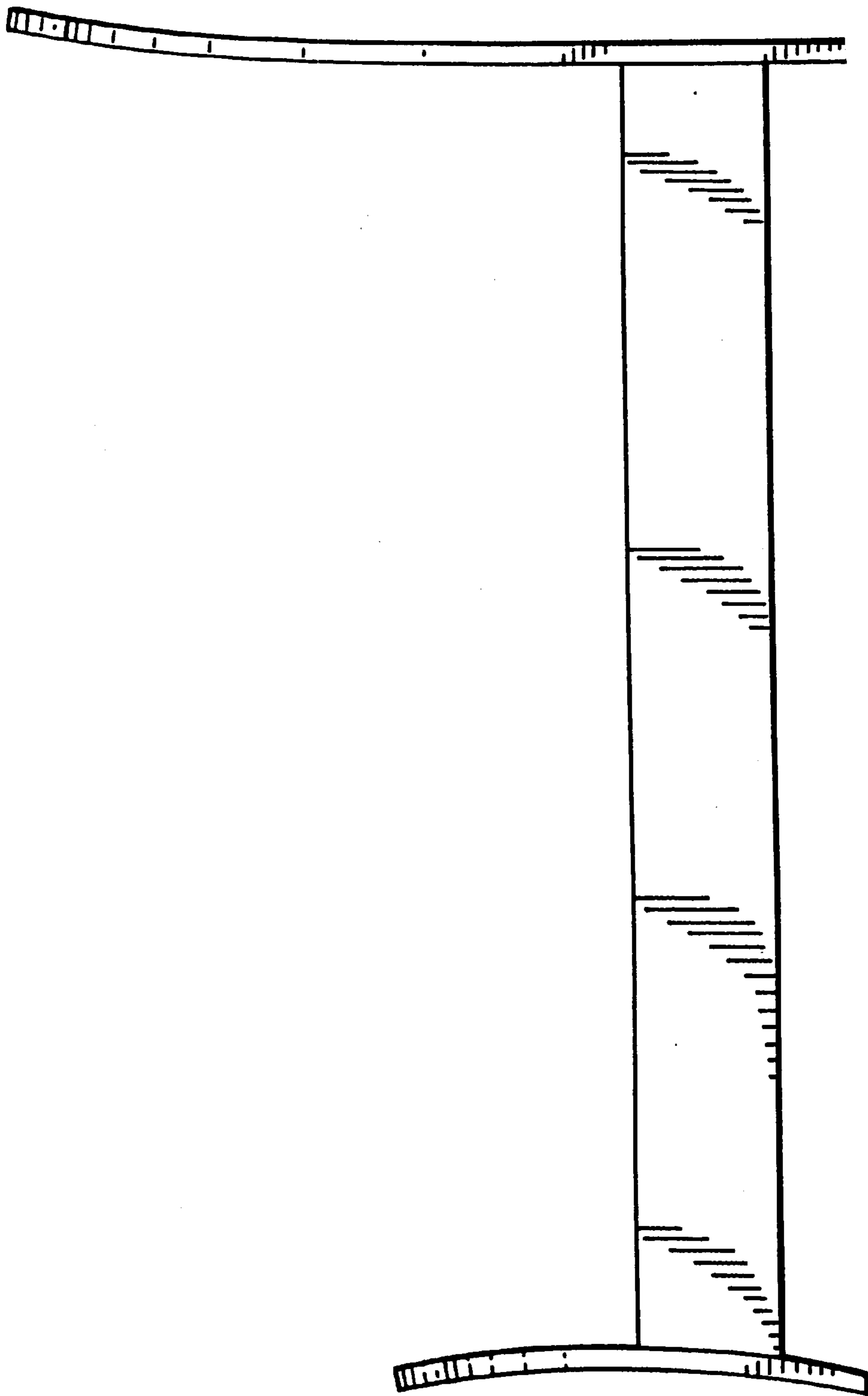


FIG. 2

FIG. 3

