



US00D464495S

(12) **United States Design Patent**
Chu

(10) **Patent No.:** **US D464,495 S**

(45) **Date of Patent:** **** Oct. 22, 2002**

(54) **CHAIR**

D423,805 S * 5/2000 Olson D6/374 X

(75) Inventor: **Zoocy C. Chu**, Ada, MI (US)

OTHER PUBLICATIONS

(73) Assignee: **Oasyschair Co. Ltd.**, Tainan Hsien (TW)

KI Brochure, Chair shown, ©2000.*

(**) Term: **14 Years**

* cited by examiner

(21) Appl. No.: **29/153,432**

Primary Examiner—Gary D. Watson

(22) Filed: **Jan. 8, 2002**

(74) *Attorney, Agent, or Firm*—Alan Kamrath; Rider, Bennett, Egan & Arundel, LLP

(51) **LOC (7) Cl.** **06-01**

(52) **U.S. Cl.** **D6/374; D6/375**

(58) **Field of Search** D6/334, 374, 375, D6/379, 500, 501, 502; 297/445.1

(57) **CLAIM**

The ornamental design for a chair, as shown and described.

(56) **References Cited**

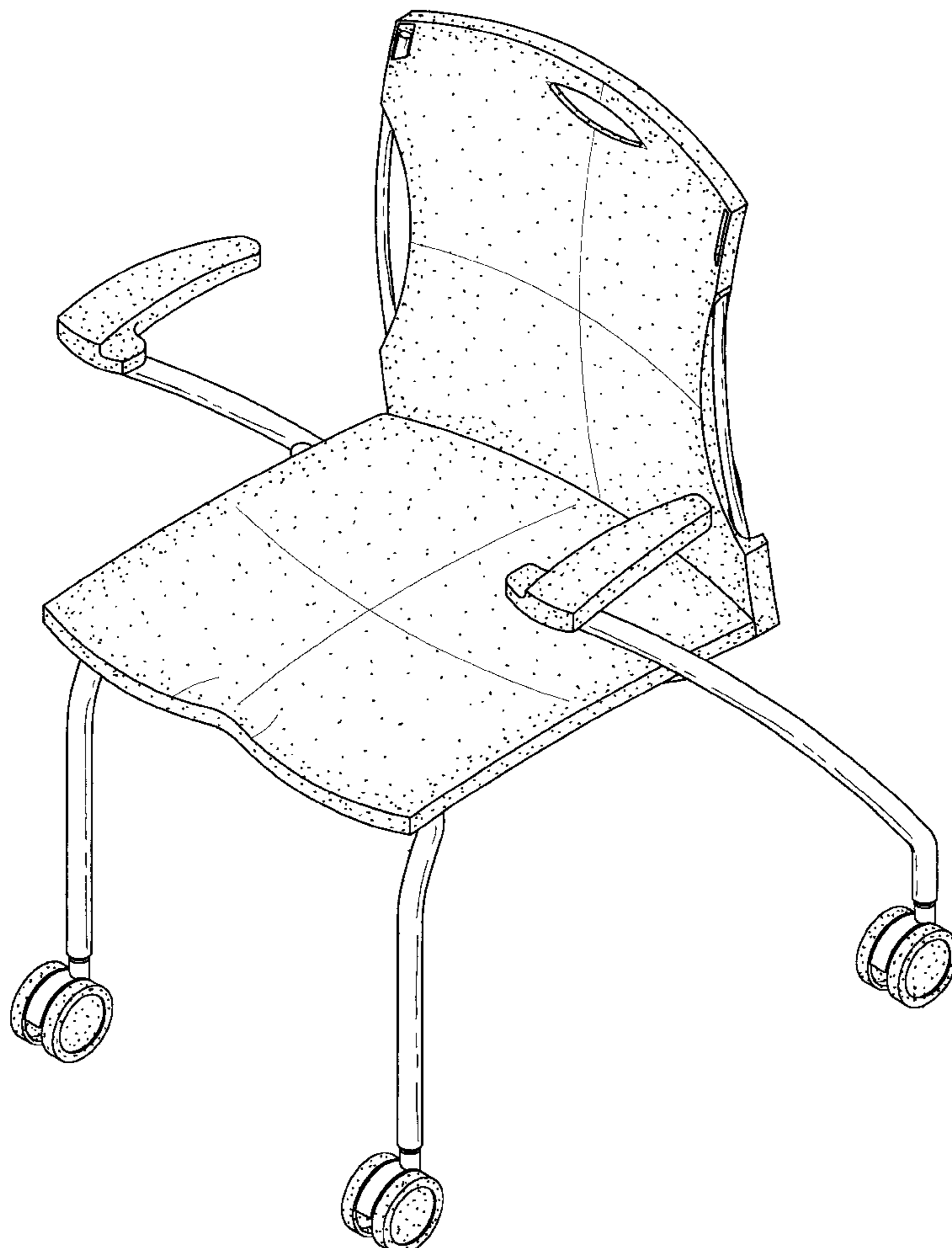
DESCRIPTION

U.S. PATENT DOCUMENTS

D164,619 S	*	9/1951	Bargen	D6/375
D258,480 S	*	3/1981	Rowland	D6/375
D346,502 S	*	5/1994	Ochsner	D6/379
D409,407 S	*	5/1999	Wang	D6/375
D422,158 S	*	4/2000	Newhouse	D6/375
D422,806 S	*	4/2000	Neil	D6/375

FIG. 1 is a perspective view of a chair showing my new design;
 FIG. 2 is a front elevational view thereof;
 FIG. 3 is a rear elevational view thereof;
 FIG. 4 is a left side elevational view, the right side view being a mirror image of the left side thereof;
 FIG. 5 is a top plan view thereof; and,
 FIG. 6 is a bottom plan view thereof.

1 Claim, 6 Drawing Sheets



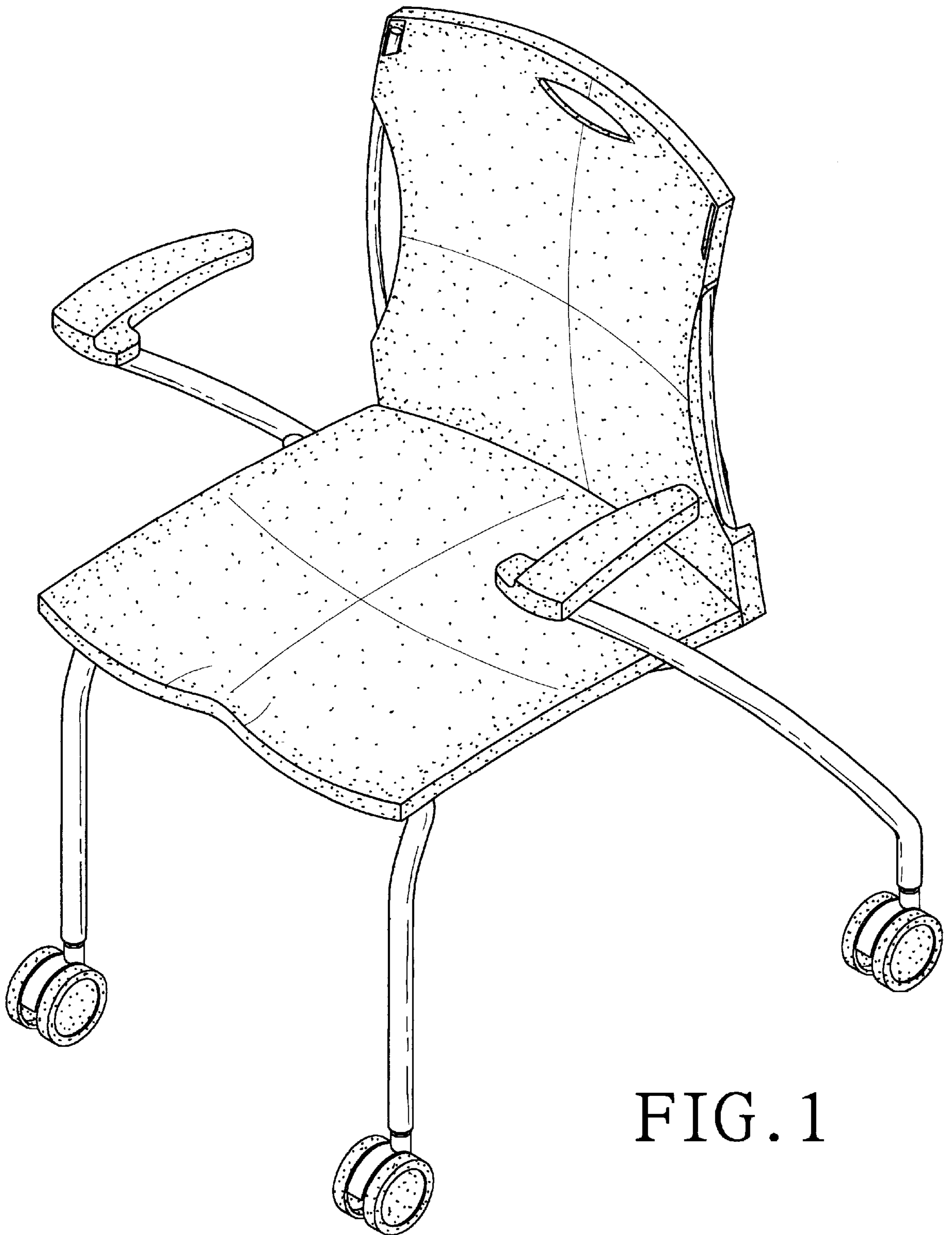


FIG. 1

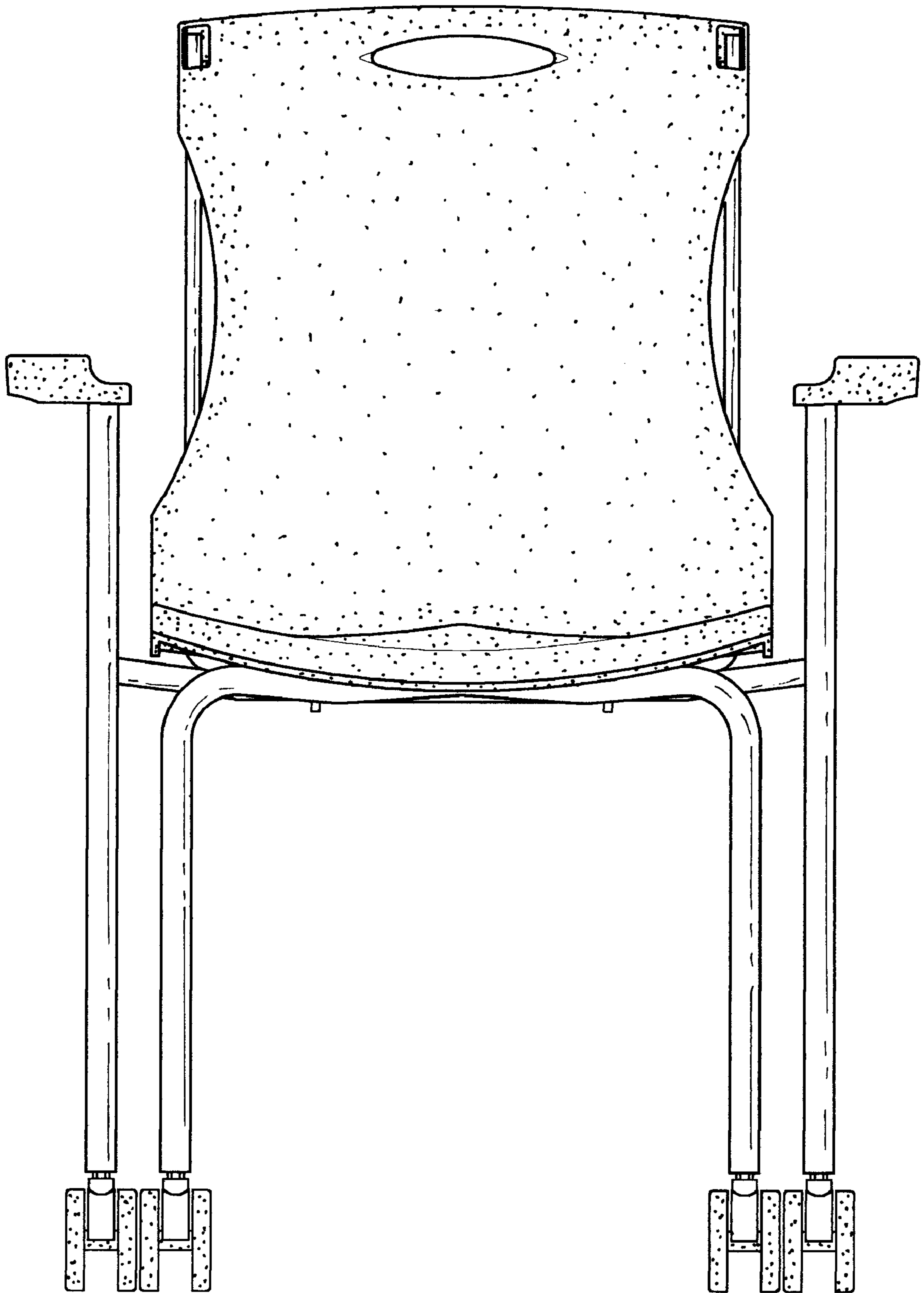


FIG. 2

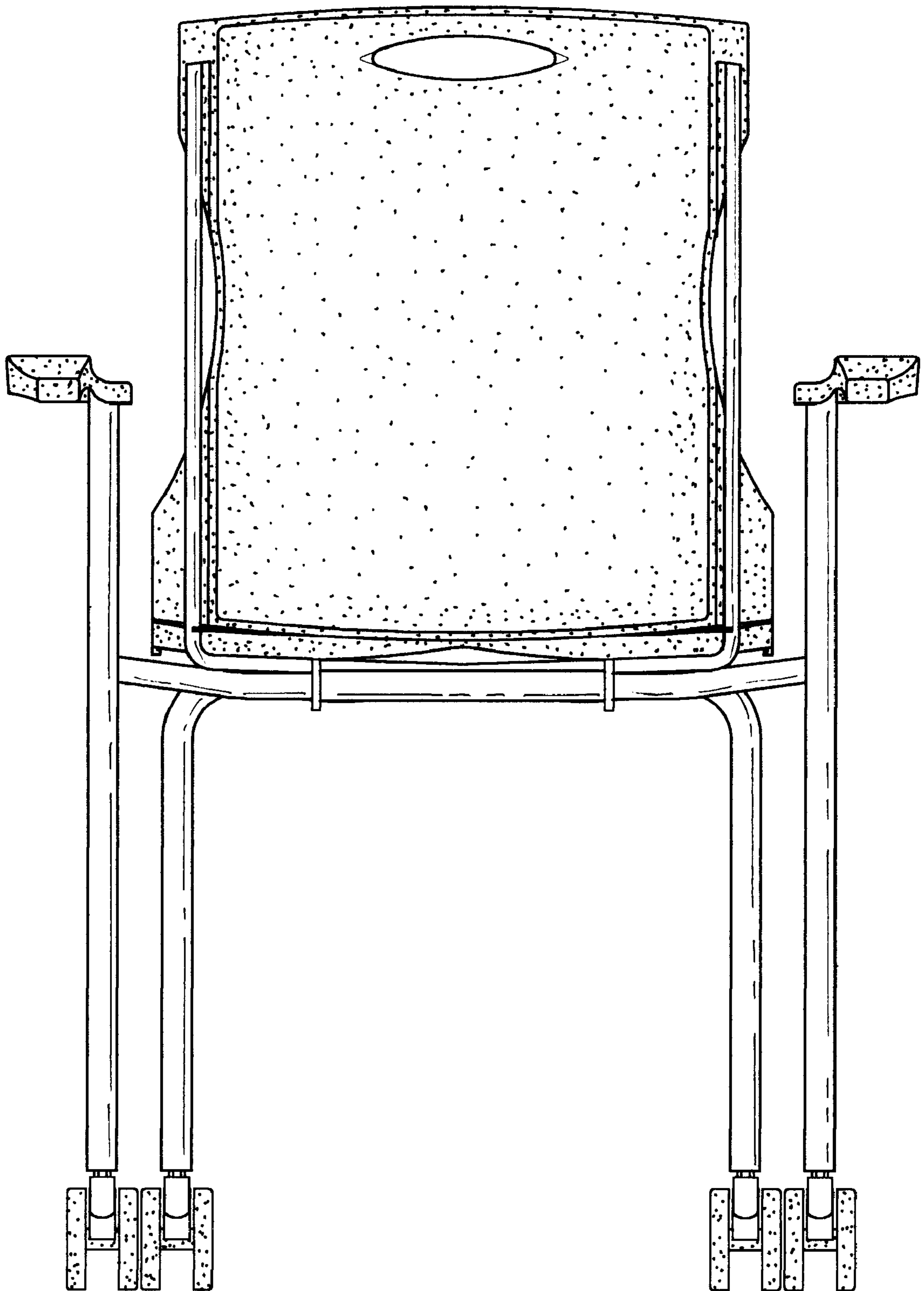


FIG. 3

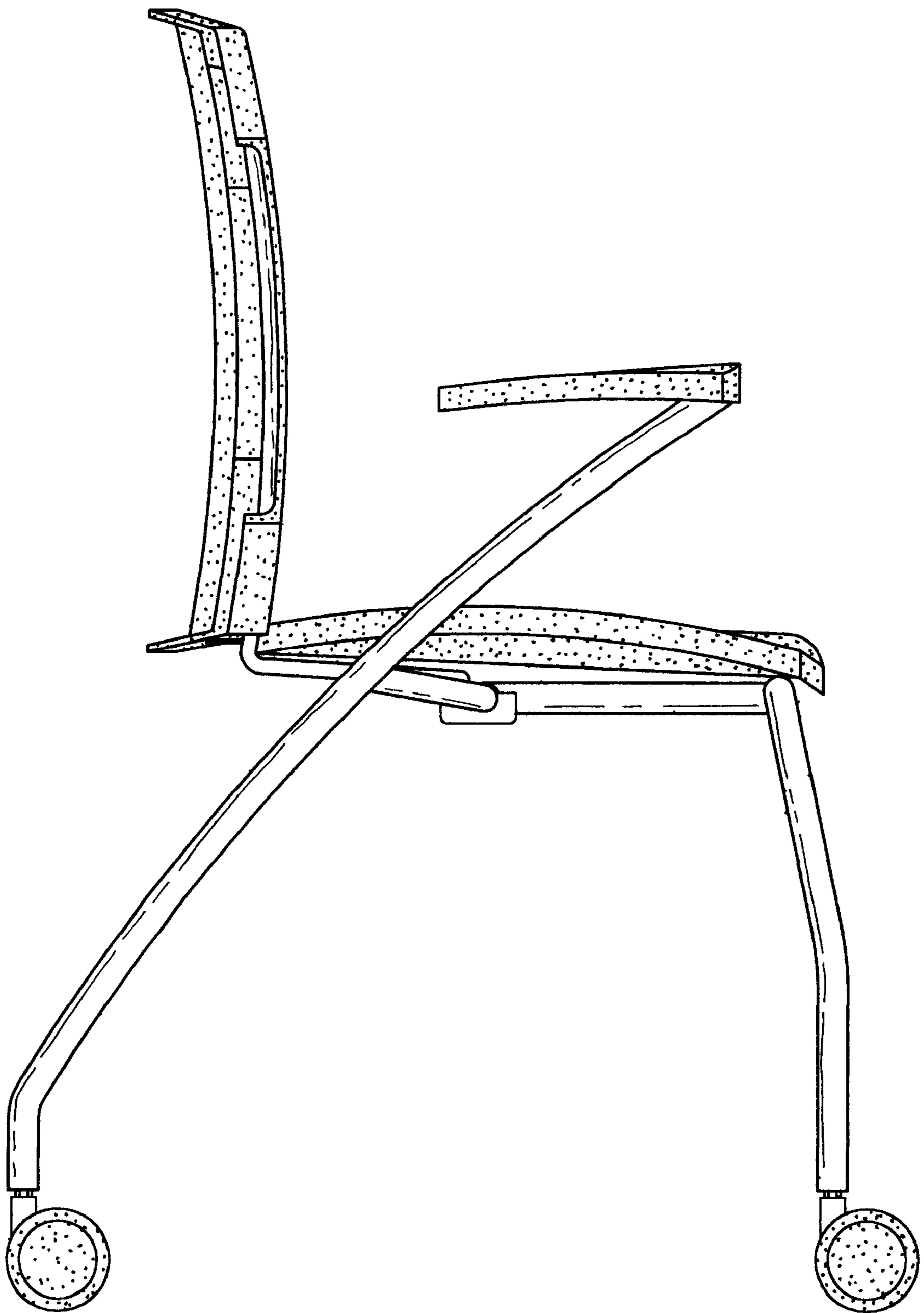


FIG. 4

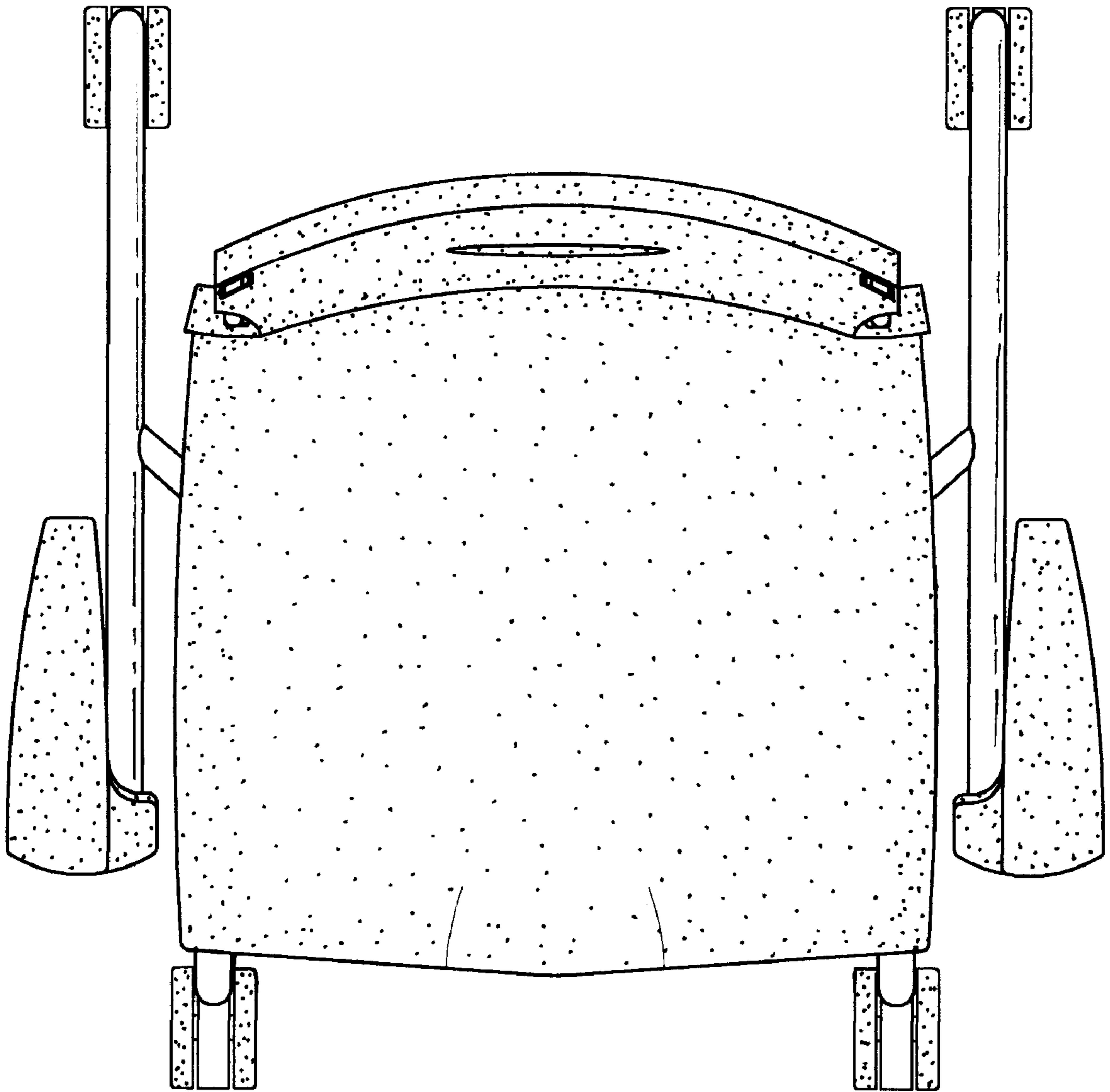


FIG. 5

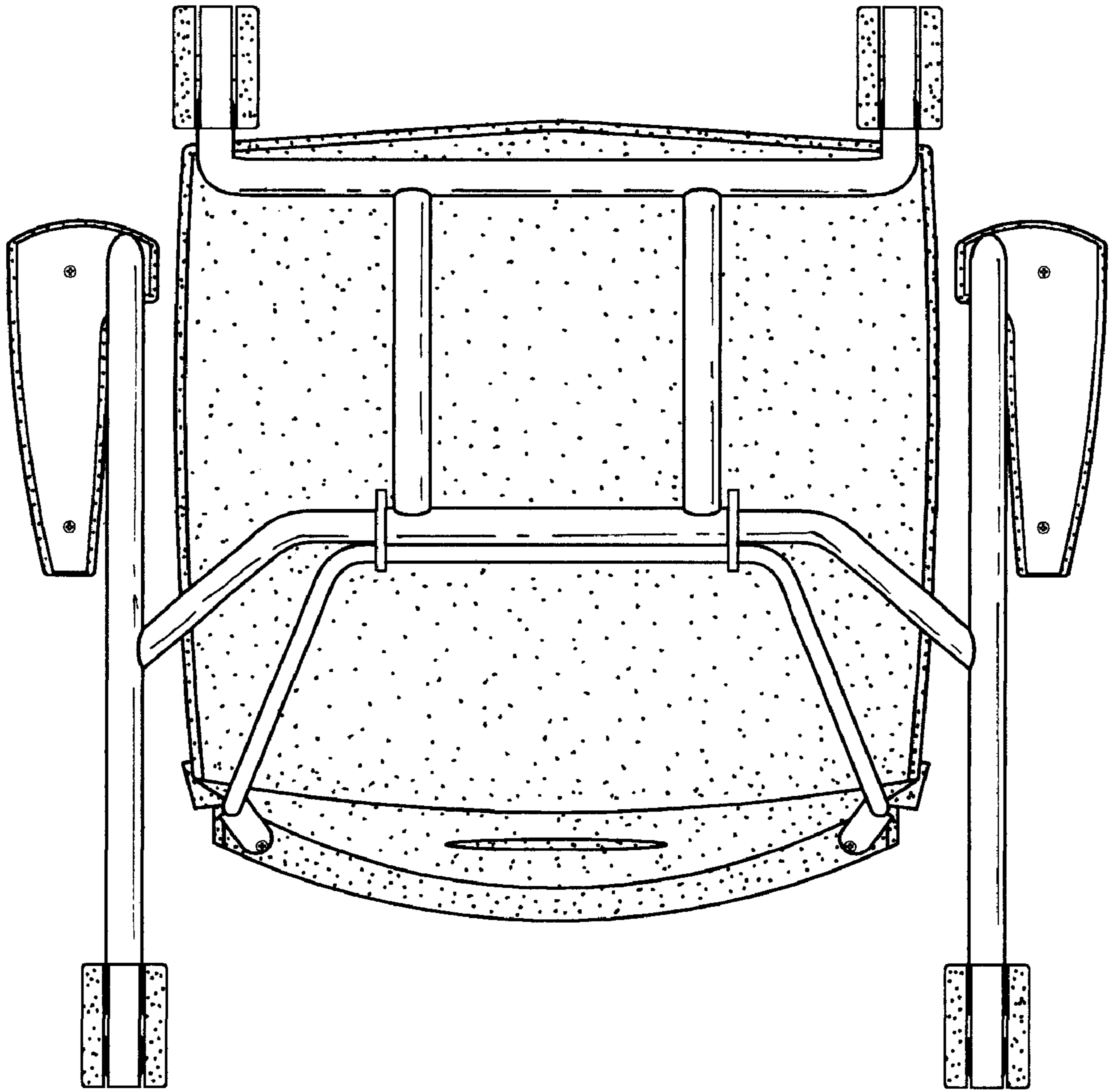


FIG. 6