



US00D464492S

(12) **United States Design Patent**  
**Pomeroy et al.**

(10) **Patent No.:** **US D464,492 S**

(45) **Date of Patent:** **\*\* Oct. 22, 2002**

- (54) **COMBINED CHAIR AND TABLE**
- (75) Inventors: **Charles Pomeroy**, South Bend, IN (US); **John T. Bycraft**, South Bend, IN (US)
- (73) Assignee: **Jack-Post Corporation**, Buchanan, MI (US)
- (\*\*) Term: **14 Years**
- (21) Appl. No.: **29/148,711**
- (22) Filed: **Sep. 26, 2001**
- (51) **LOC (7) Cl.** ..... **06-01**
- (52) **U.S. Cl.** ..... **D6/336; D6/375**
- (58) **Field of Search** ..... D6/334, 335, 336, D6/344, 368, 372, 374, 375, 379, 380, 381, 500-502; 297/391, 411.42, 411.43, 411.44, 445.1, 452.13

- (56) **References Cited**
- U.S. PATENT DOCUMENTS
- D92,012 S     4/1934 McGowen
- D98,065 S     1/1936 Hardy
- D99,375 S     4/1936 Spangler
- D99,530 S     5/1936 Spencer
- D101,976 S \* 11/1936 Smith ..... D6/375
- D103,956 S     4/1937 Rink
- D110,560 S     7/1938 Goldberg

(List continued on next page.)

**OTHER PUBLICATIONS**

- 1987 Jack-Post Catalog: Outdoor Furniture/Outdoor Products.
- 1988 Jack-Post Catalog: Outdoor Furniture/Outdoor Products/Building Products.
- 1989 Jack-Post Catalog: Outdoor Furniture/Outdoor Products/Building Products.

- 1990 Iron Mountain Catalog: Fine Outdoor and Patio Furniture; Iron Mountain.
- 1991 Jack-Post Catalog: Outdoor Furniture/Outdoor Products/Building Products.
- 1992 Jack-Post Catalog: Outdoor Furniture/Outdoor Products/Building Products.
- 1990 Jack-Post Catalog: Outdoor Furniture/Outdoor Products.
- 1993 Jack-Post Catalog: Outdoor Furniture/Outdoor Products/Building Products.
- 1994 Jack-Post Catalog: Thirtieth Anniversary.
- 1995 Jack-Post Catalog: Outdoor Furniture/Outdoor Products/Building Products.
- Flanders Industries, Inc. Royal Park Outdoor Furniture Glider from late 1980's.
- 2000 Jack-Post Furniture Products Catalog pp. 2, 3, 4, 6.

*Primary Examiner*—Doris V. Coles  
*Assistant Examiner*—Mimosa De  
 (74) *Attorney, Agent, or Firm*—Jenkins & Gilchrist

(57) **CLAIM**

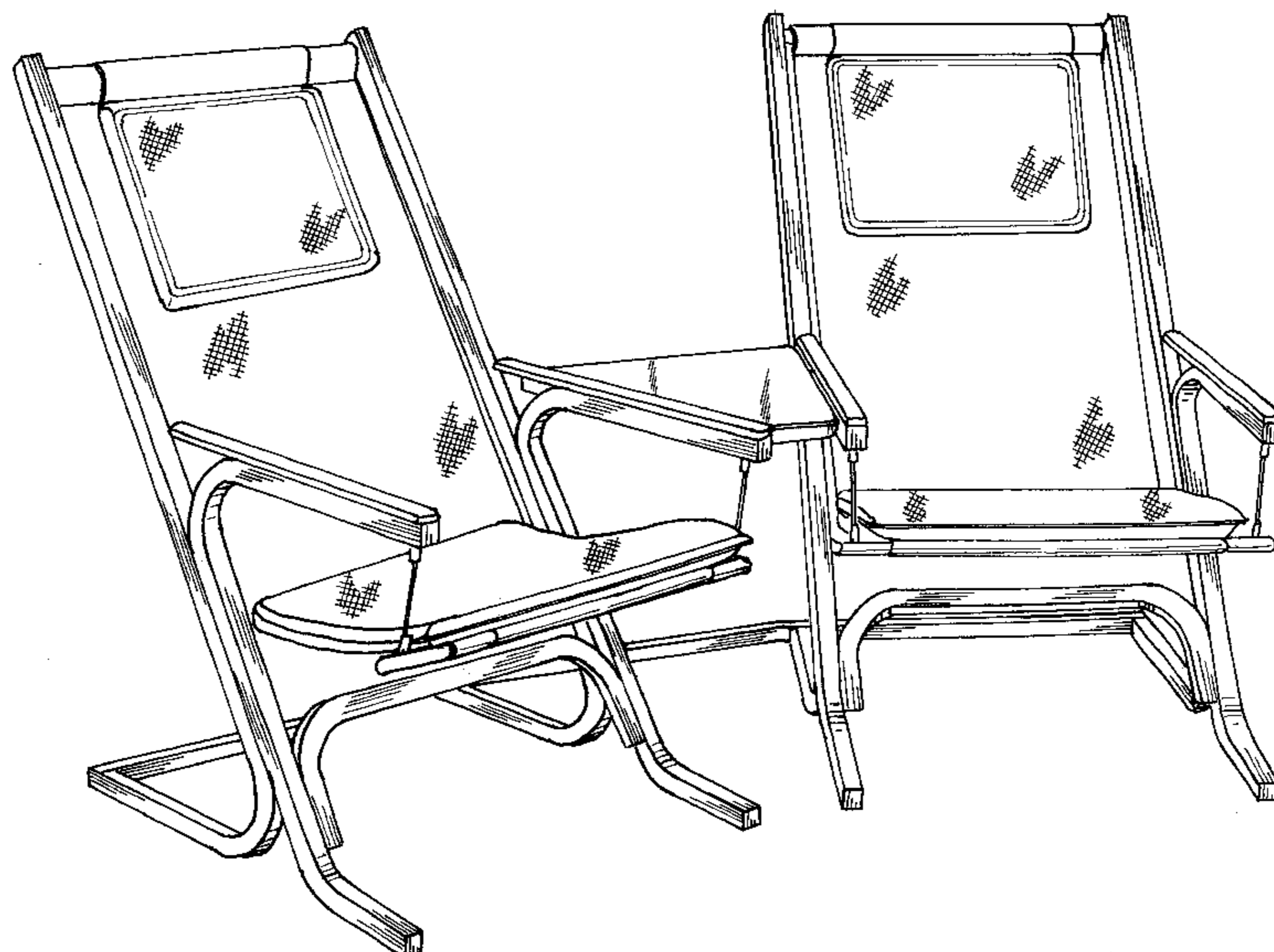
The ornamental design for combined chair and table, as shown and described.

**DESCRIPTION**

FIG. 1 is a front perspective view of the combined chair and table showing our new design;  
 FIG. 2 is a side elevational view,  
 FIG. 3 is a front elevational view,  
 FIG. 4 is a rear elevational view,  
 FIG. 5 is a top plan view; and,  
 FIG. 6 is a bottom plan view.

The fragmented cross-hatching is understood to represent fabric and would be continuous throughout the circumscribed area.

**1 Claim, 6 Drawing Sheets**



# US D464,492 S

Page 2

## U.S. PATENT DOCUMENTS

D121,462 S	7/1940	Tabb		D307,362 S	4/1990	Pomeroy et al. ....	D6/347
D135,777 S	6/1943	Smith		D307,363 S	4/1990	Pomeroy et al. ....	D6/347
D141,705 S	6/1945	Slaughter .....	D15/11	4,919,480 A	4/1990	Drew, III .....	297/244
D149,900 S	6/1948	Mock .....	D15/11	D307,523 S	5/1990	Pomeroy et al. ....	D6/347
D153,162 S	3/1949	Nelems .....	D15/11	D310,604 S	9/1990	Pomeroy et al. ....	D6/347
D154,356 S	7/1949	Allmand .....	D15/1	D325,823 S	5/1992	Pomeroy et al. ....	D6/335
2,567,612 A	9/1951	McGehee .....	155/61	D327,584 S	7/1992	Braxton, III .....	D6/347
D165,835 S	2/1952	Glass .....	D15/11	D328,197 S	7/1992	Braxton, III .....	D6/347
D181,845 S	* 1/1958	Frey .....	D6/336	D334,485 S	4/1993	Pomeroy et al. ....	D6/344
D194,591 S	* 2/1963	Gilbert .....	D6/372	D336,385 S	* 6/1993	Gibbs .....	D6/379
3,078,101 A	2/1963	Reese .....	280/30	D338,563 S	8/1993	Chiang .....	D6/344
D230,671 S	* 3/1974	Johnson .....	D6/372	D341,037 S	11/1993	Pomeroy et al. ....	D6/370
D243,046 S	* 1/1977	Johnson .....	D6/372	D349,818 S	8/1994	Noll .....	D6/344
D250,074 S	* 10/1978	Petersen .....	D6/372	D350,855 S	9/1994	Pomeroy et al. ....	D6/344
D256,744 S	9/1980	Mark .....	D6/69	D361,673 S	8/1995	Pomeroy et al. ....	D6/344
D257,653 S	12/1980	Berlic .....	D6/177	D362,349 S	9/1995	Pomeroy et al. ....	D6/344
D259,308 S	5/1981	Sroub .....	D6/52	D365,692 S	1/1996	Pomeroy et al. ....	D6/344
D263,908 S	4/1982	Imber .....	D6/146	5,667,273 A	9/1997	Noll .....	297/171
D265,952 S	8/1982	Theodore .....	D6/45	D395,763 S	* 7/1998	Machell .....	D6/368
D281,376 S	11/1985	Gregory, III .....	D6/344	D400,720 S	11/1998	Pomeroy et al. ....	D6/344
D281,378 S	11/1985	Parker .....	D6/379	D401,090 S	11/1998	Pomeroy et al. ....	D6/500
D285,876 S	* 9/1986	Goldman .....	D6/379	D410,340 S	6/1999	Pomeroy et al. ....	D6/344
D290,911 S	7/1987	Pomeroy et al. ....	D6/347	D417,559 S	12/1999	Pomeroy et al. ....	D6/344
D296,272 S	6/1988	Colby .....	D6/347	D426,394 S	* 6/2000	Tseng .....	D6/375
D296,628 S	* 7/1988	Glass .....	D6/372	D430,743 S	* 9/2000	Pomeroy et al. ....	D6/336
D298,490 S	11/1988	Pomeroy et al. ....	D6/347	D432,323 S	10/2000	Pomeroy et al. ....	D6/344
D306,530 S	3/1990	Vanderminden .....	D6/347	D443,425 S	6/2001	Pomeroy et al. ....	D6/344
D307,361 S	4/1990	Pomeroy et al. ....	D6/347				

\* cited by examiner

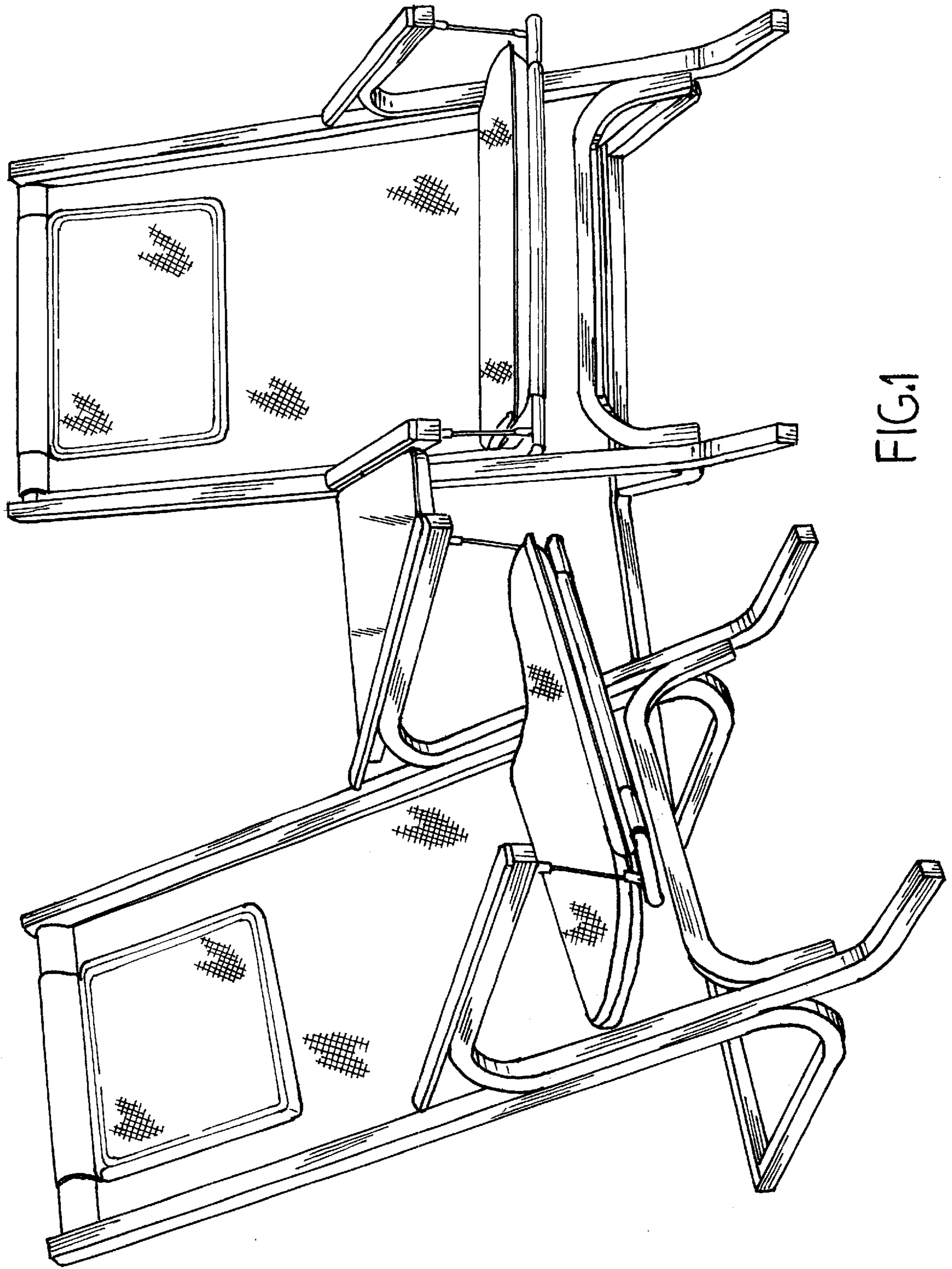


FIG. 1

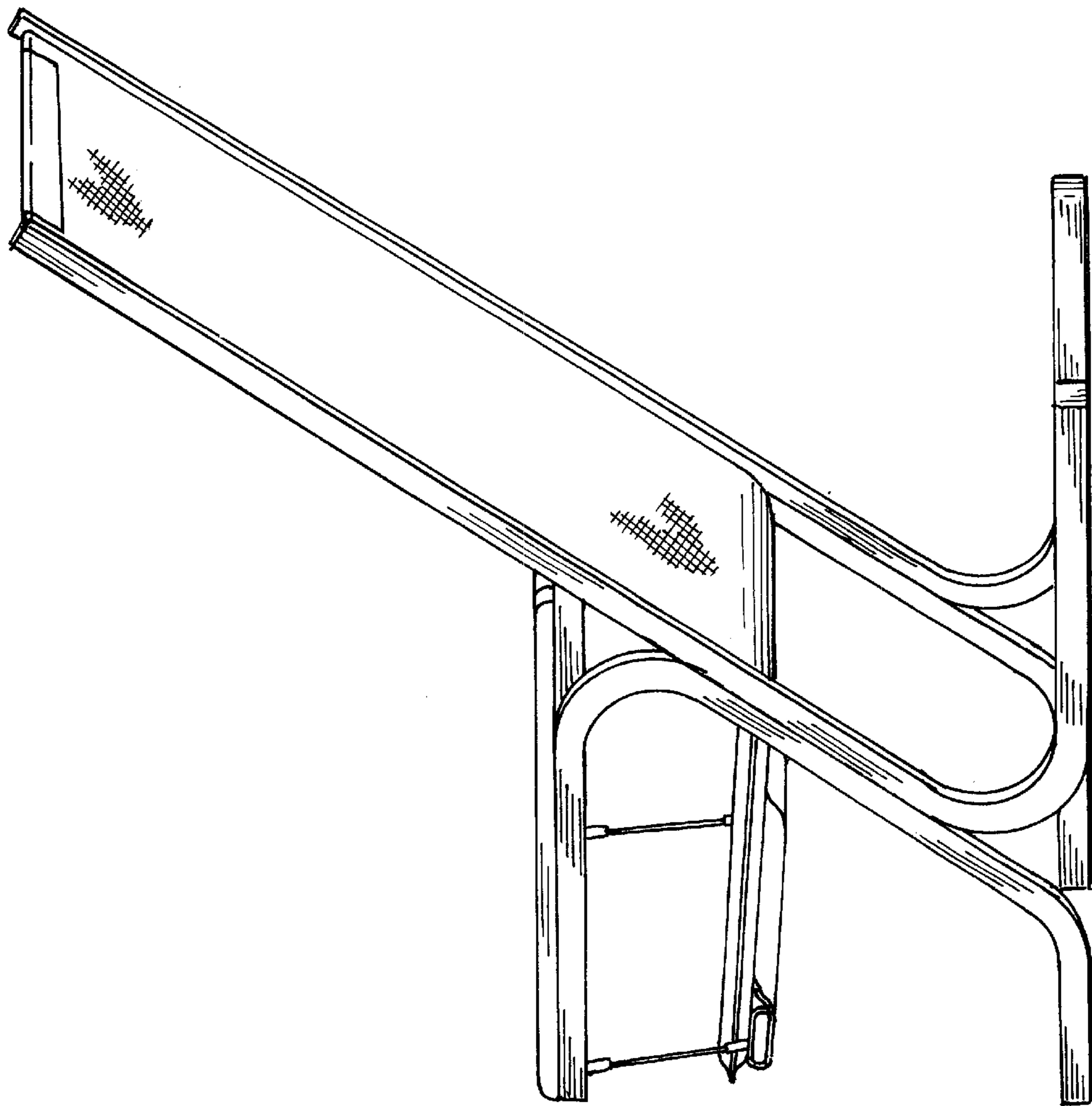


FIG. 2

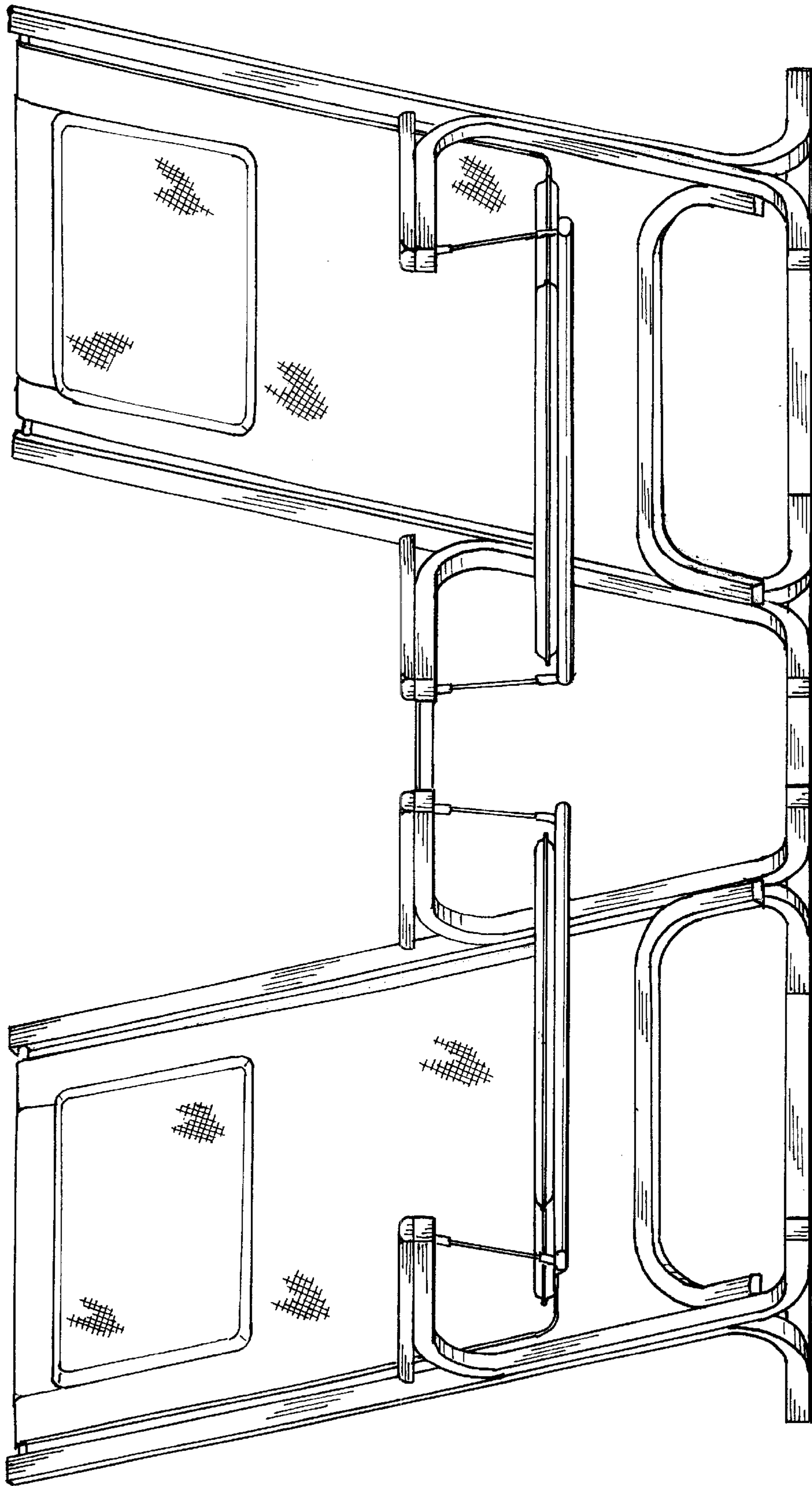


FIG. 3

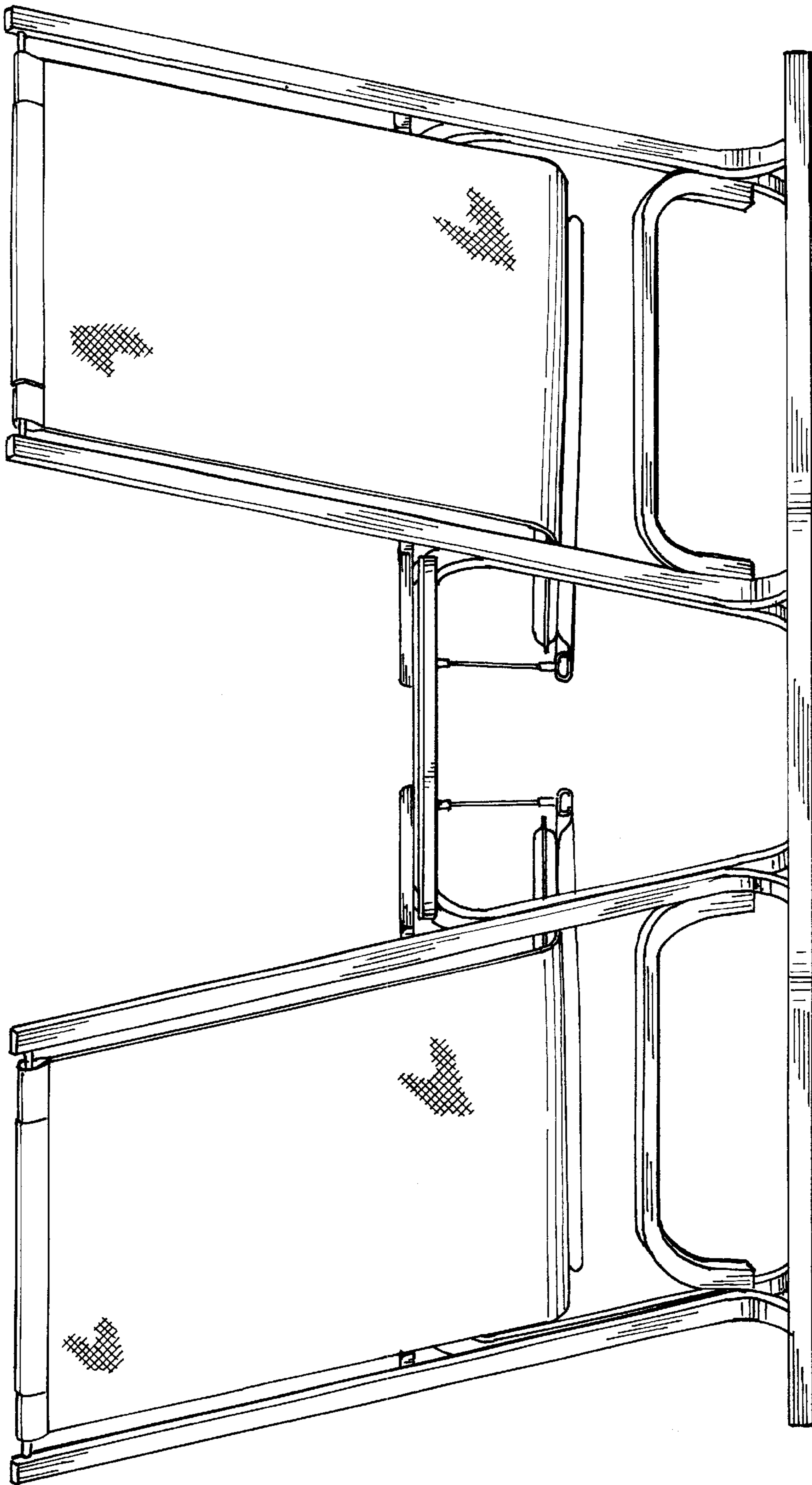


FIG. 4

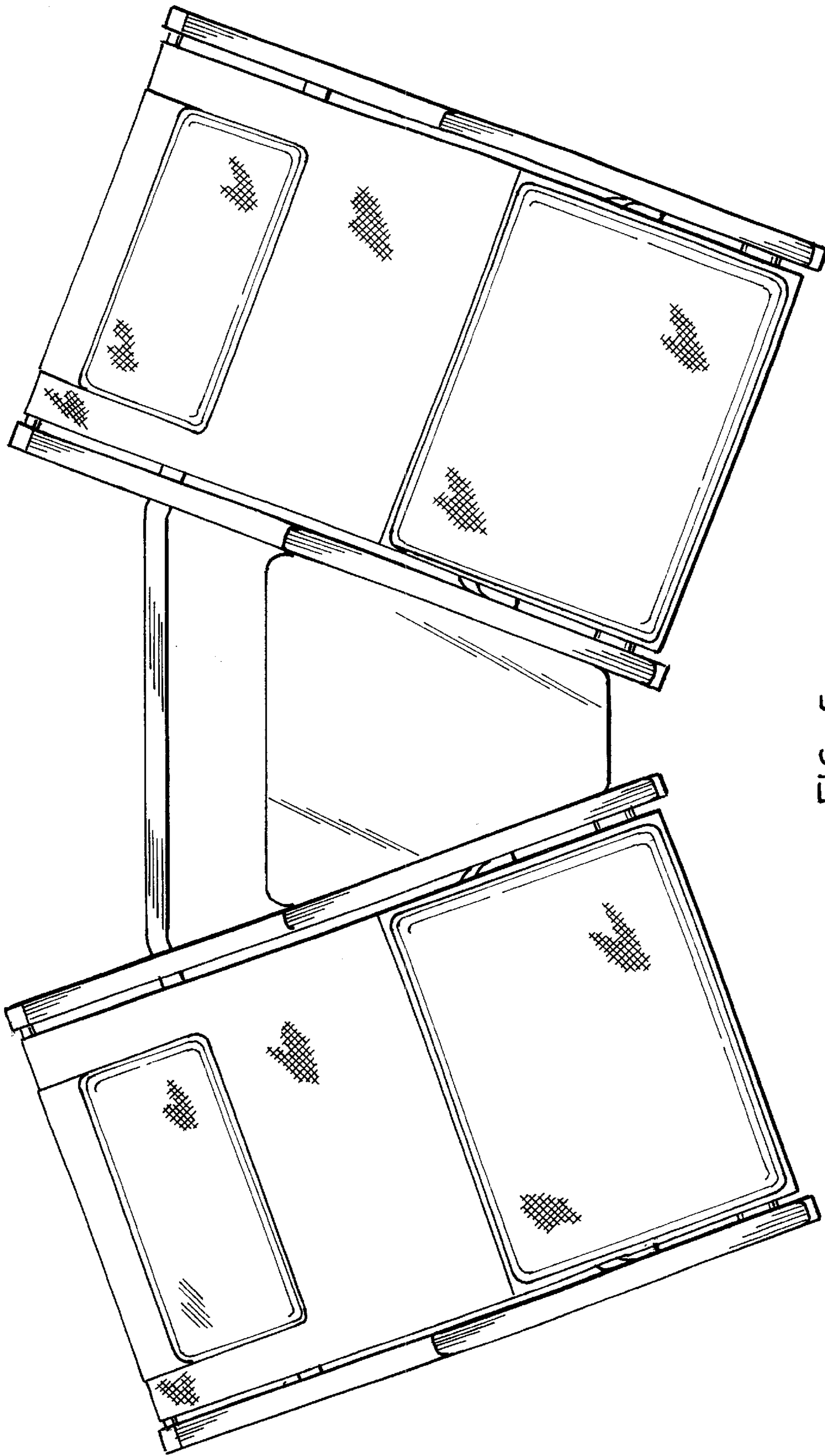


FIG. 5

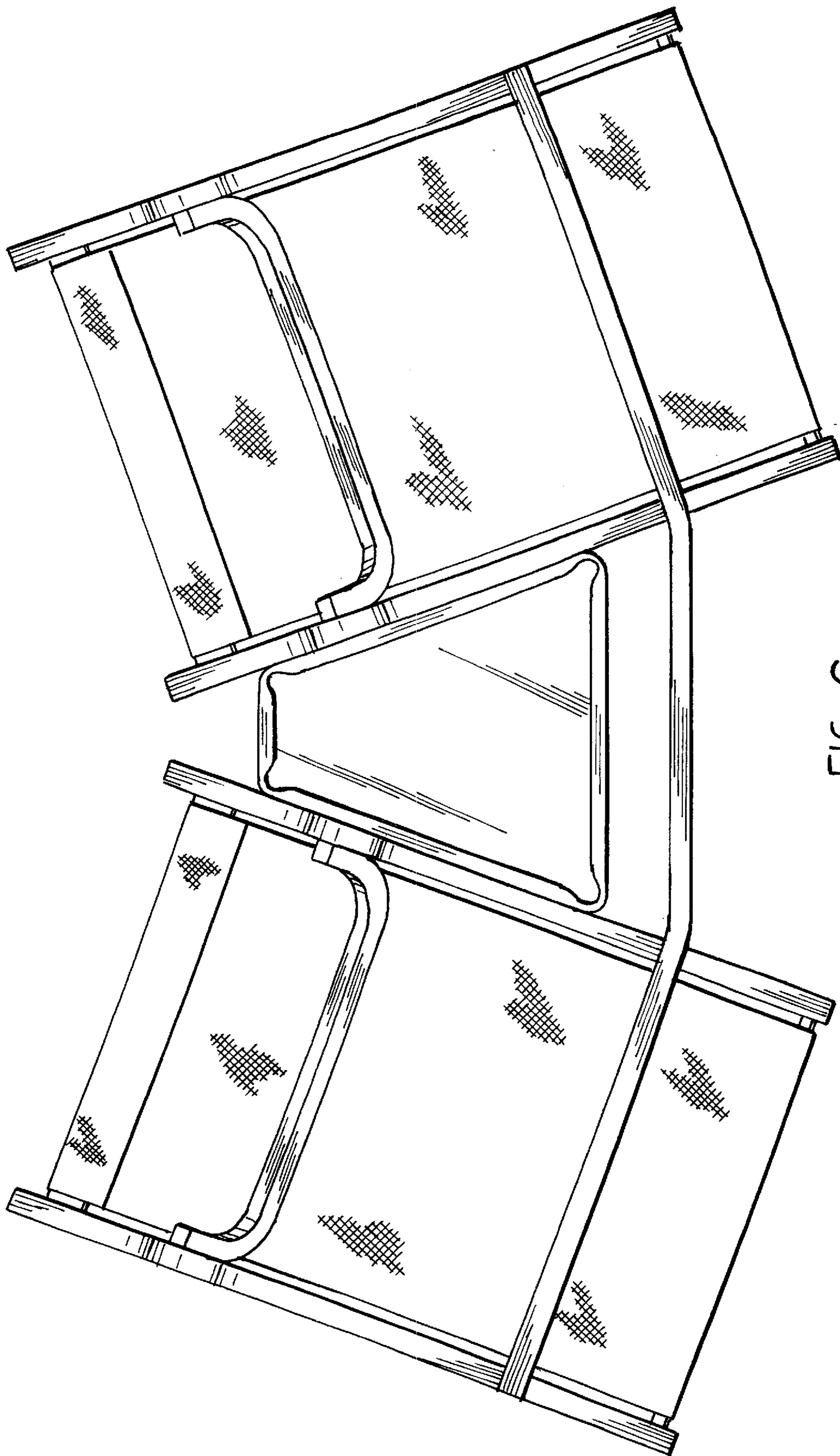


FIG. 6