



US00D464475S

(12) **United States Design Patent**
Isackson et al.

(10) **Patent No.:** **US D464,475 S**

(45) **Date of Patent:** **** Oct. 22, 2002**

(54) **TAP DEVICE FOR CLOGGING SHOES**

(76) Inventors: **Dale F. Isackson**, 568 Old N. Shore Rd., Two Harbors, MN (US) 55616;
Carl Blanton, 525 Poverty Dr., Salem, SC (US) 29676

(**) Term: **14 Years**

(21) Appl. No.: **29/151,211**

(22) Filed: **Oct. 31, 2001**

(51) **LOC (7) Cl.** **02-99**

(52) **U.S. Cl.** **D2/946; D2/968**

(58) **Field of Search** **D9/946, 968; 36/8.3**

(56) **References Cited**

U.S. PATENT DOCUMENTS

1,138,684 A	*	5/1915	Neely	36/8.3
D53,732 S	*	8/1919	Emery	D2/968
D92,395 S	*	6/1934	Feinstein	D2/968
2,168,303 A	*	8/1939	Sothen	36/8.3
2,479,248 A	*	8/1949	Sunseri	36/8.3
2,723,467 A	*	11/1955	Cassidy	36/8.3

2,739,394 A	*	3/1956	Morgan	36/8.3
3,007,260 A	*	11/1961	Stone	36/8.3
4,463,506 A	*	8/1984	Isackson	36/8.3
4,513,519 A	*	4/1985	Hedrick	36/8.3
4,625,436 A	*	12/1986	Stevens, Jr.	36/8.3
D293,161 S		12/1987	Stevens		

* cited by examiner

Primary Examiner—Dominic Simone

(74) *Attorney, Agent, or Firm*—Paul L. Sjoquist

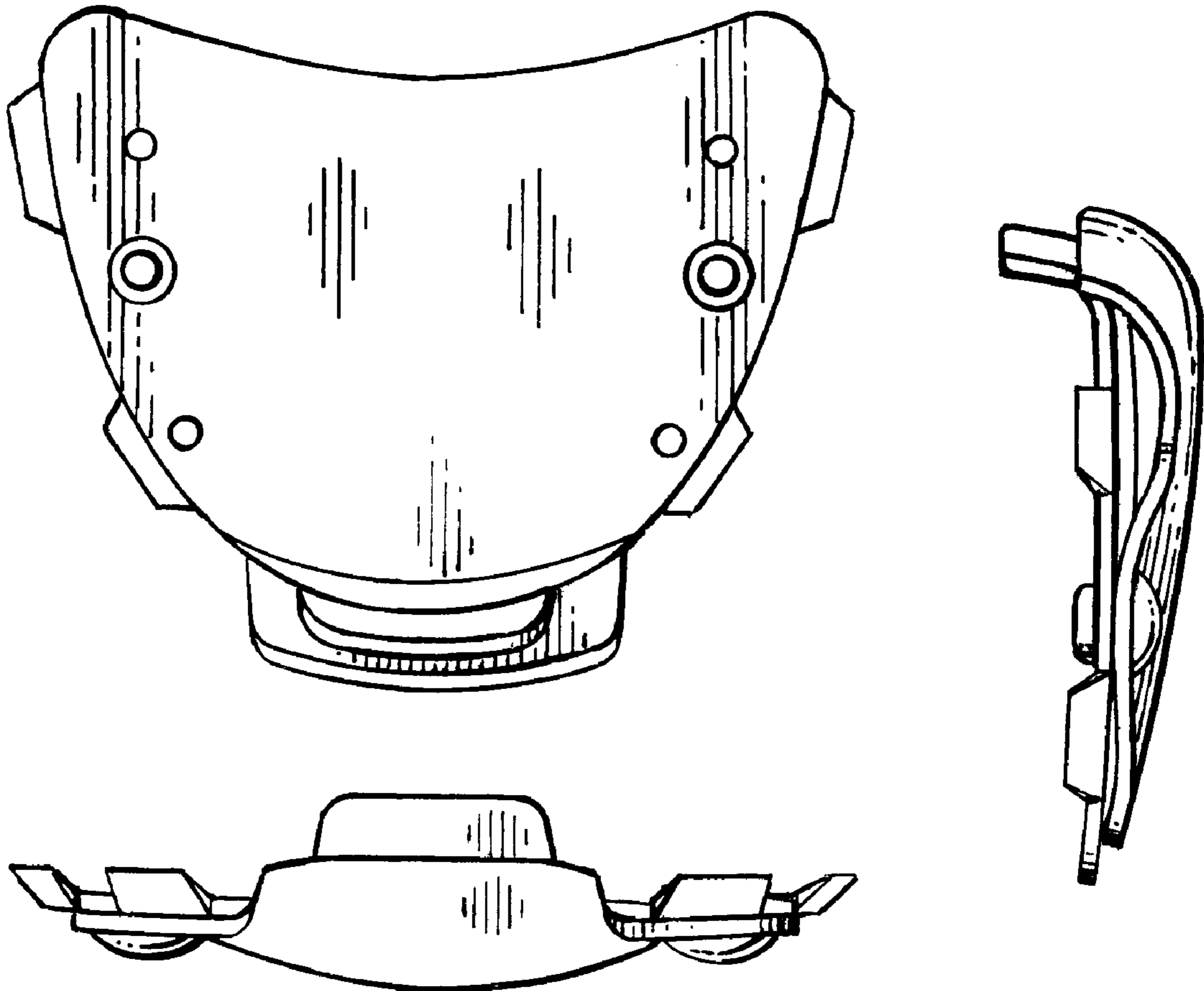
(57) **CLAIM**

The ornamental design for a tap device for clogging shoes, as shown and described.

DESCRIPTION

FIG. 1 is a top view of the design;
FIG. 2 is a front elevation view of the design;
FIG. 3 is a left elevation view of the design;
FIG. 4 is a bottom view of the design;
FIG. 5 is a right elevation view of the design; and,
FIG. 6 is a rear elevation view of the design.

1 Claim, 1 Drawing Sheet



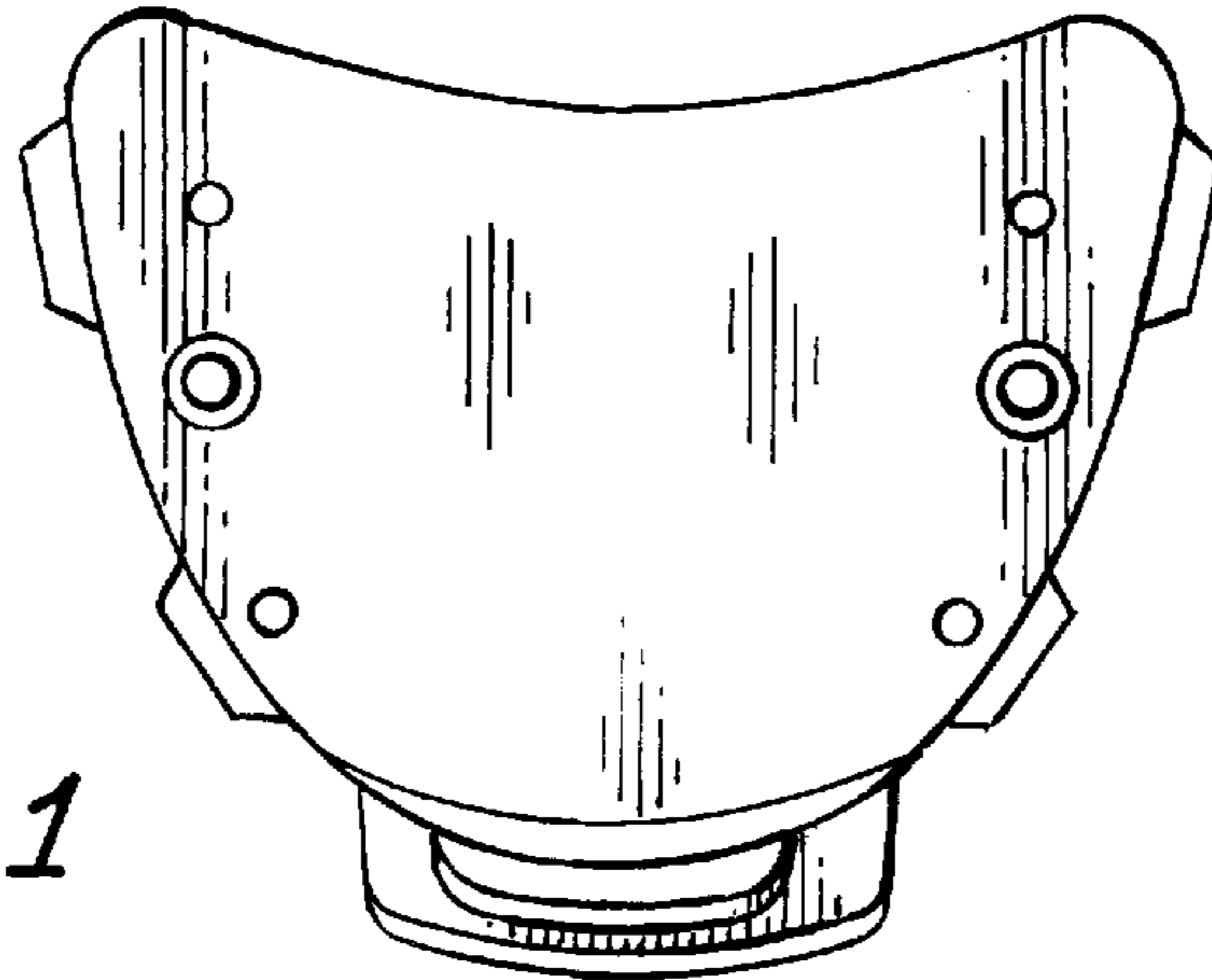


FIG. 1

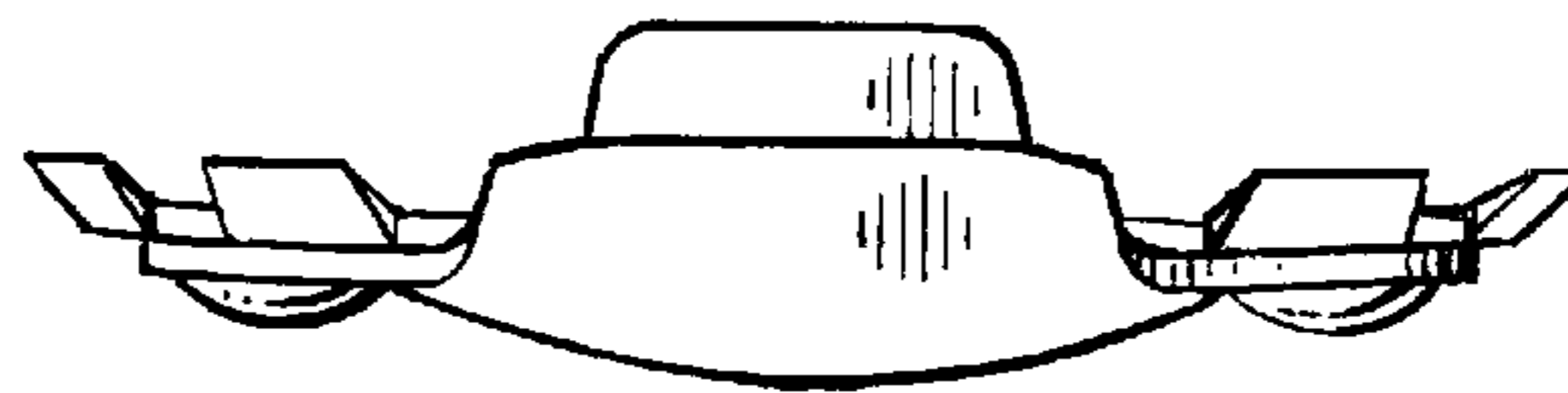


FIG. 2

FIG. 3

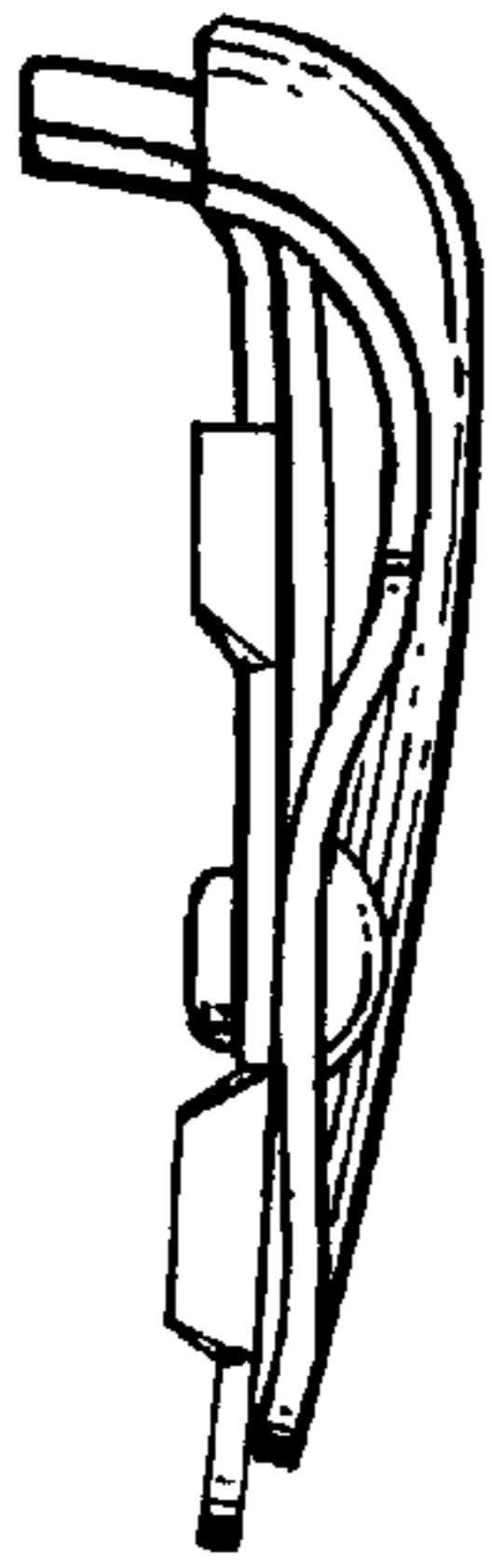


FIG. 4

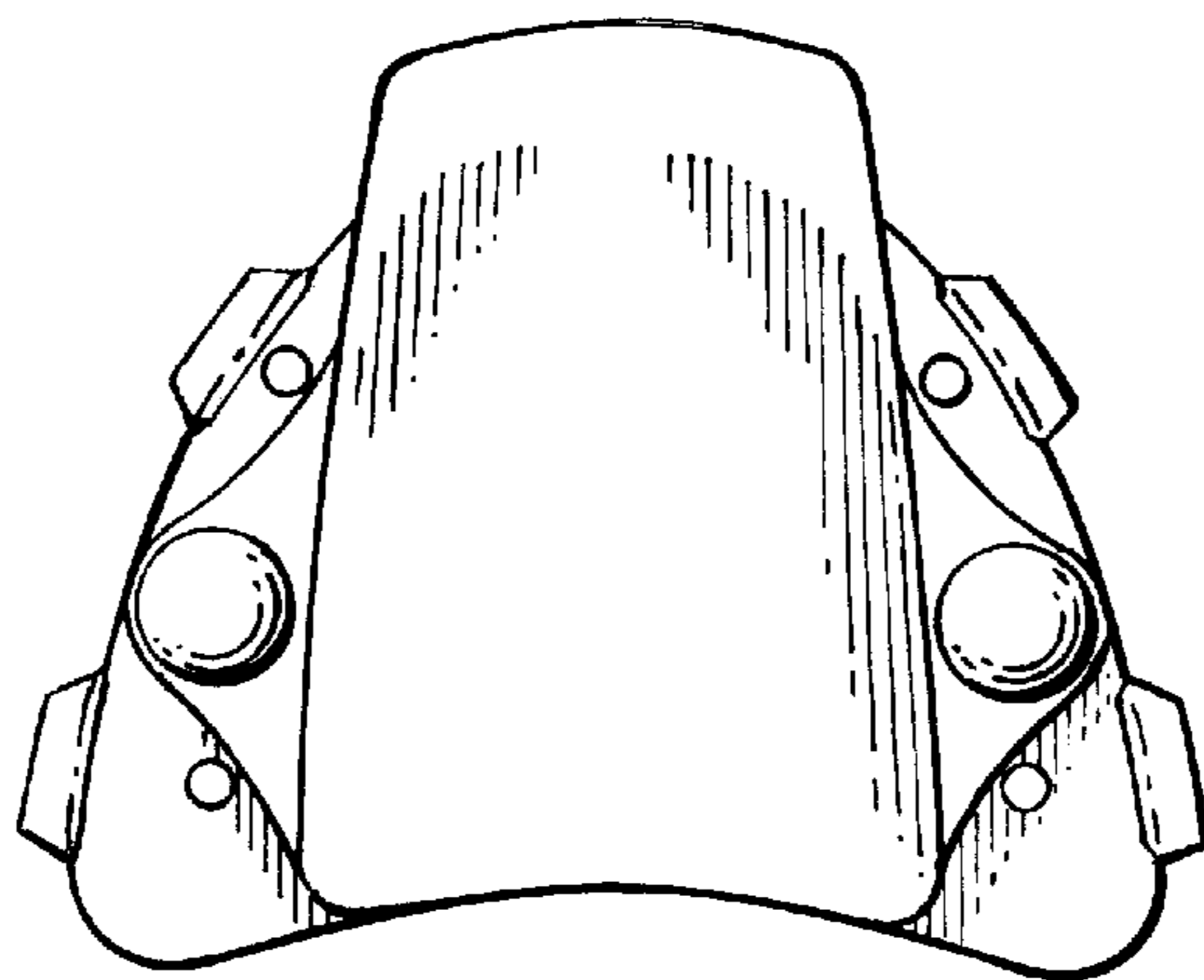


FIG. 5

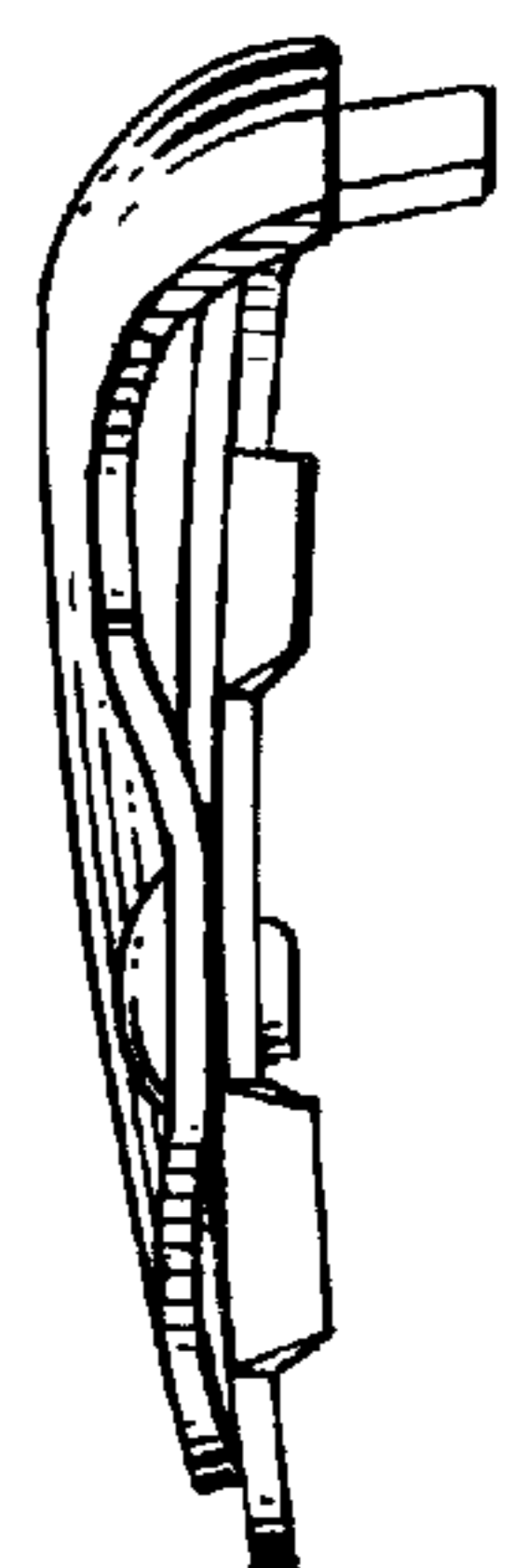


FIG. 6

