



US00D464471S

(12) **United States Design Patent** (10) **Patent No.:** **US D464,471 S**
Burdsall et al. (45) **Date of Patent:** **** Oct. 15, 2002**

(54) **ELECTRIC PRESSURE WASHER**

(75) Inventors: **Thomas A. Burdsall**, Nashville, TN (US); **Lance S. Lindenberg**, Lavergne, TN (US); **James R. Sever**, Old Hickory, TN (US); **Maureen Carroll**, Atlanta, GA (US); **Jeff Stout**, Smyrna, GA (US); **Saro Nalbandian**, Glendale, CA (US)

(73) Assignee: **Campbell Hausfeld/Scott Fetzer Company**, Harrison, OH (US)

(**) Term: **14 Years**

(21) Appl. No.: **29/151,132**

(22) Filed: **Oct. 31, 2001**

(51) **LOC (7) Cl.** **15-05**

(52) **U.S. Cl.** **D32/15**

(58) **Field of Search** D32/1, 4, 15-18, D32/21; 239/146-149, 273, 276, 375, 525, 532, 722; 134/103.2; D15/7, 9; 417/360, 364; 15/320-321, 340.1, 340.2

(56) **References Cited**

U.S. PATENT DOCUMENTS

D262,974 S	2/1982	Campbell et al.	D34/24
D281,632 S	12/1985	Yang	D32/1
5,064,123 A	11/1991	Aiello et al.	239/706
D338,989 S	* 8/1993	Ambrosiano	D32/15
5,244,351 A	9/1993	Arnette	417/38
D341,008 S	* 11/1993	Berfield et al.	D32/1
5,405,086 A	* 4/1995	Kranzle	239/172
5,456,412 A	10/1995	Agee	239/104

(List continued on next page.)

Primary Examiner—Nelson C. Holtje

(74) *Attorney, Agent, or Firm*—Jones, Day, Reavis & Pogue

(57) **CLAIM**

We claim the ornamental design for an electric pressure washer, as shown and described.

DESCRIPTION

FIG. 1 is a front perspective view of an electric pressure washer comprising a first embodiment of the ornamental

design of the present invention, the view including broken line showings for illustrative purposes only;

FIG. 2 is a view similar to FIG. 1, with the broken line showings omitted;

FIG. 3 is a rear perspective view of the electric pressure washer of FIG. 1, the view including broken line showings for illustrative purposes only;

FIG. 4 is a view similar to FIG. 2, with the broken line showings omitted;

FIG. 5 is a side view of the electric pressure washer of FIG. 1;

FIG. 6 is a front view of the electric pressure washer of FIG. 1;

FIG. 7 is an opposite side view of the electric pressure washer of FIG. 1;

FIG. 8 is a rear view of the electric pressure washer of FIG. 1;

FIG. 9 is a top view of the electric pressure washer of FIG. 1;

FIG. 10 is a bottom view of the electric pressure washer of FIG. 1;

FIG. 11 is a front perspective view of an electric pressure washer comprising a second embodiment of the ornamental design of the present invention;

FIG. 12 is a rear perspective view of the electric pressure washer of FIG. 9;

FIG. 13 is a side view of the electric pressure washer of FIG. 9;

FIG. 14 is a front view of the electric pressure washer of FIG. 9;

FIG. 15 is an opposite side view of the electric pressure washer of FIG. 9;

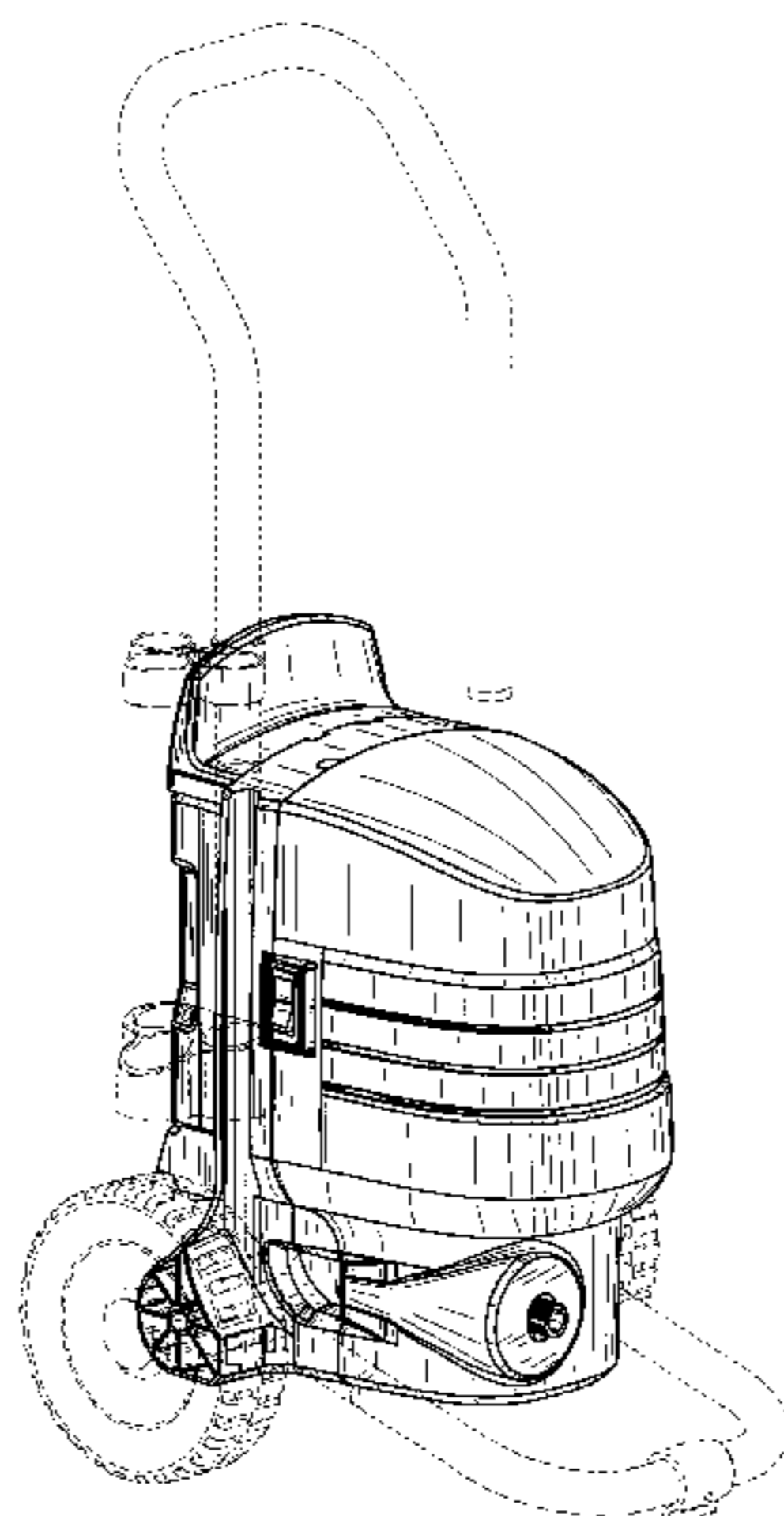
FIG. 16 is a rear view of the electric pressure washer of FIG. 9;

FIG. 17 is a top view of the electric pressure washer of FIG. 9; and,

FIG. 18 is a bottom view of the electric pressure washer of FIG. 9.

The broken line showings of FIGS. 1-16 are for illustrative purposes only and form no part of the claimed design.

1 Claim, 12 Drawing Sheets



US D464,471 S

Page 2

U.S. PATENT DOCUMENTS

D375,590 S	*	11/1996	Steinhart et al.	D32/15	D417,045 S	*	11/1999	Dziersk et al.	D32/16
5,700,137 A	*	12/1997	Simonette	417/364	D420,473 S	*	2/2000	Shero	D32/16
5,890,258 A	*	4/1999	Lee	15/320	D458,423 S	*	6/2002	Rehkugler et al.	D32/16
5,918,345 A	*	7/1999	Principe et al.	15/340.3					

* cited by examiner

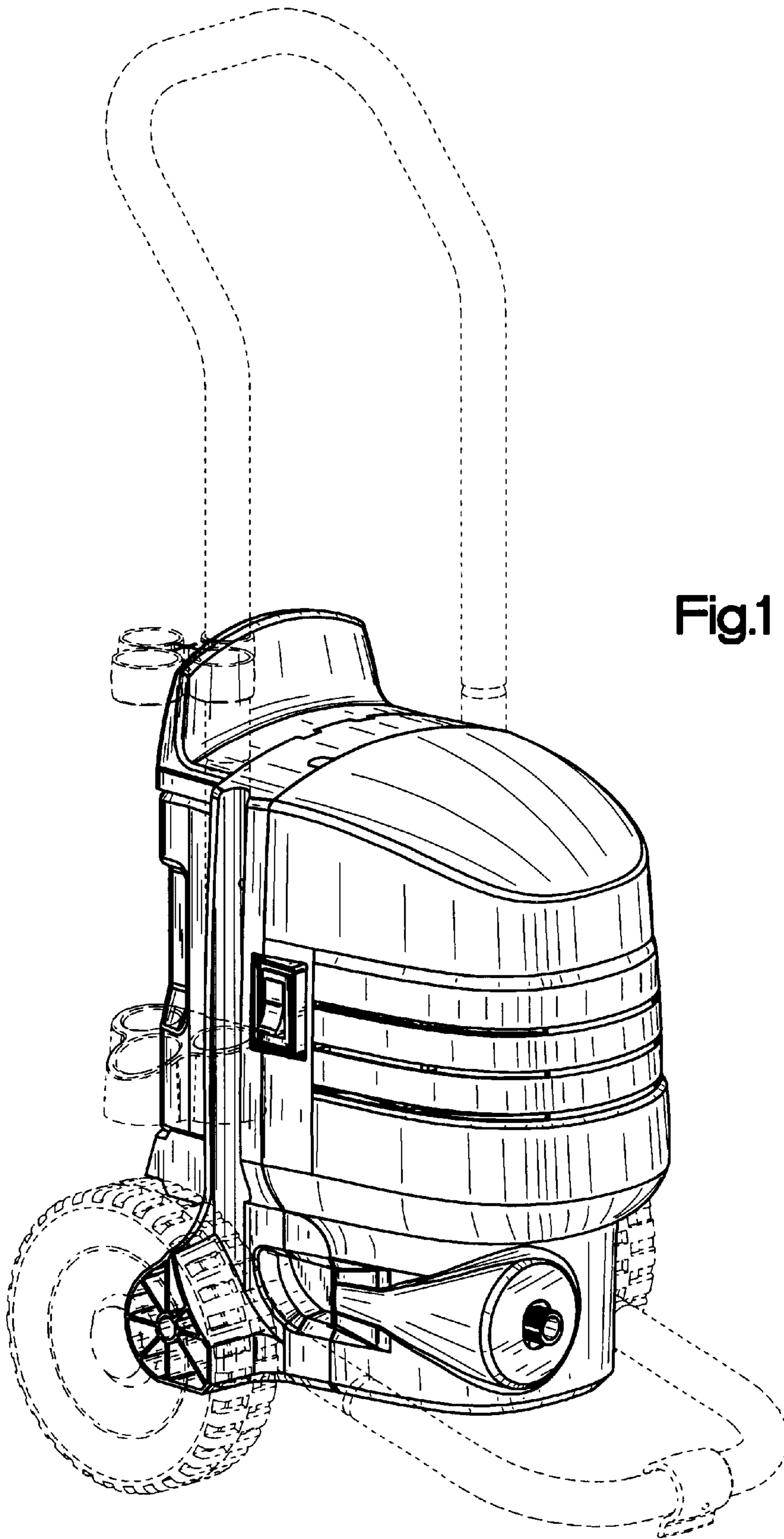
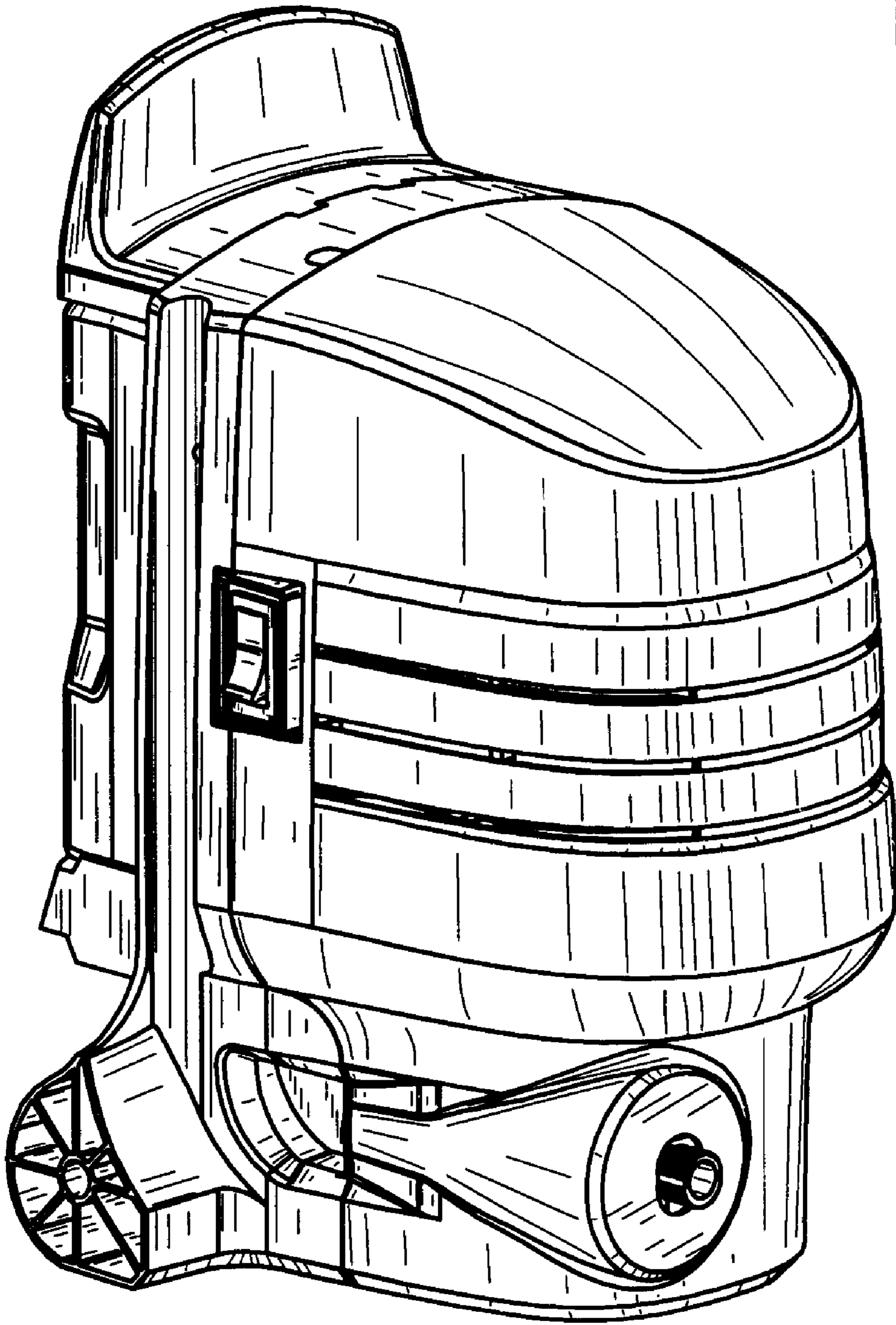


Fig.1

Fig.2



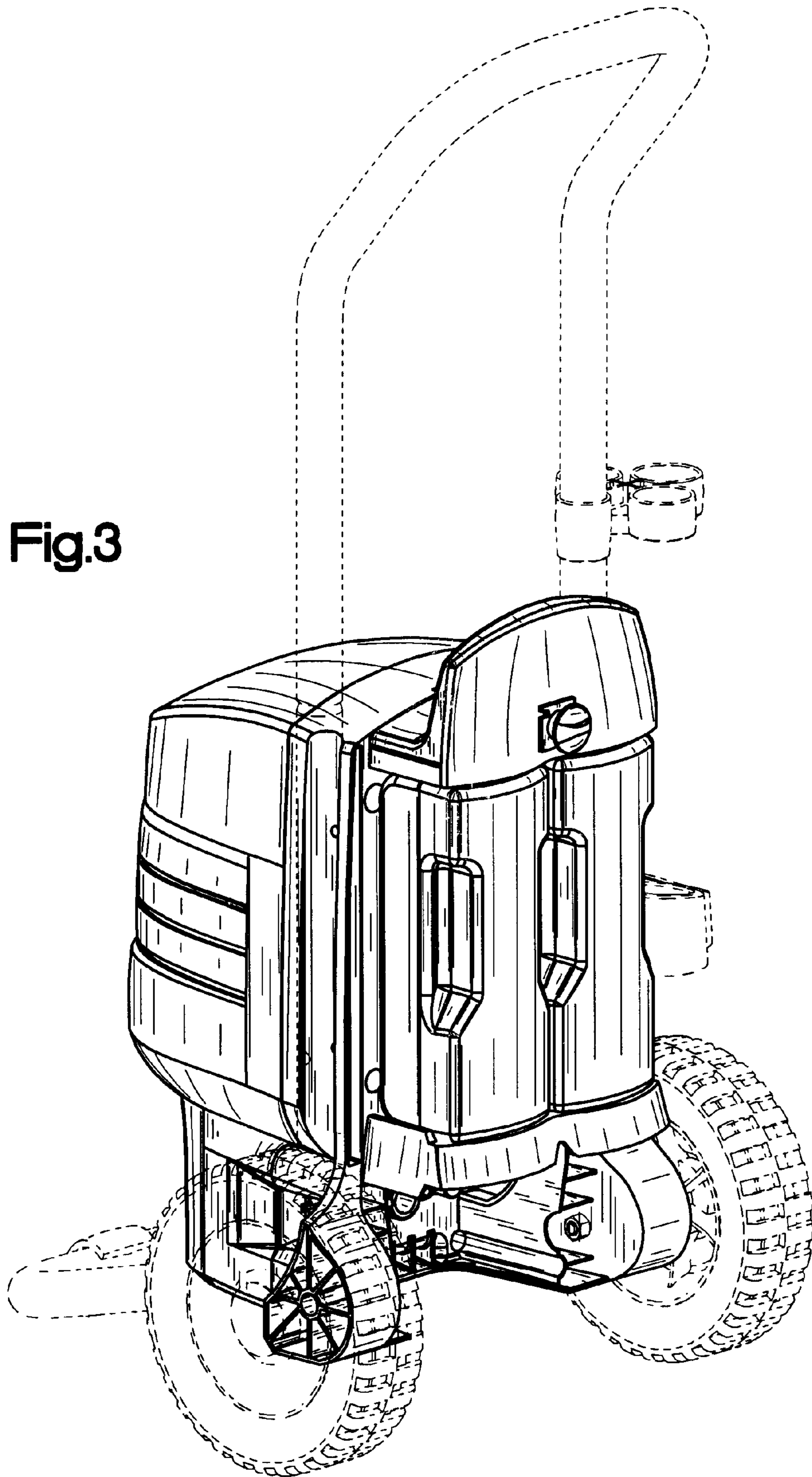


Fig.4

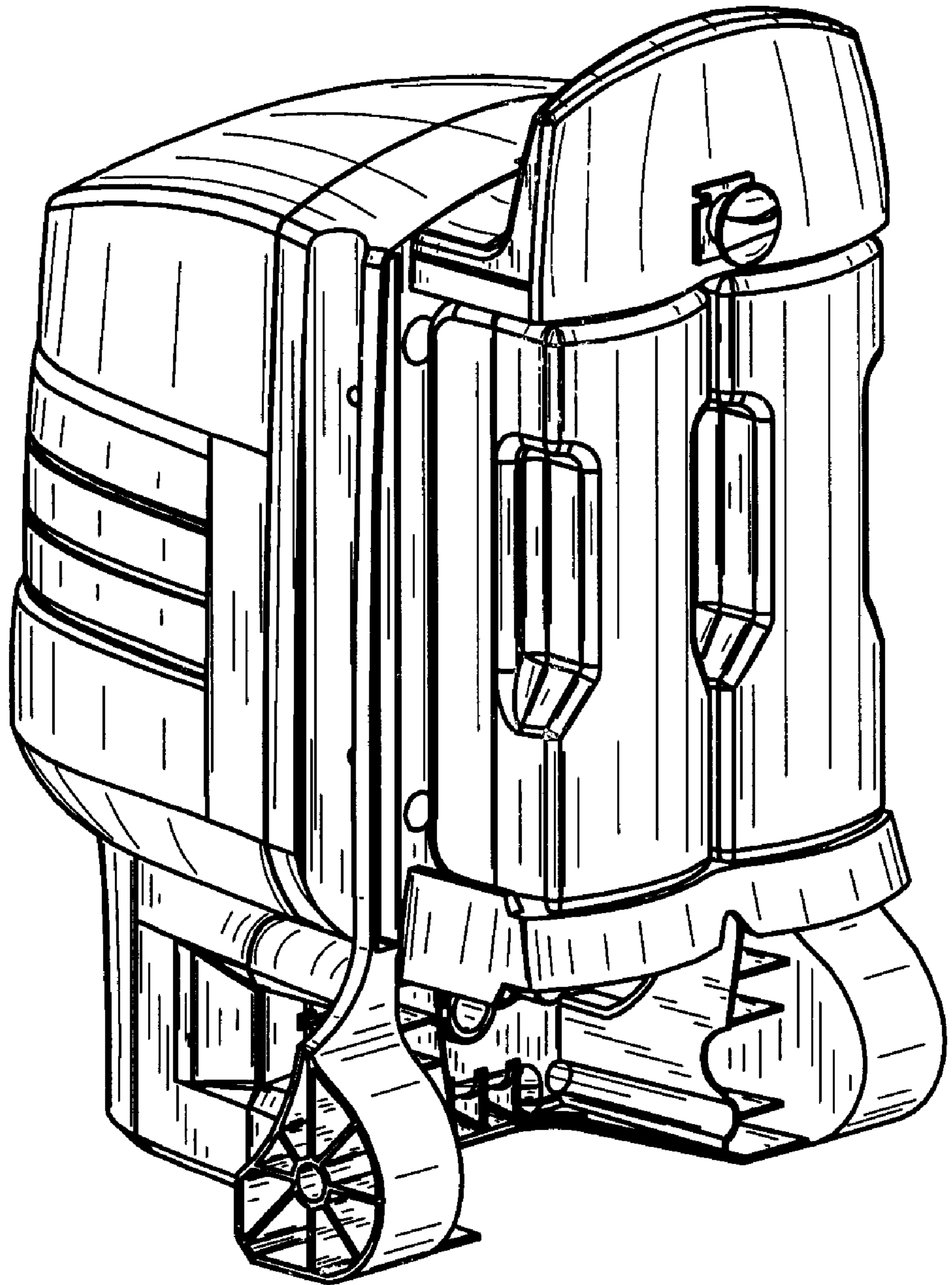


Fig.6

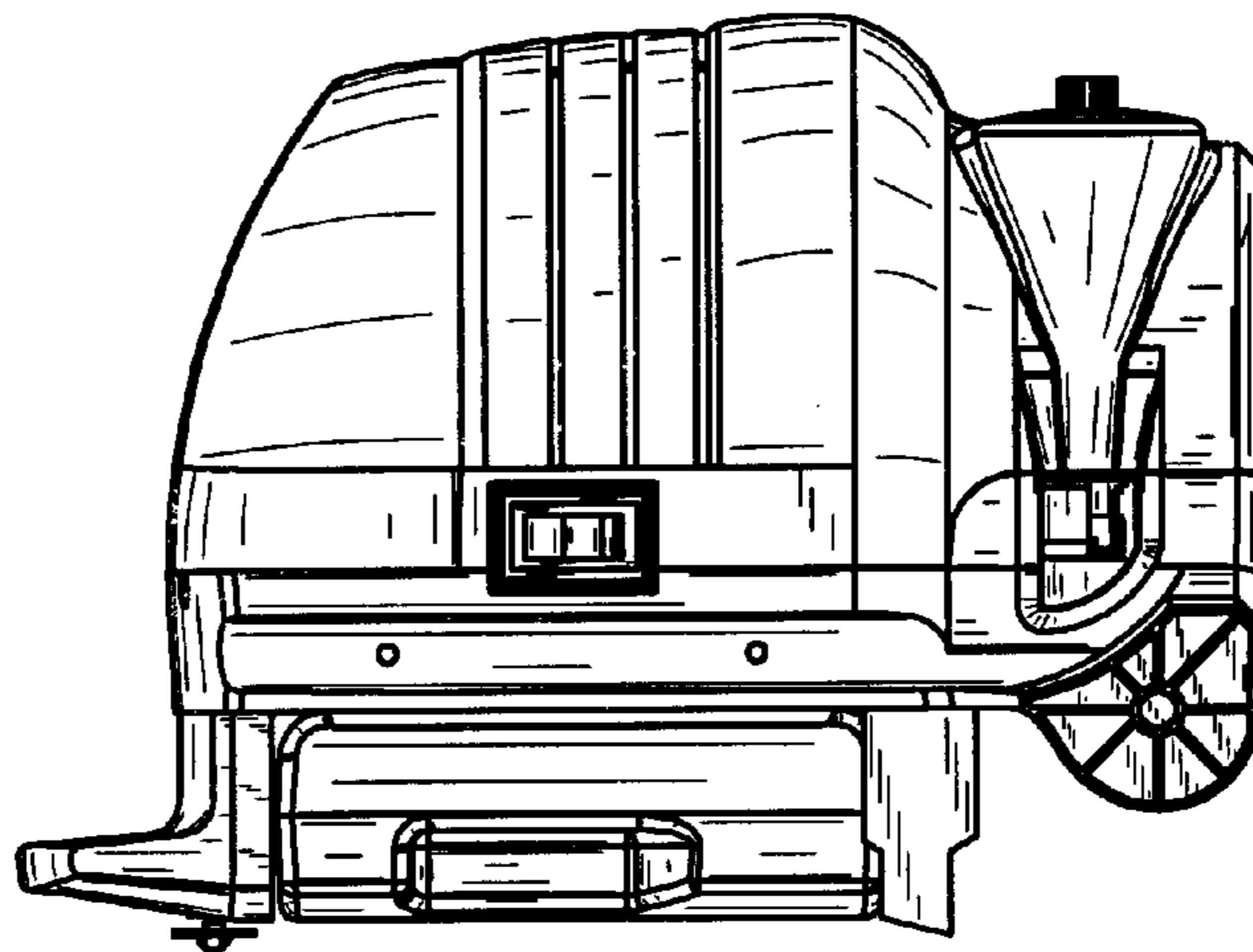
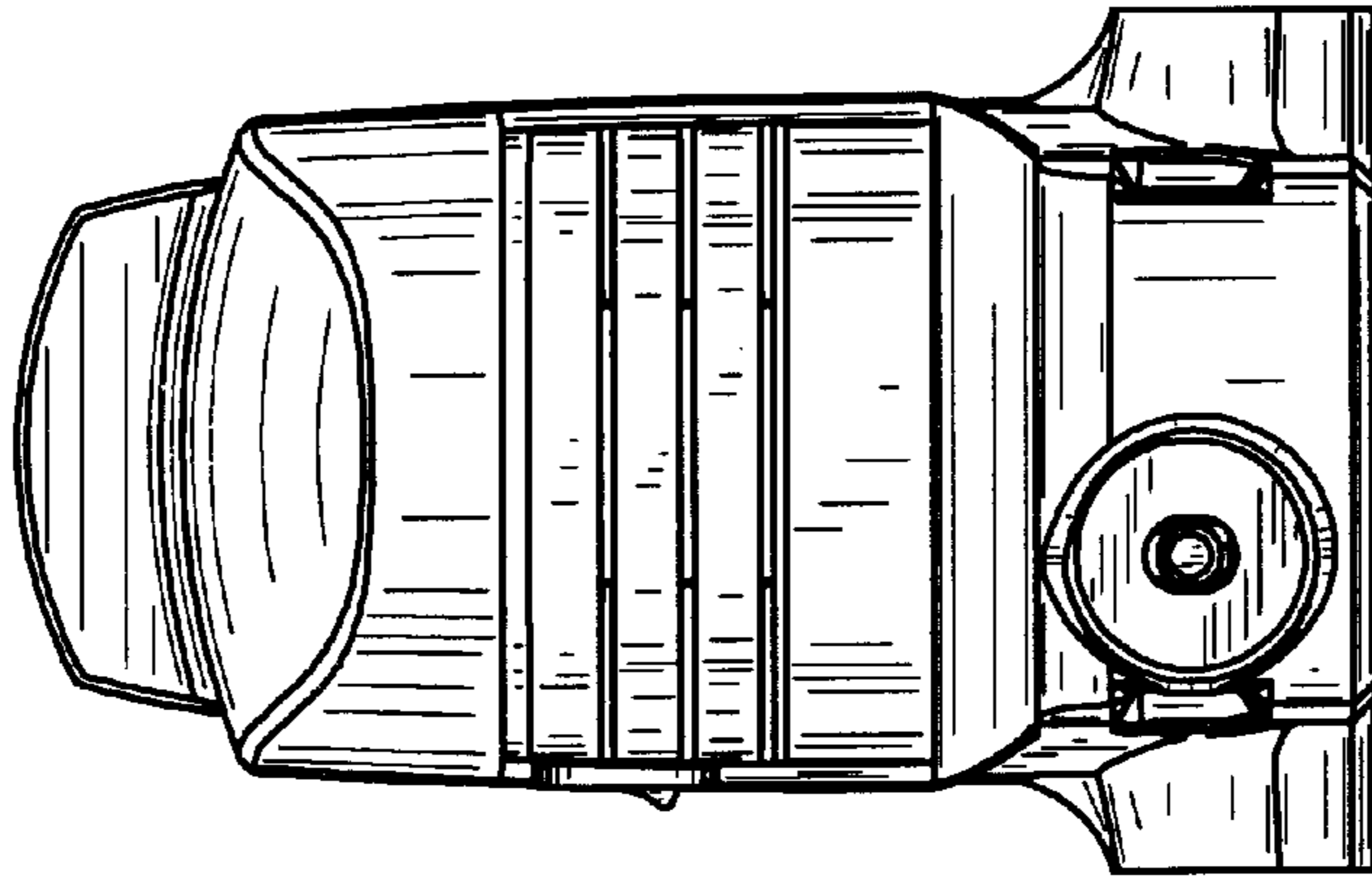


Fig.5

Fig.8

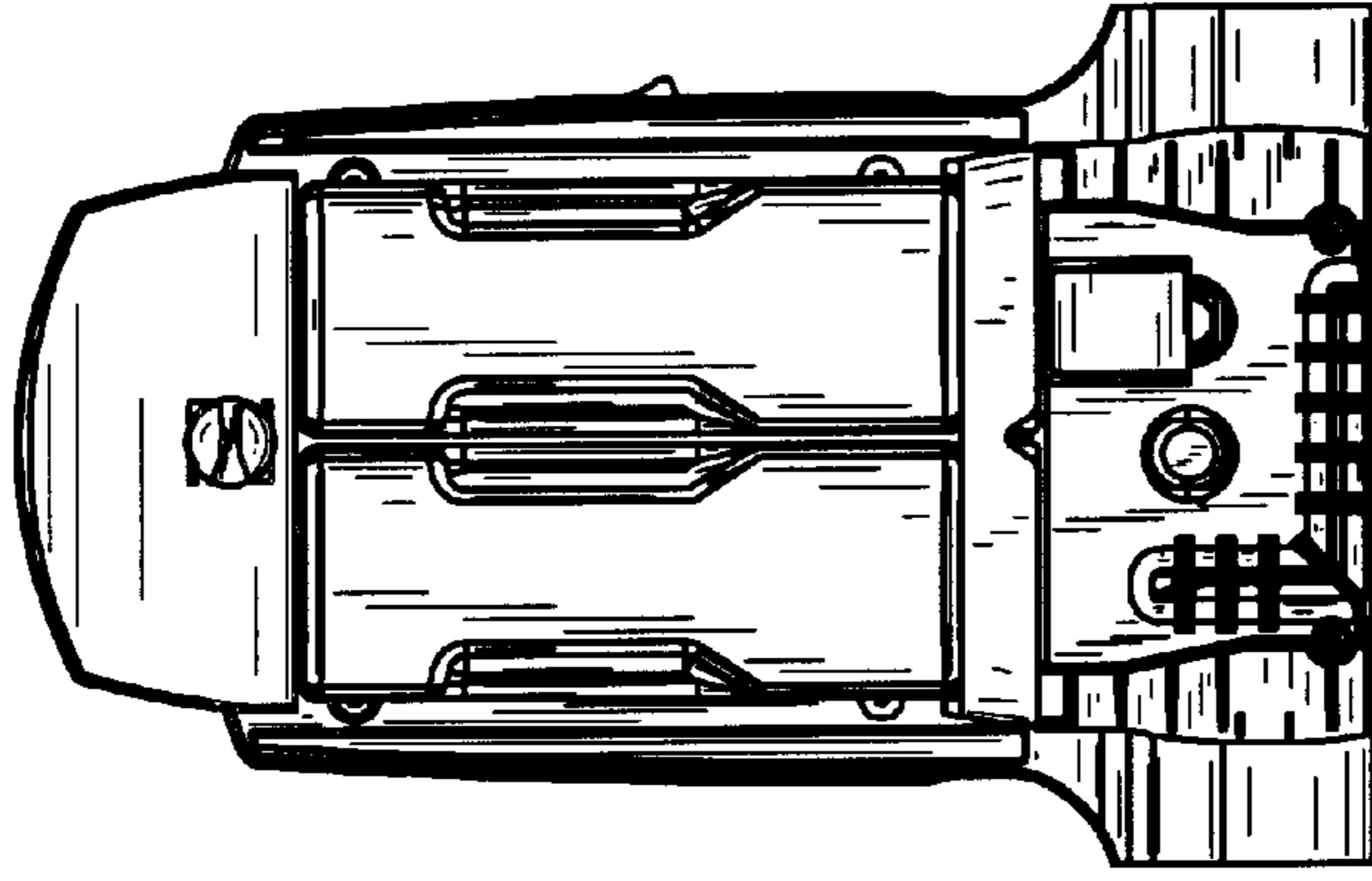
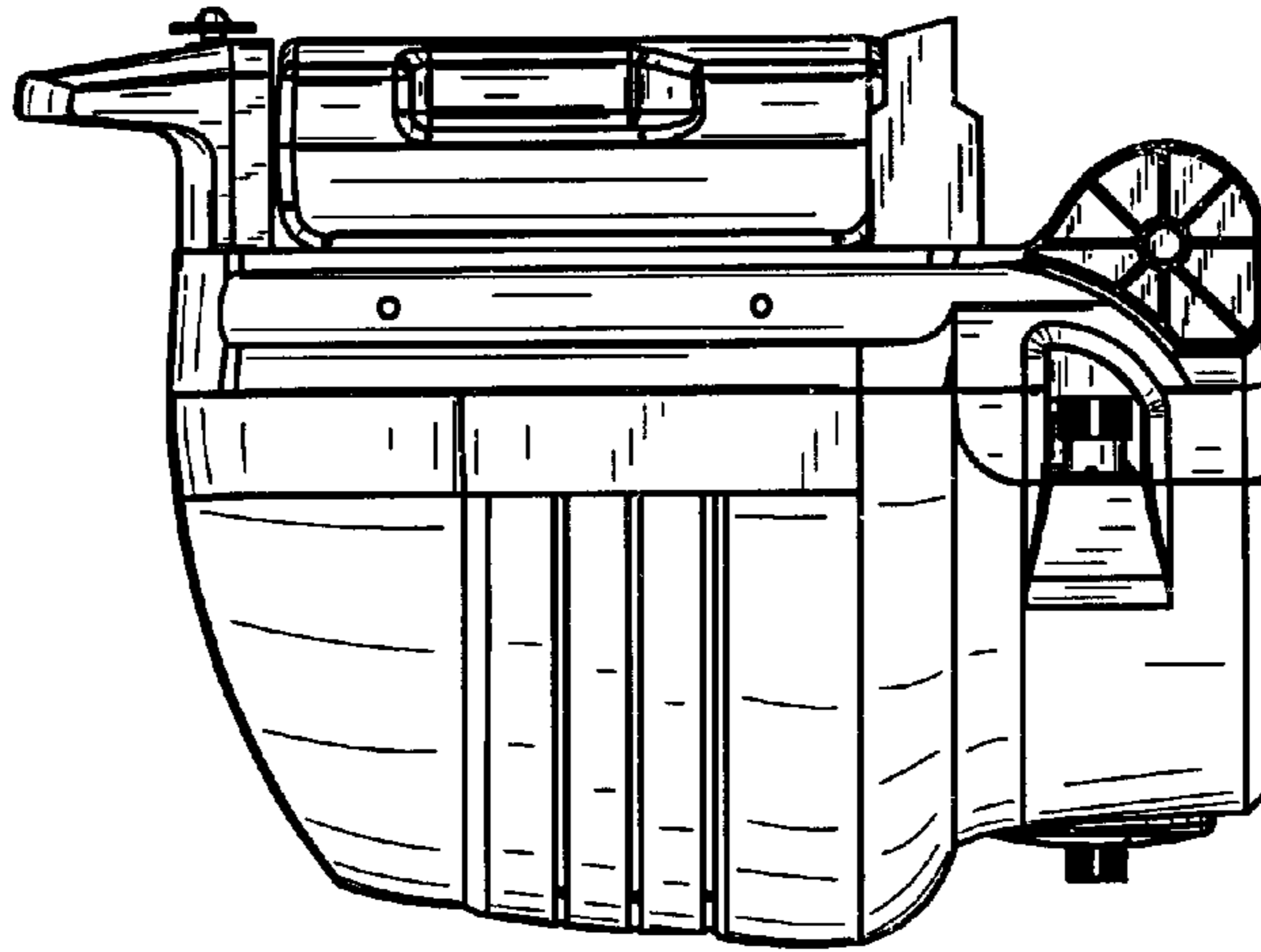


Fig.7



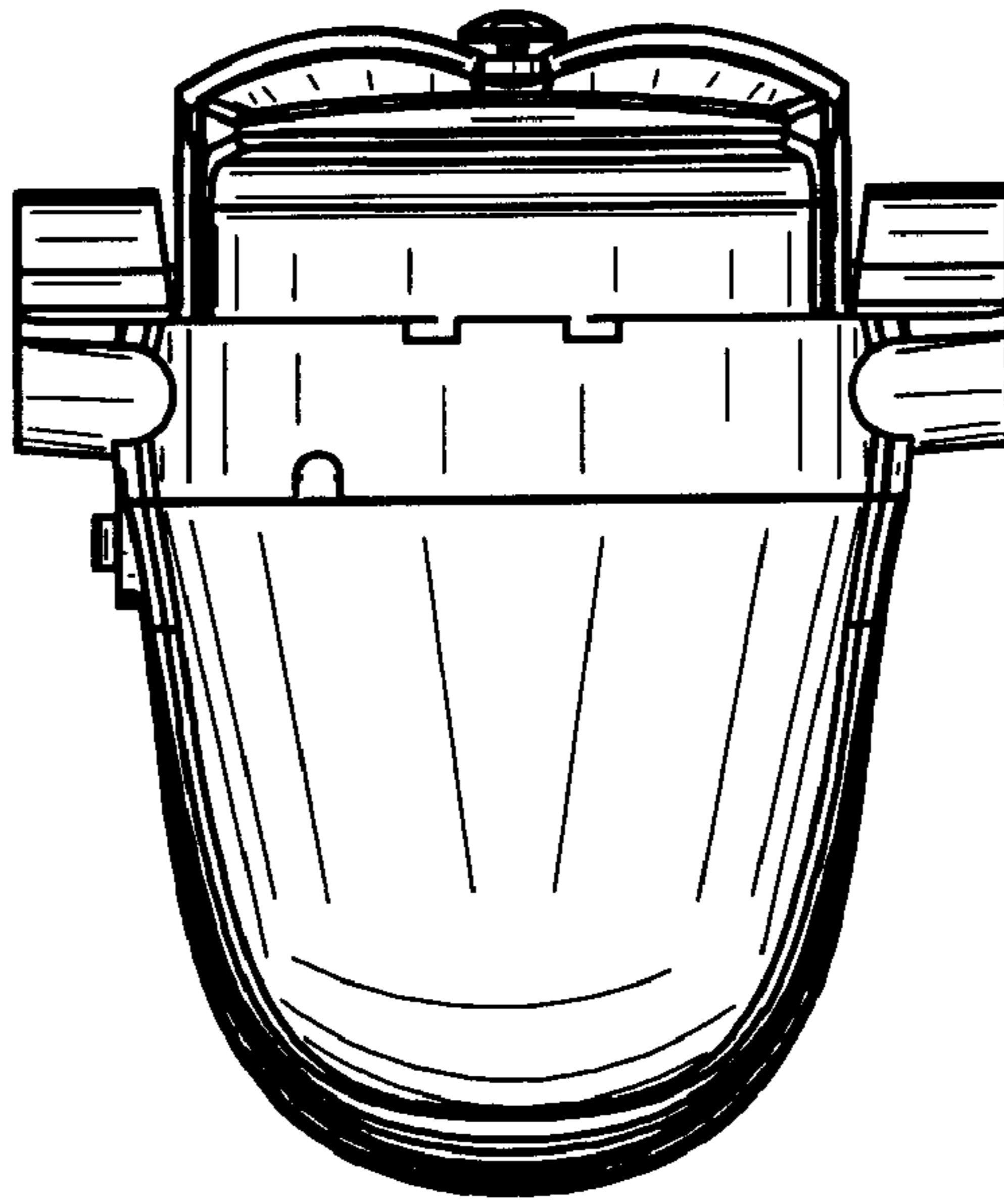


Fig.9

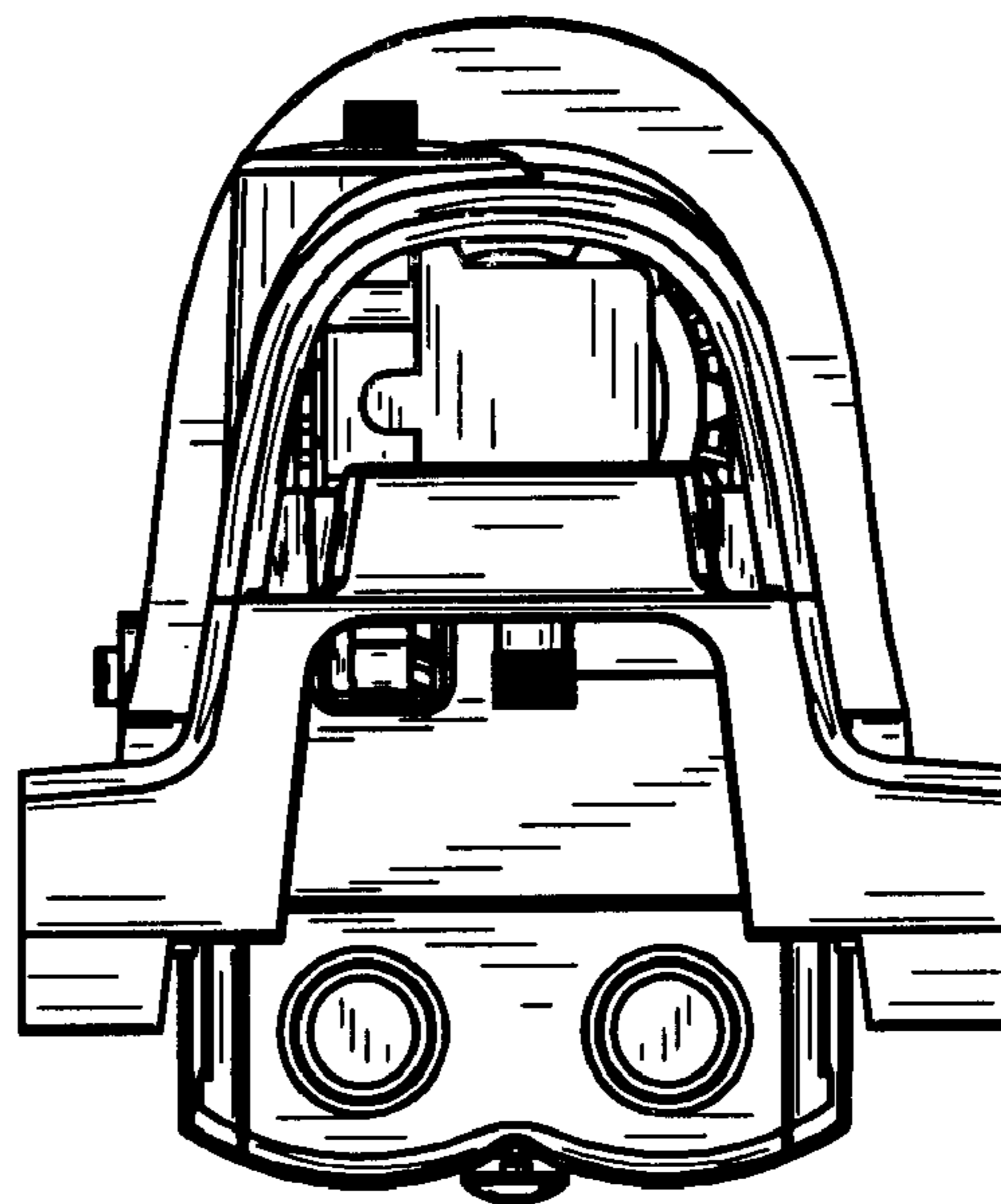


Fig.10

Fig.11

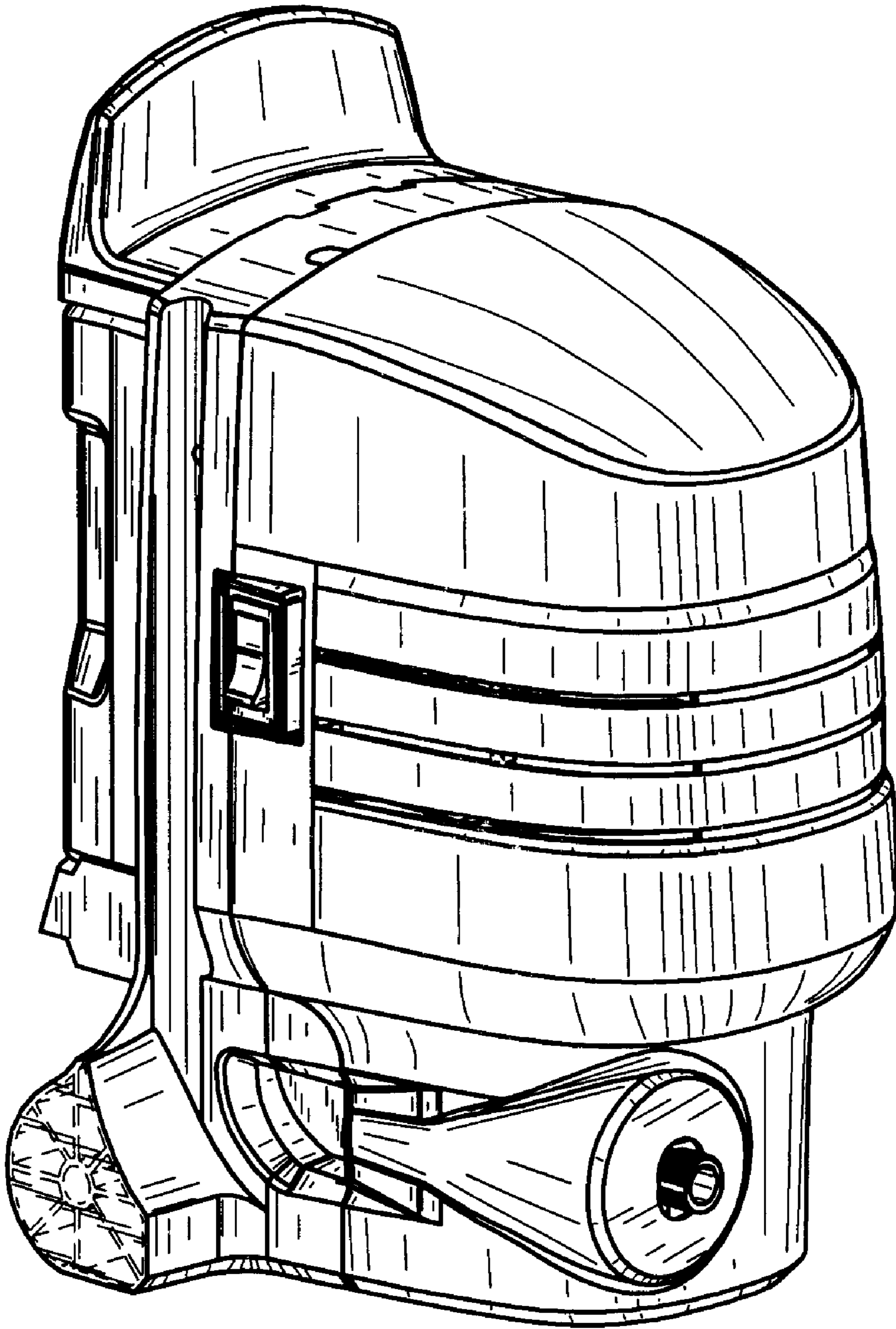


Fig.12

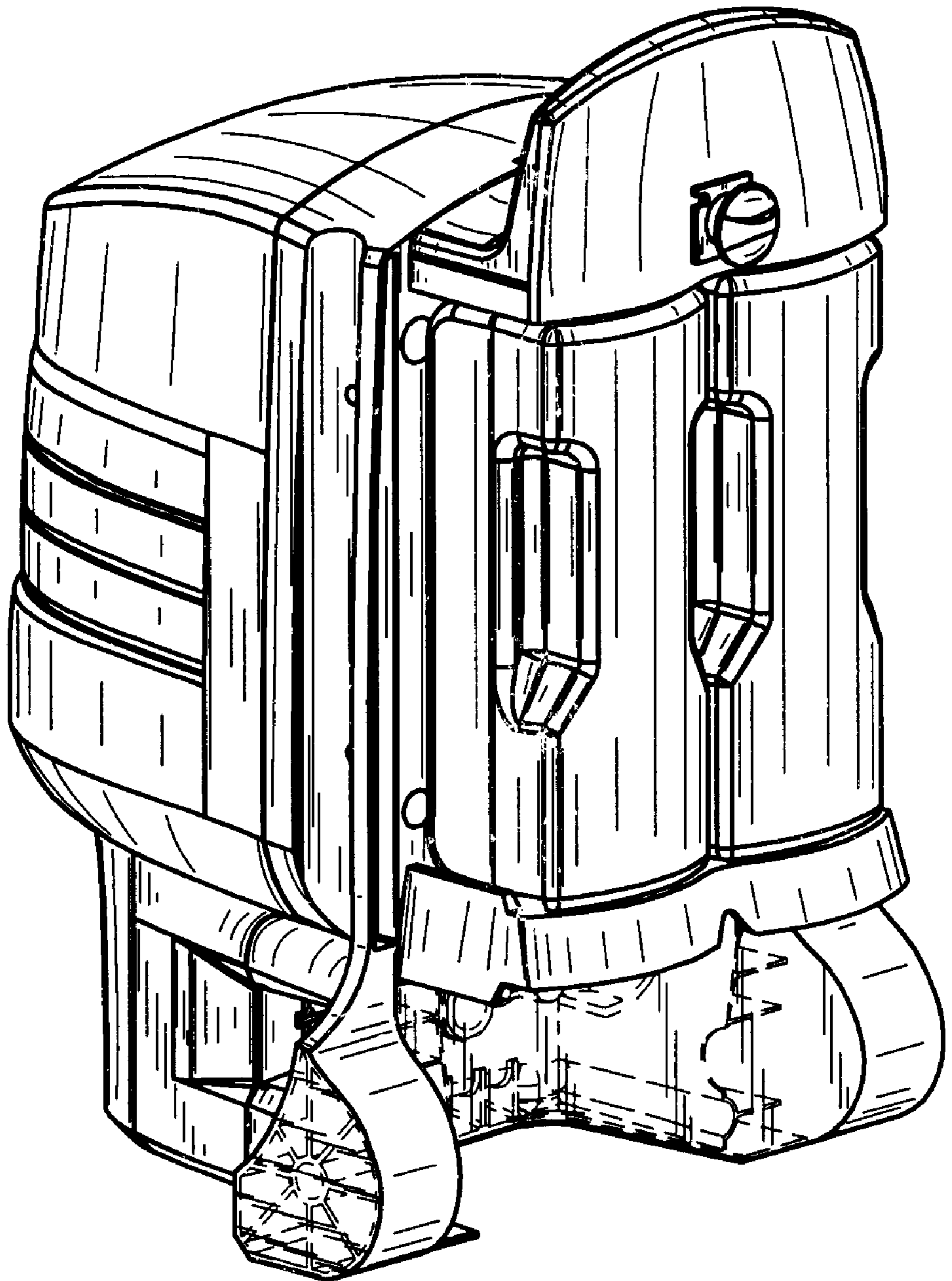


Fig.14

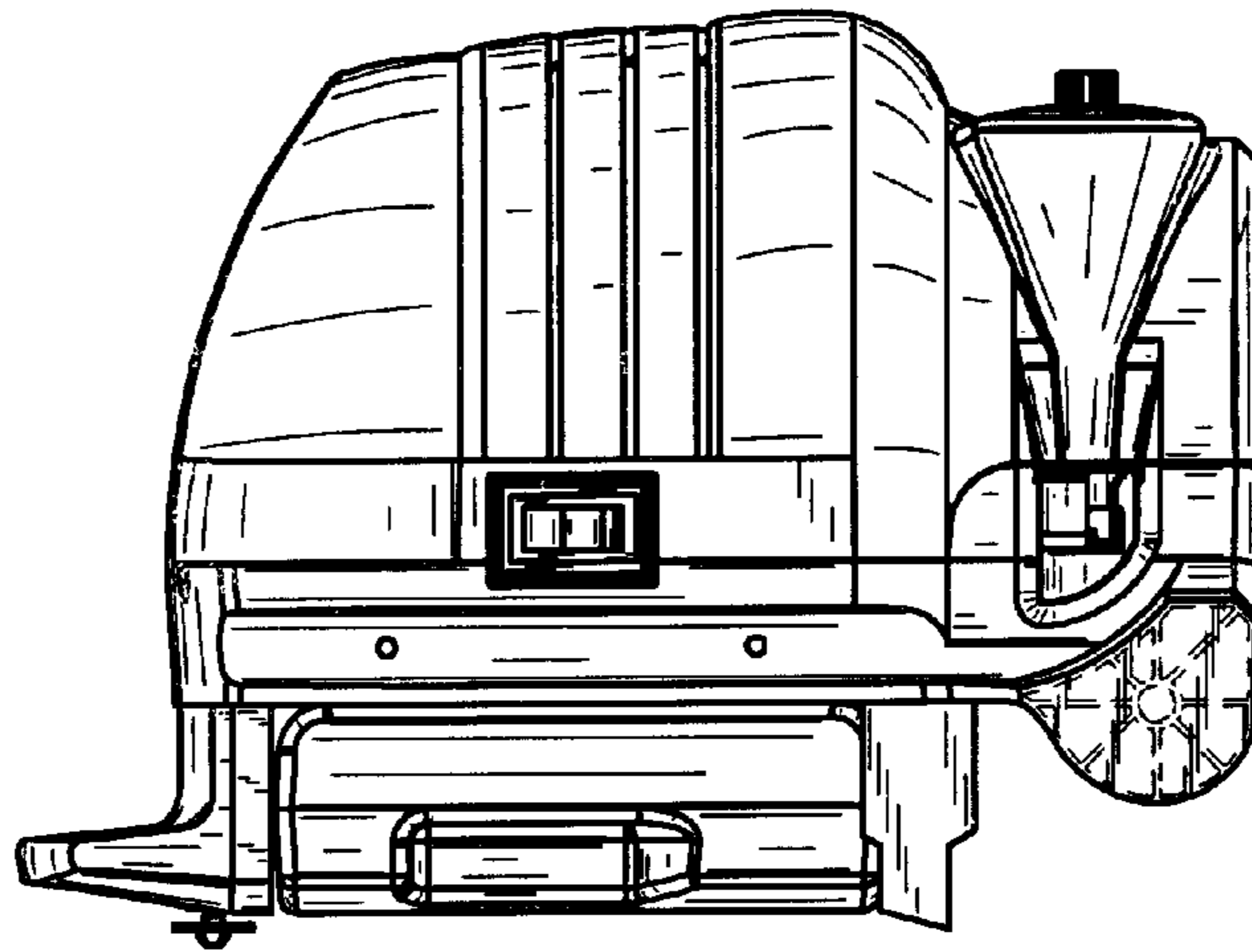
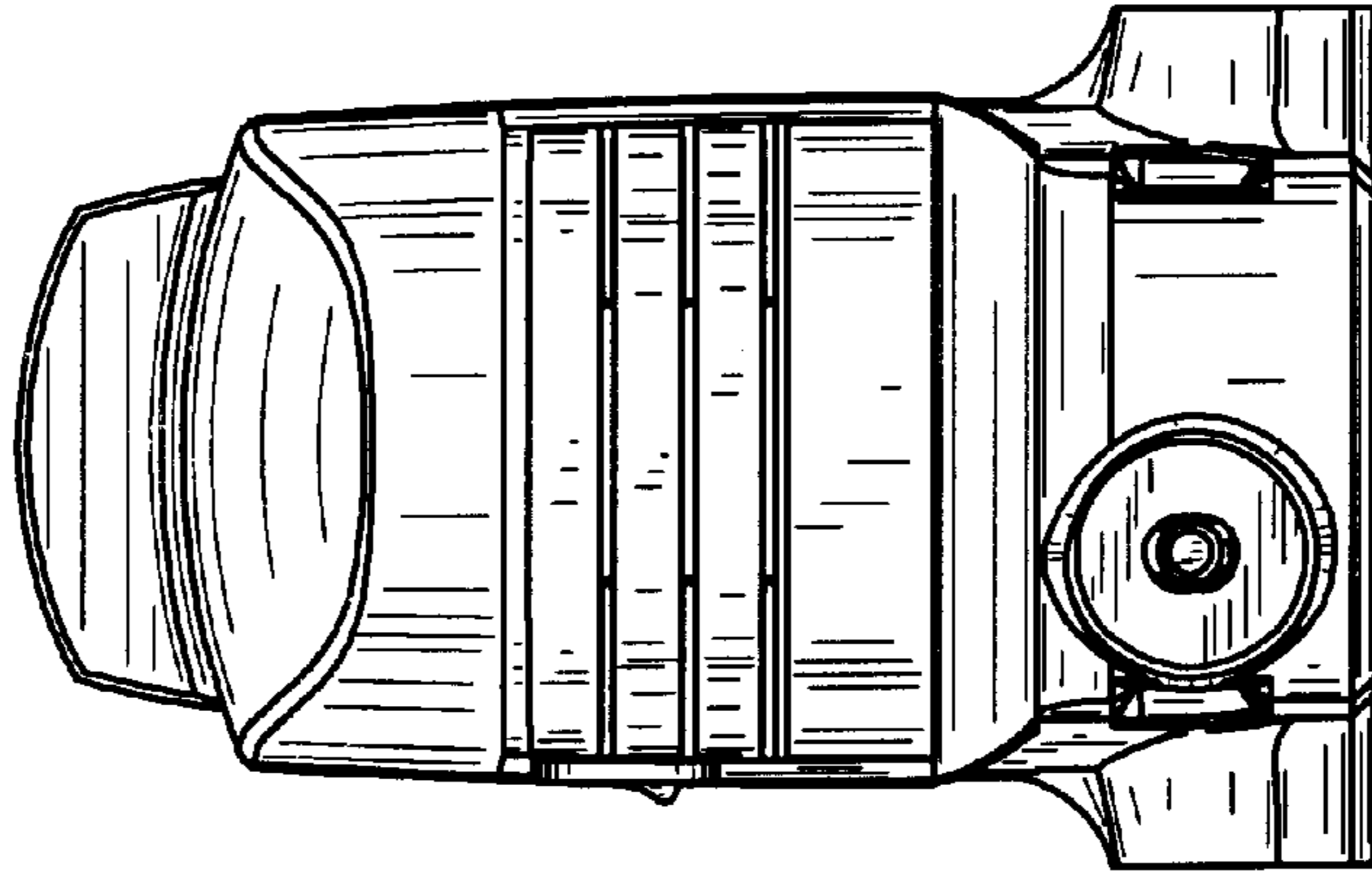


Fig.13

Fig.16

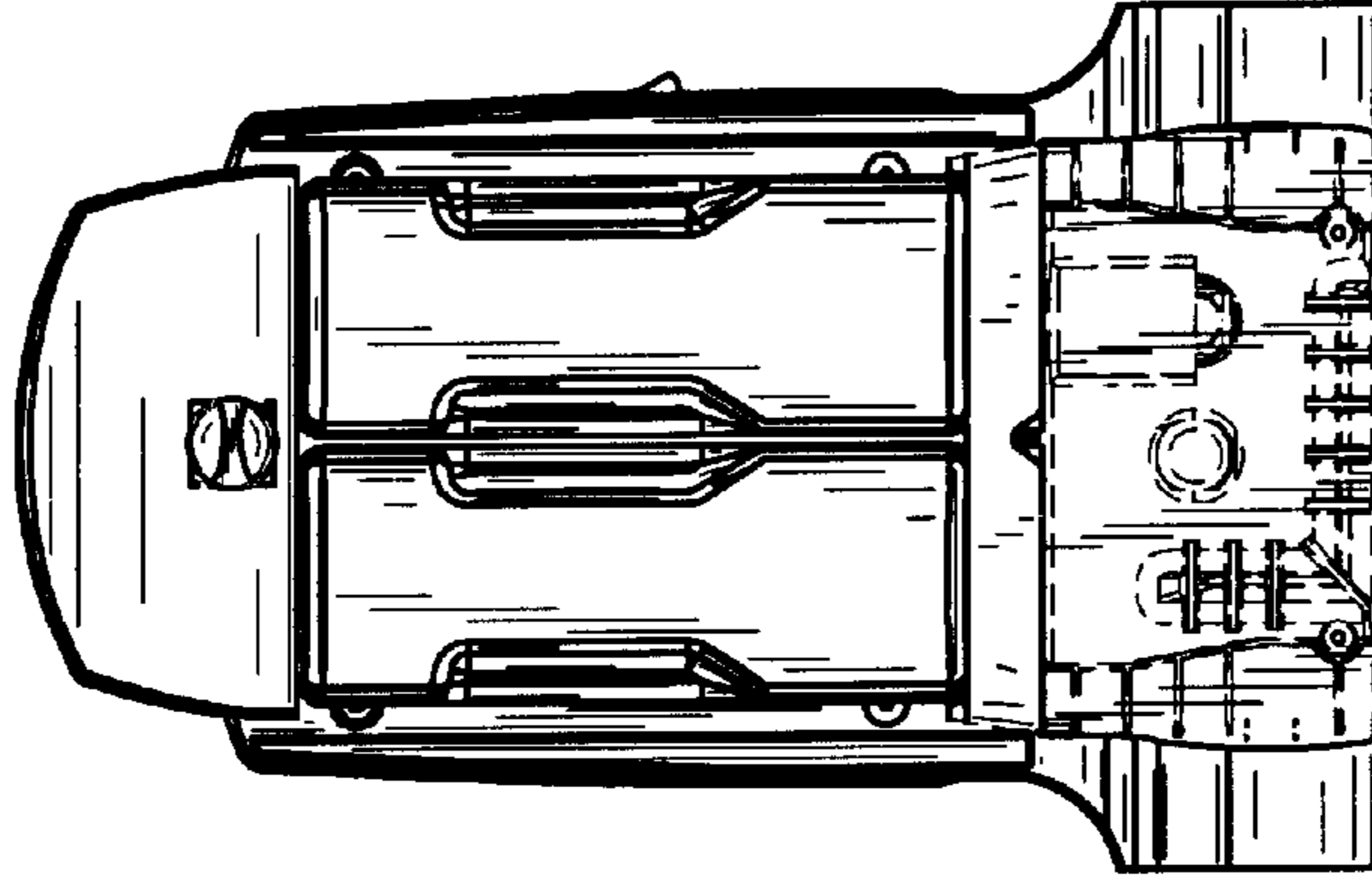
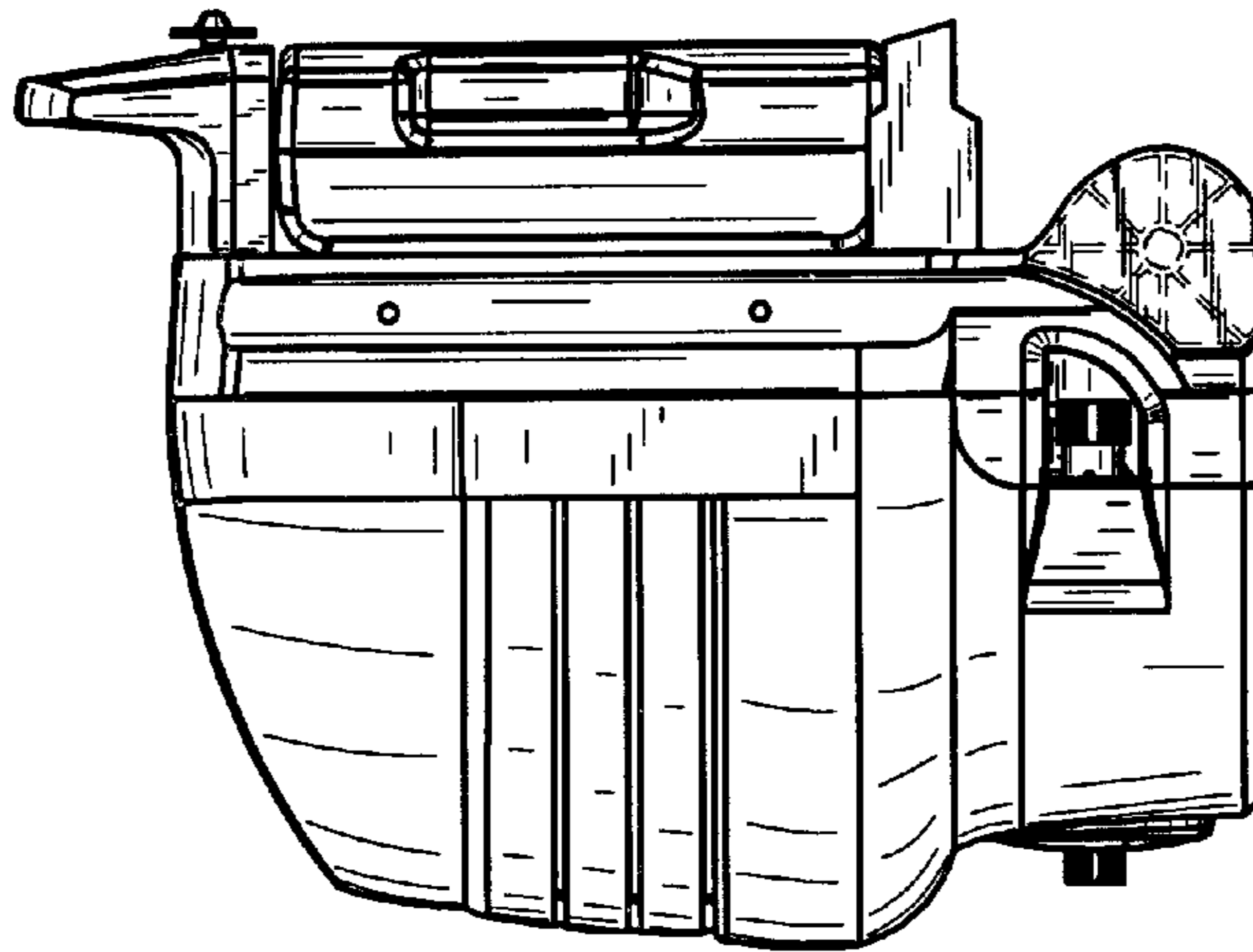


Fig.15



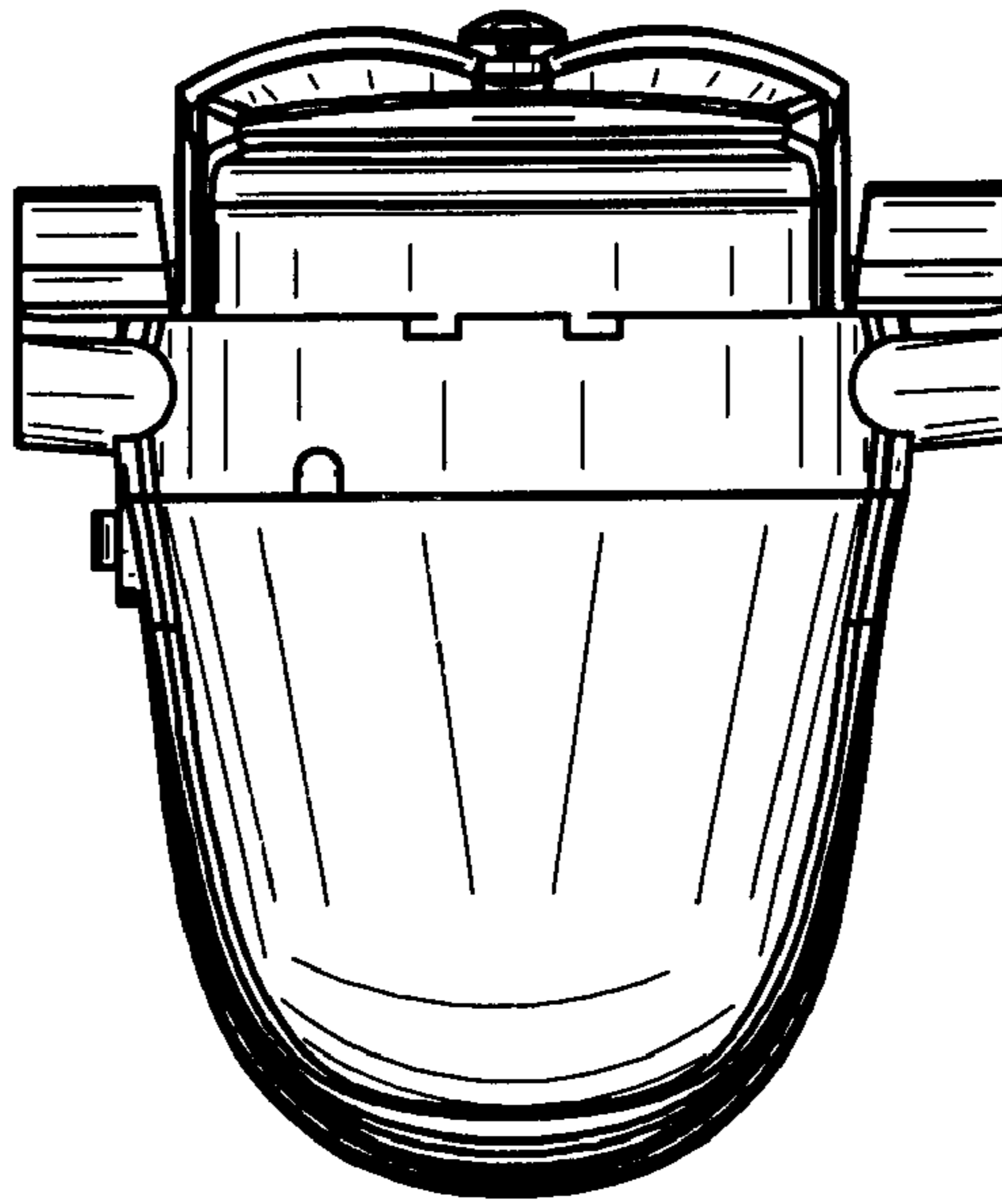


Fig.17

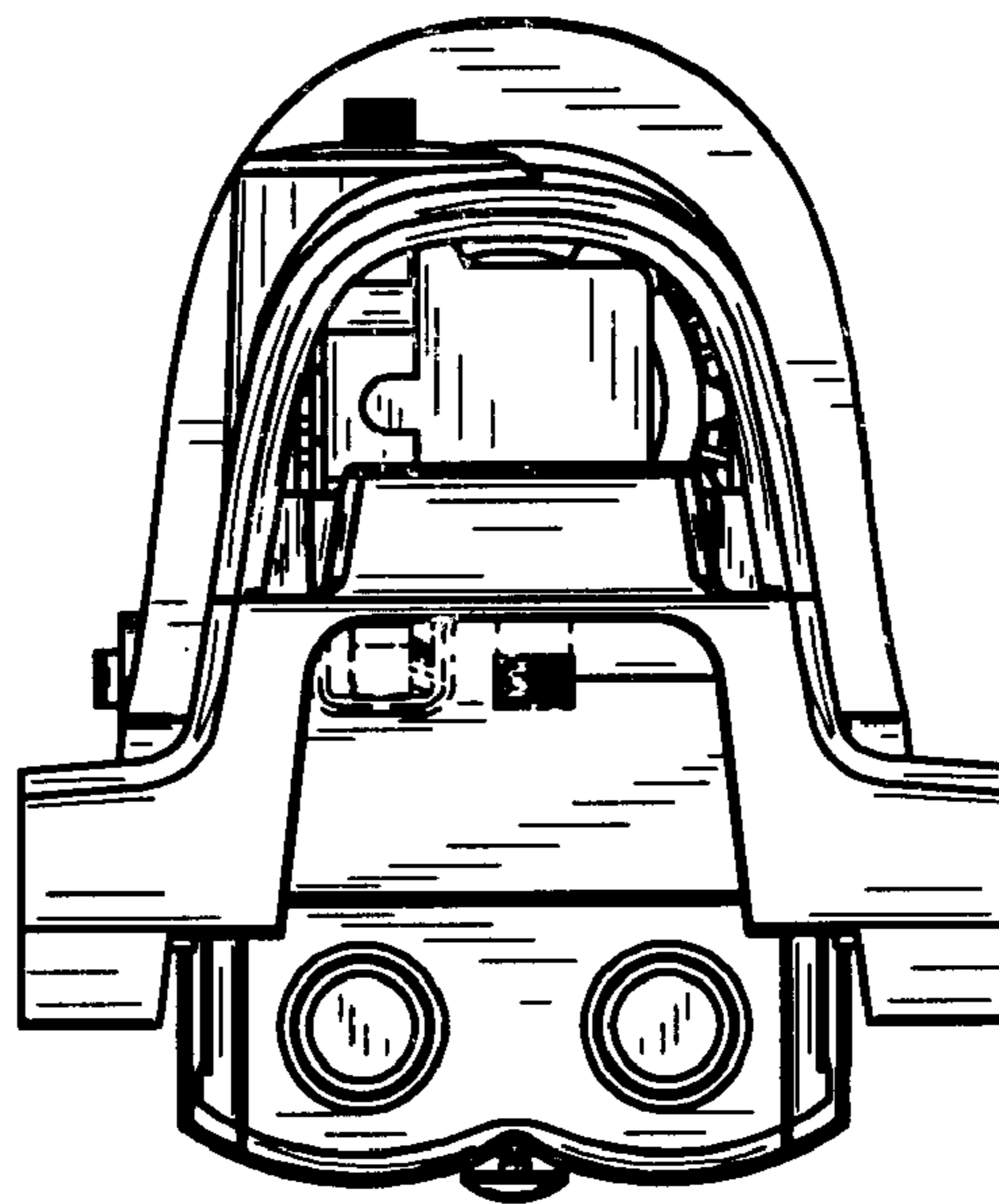


Fig.18