



US00D464457S

(12) **United States Design Patent**
Echito

(10) **Patent No.:** **US D464,457 S**

(45) **Date of Patent:** **** *Oct. 15, 2002**

(54) **DOUBLE PANEL UNDERCOUNTER LIGHT**

(75) **Inventor:** **Cory Echito, Mahwah, NJ (US)**

(73) **Assignee:** **American Tack Hardware Co., Inc.,
Monsey, NY (US)**

(*) **Notice:** This patent is subject to a terminal disclaimer.

(**) **Term:** **14 Years**

(21) **Appl. No.:** **29/143,647**

(22) **Filed:** **Jun. 14, 2001**

(51) **LOC (7) Cl.** **26-03**

(52) **U.S. Cl.** **D26/76**

(58) **Field of Search** D26/28, 35, 72,
D26/80-92; 362/147, 404-408, 33, 240,
249, 250, 252, 217-223

(56) **References Cited**

U.S. PATENT DOCUMENTS

D267,516 S * 1/1983 Rambusch et al. D26/72
4,930,056 A * 5/1990 Stephenson et al. 362/364
D313,863 S * 1/1991 Maculuso D26/29
D411,324 S * 6/1999 Roorda D26/87

D411,325 S * 6/1999 Roorda D26/87

D411,326 S * 6/1999 Roorda D26/87

D452,340 S * 12/2001 Pickett et al. D26/76

* cited by examiner

Primary Examiner—Alan P. Douglas

Assistant Examiner—Clare E. Heflin

(74) *Attorney, Agent, or Firm*—Hedman & Costigan, P.C.

(57) **CLAIM**

The ornamental design for a double panel undercounter light, as shown and described.

DESCRIPTION

FIG. 1 is a bottom perspective view of the double panel undercounter light according to my design;

FIG. 2 is a front view of my design;

FIG. 3 is a left side view of my design which is substantially a mirror image of the right side view;

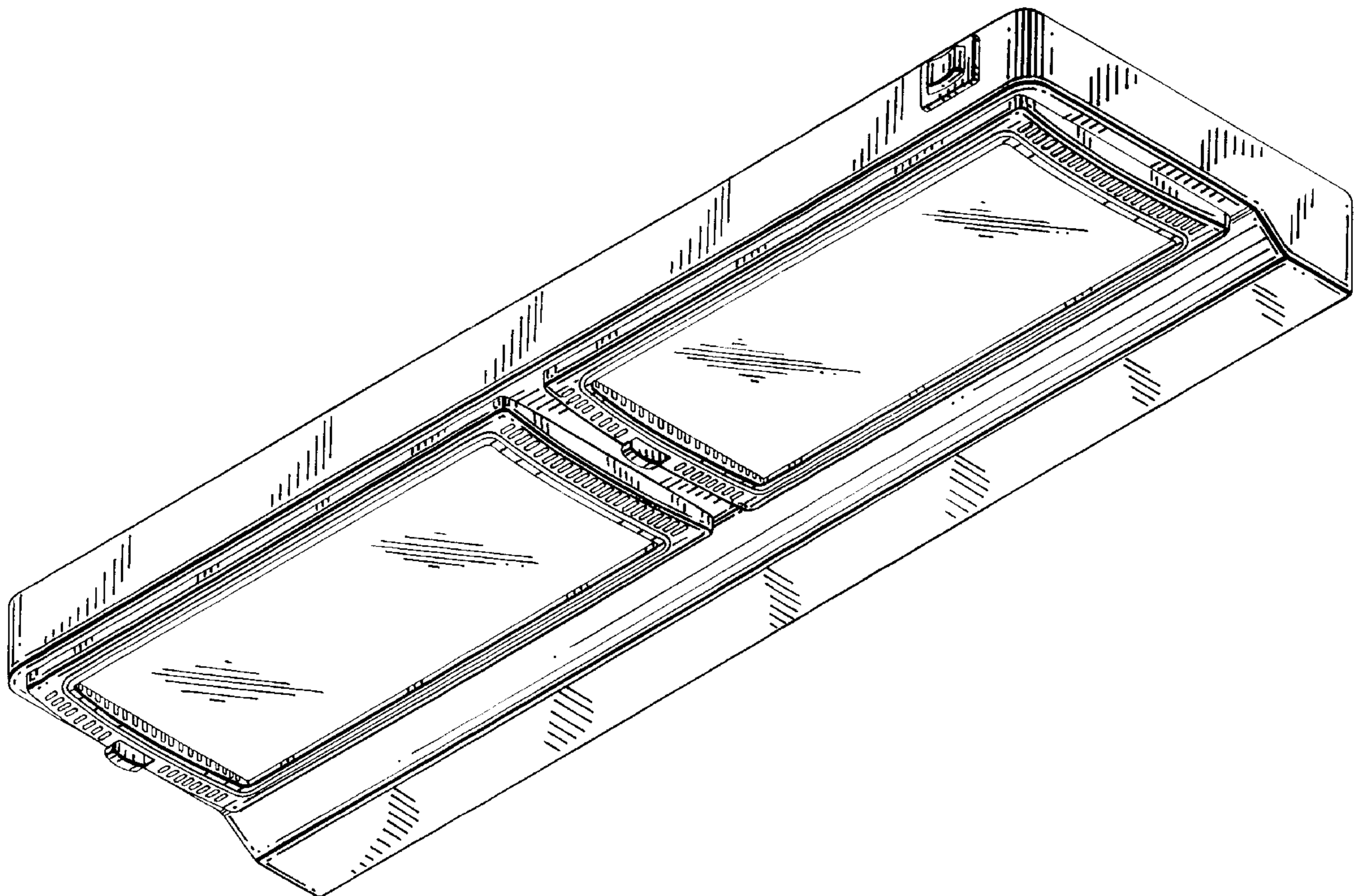
FIG. 4 is a back view of my design;

FIG. 5 is a bottom view of my design; and,

FIG. 6 is a top view of my design.

The broken lines shown in FIG. 4 are for illustrative purposes only and form no part of the claimed design.

1 Claim, 4 Drawing Sheets



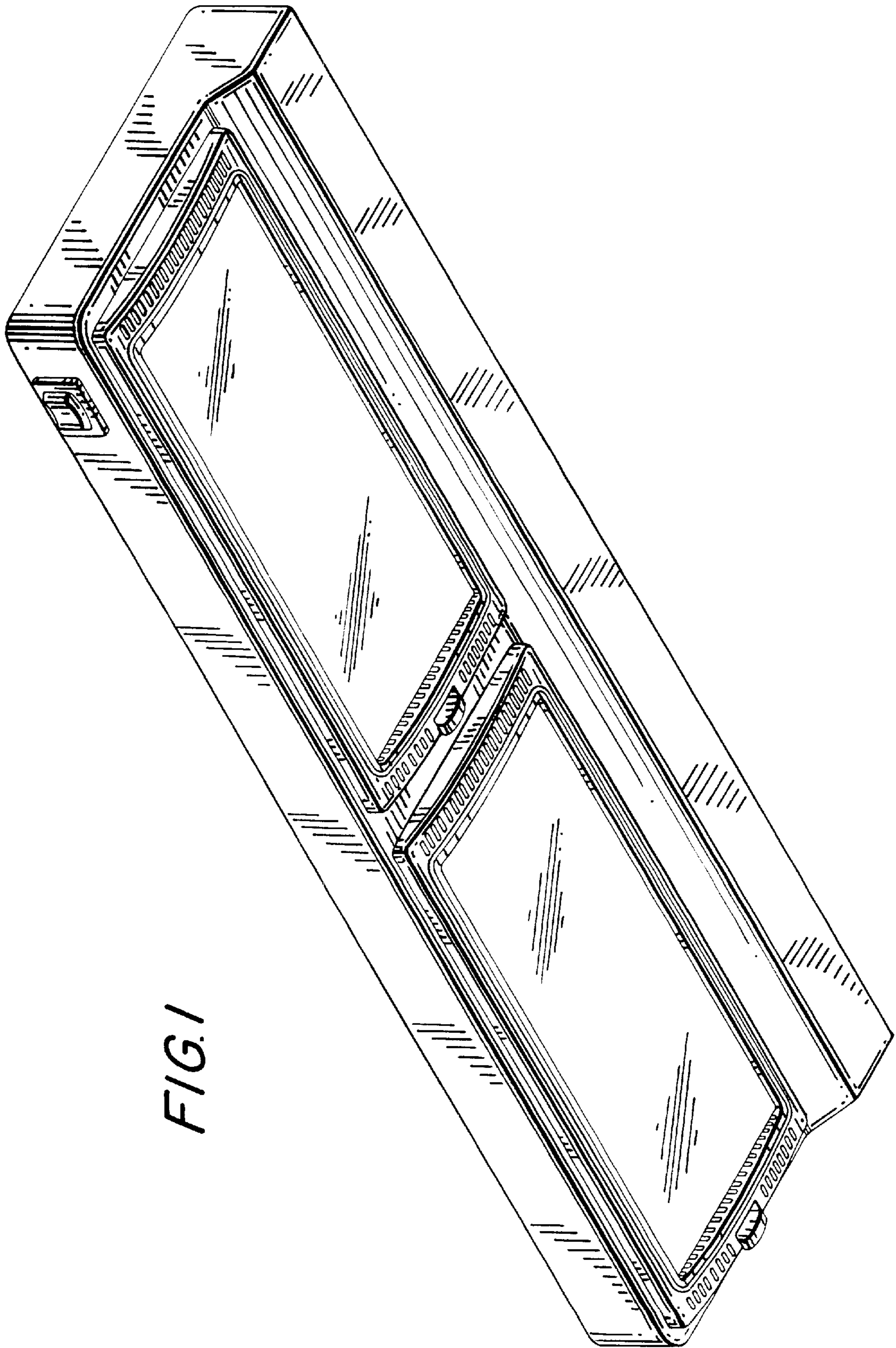


FIG. 1

FIG. 2

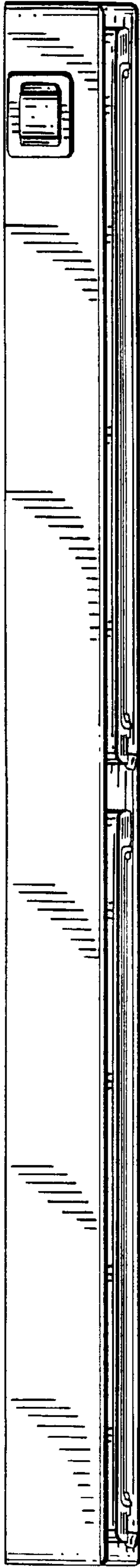


FIG. 3

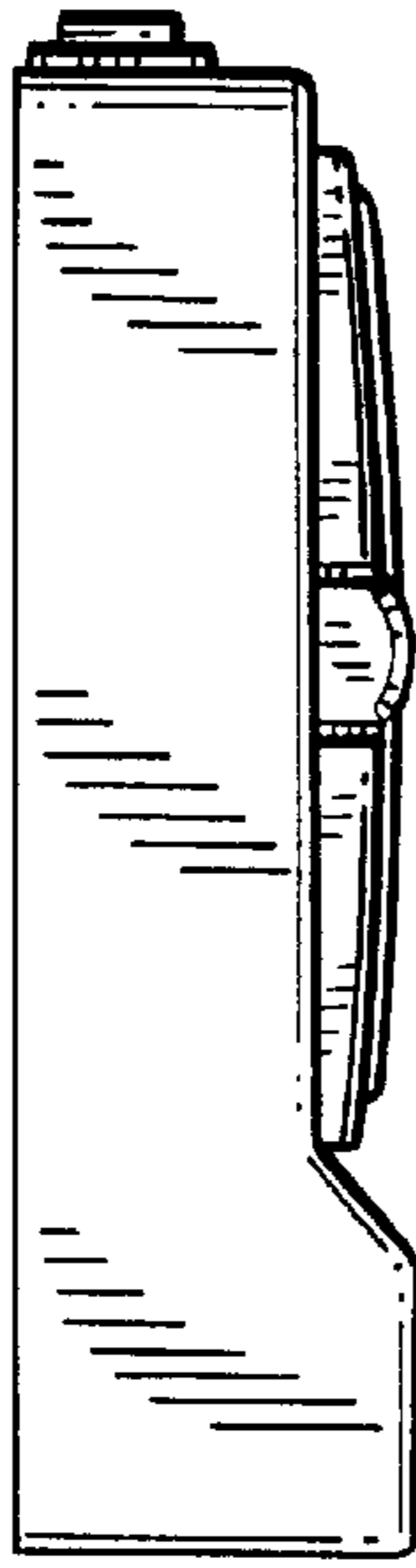


FIG. 4

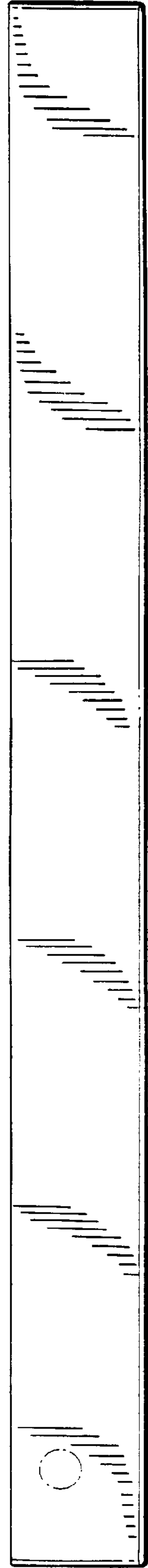


FIG. 5

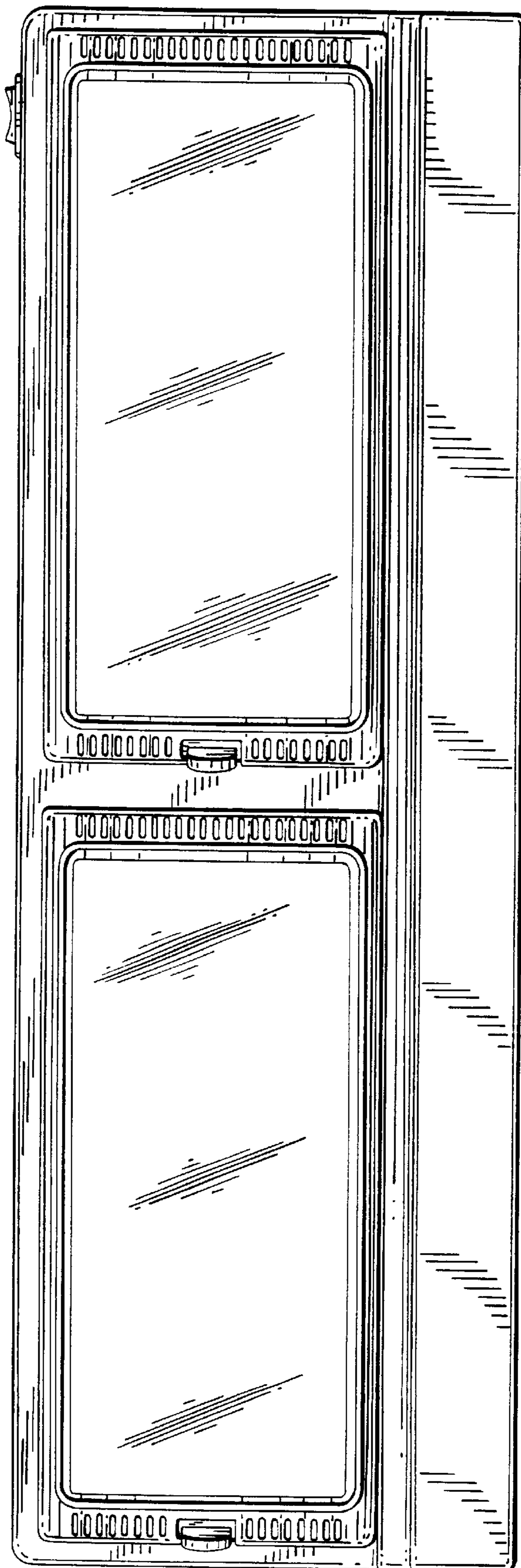


FIG. 6

