



US00D464455S

(12) **United States Design Patent**  
**Fong et al.**

(10) **Patent No.:** **US D464,455 S**

(45) **Date of Patent:** **\*\* Oct. 15, 2002**

(54) **TRACK LIGHTING LAMP FIXTURE**

(75) Inventors: **Franklin Fong**, Wheeling, IL (US);  
**John O'Rourke**, Downers Grove, IL  
(US); **Peter F. Wachter**, Northfield, IL  
(US)

(73) Assignee: **Juno Manufacturing, Inc.**, Des  
Plaines, IL (US)

(\*\*) Term: **14 Years**

(21) Appl. No.: **29/139,006**

(22) Filed: **Mar. 21, 2001**

(51) **LOC (7) Cl.** ..... **26-05**

(52) **U.S. Cl.** ..... **D26/63**

(58) **Field of Search** ..... D26/72-92, 24,  
D26/61-66; 362/287, 269, 371, 372, 390,  
217, 220, 270, 275, 418, 427, 404-408

(56) **References Cited**

**U.S. PATENT DOCUMENTS**

- D152,113 S \* 12/1948 Mehr
- 3,040,993 A \* 6/1962 Schultz
- 3,086,107 A \* 4/1963 Grover
- D205,082 S \* 6/1966 Morgan, Jr.

**OTHER PUBLICATIONS**

Gabbiano 1994 catalog item No.8590 on p. 39.\*  
Home Lighting and Accessories Jan. 1998, p. 94; "The  
Wishbone Trac" series on top right.\*

\* cited by examiner

*Primary Examiner*—Alan P. Douglas

*Assistant Examiner*—Clare E. Heflin

(74) *Attorney, Agent, or Firm*—Sonnenschein Nath &  
Rosenthal

(57) **CLAIM**

The ornamental design for a track lighting lamp fixture, as  
shown and described.

**DESCRIPTION**

FIG. 1 is a right perspective view of a track lighting lamp  
fixture in a selected tilted position showing the new design.

FIG. 2 is a left side elevational view of the track lighting  
lamp fixture shown in FIG. 1, the right side elevational view  
being a mirror image of the left side elevational view.

FIG. 3 is a bottom elevational view of the track lighting lamp  
fixture shown in FIG. 1 taken along the tilted axis of the  
fixture.

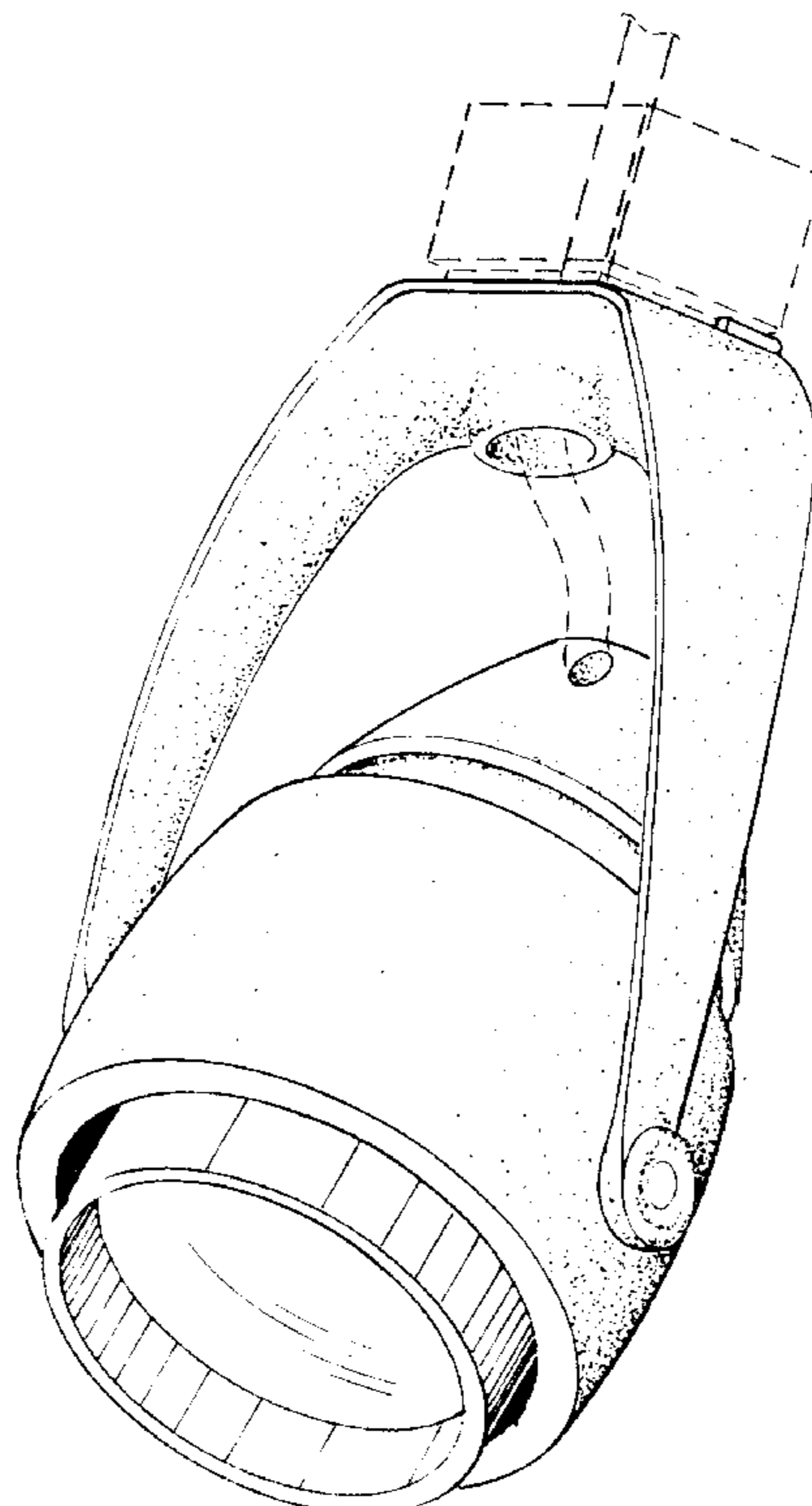
FIG. 4 is a top plan view of the track lighting lamp fixture  
shown in FIG. 1 taken along the tilted axis of the fixture.

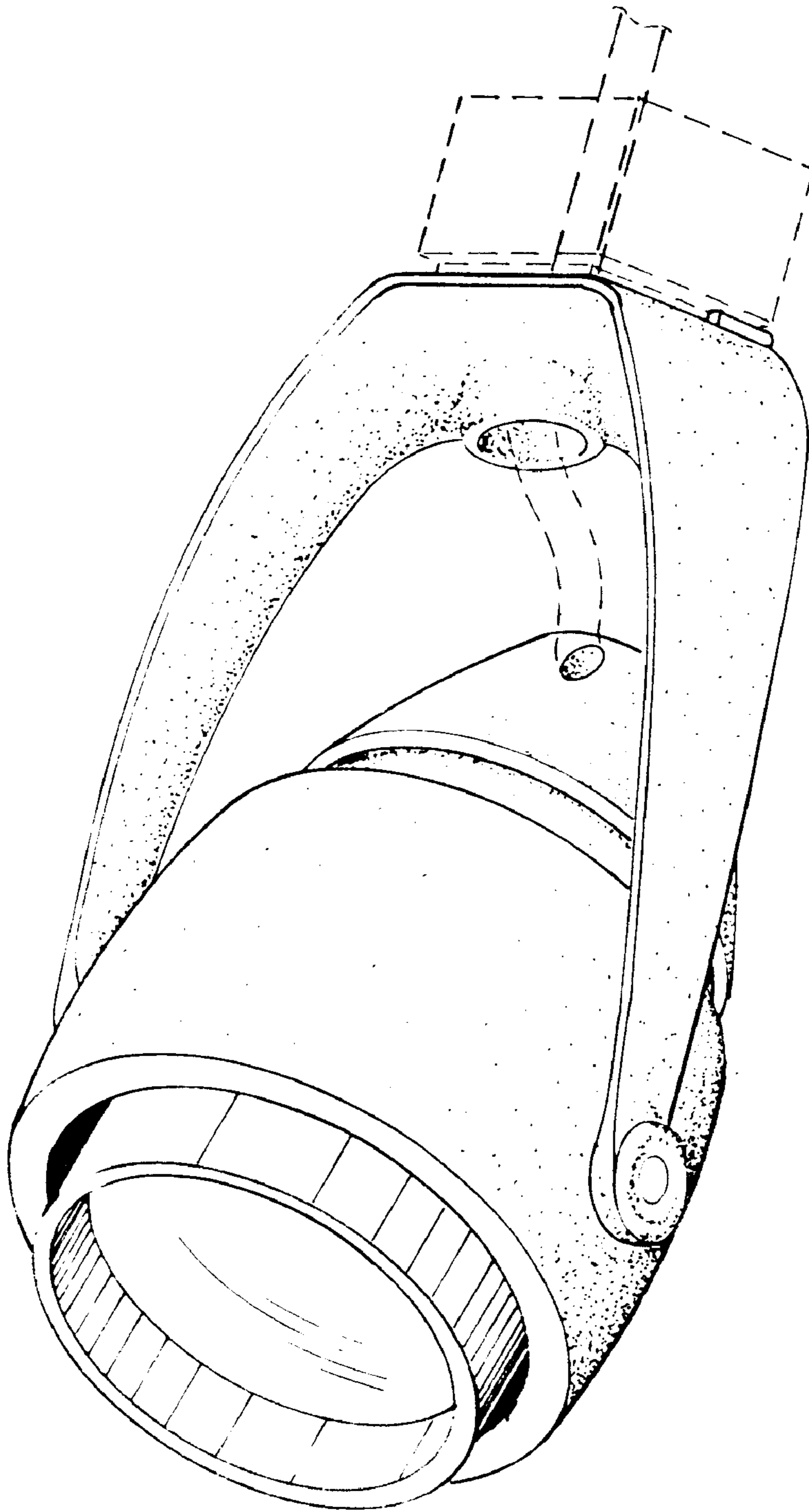
FIG. 5 is a front elevational view of the track lighting lamp  
fixture shown in FIG. 1 in a position substantially parallel  
with the horizontal plane; and,

FIG. 6 is a rear elevational view of the track lighting lamp  
fixture shown in FIG. 5.

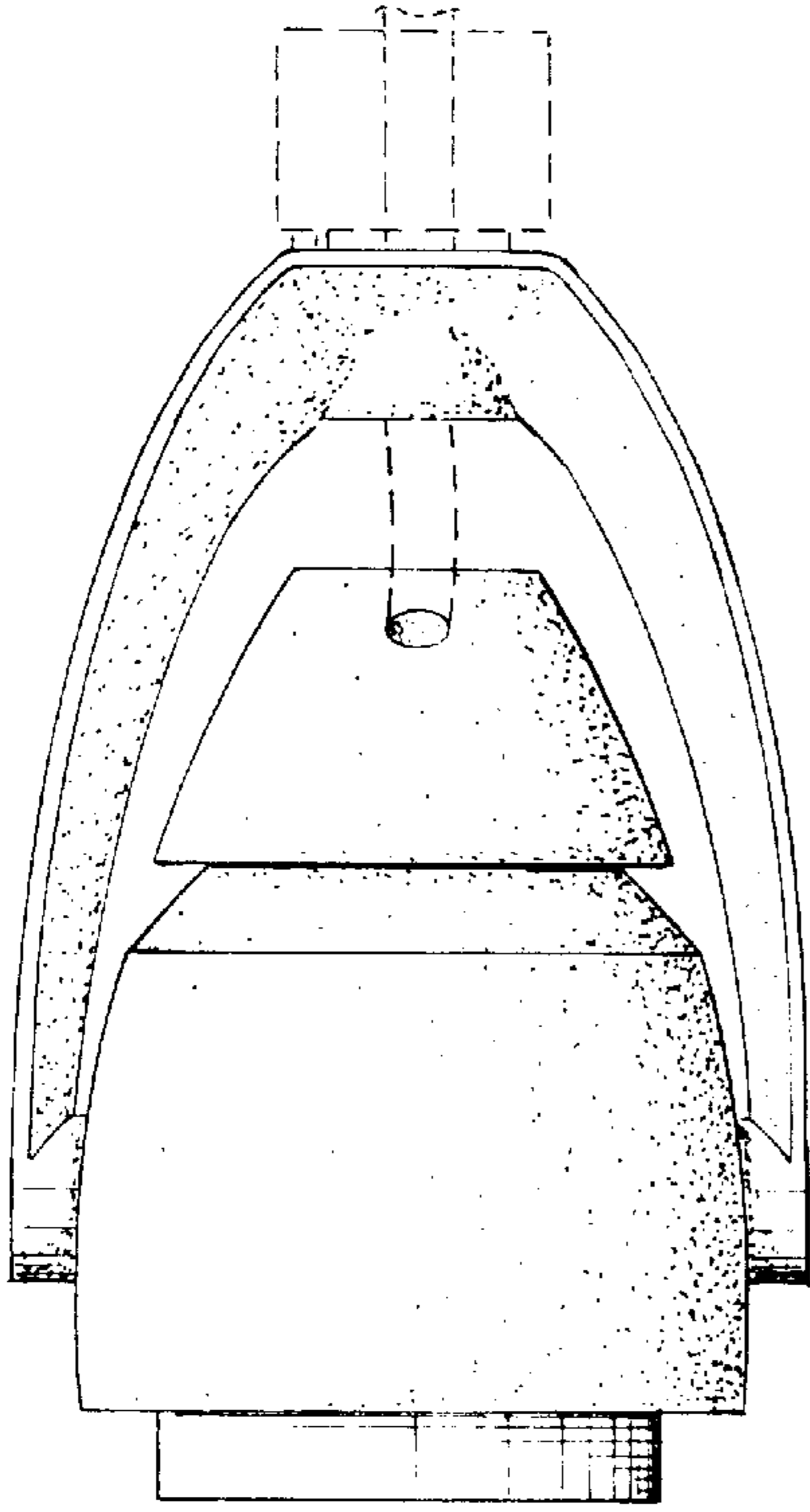
Features shown in dash lines depict the environment and do  
not form part of the claimed design.

**1 Claim, 3 Drawing Sheets**

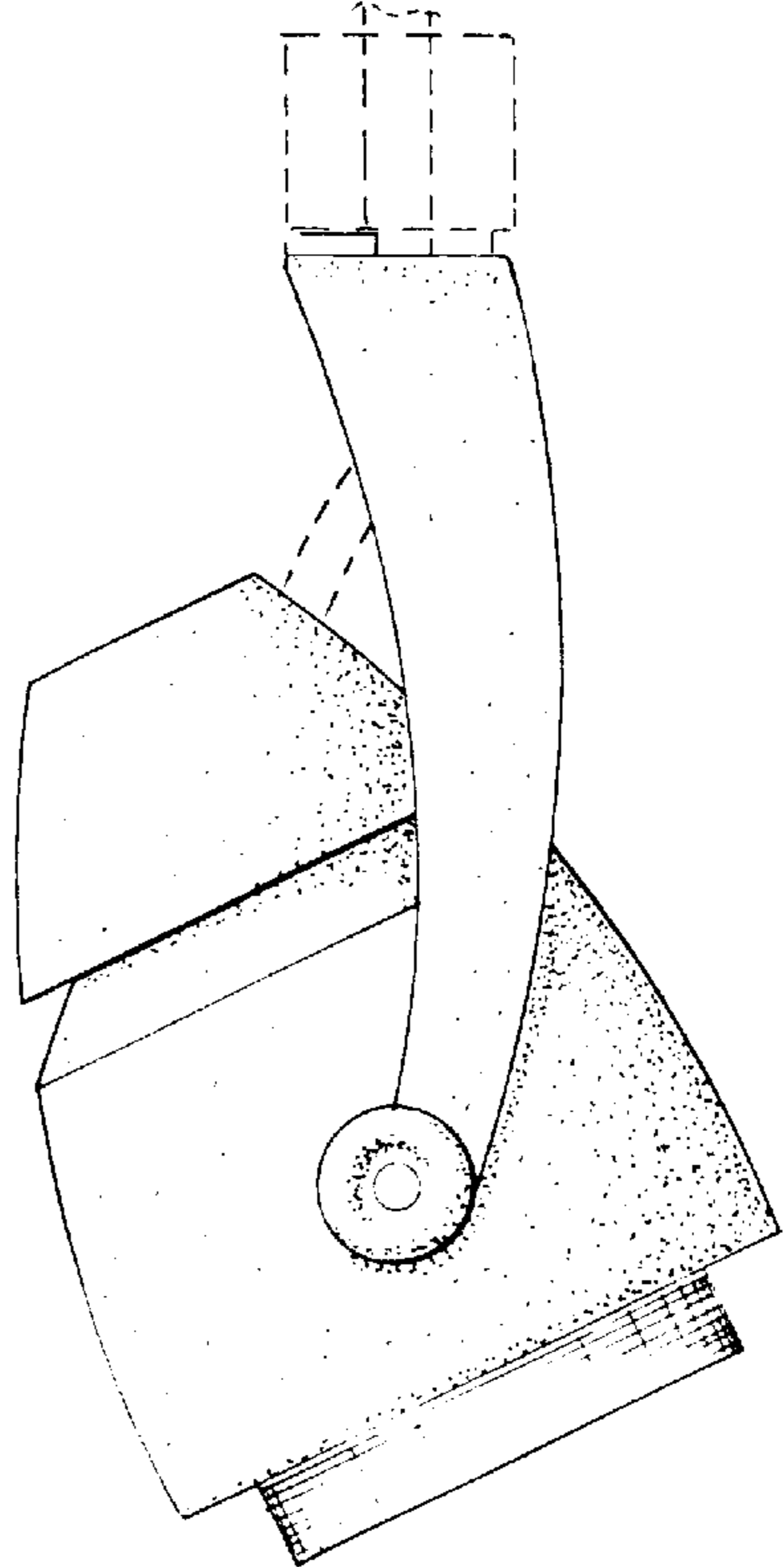




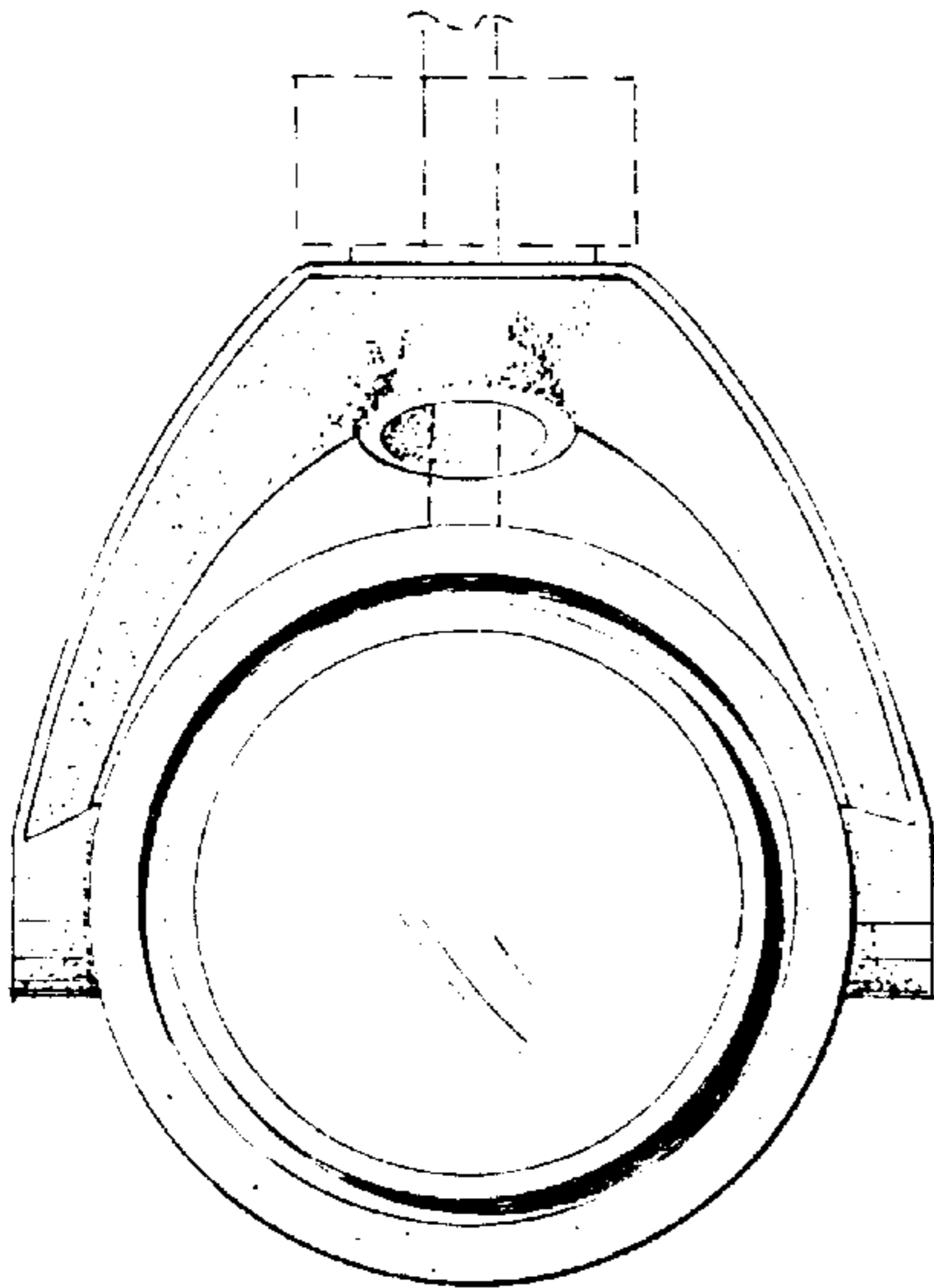
*Fig. 1*



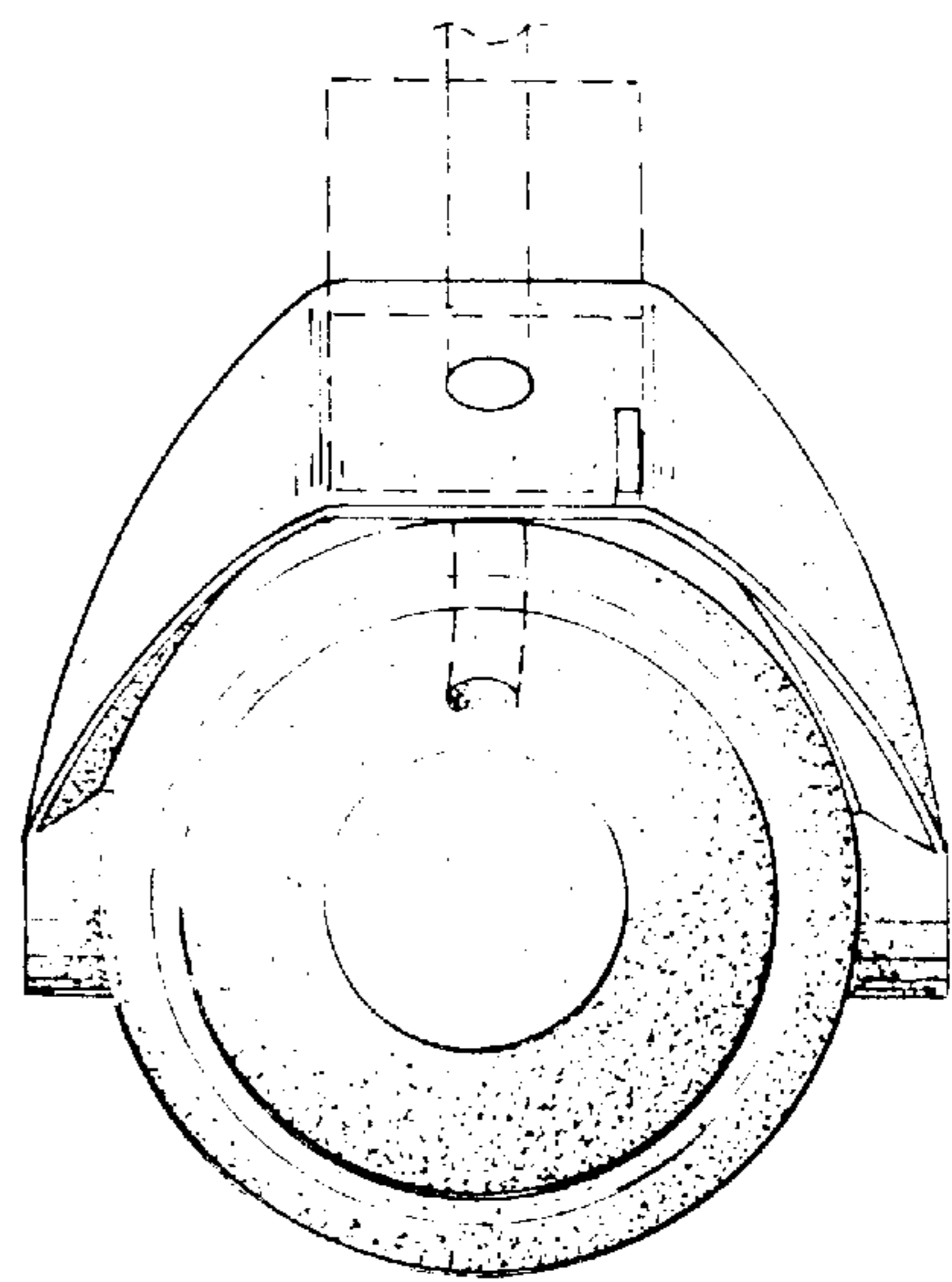
*Fig. 5*



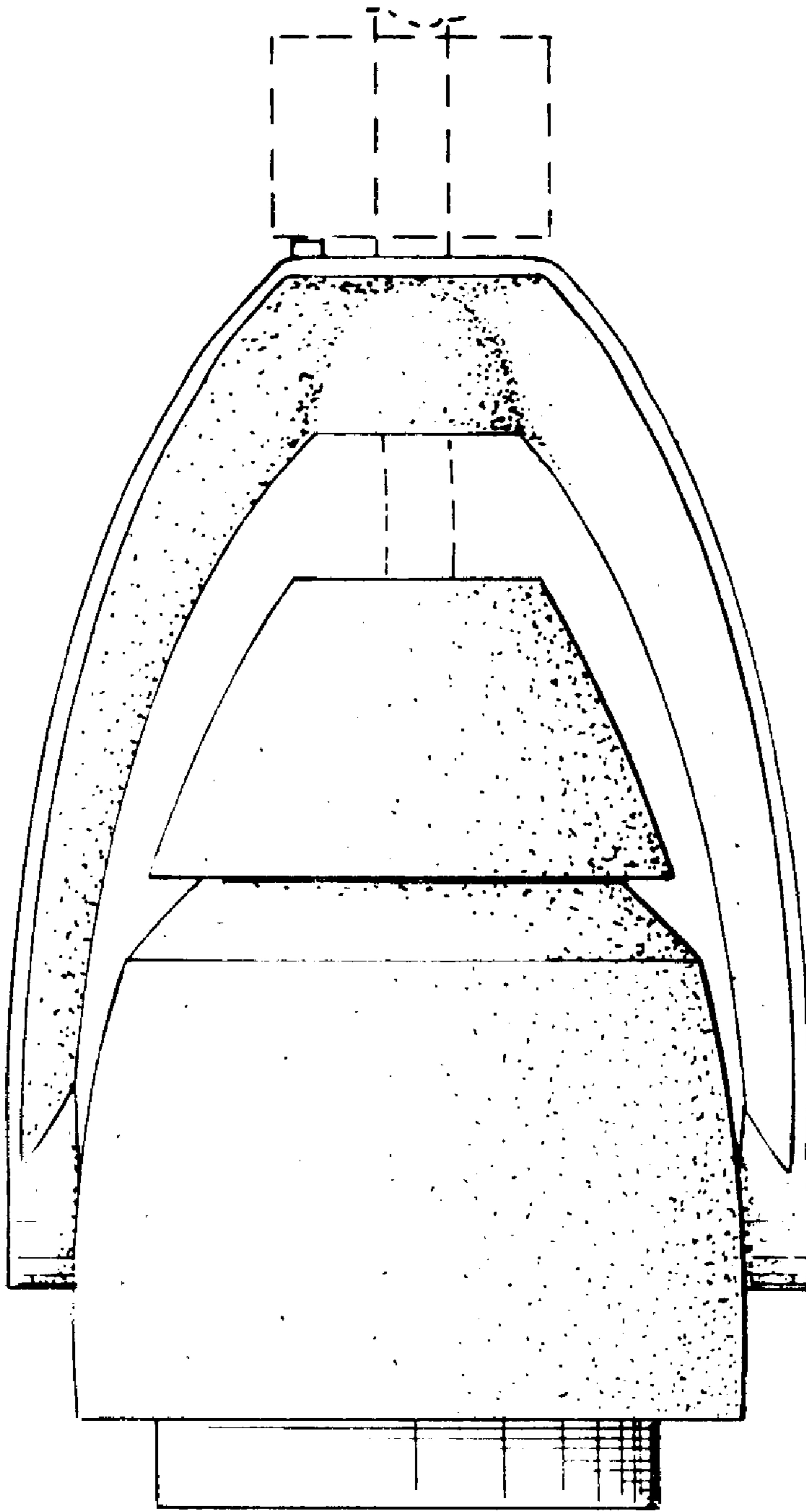
*Fig. 2*



*Fig. 3*



*Fig. 4*



*Fig. 6*