



US00D464451S

(12) **United States Design Patent**  
**Poon**

(10) **Patent No.:** **US D464,451 S**

(45) **Date of Patent:** **\*\* Oct. 15, 2002**

(54) **LANTERN**

(75) **Inventor:** **Tit Wing Poon, Shatin (CN)**

(73) **Assignee:** **Flying Dragon Development Ltd.,  
Shatin (CN)**

(\*\*) **Term:** **14 Years**

(21) **Appl. No.:** **29/143,898**

(22) **Filed:** **Jun. 21, 2001**

(30) **Foreign Application Priority Data**

Jan. 12, 2001 (HK) ..... 0110068

(51) **LOC (7) Cl.** ..... **26-02**

(52) **U.S. Cl.** ..... **D26/37**

(58) **Field of Search** ..... D26/37-50; 362/157,  
362/158, 171, 172, 173, 181-208

(56) **References Cited**

**U.S. PATENT DOCUMENTS**

D343,242 S \* 1/1994 Poon ..... D26/42

D374,098 S \* 9/1996 Lo ..... D26/37

D382,358 S \* 8/1997 Poon ..... D26/42

D451,220 S \* 11/2001 Long et al. .... D26/37

\* cited by examiner

*Primary Examiner*—Marcus A. Jackson

(74) *Attorney, Agent, or Firm*—Alix, Yale & Ristas, LLP

(57) **CLAIM**

The ornamental design for a lantern, as shown and described.

**DESCRIPTION**

FIG. 1 is a front perspective view of the lantern showing my new design;

FIG. 2 is a front view of the lantern of FIG. 1;

FIG. 3 is a left side view of the lantern of FIG. 1;

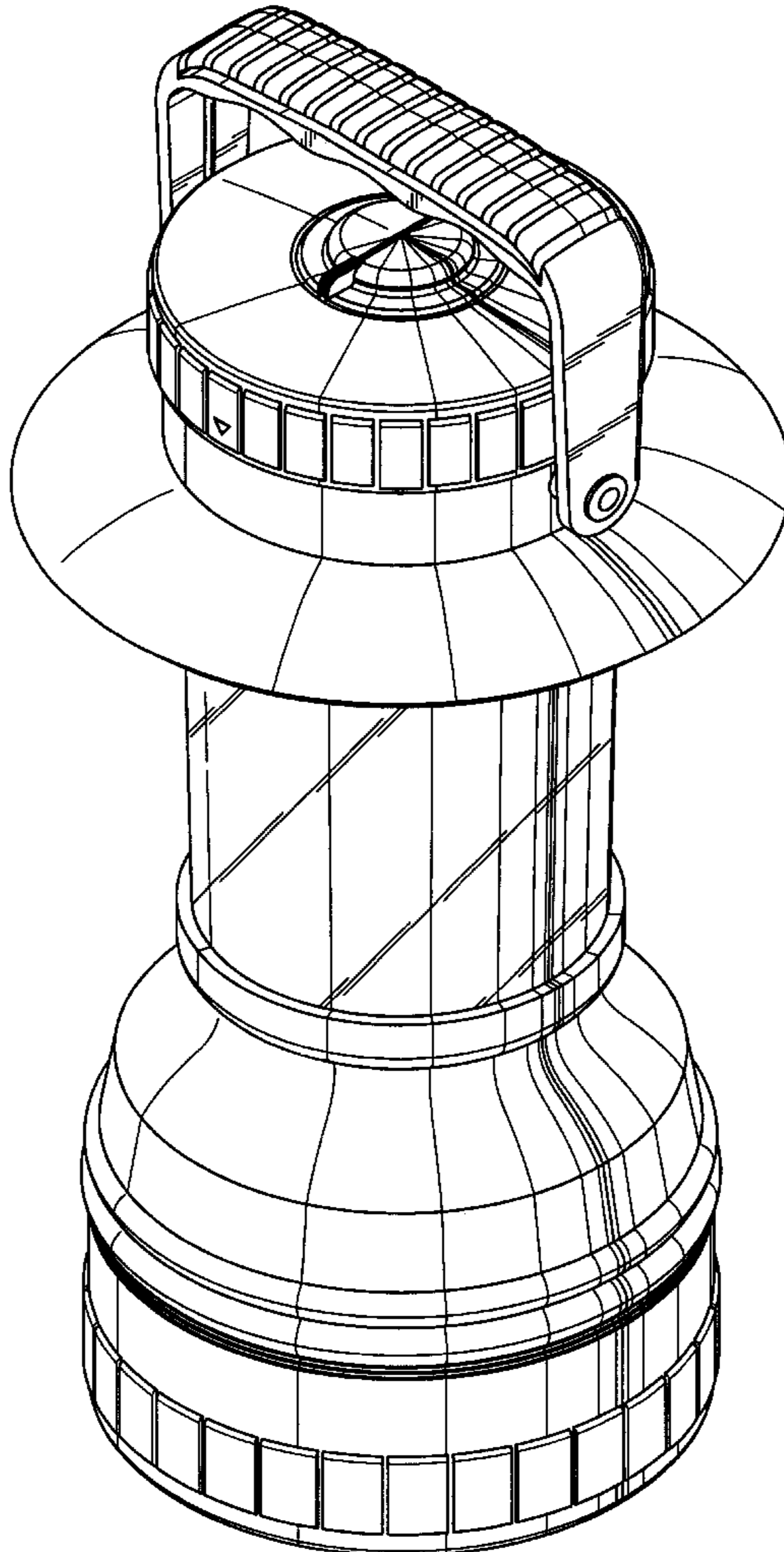
FIG. 4 is a right side view of the lantern of FIG. 1;

FIG. 5 is a rear view of the lantern of FIG. 1;

FIG. 6 is a top plan view of the lantern of FIG. 1; and,

FIG. 7 is a bottom plan view of the lantern of FIG. 1.

**1 Claim, 7 Drawing Sheets**



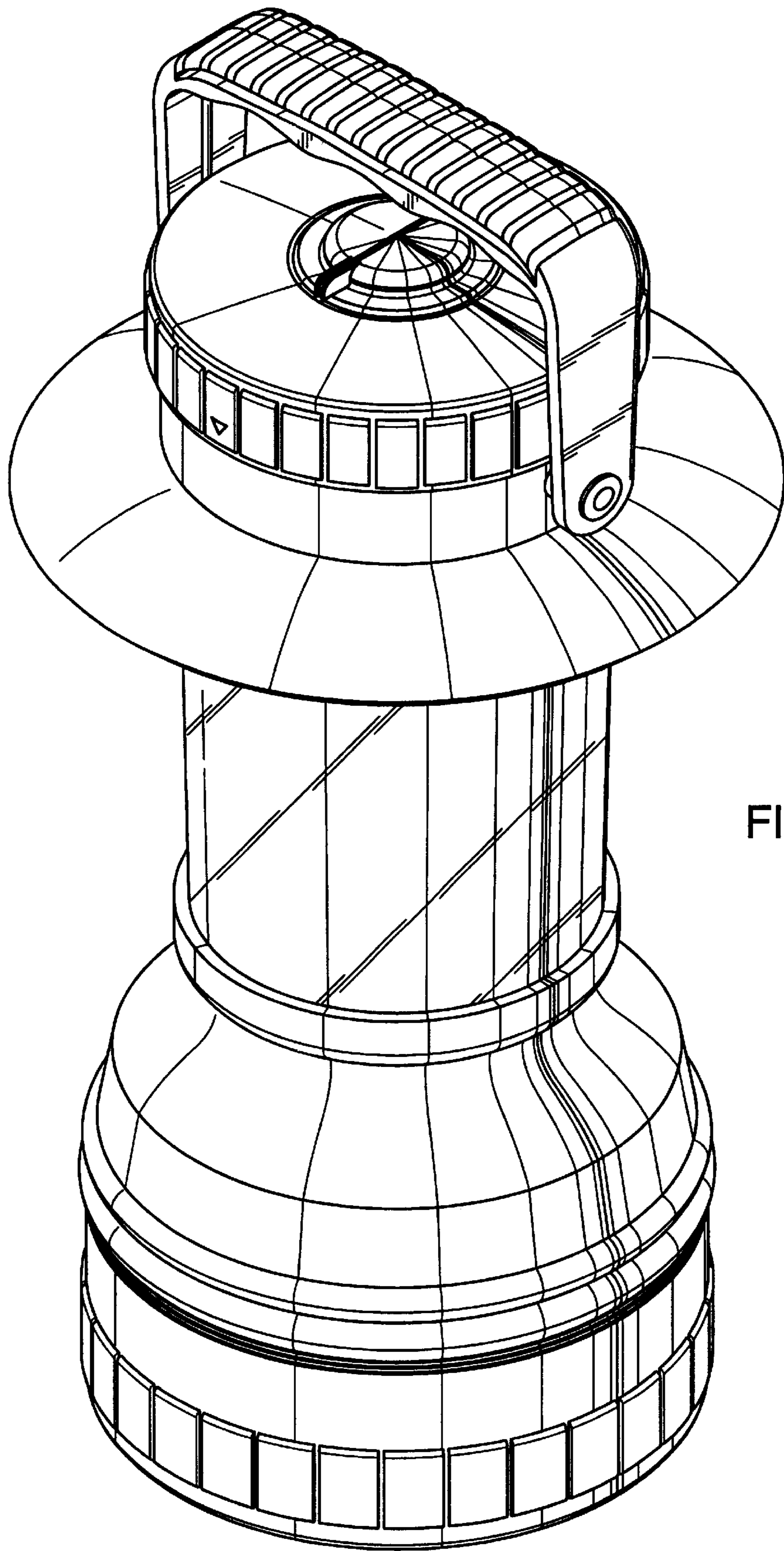


FIG. 1

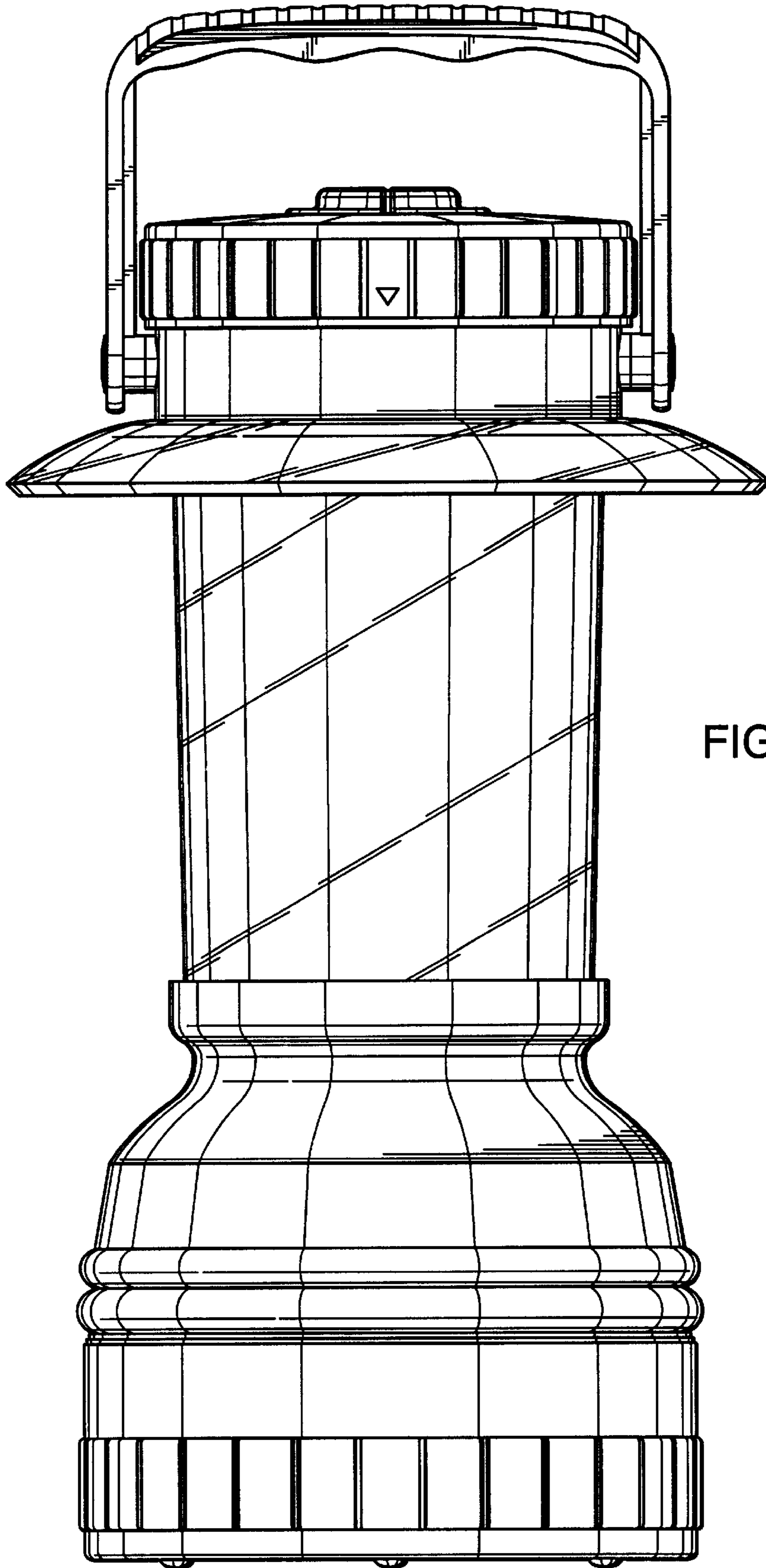


FIG. 2

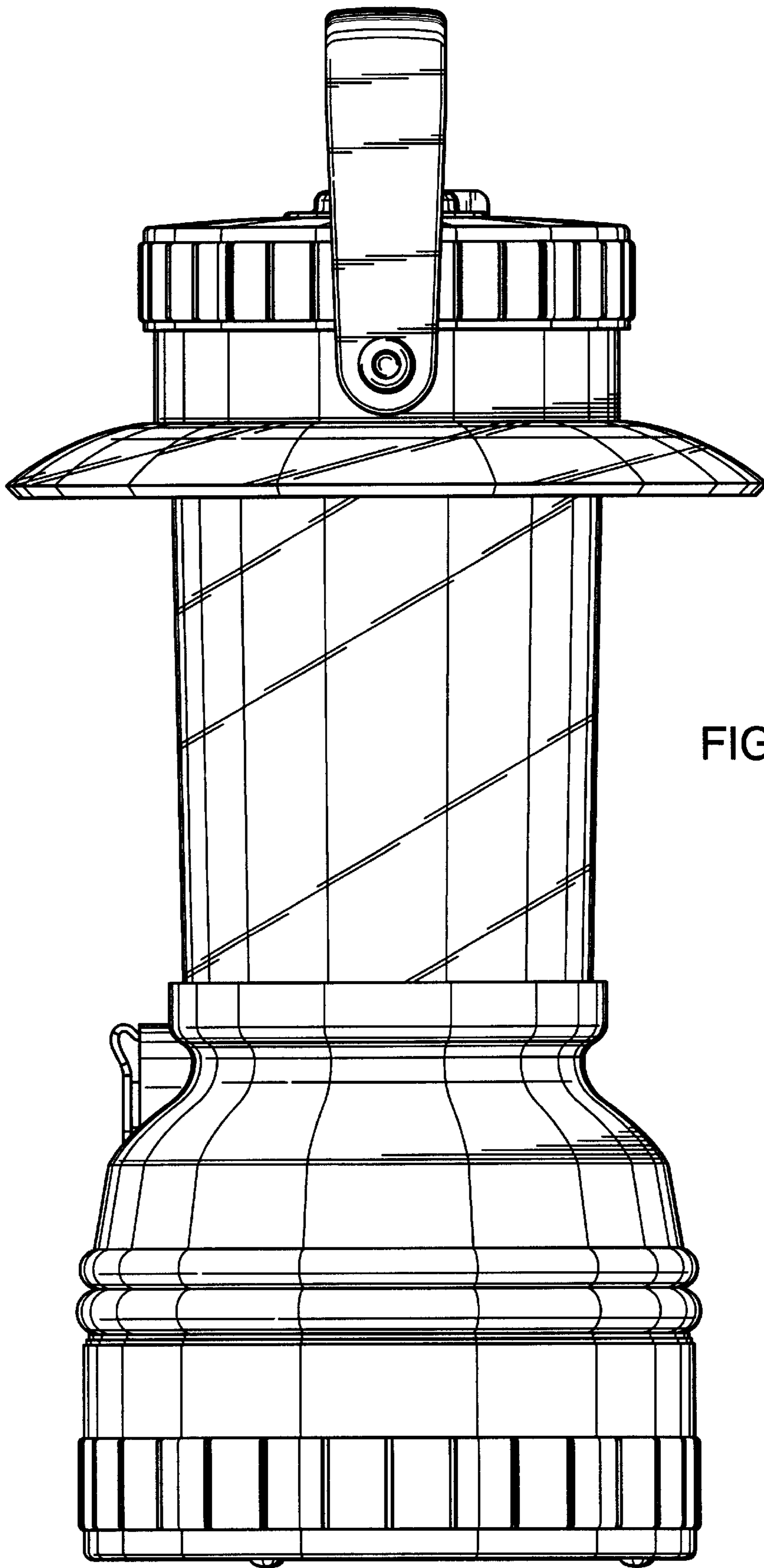


FIG. 3



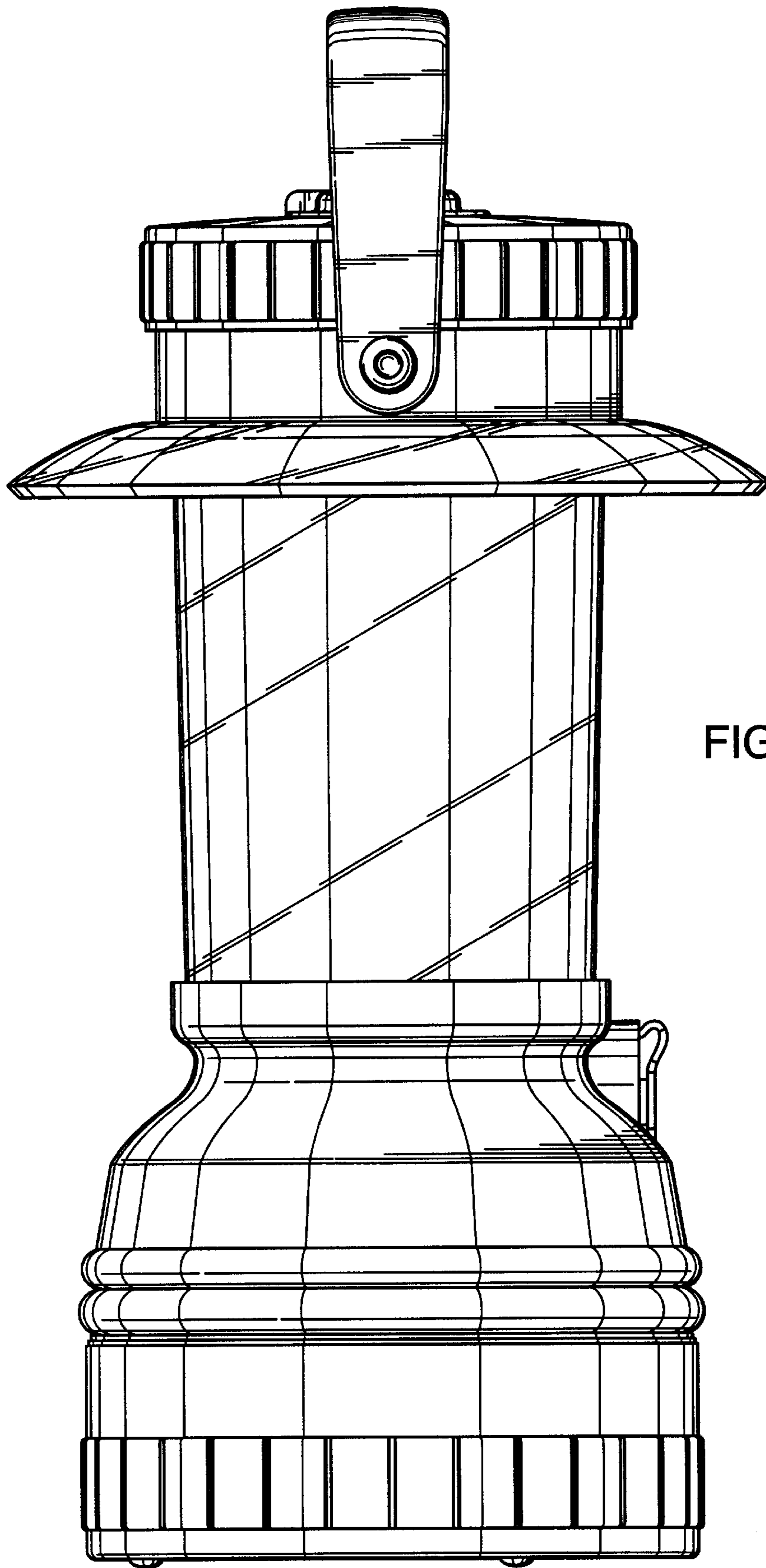


FIG. 4

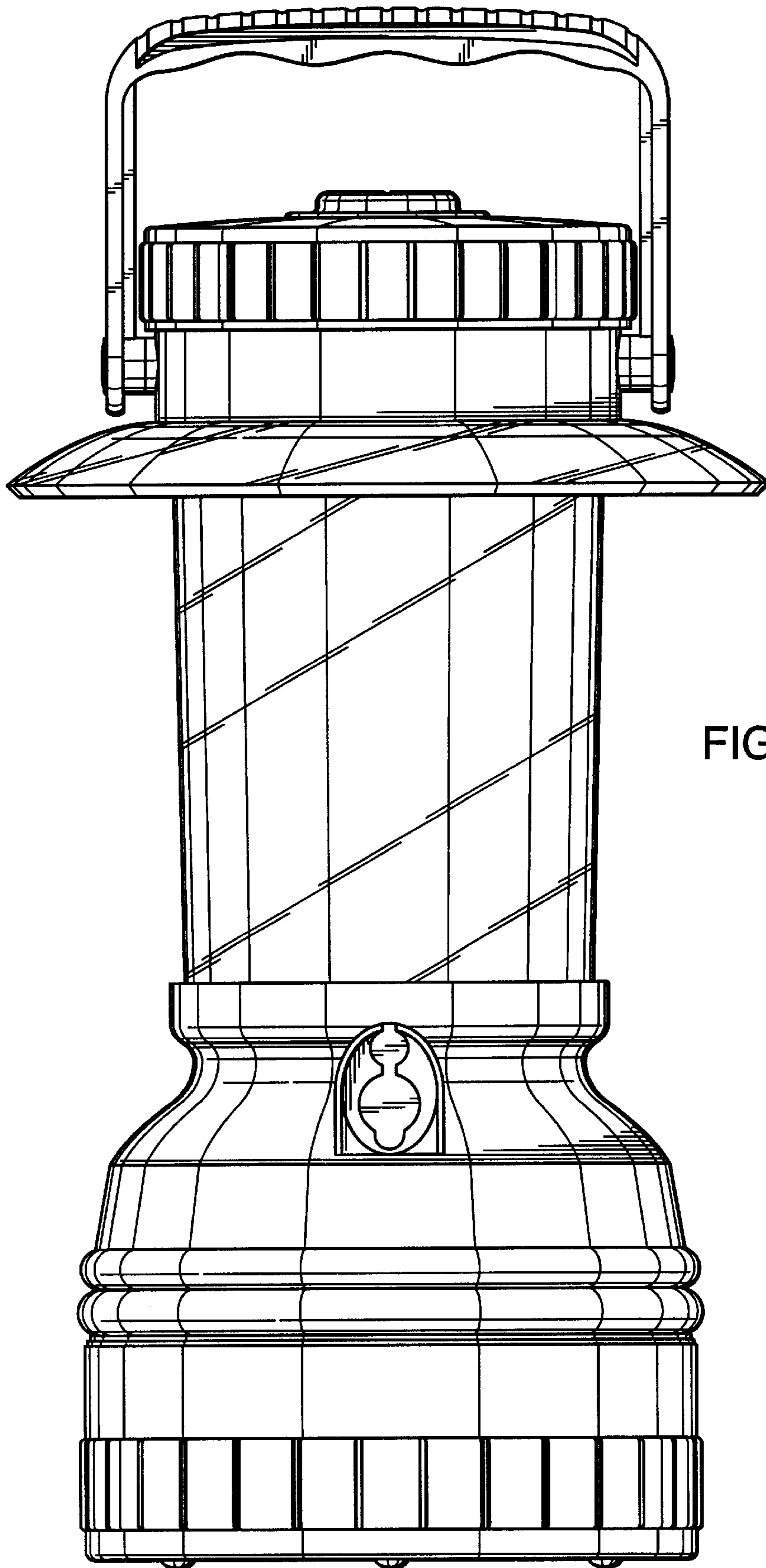


FIG. 5

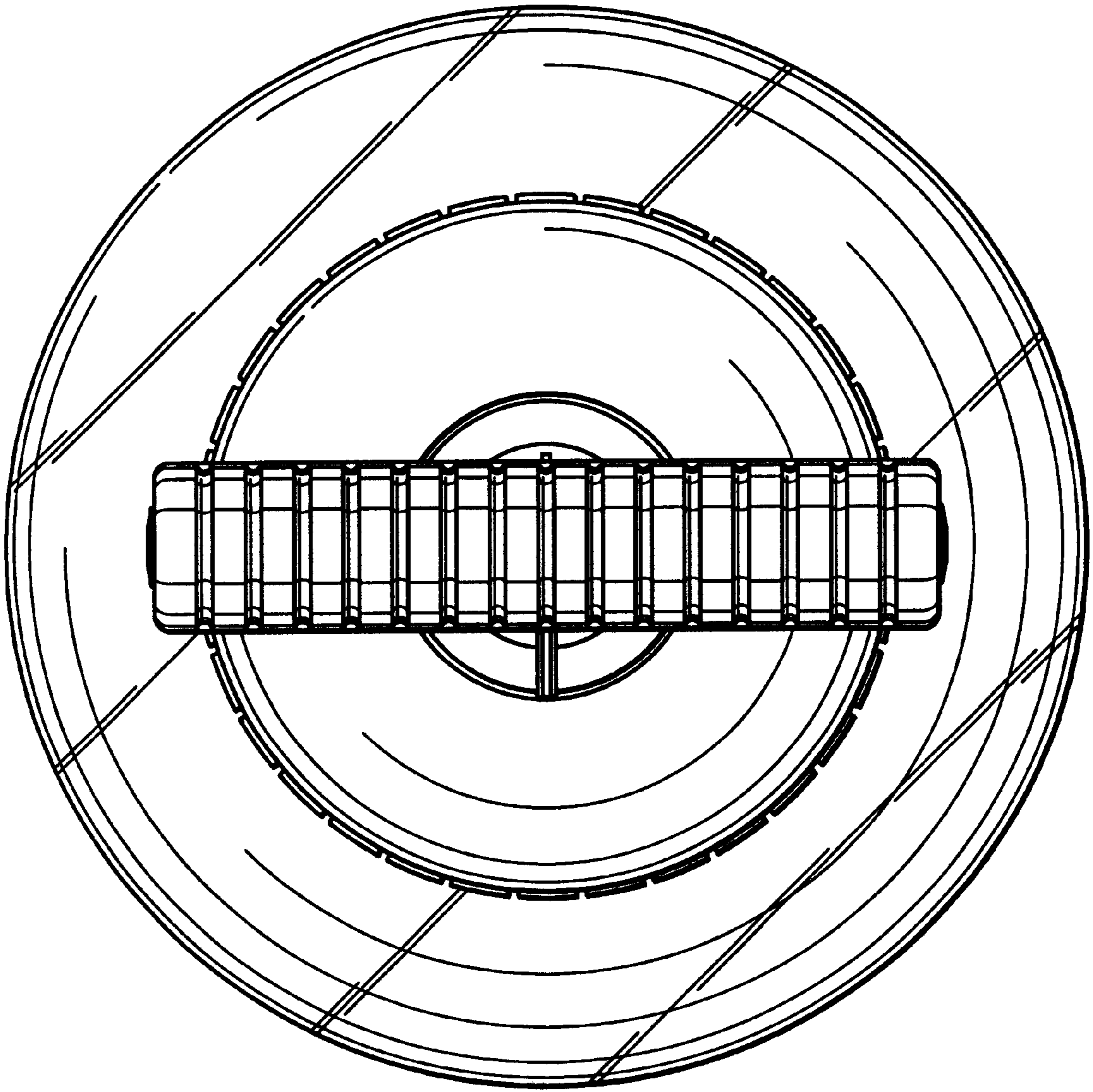


FIG. 6

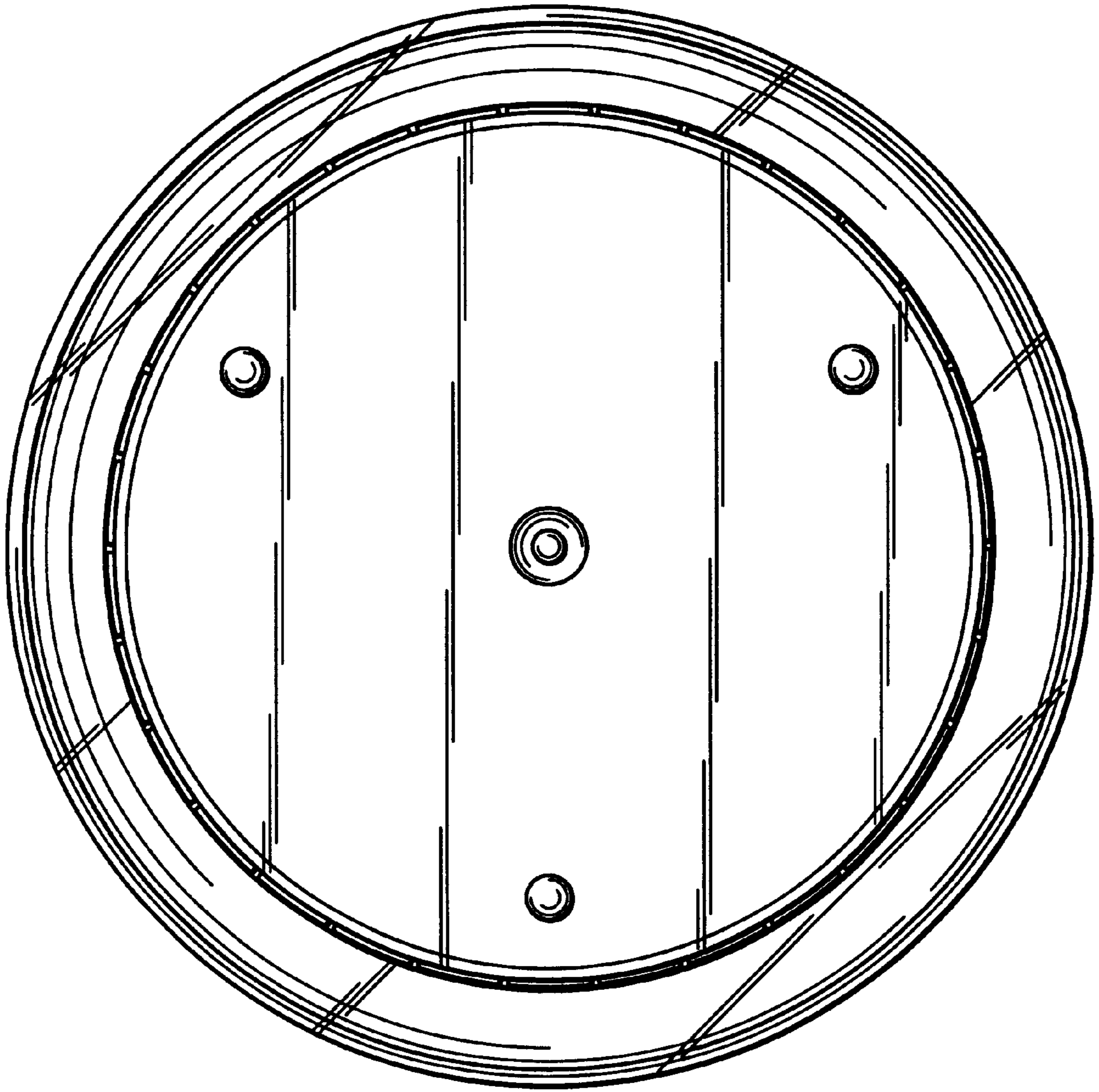


FIG. 7