



US00D464449S

(12) **United States Design Patent**  
**Yang**

(10) **Patent No.:** **US D464,449 S**

(45) **Date of Patent:** **\*\* Oct. 15, 2002**

(54) **VEHICLE TAIL LIGHT ASSEMBLY**

cv004d5.jpg, back of tail light.

cv004d6.jpg, side of tail light.

(76) Inventor: **Milton Yang**, 427 Sec. 2 Wenhau Road,  
Panchiao, Taipei (TW)

\* cited by examiner

(\*\*) Term: **14 Years**

*Primary Examiner*—Marcus A. Jackson

(21) Appl. No.: **29/150,722**

(74) *Attorney, Agent, or Firm*—Stetina Brunda Garred &  
Brucker

(22) Filed: **Nov. 15, 2001**

(51) **LOC (7) Cl.** ..... **26-06**

(52) **U.S. Cl.** ..... **D26/28**

(58) **Field of Search** ..... D26/28–36, 120,  
D26/122; 362/61, 80, 81, 82, 83, 83.4,  
267, 269, 275

(57) **CLAIM**

The ornamental design for a vehicle tail light assembly, as shown and described.

**DESCRIPTION**

(56) **References Cited**

FIG. 1 is a front elevational view of the vehicle tail light assembly of the present invention showing my new design;

FIG. 2 is a ride side elevational view thereof;

FIG. 3 is a left side elevational view thereof;

FIG. 4 is a top plan view thereof; and,

FIG. 5 is a bottom plan view thereof with the rear surface forming no part of the claimed design.

**U.S. PATENT DOCUMENTS**

D449,123 S \* 10/2001 Horowitz ..... D26/28

D450,142 S \* 11/2001 Horowitz ..... D26/28

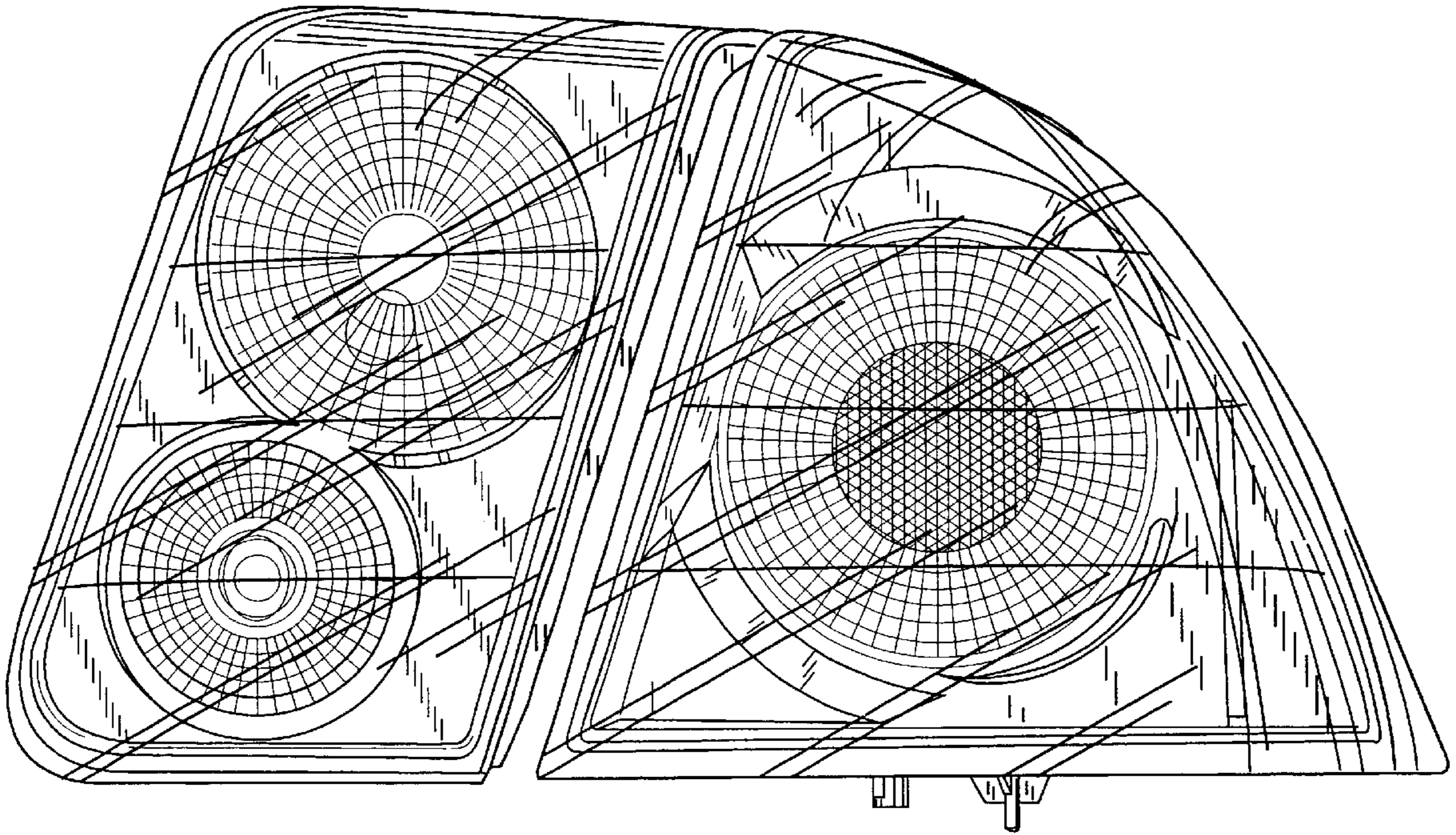
**OTHER PUBLICATIONS**

cv004d1.jpg, front of tail light.

cv004d3 (1).jpg, side of tail light.

cv004d4.jpg, front of tail light.

**1 Claim, 3 Drawing Sheets**





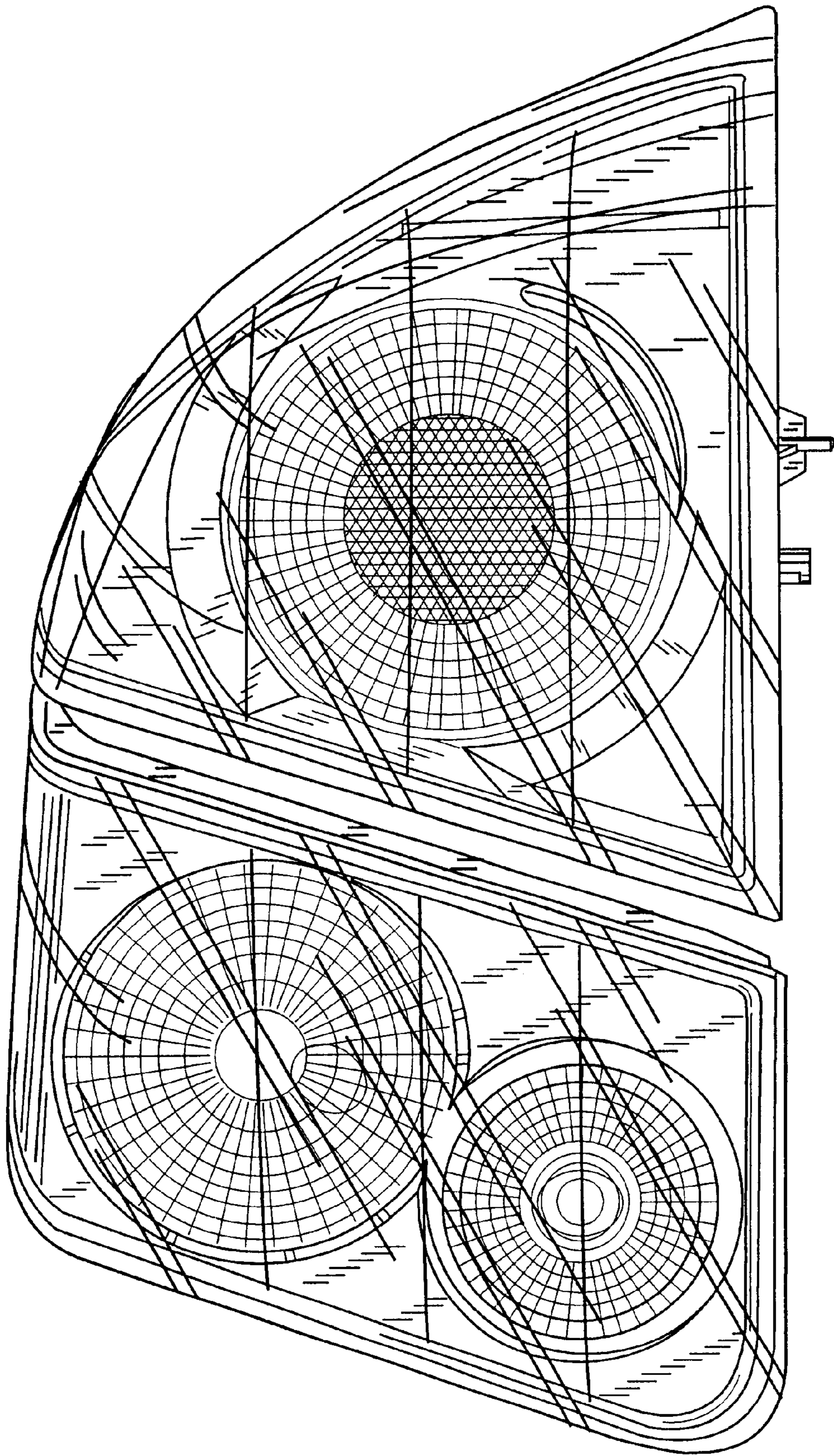


Fig. 1

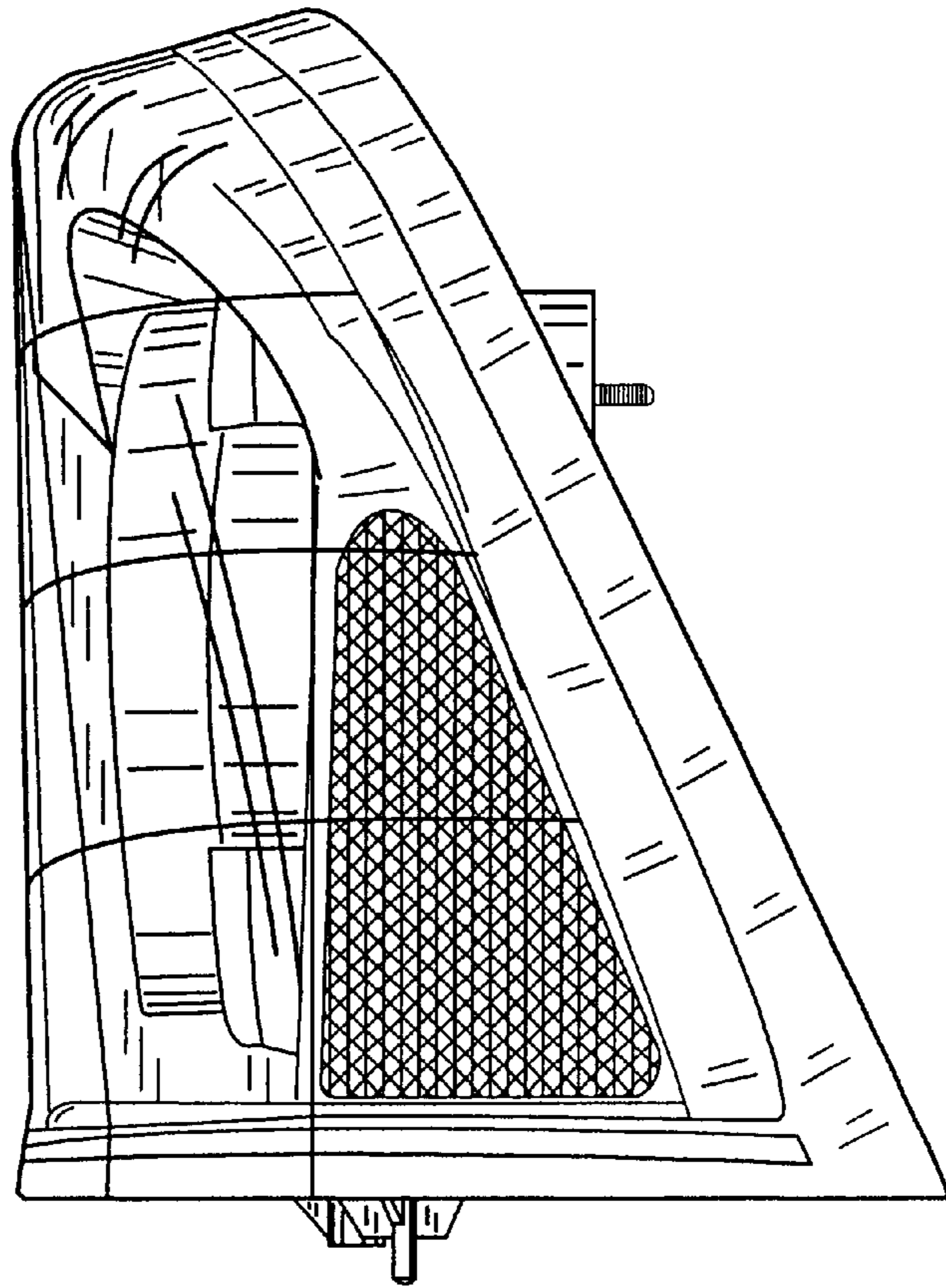


Fig. 2

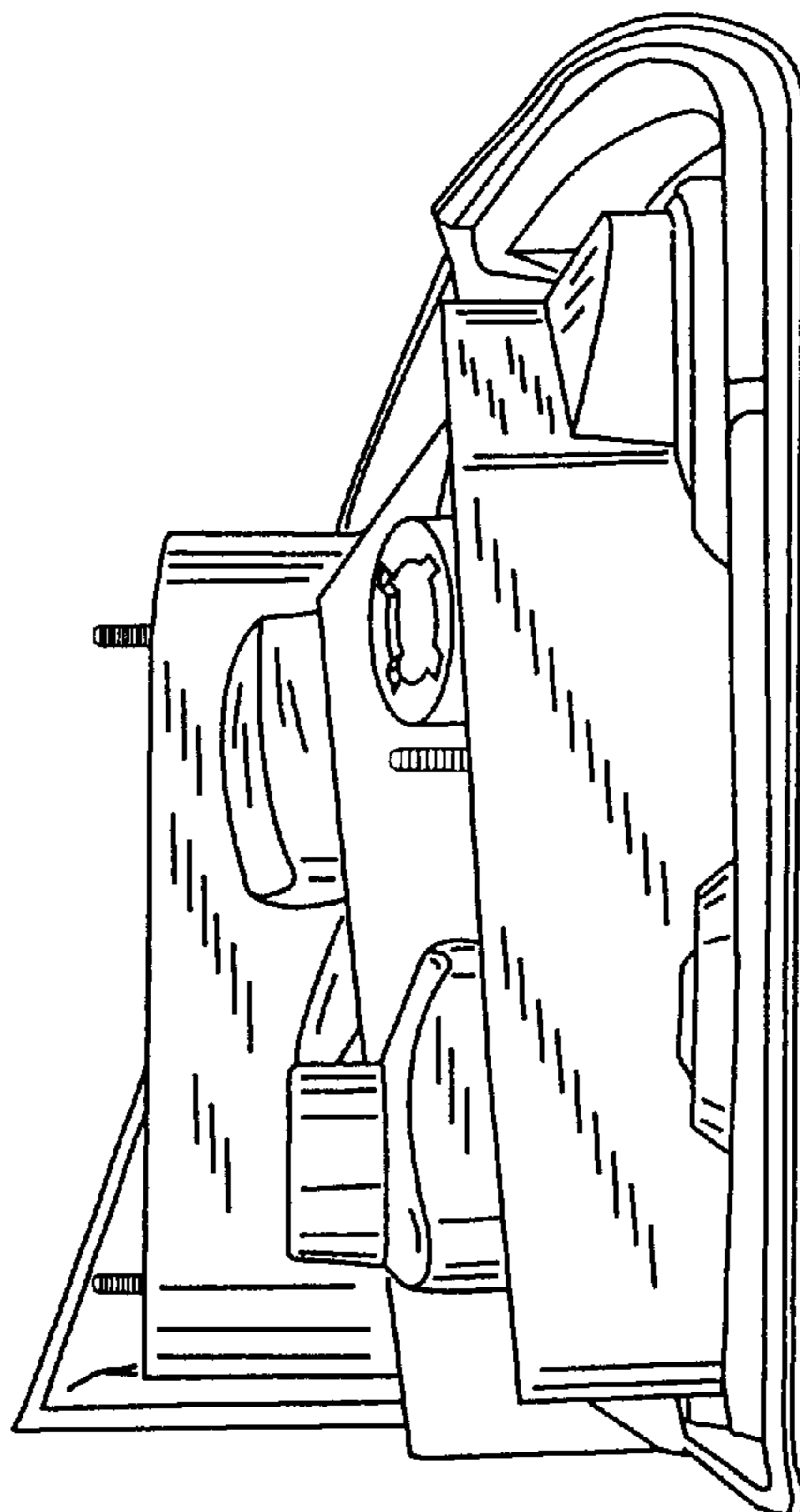


Fig. 3



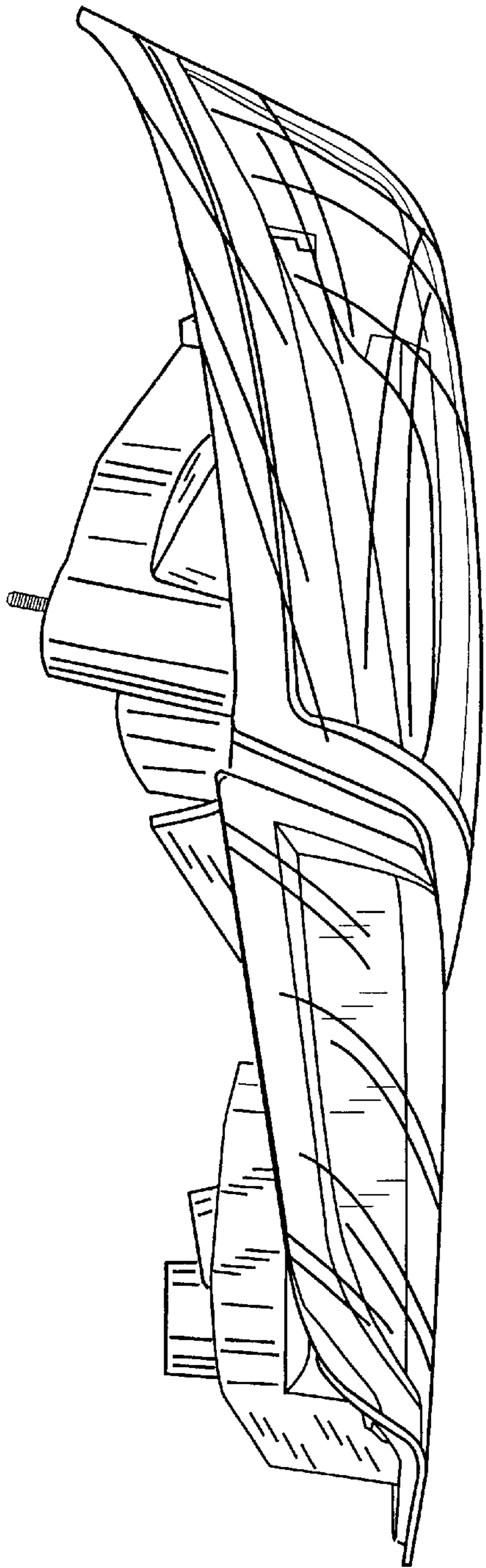


Fig. 4

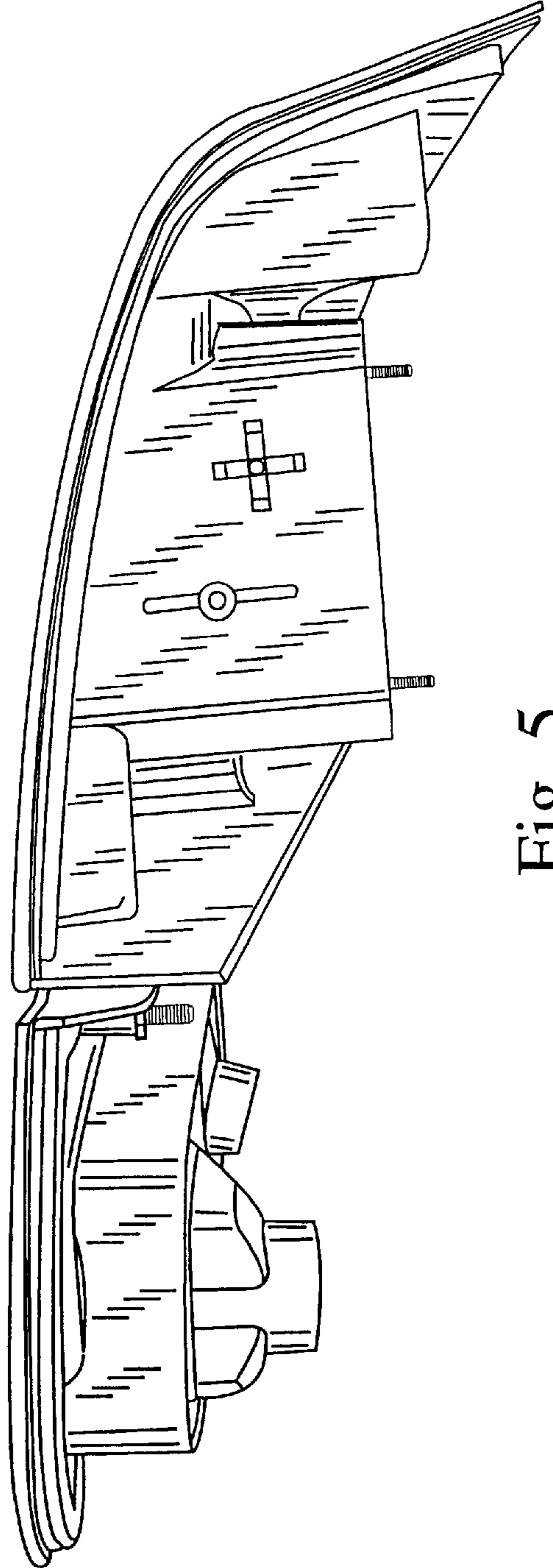


Fig. 5