



US00D464448S

(12) **United States Design Patent**
Kokubu

(10) **Patent No.:** **US D464,448 S**

(45) **Date of Patent:** **** Oct. 15, 2002**

(54) **REAR COMBINATION LAMP FOR A MOTOR SCOOTER**

FOREIGN PATENT DOCUMENTS

JP 1040166 3/1999

* cited by examiner

(75) Inventor: **Takahiro Kokubu, Wako (JP)**

Primary Examiner—Marcus A. Jackson

(73) Assignee: **Honda Giken Kogyo Kabushiki Kaisha, Tokyo (JP)**

(74) *Attorney, Agent, or Firm*—Arent Fox Kintner Plotkin & Kahn, PLLC

(**) Term: **14 Years**

(21) Appl. No.: **29/138,076**

(57) **CLAIM**

(22) Filed: **Mar. 7, 2001**

The ornamental design for a rear combination lamp for a motor scooter, as shown and described.

(30) **Foreign Application Priority Data**

DESCRIPTION

Sep. 7, 2000 (JP) 2000-024974

FIG. 1 is a front view of a rear combination lamp showing my new design.

(51) **LOC (7) Cl.** **26-04**

FIG. 2 is a rear view thereof, with the broken line showing for illustrative purposes only and forming no part of the claimed design;

(52) **U.S. Cl.** **D26/28**

(58) **Field of Search** D26/28-36; 362/80, 362/83.4, 267, 269, 278, 327, 328, 329, 330-340

FIG. 3 is a right side view thereof.

FIG. 4 is a left side view thereof.

FIG. 5 is a plan view thereof.

FIG. 6 is a bottom view thereof.

FIG. 7 is a front perspective view thereof; and,

FIG. 8 is a rear perspective view thereof.

(56) **References Cited**

U.S. PATENT DOCUMENTS

- D448,870 S * 10/2001 Kamata et al. D26/28
- D448,871 S * 10/2001 Kamata et al. D26/28
- D449,124 S * 10/2001 Kamata et al. D26/28

1 Claim, 4 Drawing Sheets

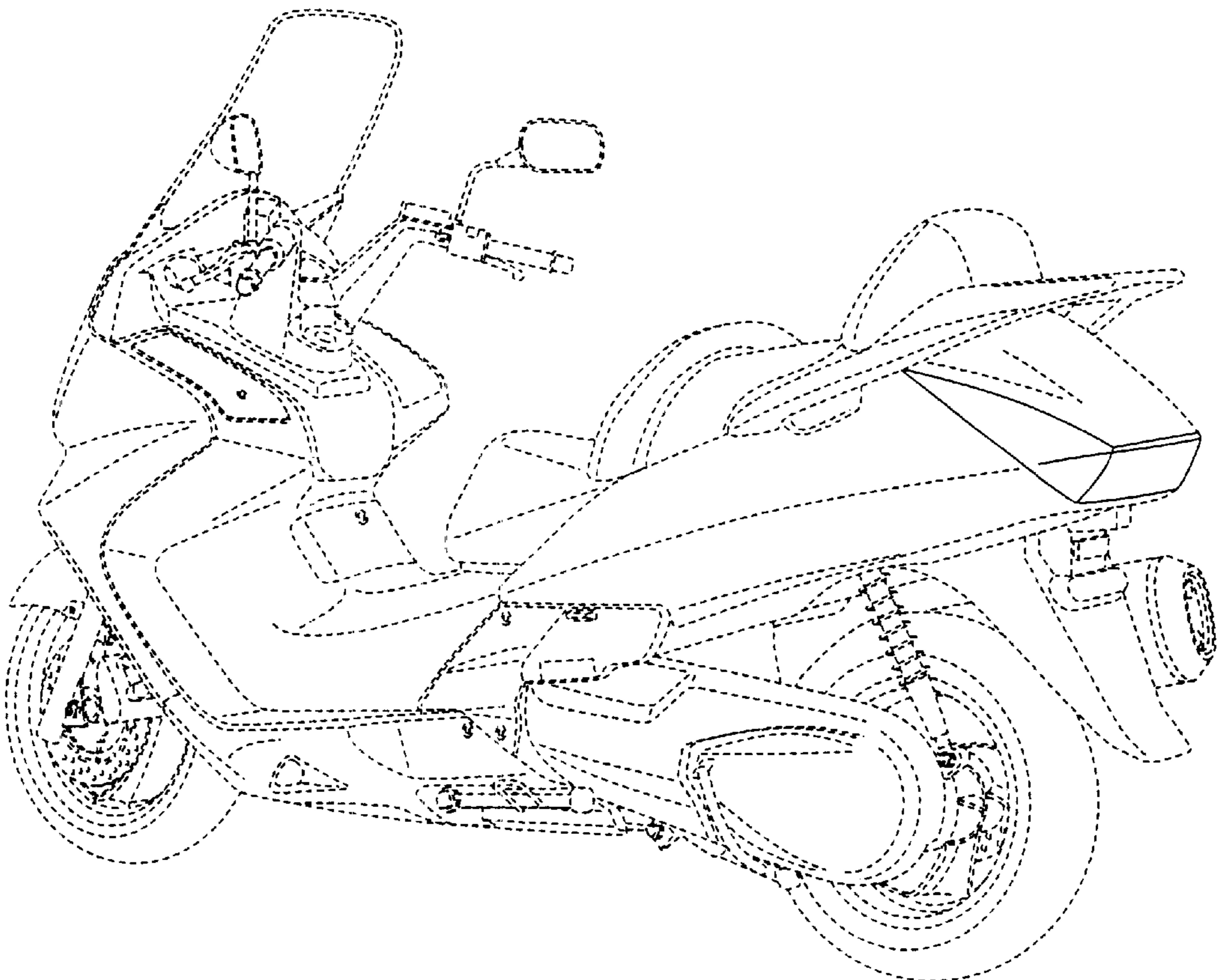


FIG. 1

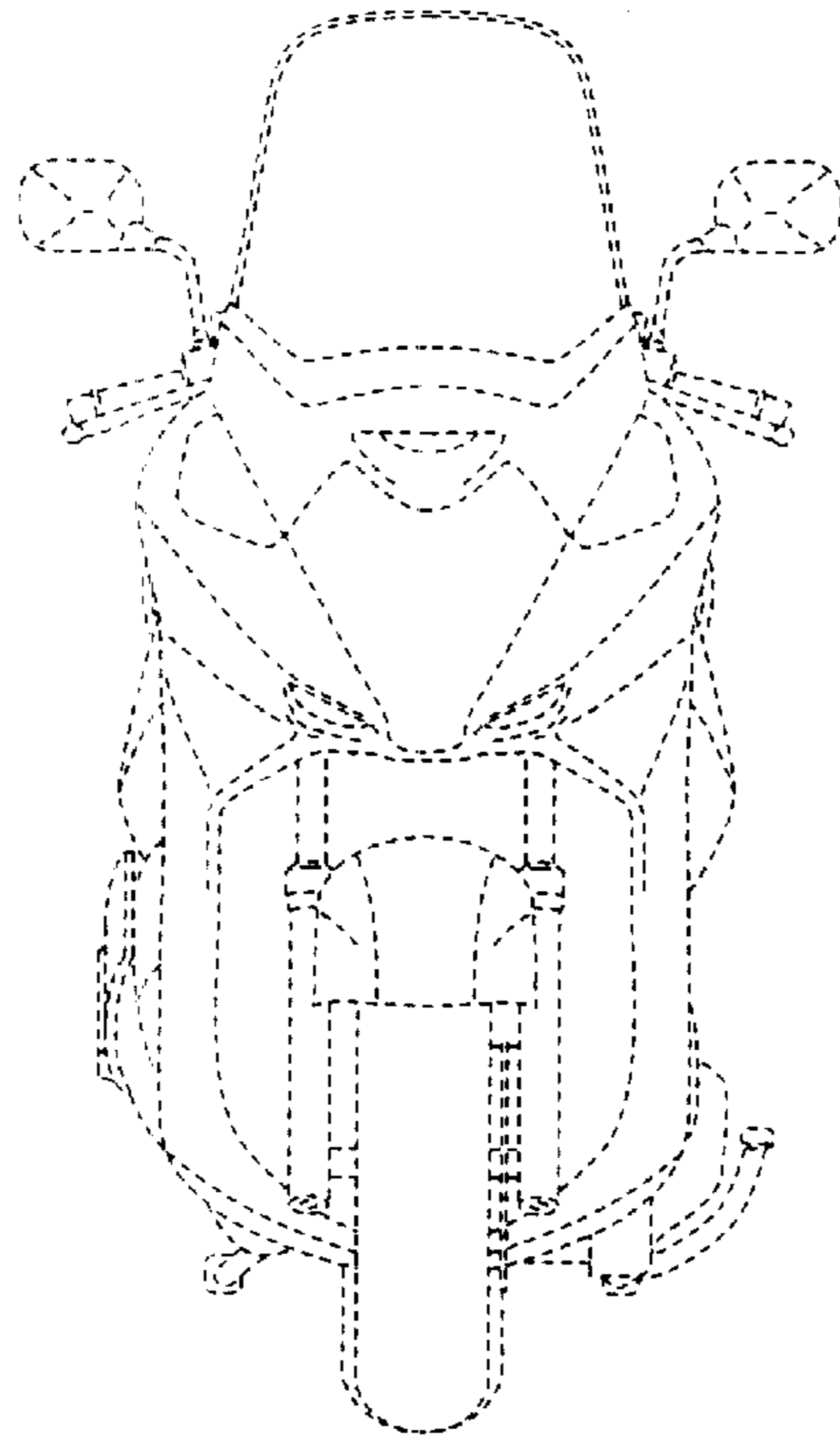


FIG. 2

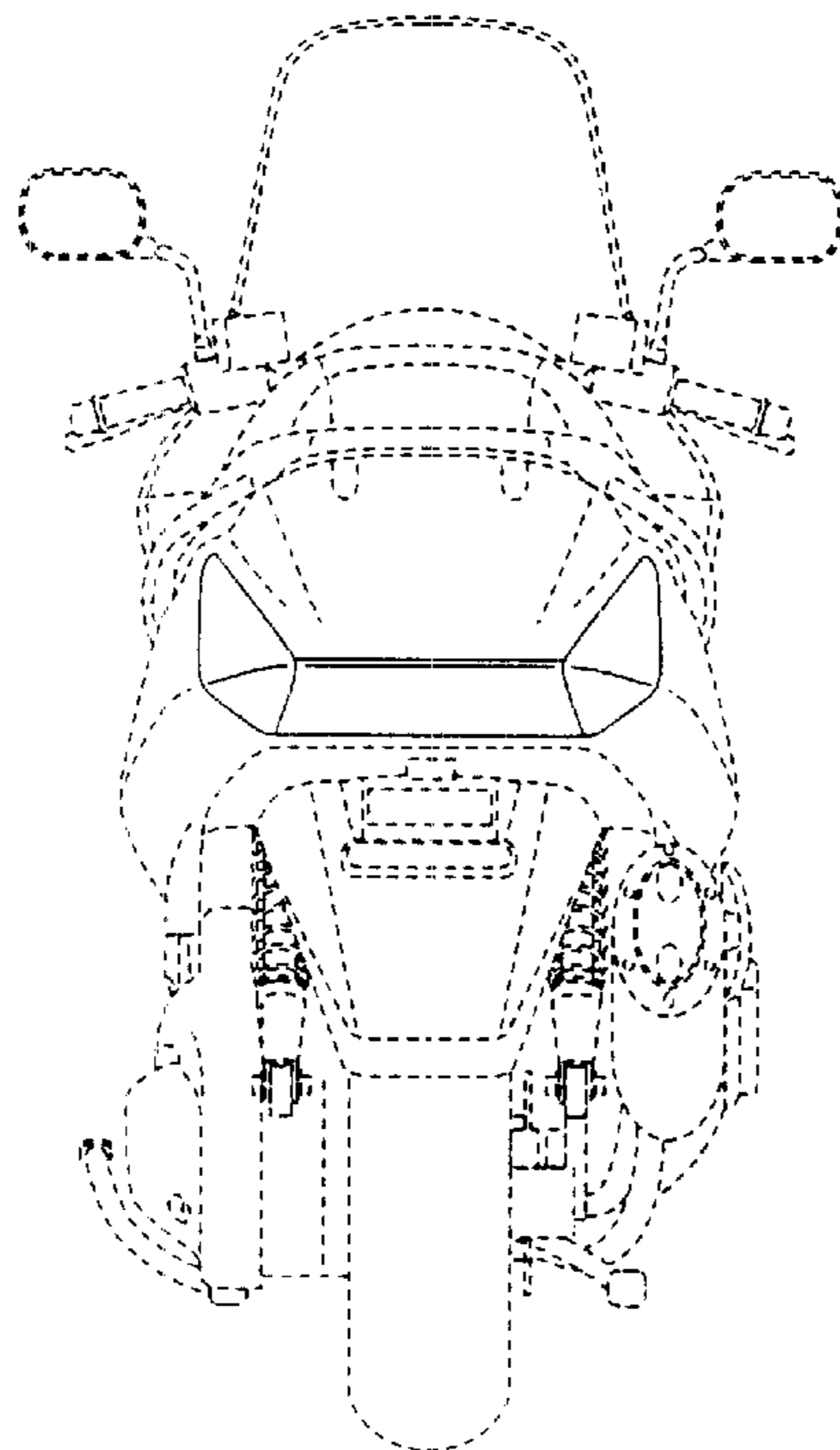


FIG.3

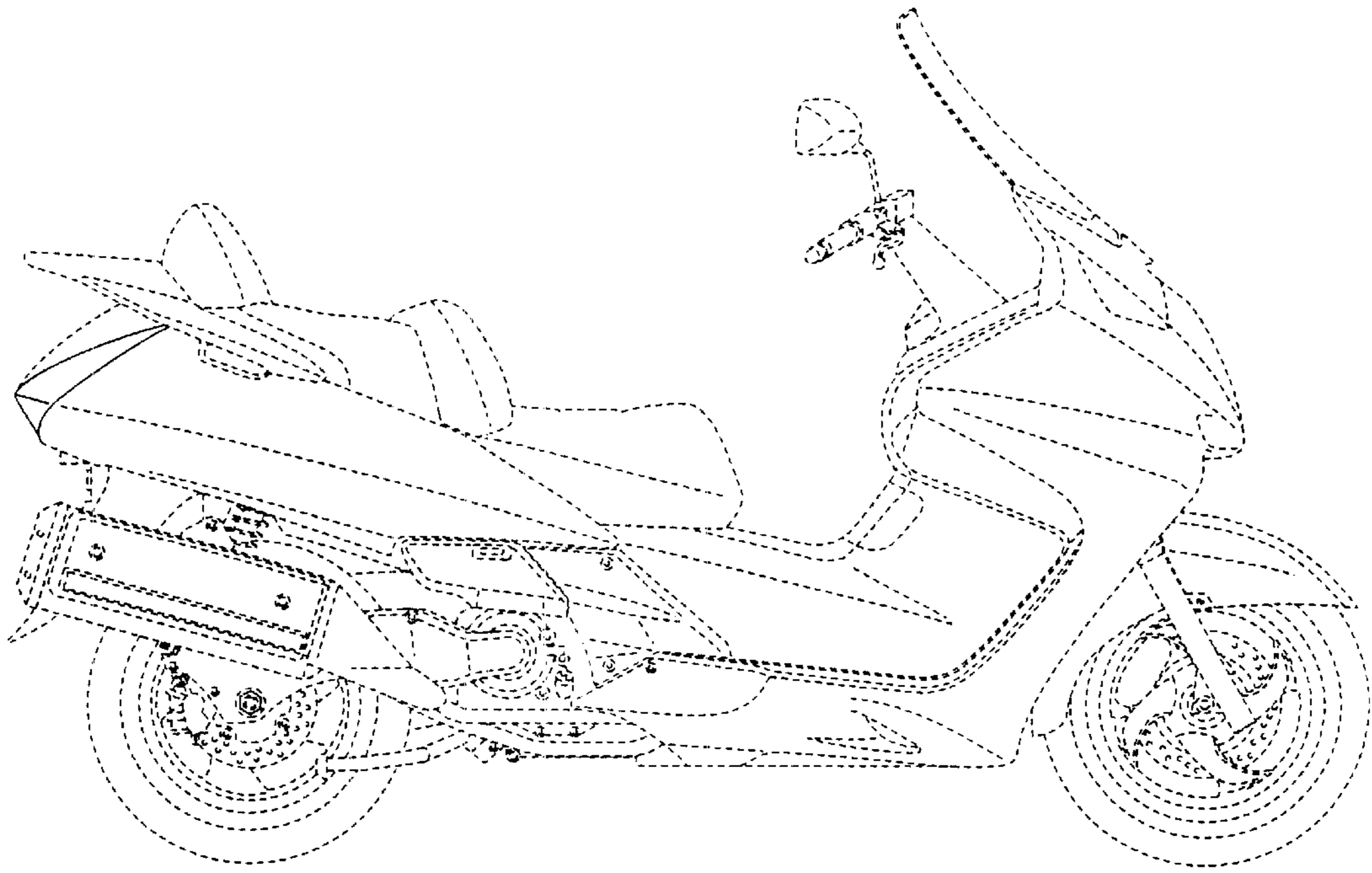


FIG.4

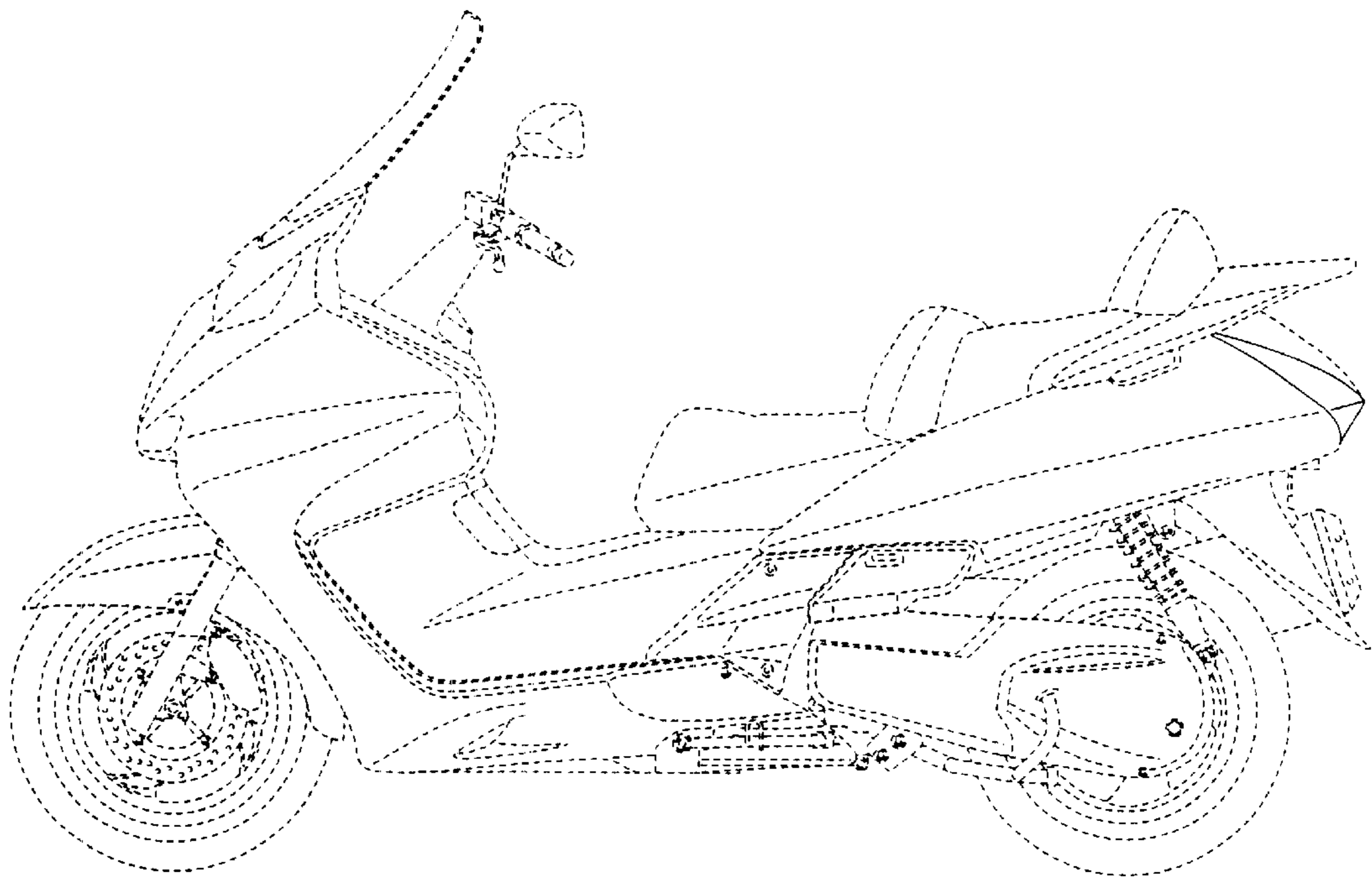


FIG. 5

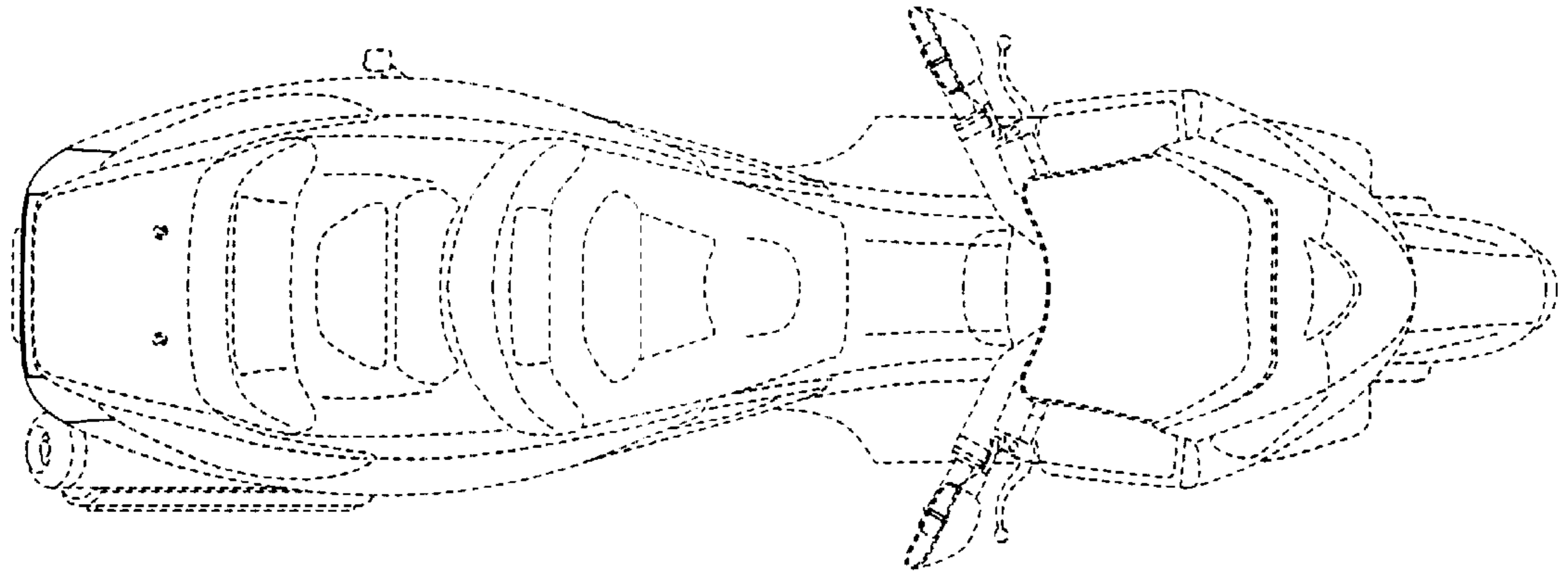


FIG. 6

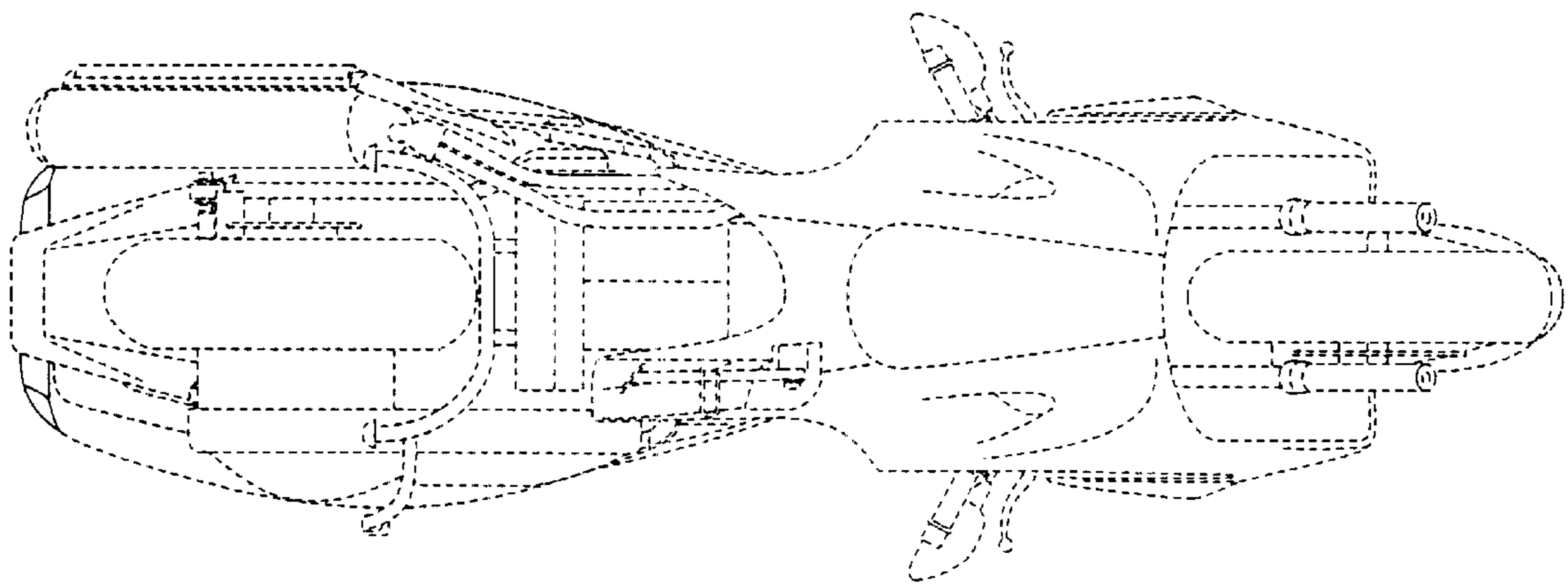


FIG.7

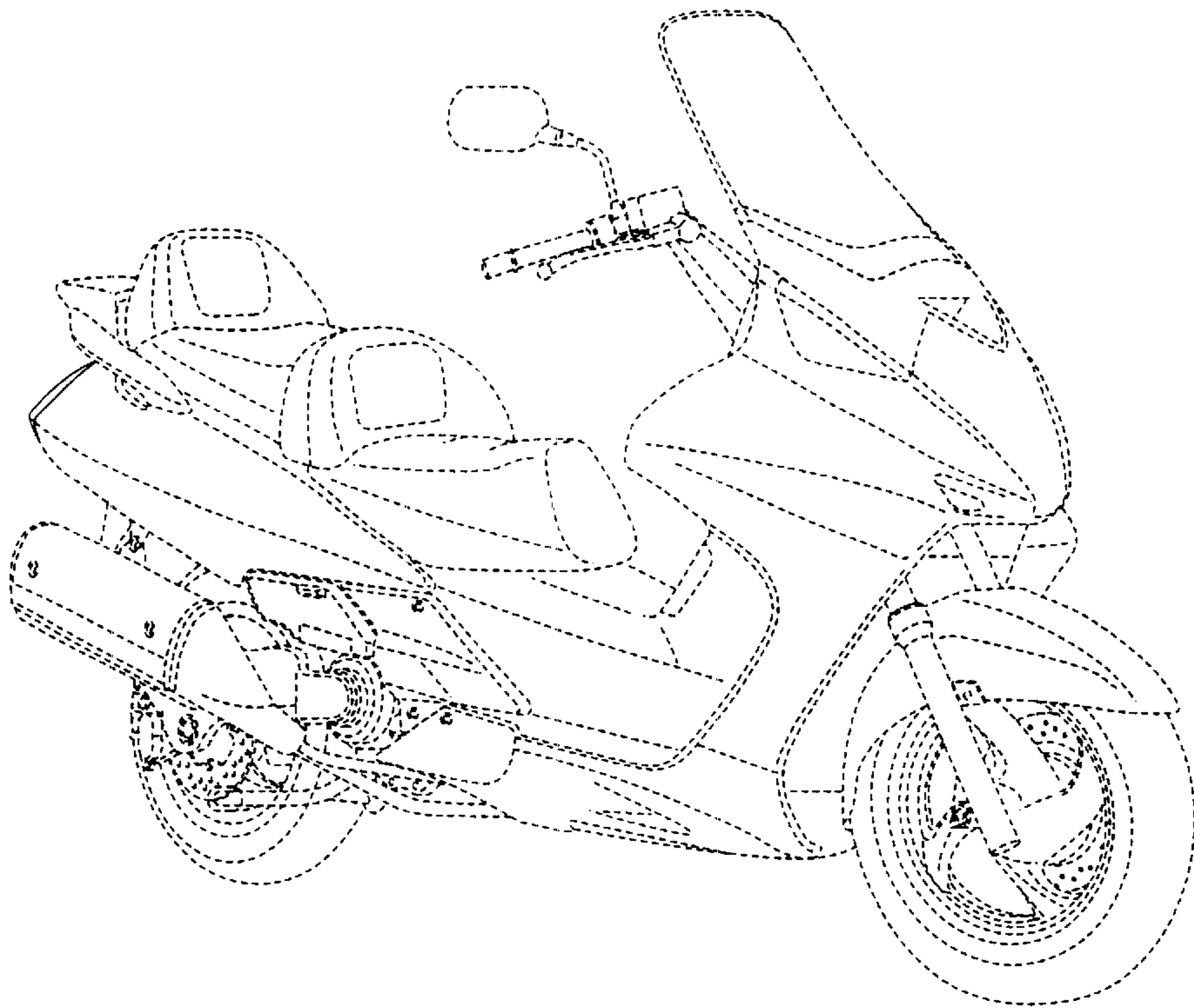


FIG.8

