



US00D464442S

(12) **United States Design Patent**
Clark et al.

(10) **Patent No.:** **US D464,442 S**

(45) **Date of Patent:** **** Oct. 15, 2002**

(54) **BRICK**

5,421,135 A * 6/1995 Stevens et al. 405/284
5,537,796 A * 7/1996 Kliethermes, Jr. 52/606 X
D381,394 S * 7/1997 Lex et al. D25/199 X

(75) Inventors: **Glenn Clark**, Moorebank (AU);
Douglas John Colclough, Moorebank (AU)

* cited by examiner

(73) Assignee: **Boral Bricks (NSW) Pty. Ltd.**, Wales (AU)

Primary Examiner—Louis S. Zarfes
Assistant Examiner—Robert A. Delehanty
(74) *Attorney, Agent, or Firm*—Morgan, Lewis & Bockius LLP

(**) Term: **14 Years**

(21) Appl. No.: **29/132,193**

(57) **CLAIM**

(22) Filed: **Nov. 3, 2000**

The ornamental design for “a brick”, as shown and described.

(30) **Foreign Application Priority Data**

May 3, 2000 (AU) 1356/00

DESCRIPTION

(51) **LOC (7) Cl.** **25-01**

FIG. 1. is a bottom from perspective view of a brick showing our new design;

(52) **U.S. Cl.** **D25/116**

FIG. 2. is a top plan view thereof;

(58) **Field of Search** D25/112–118;
D21/484–486, 499–502; 405/284, 16, 272–273;
404/29–30, 42; 52/596, 598–599, 605–609

FIG. 3. is a front plan view thereof;

FIG. 4. is a rear plan view thereof; and,

FIG. 5. is a left side view, the right side being a mirror image thereof.

(56) **References Cited**

U.S. PATENT DOCUMENTS

D190,324 S * 5/1961 Kopp D25/117

1 Claim, 3 Drawing Sheets

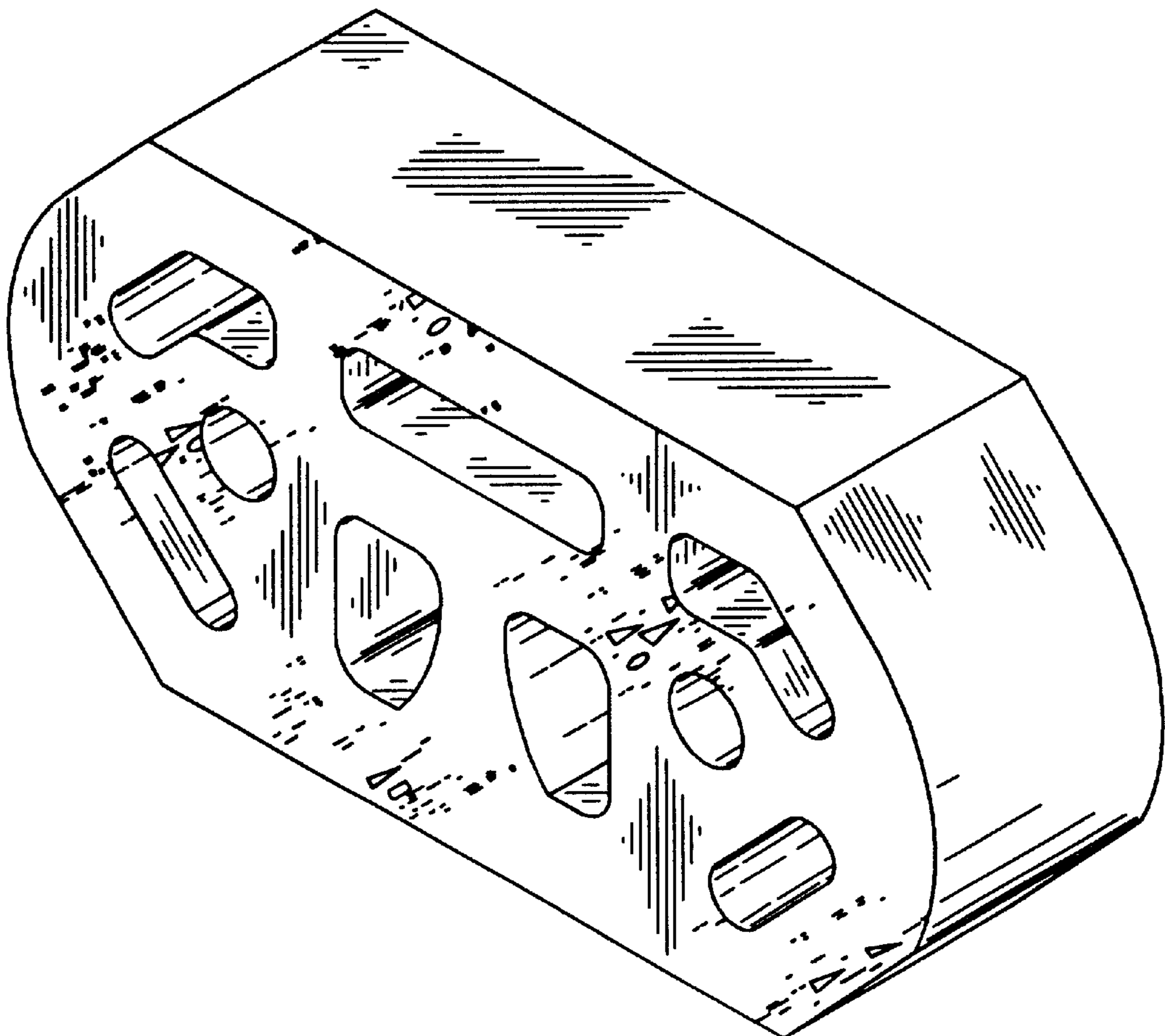


FIG. 1

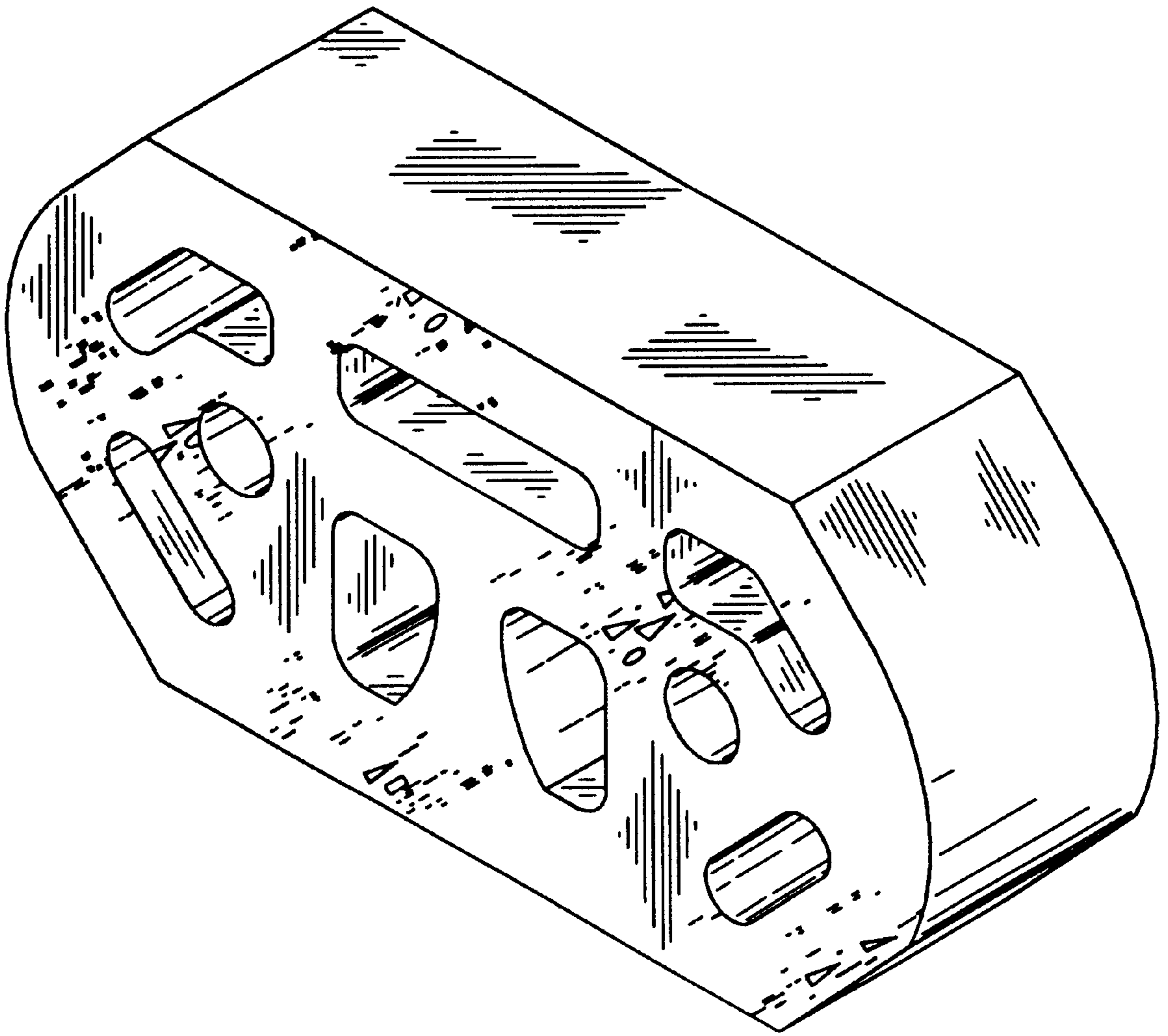


FIG. 2

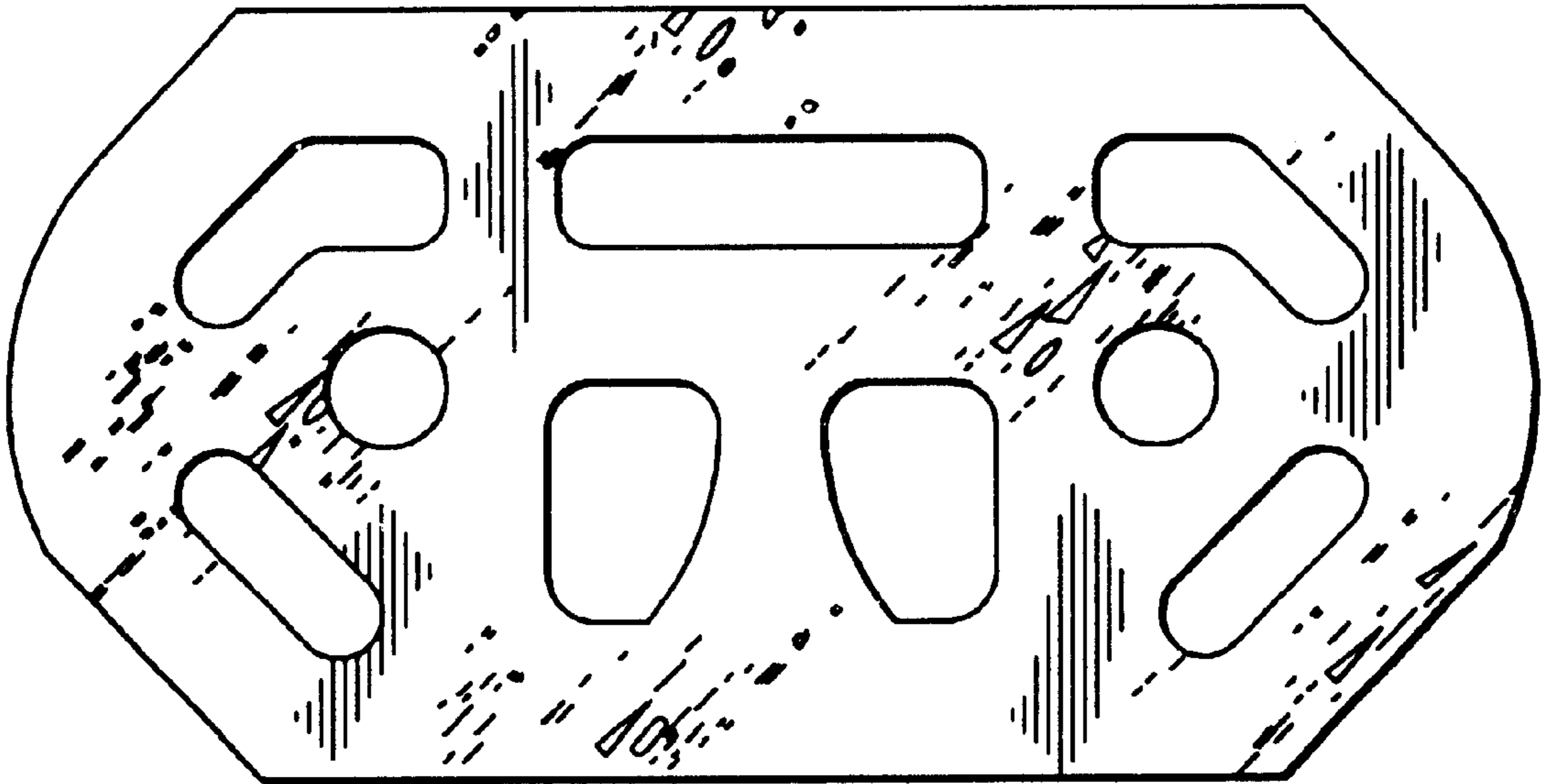


FIG. 3

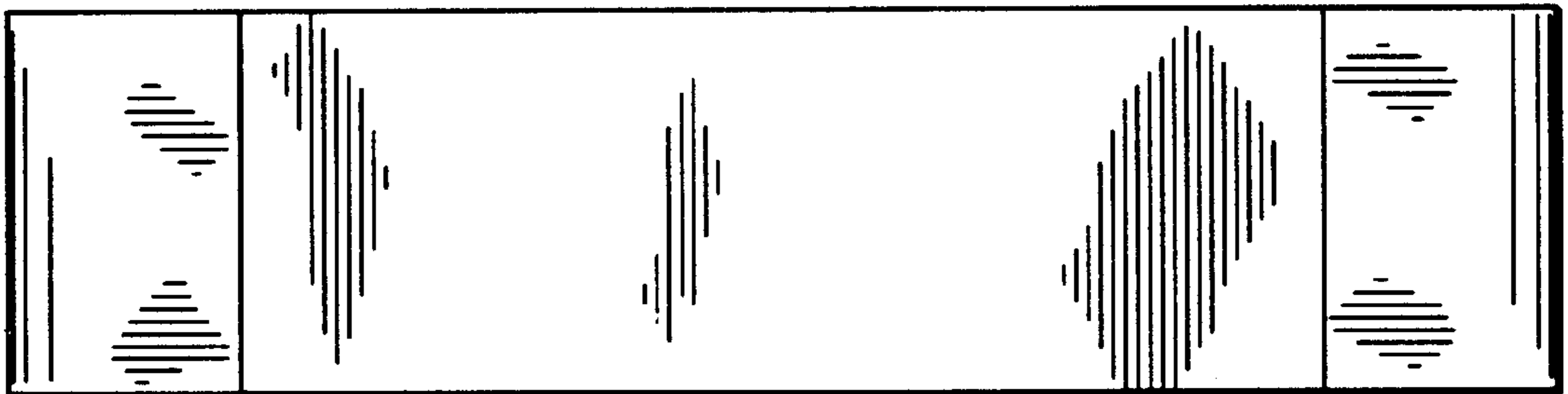


FIG. 4

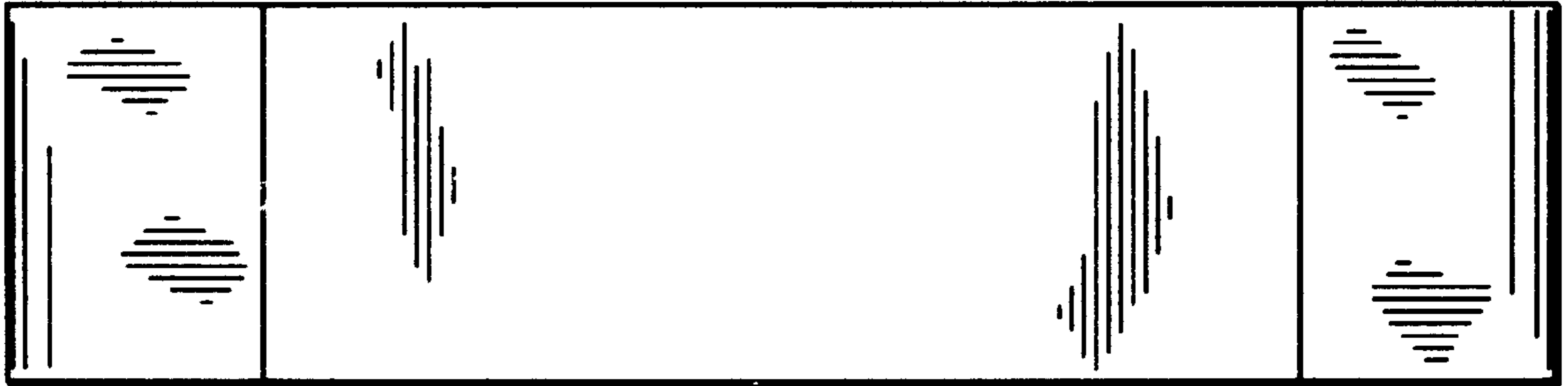


FIG. 5

