



US00D464441S

(12) **United States Design Patent**
Luaces

(10) **Patent No.:** **US D464,441 S**

(45) **Date of Patent:** **** Oct. 15, 2002**

(54) **CONSTRUCTION BLOCK**

(76) **Inventor:** **Federico Luaces**, Calle 8 HIO, El
Mirador Rio Piedras, PR (US) 00926

(**) **Term:** **14 Years**

(21) **Appl. No.:** **29/157,711**

(22) **Filed:** **Mar. 22, 2002**

(51) **LOC (7) Cl.** **25-01**

(52) **U.S. Cl.** **D25/114**

(58) **Field of Search** D25/112-116,
D25/118; D21/484, 500-505; 405/16, 272-273,
284; 404/29, 32-42; 52/102, 603-605,
608, 612

(56) **References Cited**

U.S. PATENT DOCUMENTS

1,500,493 A * 7/1924 Huffman 52/603 X
1,646,183 A * 10/1927 Bevier 52/605
3,261,138 A * 7/1966 Spence et al. 52/612
5,178,492 A * 1/1993 Meheen 405/284

D340,775 S * 10/1993 Sauve D25/118
D367,329 S * 2/1996 Nelson et al. D25/118
5,765,970 A * 6/1998 Fox 405/284
6,226,951 B1 * 5/2001 Azar 52/604

* cited by examiner

Primary Examiner—Louis S. Zarfes

Assistant Examiner—Robert A Delehanty

(74) *Attorney, Agent, or Firm*—J. Sanchelima; A. Bordas

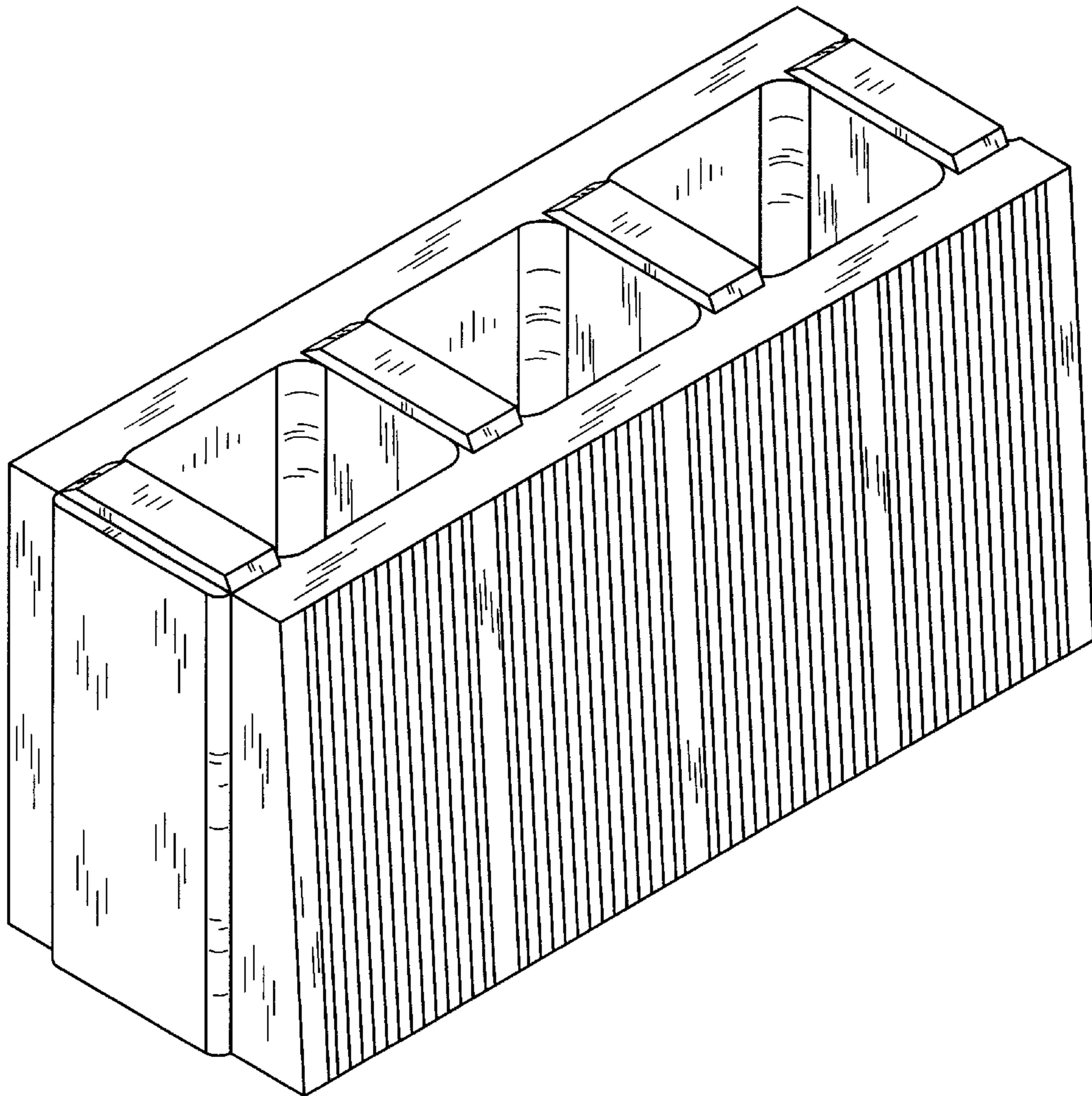
(57) **CLAIM**

The ornamental design for the construction block, as shown and described.

DESCRIPTION

FIG. 1 is a front perspective view;
FIG. 2 is a front elevational view;
FIG. 3 is a back view thereof;
FIG. 4 is a left side elevational view thereof;
FIG. 5 is a right side elevational view thereof;
FIG. 6 is a top plan view thereof; and,
FIG. 7 is a bottom plan view of my invention.

1 Claim, 3 Drawing Sheets



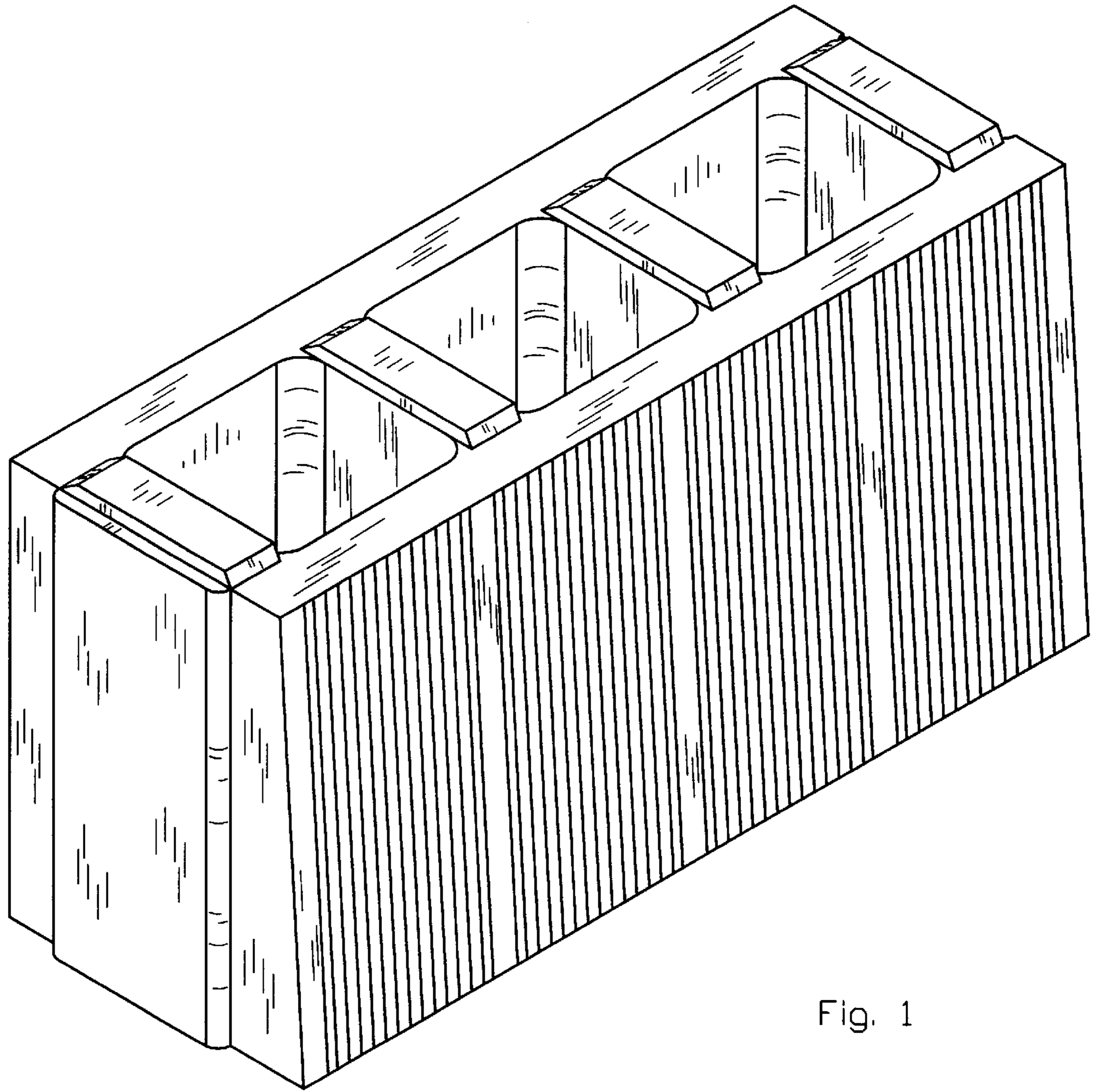


Fig. 1

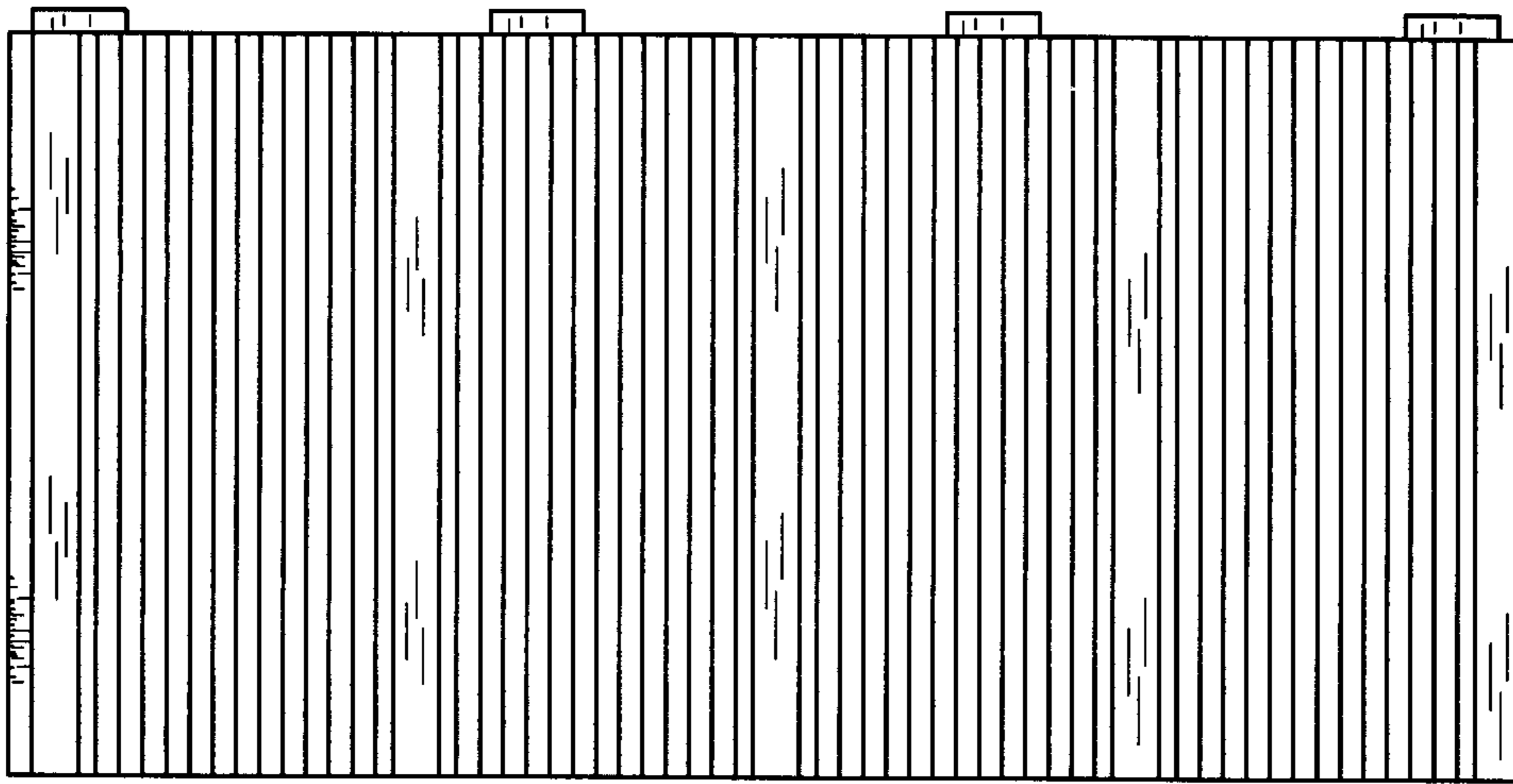


Fig. 2

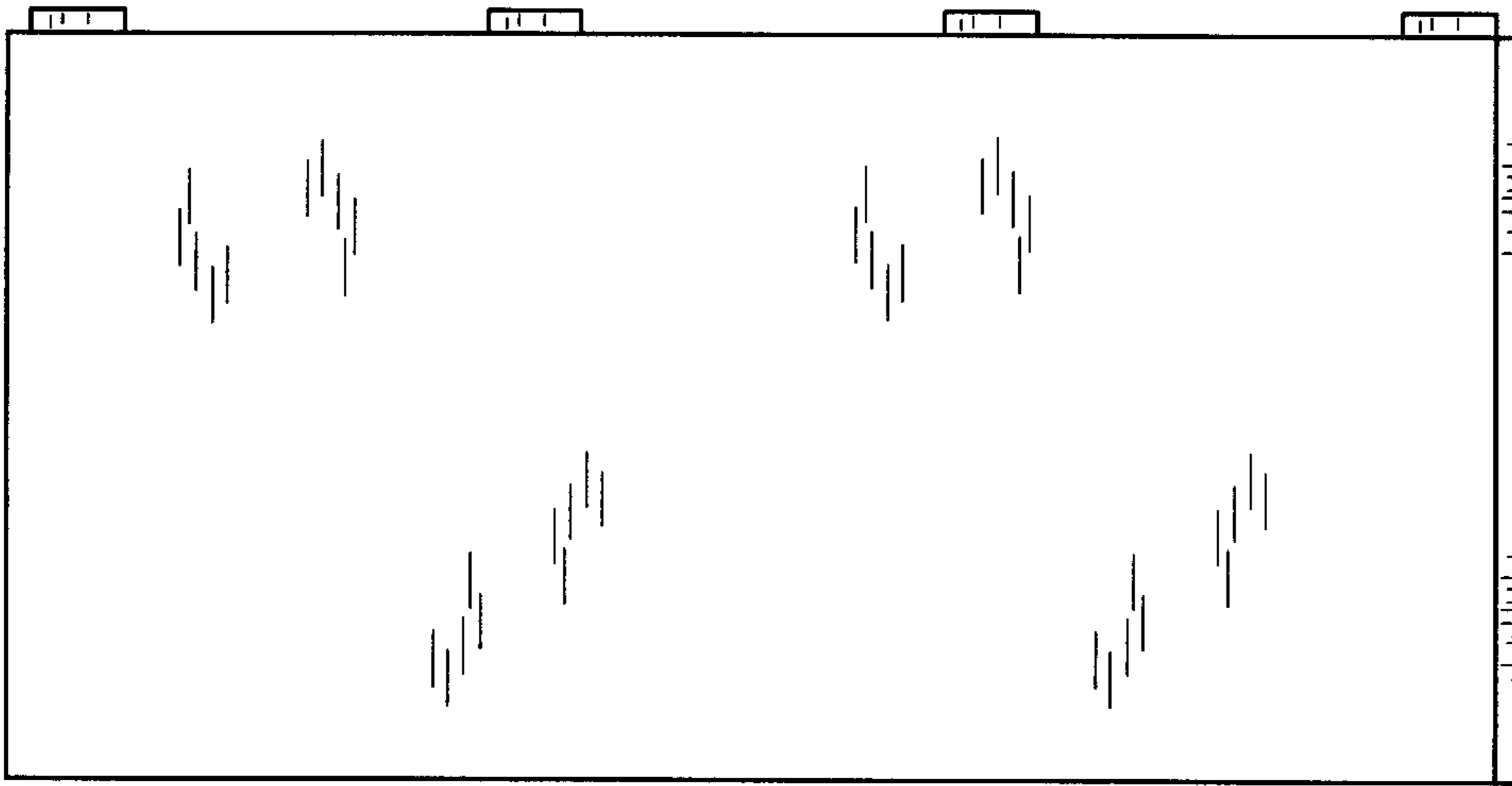


Fig. 3

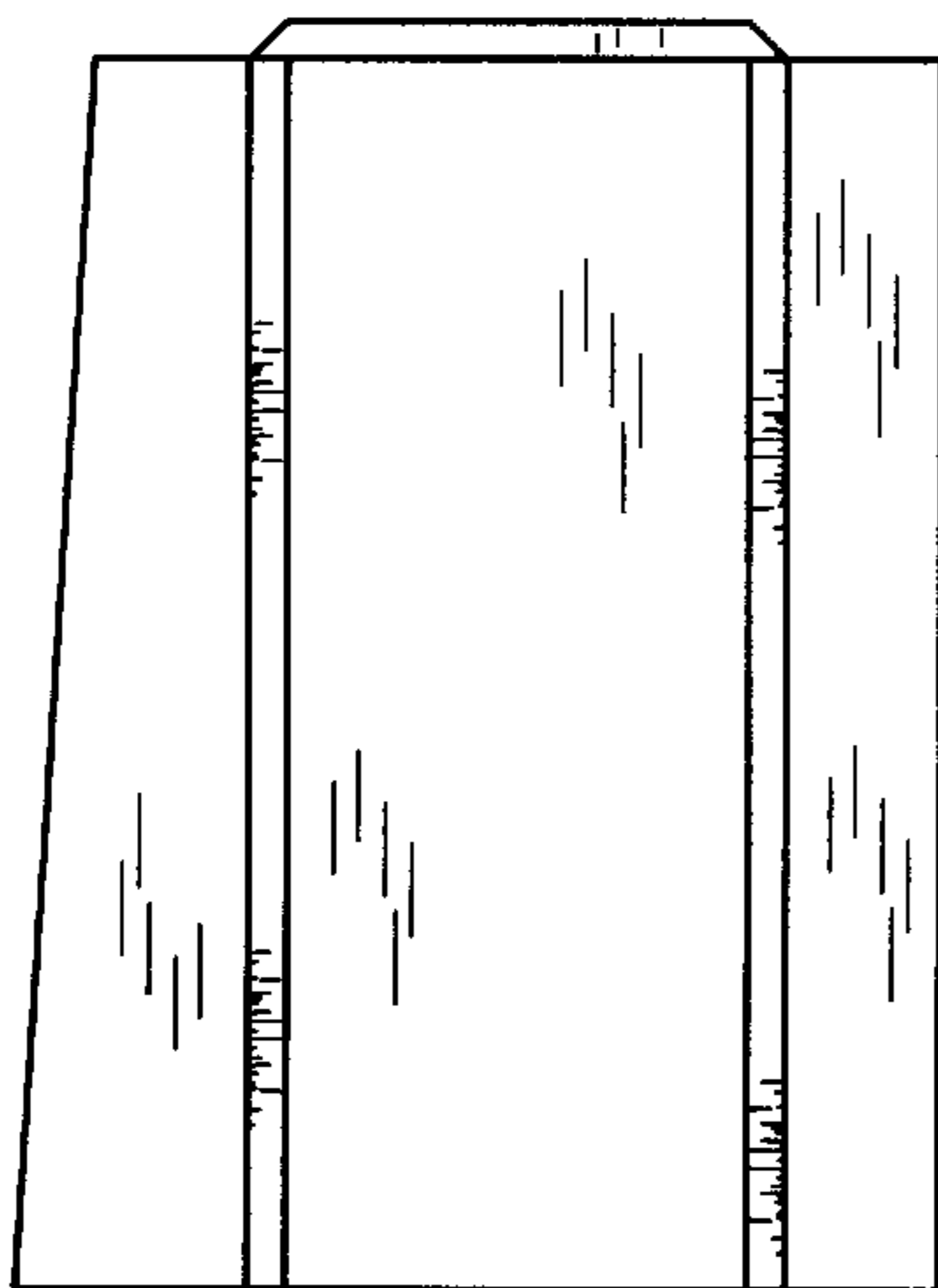


Fig. 4

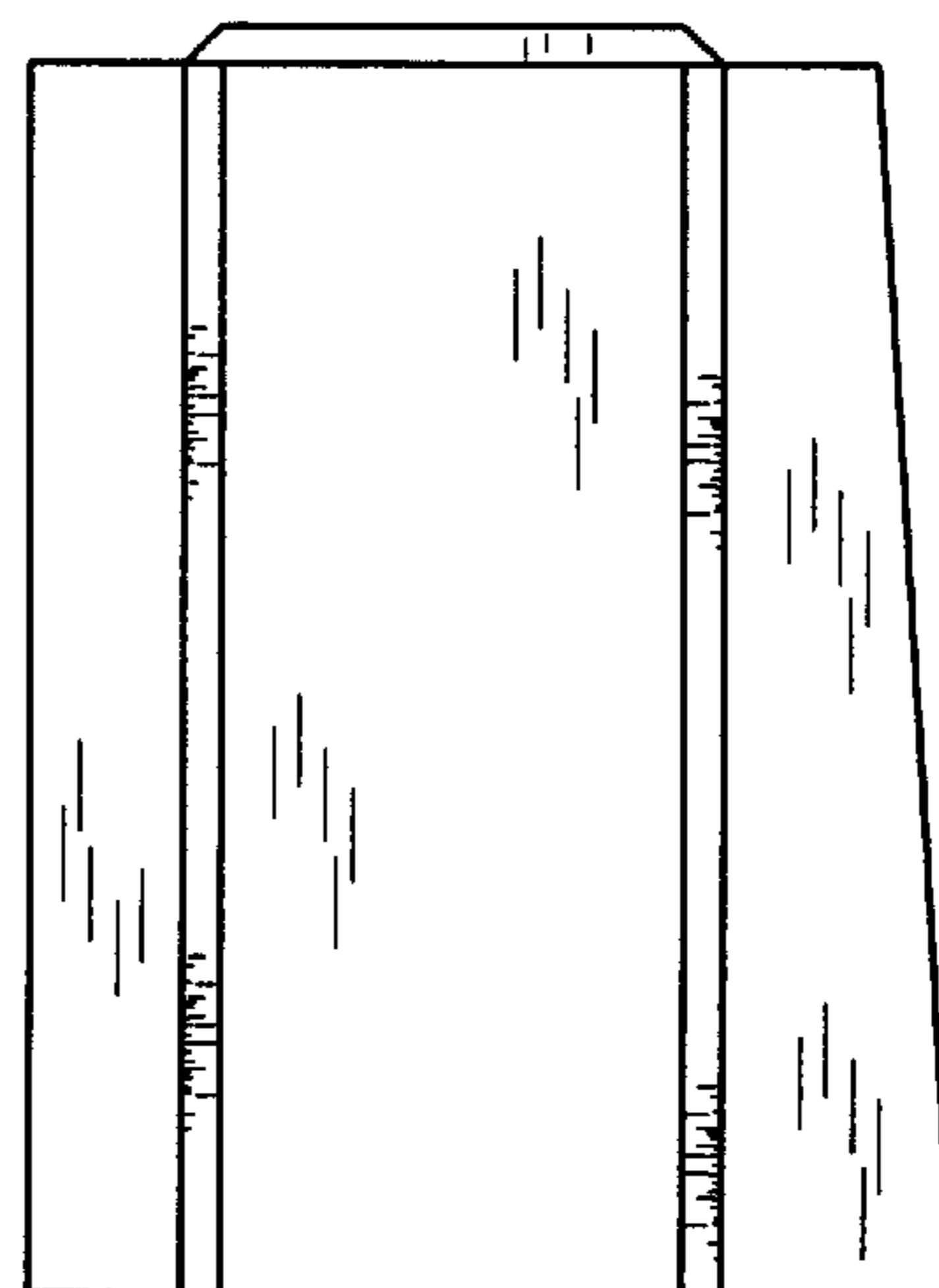


Fig. 5

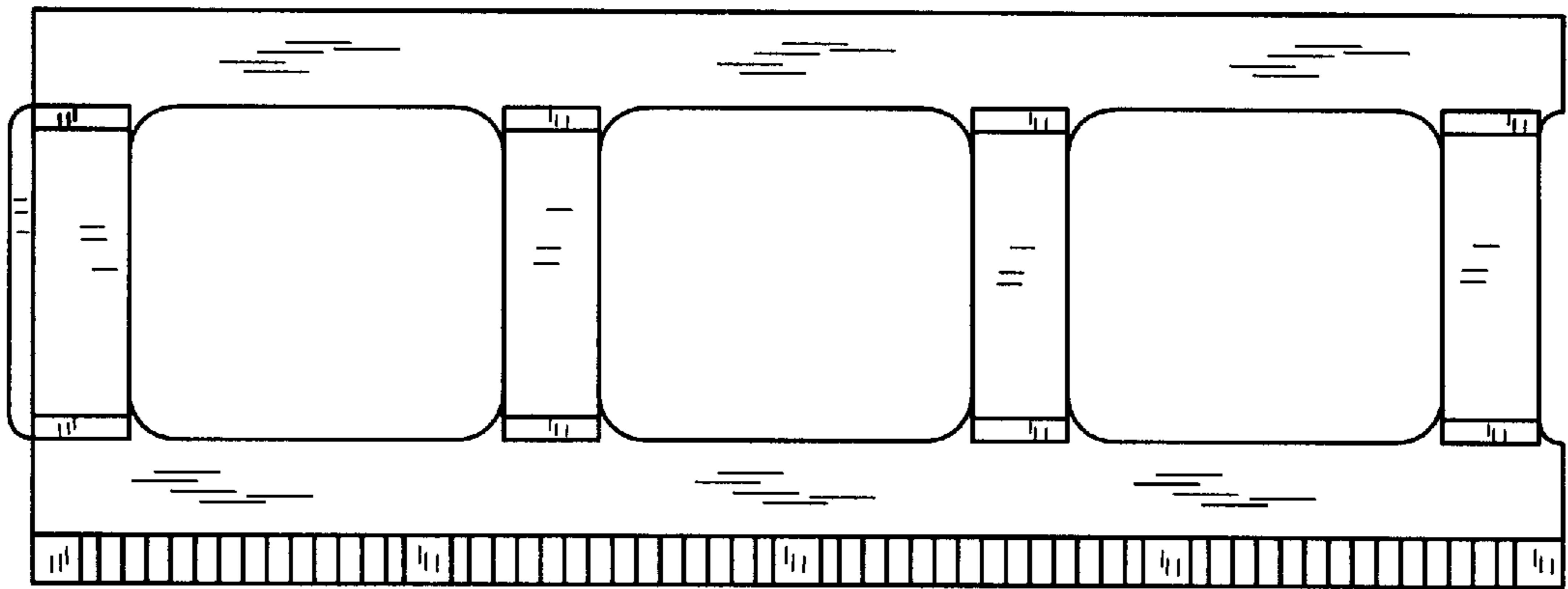


Fig. 6

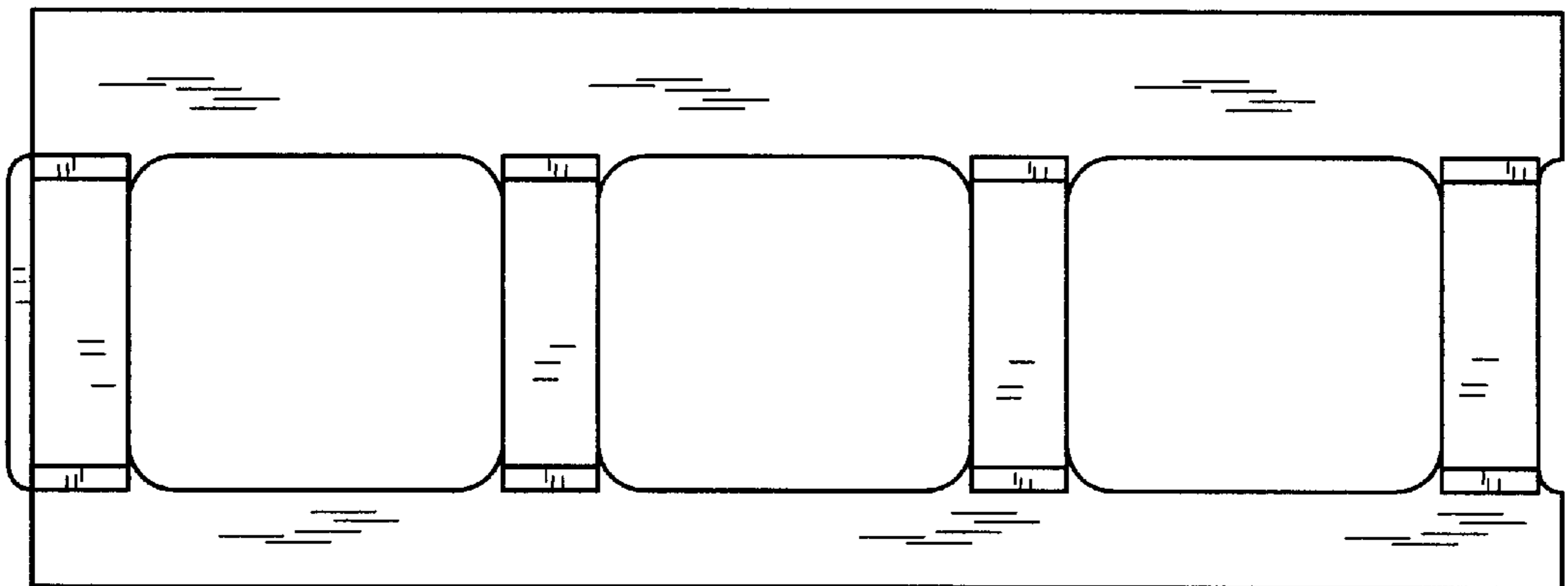


Fig. 7