



US00D464439S

(12) **United States Design Patent**
Payne

(10) **Patent No.:** **US D464,439 S**

(45) **Date of Patent:** **** Oct. 15, 2002**

(54) **PORTABLE SIDEWALK**

(76) Inventor: **Kenneth A. Payne**, P.O. Box 504,
Planterville, MS (US) 38862

(**) Term: **14 Years**

(21) Appl. No.: **29/147,301**

(22) Filed: **Aug. 27, 2001**

(51) **LOC (7) Cl.** **25-01**

(52) **U.S. Cl.** **D25/113**

(58) **Field of Search** D25/112-116,
D25/118; D21/484, 489, 491, 492, 500-505;
405/16, 272-273, 284; 404/29, 32-42;
52/102, 581, 588.1, 582.2, 582.1, 596-599,
608, 603-605, 612

(56) **References Cited**

U.S. PATENT DOCUMENTS

1,505,411	A	*	8/1924	Newell	404/35
2,025,815	A	*	12/1935	Horrige	404/41
D202,361	S	*	9/1965	Wolfe	D21/492
3,802,144	A		4/1974	Spica		
4,596,731	A		6/1986	Cudmore et al.		
4,681,482	A		7/1987	Arciszewski et al.		
4,826,351	A		5/1989	Haberhauer et al.		
4,917,532	A		4/1990	Haberhauer et al.		
D311,444	S	*	10/1990	Forsberg	D25/113
5,190,799	A		3/1993	Ellingson, III		
5,288,165	A		2/1994	Douwes Dekker		
D352,559	S	*	11/1994	Krueger et al.	D25/113
D354,526	S	*	1/1995	Ryaa et al.	D21/489
5,527,128	A		6/1996	Rope et al.		

5,678,370	A	*	10/1997	Douglass	404/37 X
D388,647	S		1/1998	Odell		
5,833,386	A		11/1998	Rosan et al.		
6,026,625	A	*	2/2000	Austin	404/36 X
D445,920	S	*	7/2001	Payne	D25/113

* cited by examiner

Primary Examiner—Louis S. Zarfes

Assistant Examiner—Robert A. Delehanty

(74) *Attorney, Agent, or Firm*—Lanier Ford Shaver & Payne, P.C.; Gerald M. Walsh

(57) **CLAIM**

I claim the ornamental design for a portable sidewalk, as shown and described.

DESCRIPTION

FIG. 1 is a top, front perspective view of the portable sidewalk of the present invention.

FIG. 2 is a bottom, left side perspective view of the portable sidewalk of FIG. 1.

FIG. 3 is a top plan view of the portable sidewalk of FIG. 1.

FIG. 4 is a bottom plan view of the portable sidewalk of FIG. 1.

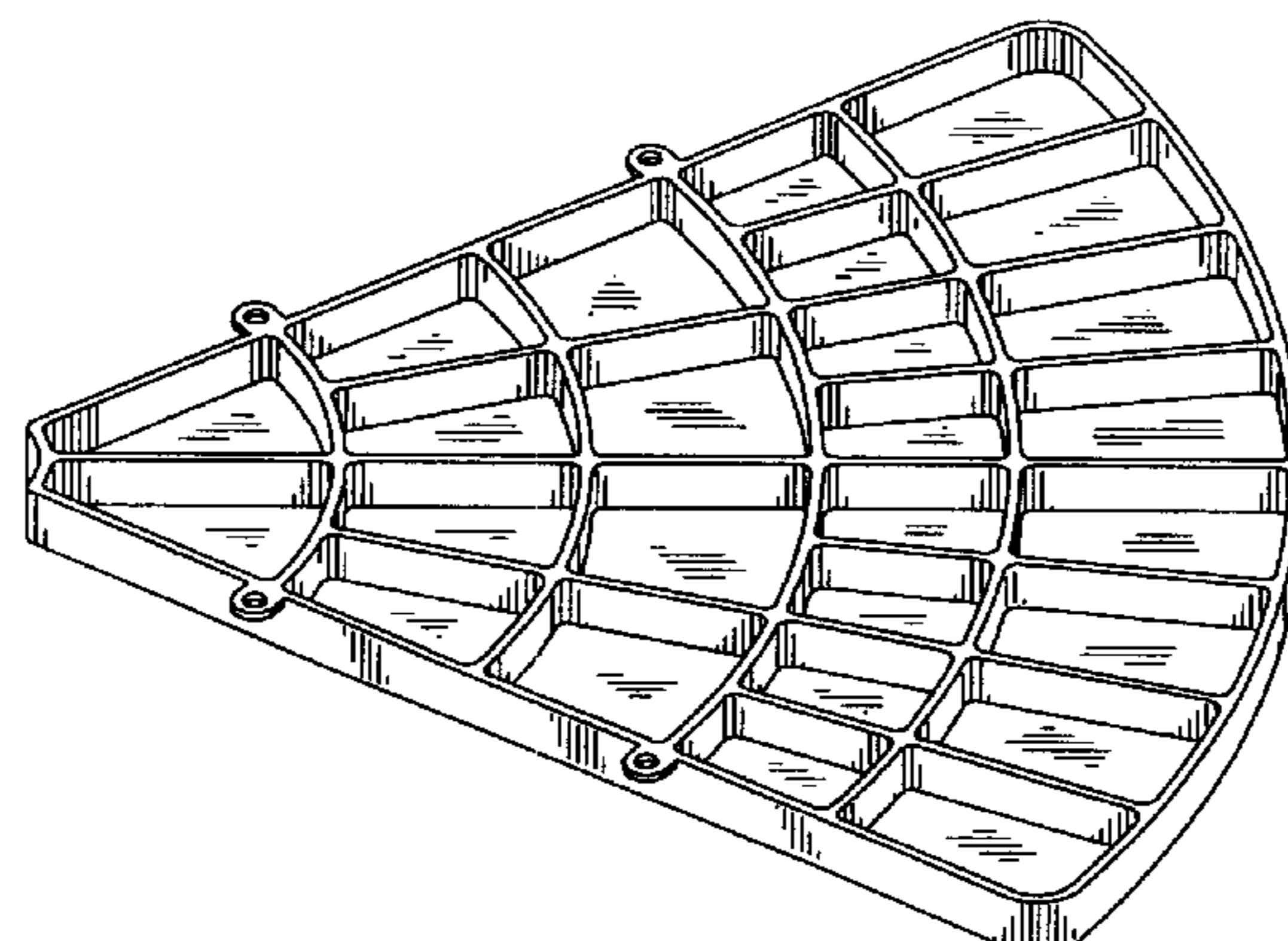
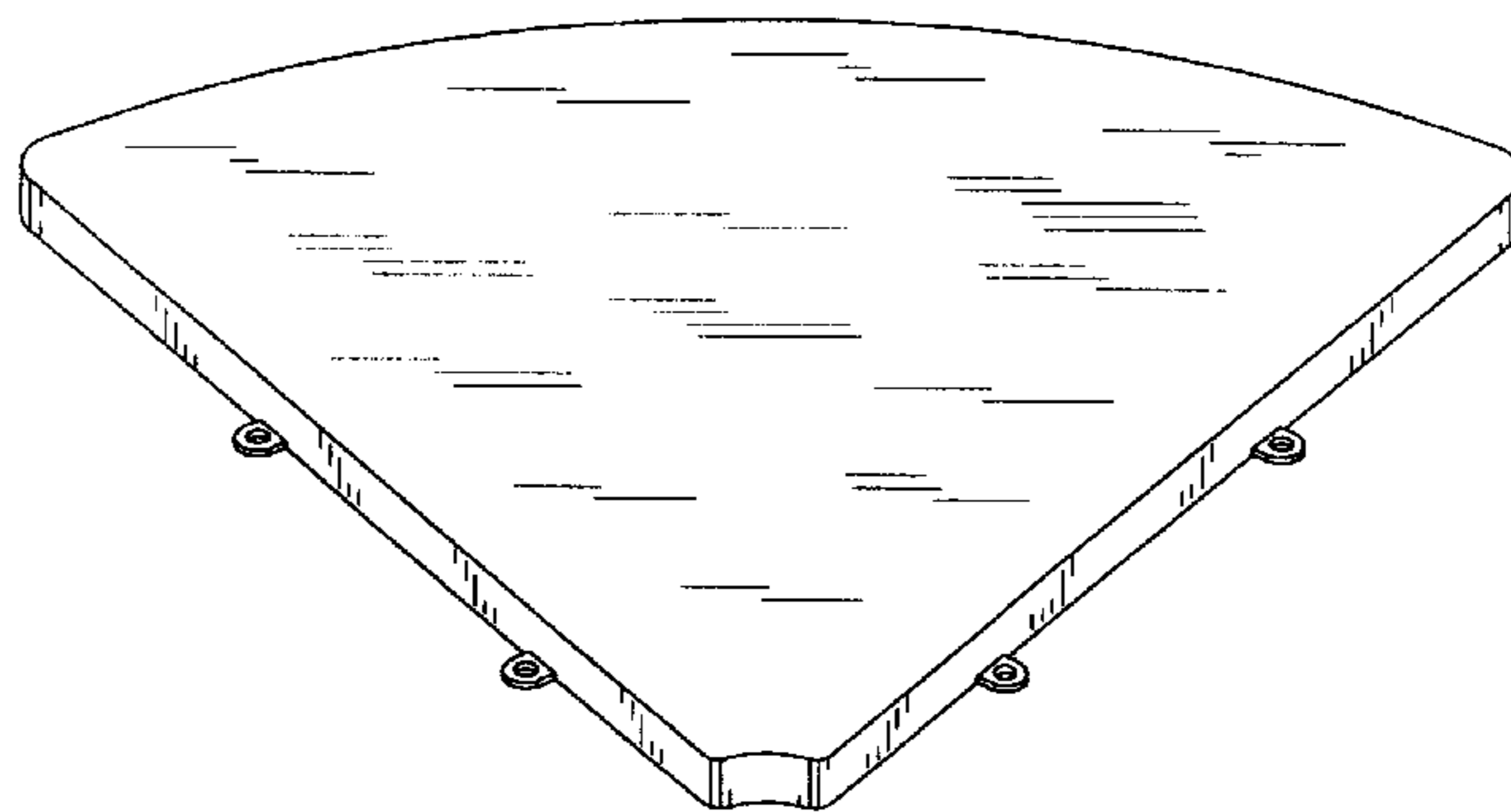
FIG. 5 is a rear elevation view of the portable sidewalk of FIG. 1.

FIG. 6 is a front elevation view of the portable sidewalk of FIG. 1.

FIG. 7 is a left side elevation view of the portable sidewalk of FIG. 1; and,

FIG. 8 is a right side elevation view of the portable sidewalk of FIG. 1.

1 Claim, 3 Drawing Sheets



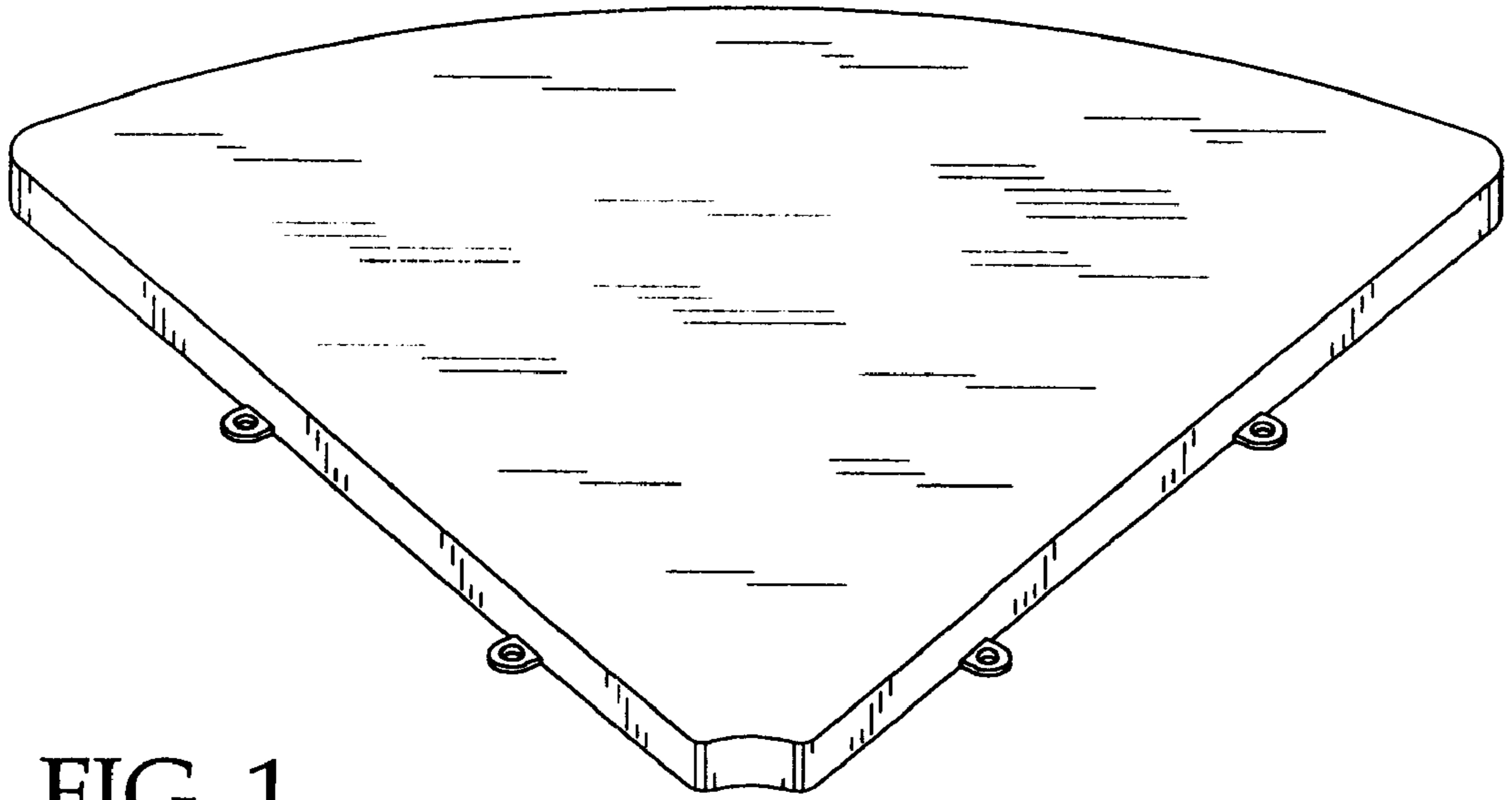


FIG. 1

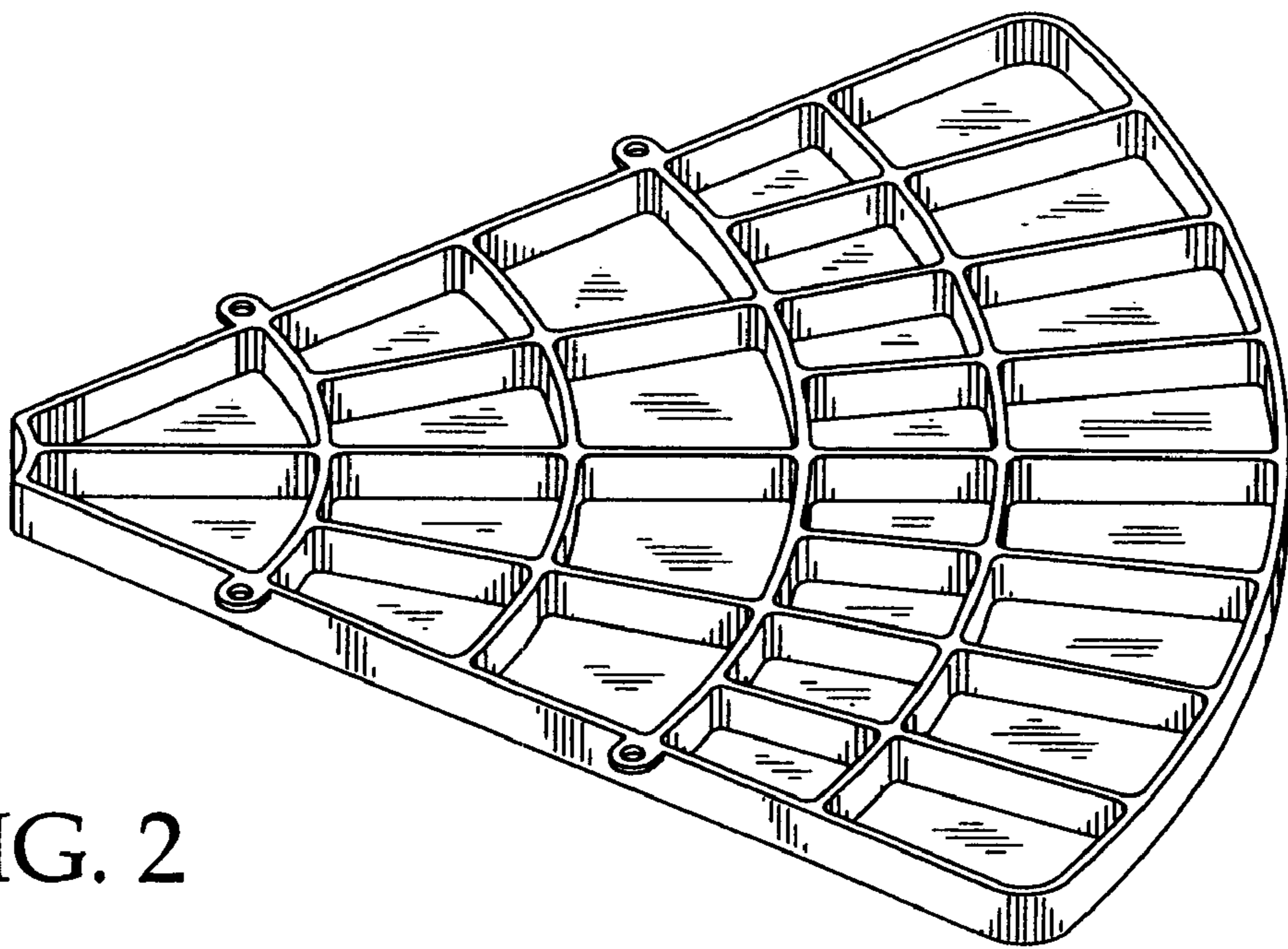


FIG. 2

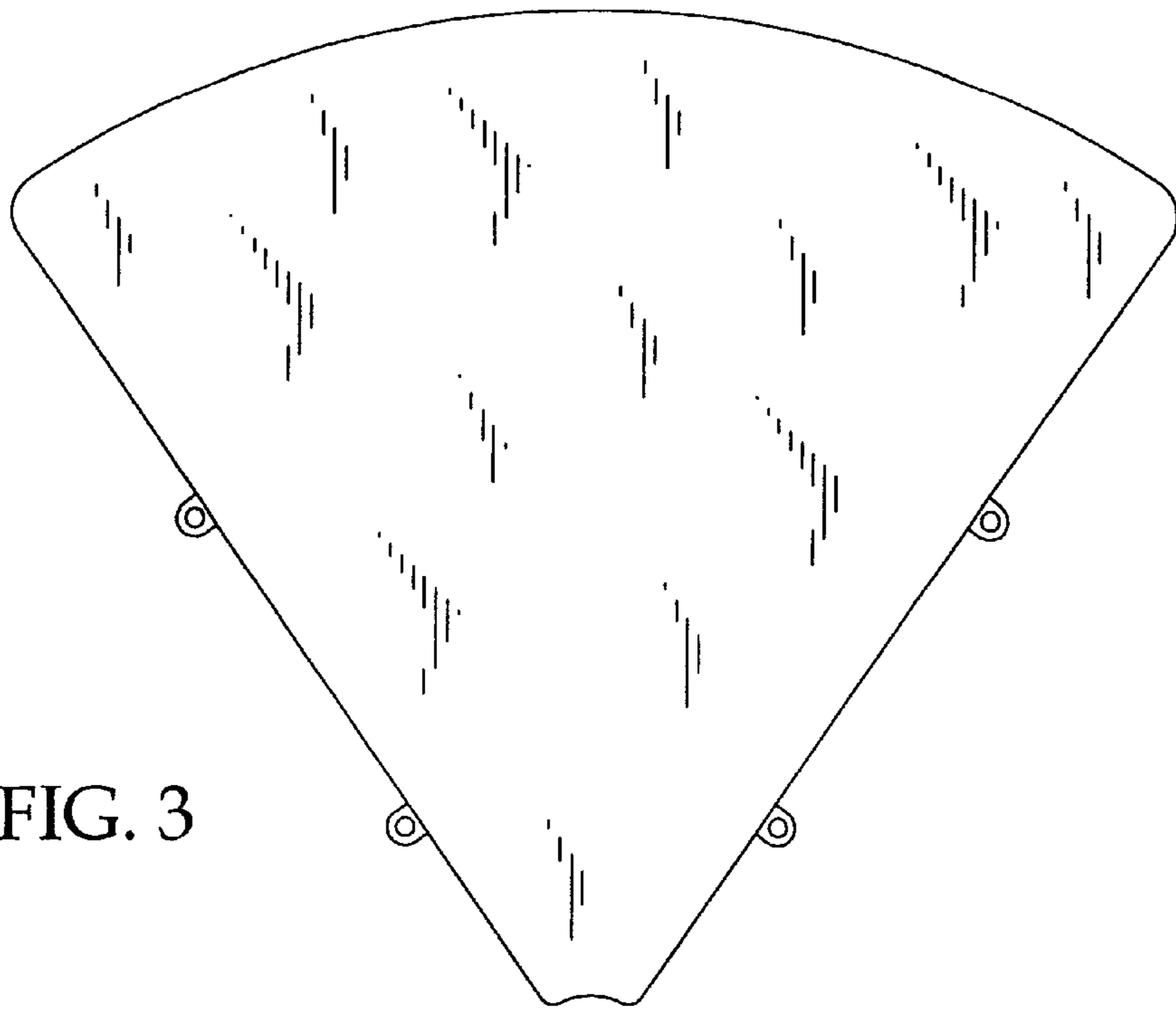


FIG. 3

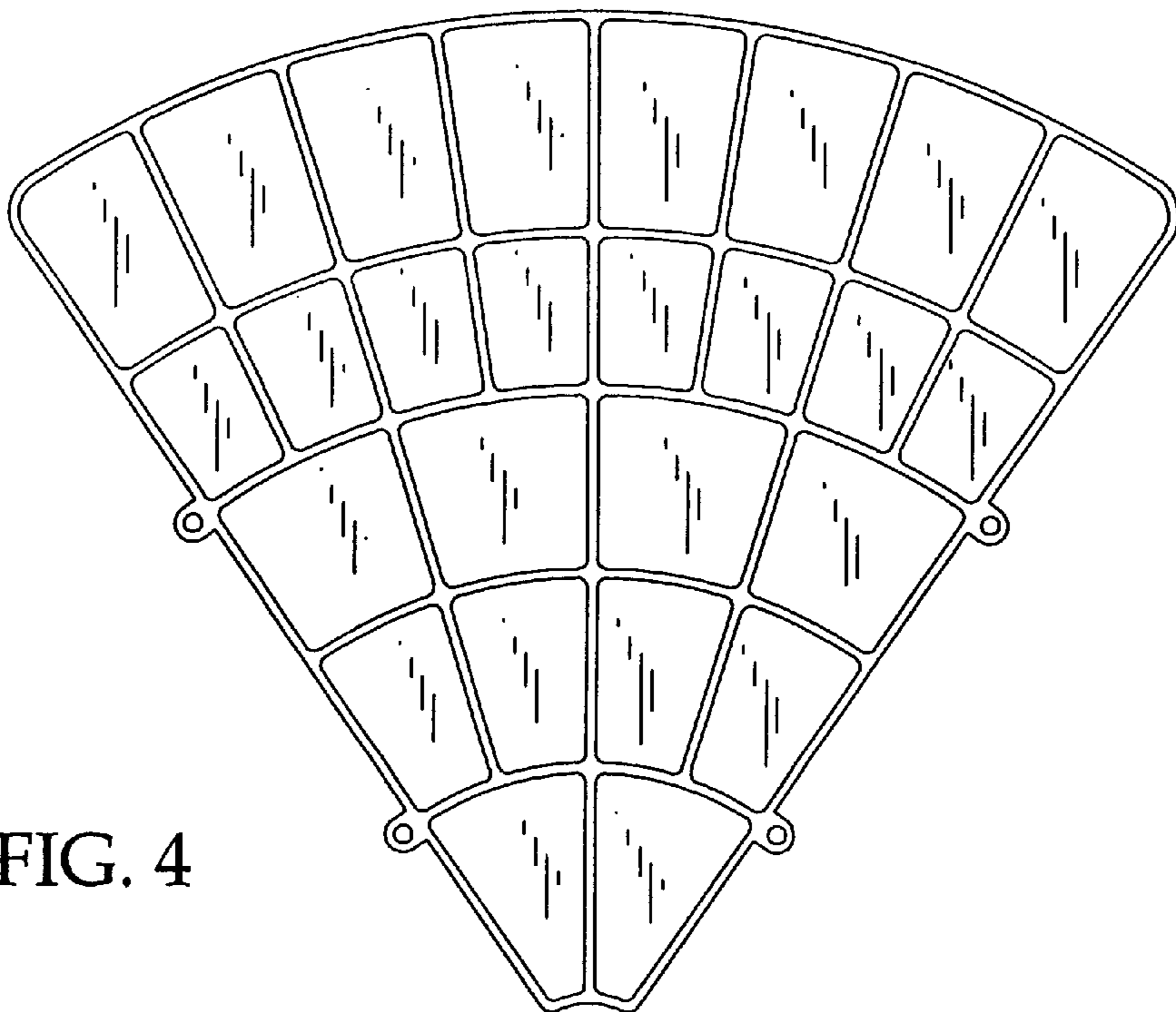


FIG. 4

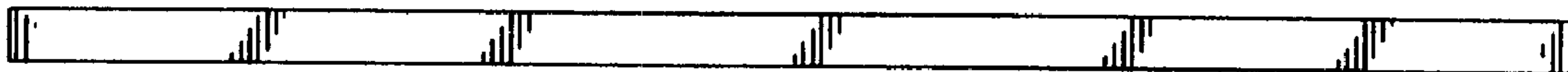


FIG. 5

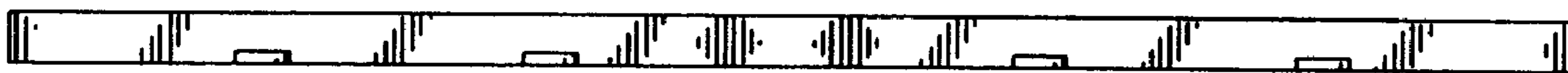


FIG. 6

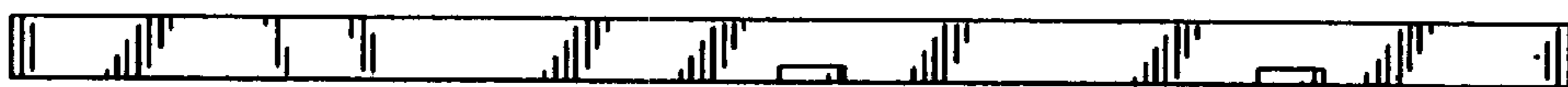


FIG. 7



FIG. 8