



US00D464435S

(12) **United States Design Patent**
Abraham et al.

(10) **Patent No.:** **US D464,435 S**

(45) **Date of Patent:** **** Oct. 15, 2002**

(54) **BATH TUB SPA**
(75) Inventors: **Paul Andrew Abraham**, Mount Kisco, NY (US); **Mo Hung Chloe Pau**, Kwai Chung (HK)

(73) Assignee: **Conair CIP, Inc.**, Stamford, CT (US)

(**) Term: **14 Years**

(21) Appl. No.: **29/129,650**

(22) Filed: **Sep. 20, 2000**

(51) **LOC (7) Cl.** **24-04**

(52) **U.S. Cl.** **D24/201**

(58) **Field of Search** D24/201; 4/541.1, 4/541.3, 541.4, 541.6, 492

4,972,224 A	11/1990	Thompson	355/1
5,173,973 A	12/1992	Mersmann	4/541.1
5,386,598 A	2/1995	Mersmann	4/541.4
D425,995 S	* 5/2000	Tobin et al.	D24/201
D427,690 S	* 7/2000	Lie	D24/201
D449,892 S	* 10/2001	Lie	D24/201
D452,571 S	* 12/2001	Lie	D24/201

* cited by examiner

Primary Examiner—Stella Reid

(74) *Attorney, Agent, or Firm*—Ohlandt, Greeley, Ruggiero & Perle, LLP

(57) **CLAIM**

The ornamental design for the bath tub spa, as shown and described.

DESCRIPTION

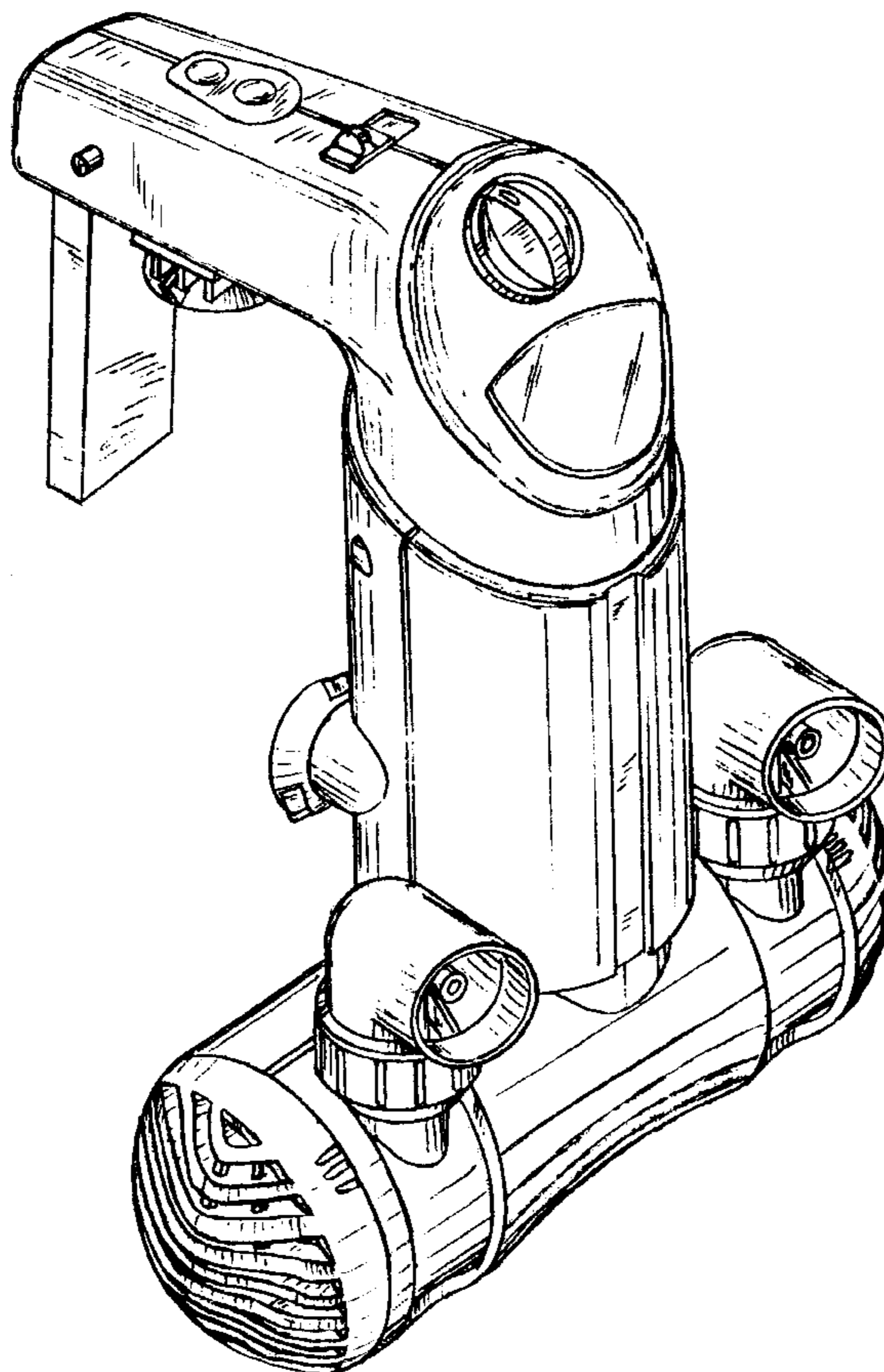
FIG. 1 is a perspective view of the bath tub spa according to the present invention;
FIG. 2 is a top view of the bath tub spa of FIG. 1;
FIG. 3 is front view of the bath tub spa of FIG. 1;
FIG. 4 is a first side view of the bath tub spa of FIG. 1;
FIG. 5 is a second, opposite side view of the bath tub spa of FIG. 1;
FIG. 6 is a rear view of the bath tub spa of FIG. 1; and,
FIG. 7 is a bottom view of the bath tub spa of FIG. 1.

1 Claim, 7 Drawing Sheets

(56) **References Cited**

U.S. PATENT DOCUMENTS

3,846,848 A	11/1974	McNair	4/180
3,861,384 A	1/1975	Casternovia	128/66
3,961,382 A	6/1976	Peterson, Jr.	4/178
4,127,117 A	11/1978	Peterson, Jr.	128/66
4,282,866 A	8/1981	Miffitt	128/66
4,630,599 A	12/1986	Perovick et al.	128/66
4,726,917 A	2/1988	Masaki	261/36.1
4,774,934 A	10/1988	Hara	128/66
4,957,101 A	9/1990	Hara	128/66



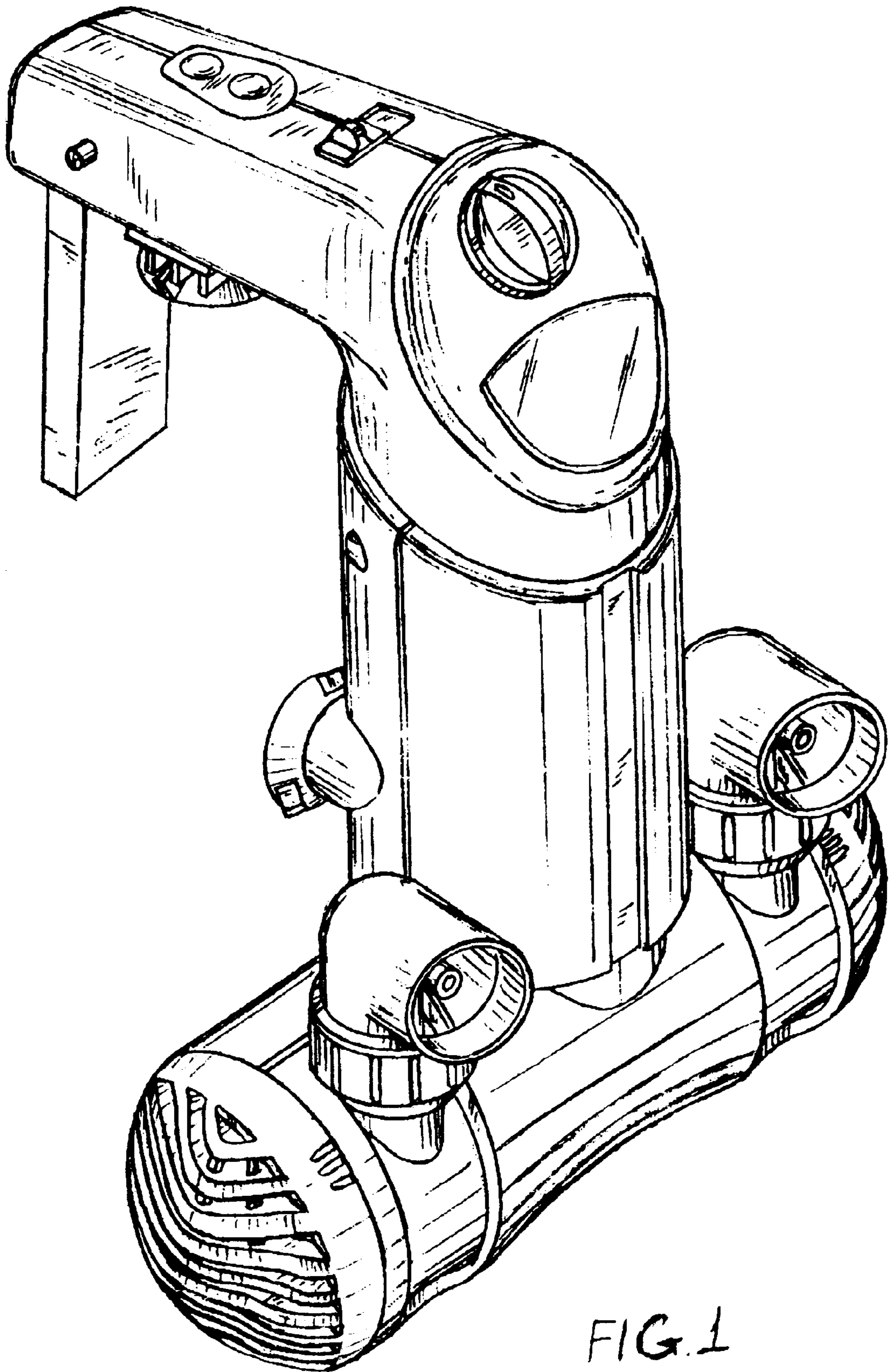


FIG. 1

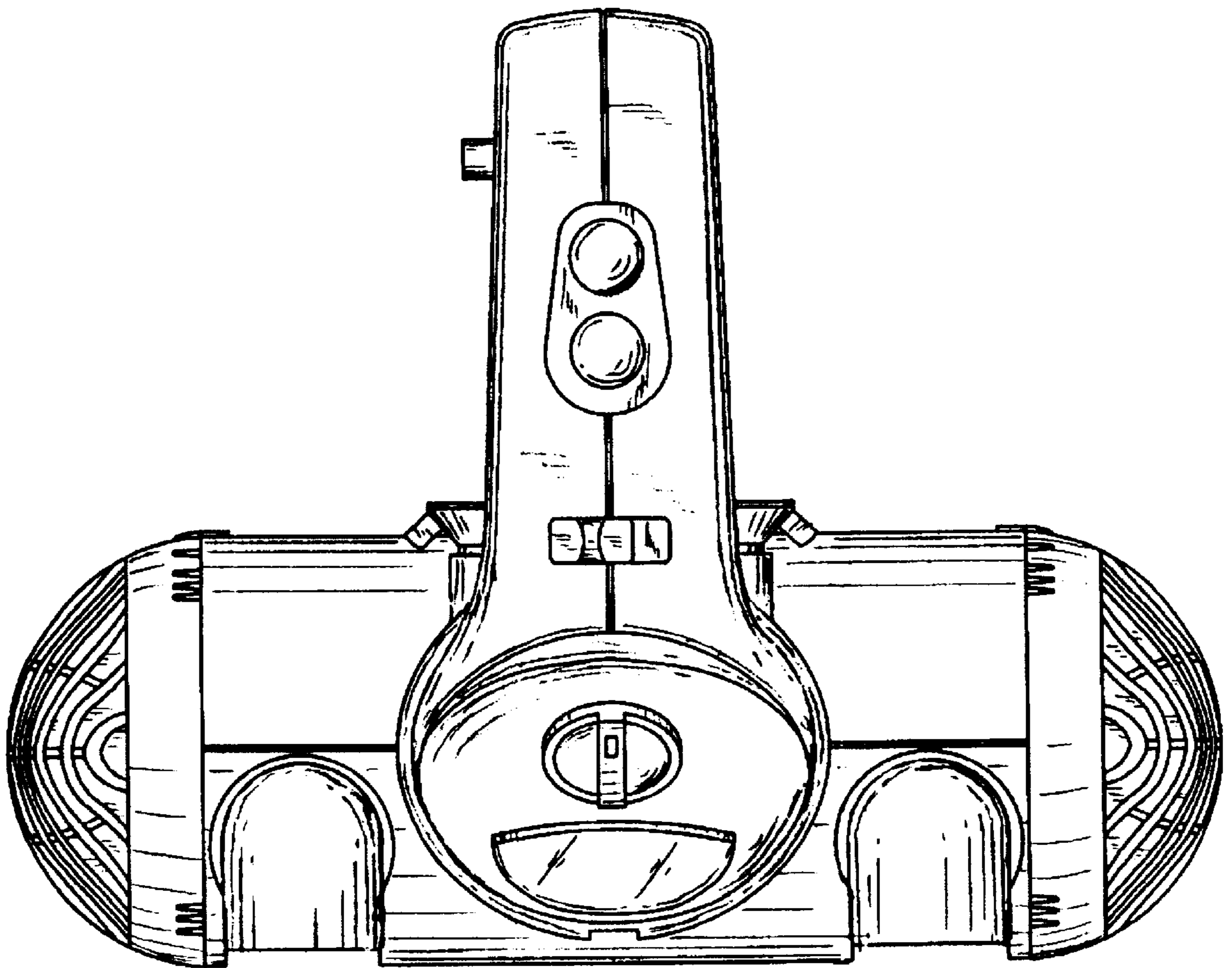


FIG. 2

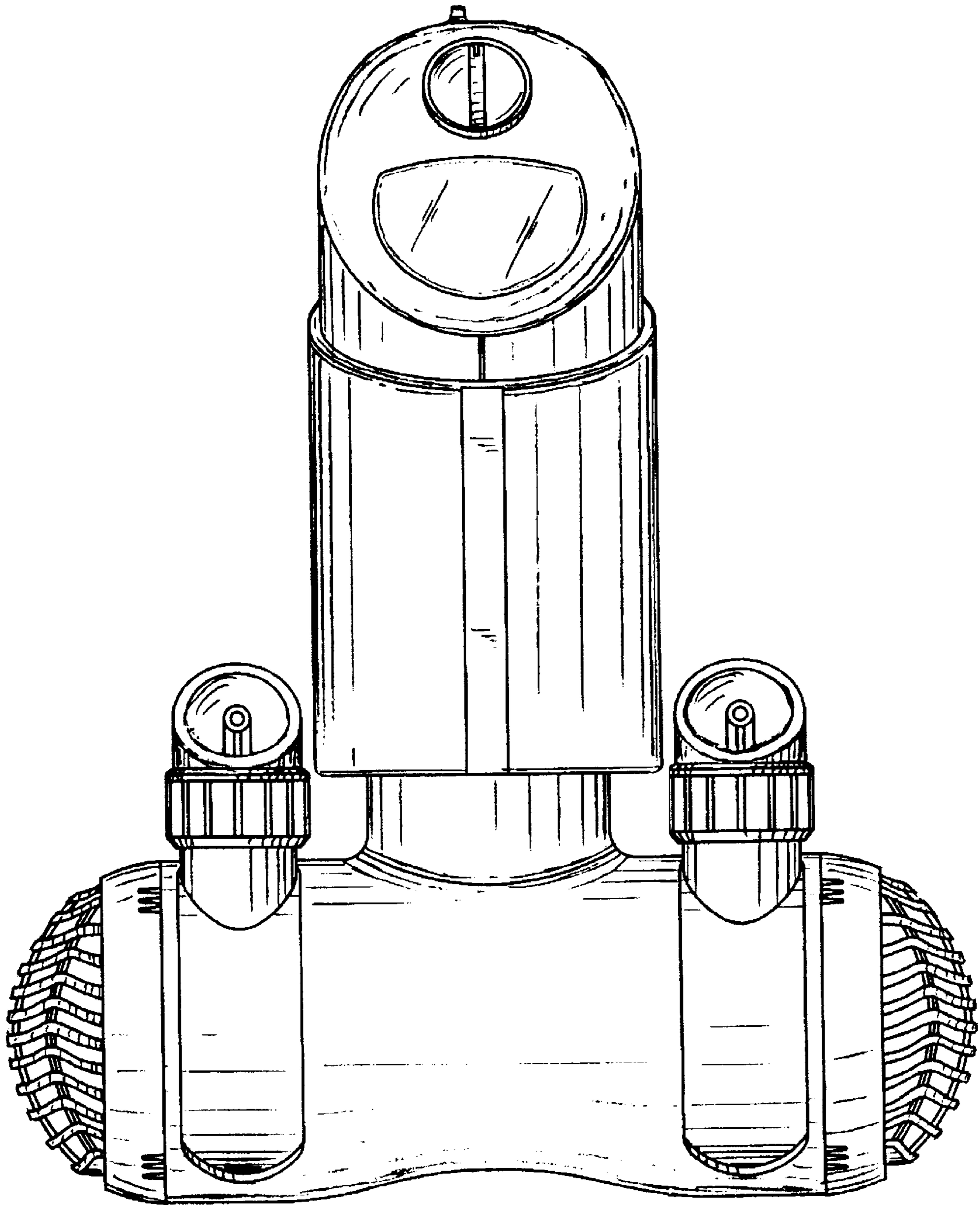


FIG. 3

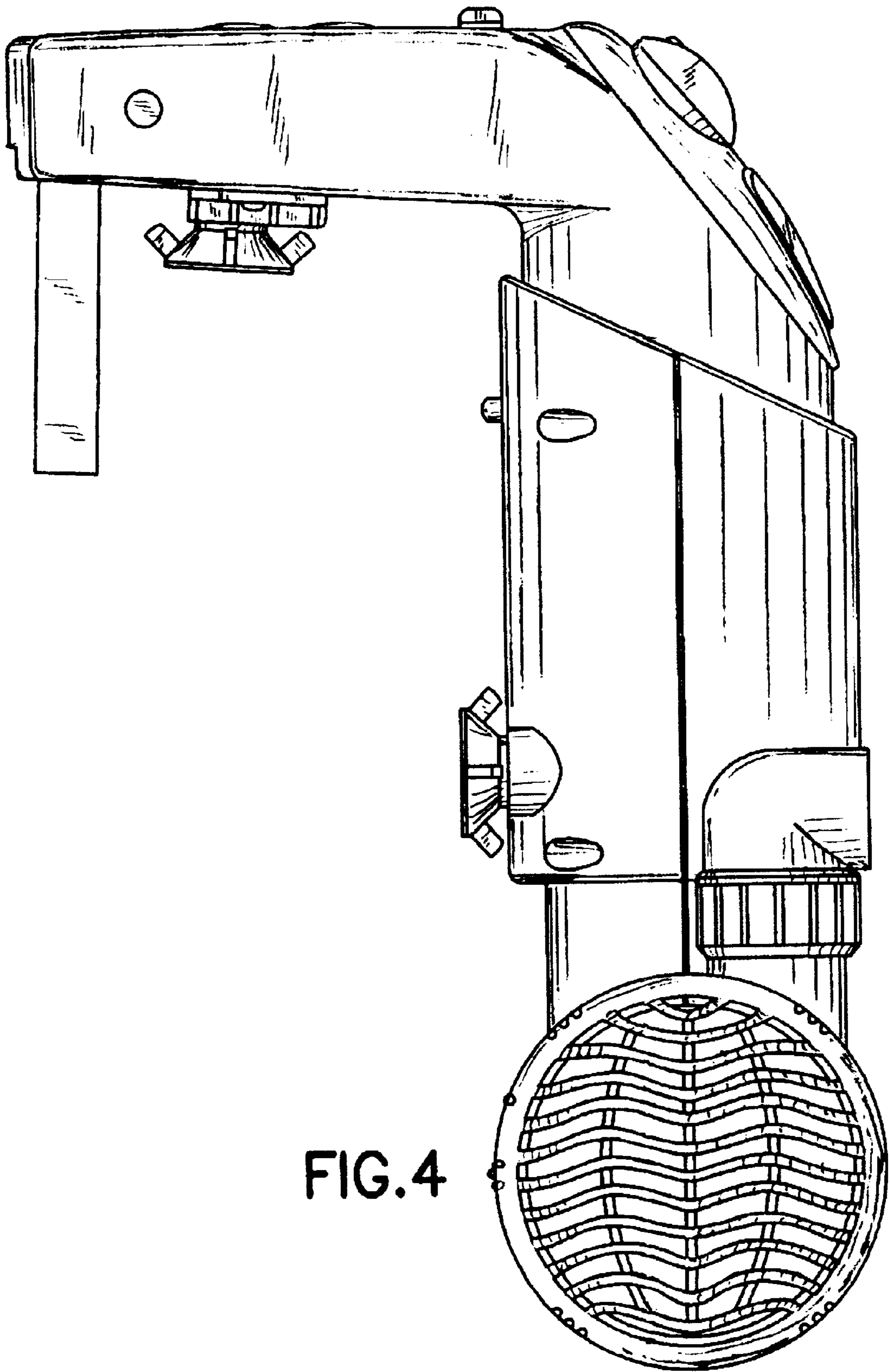


FIG. 4

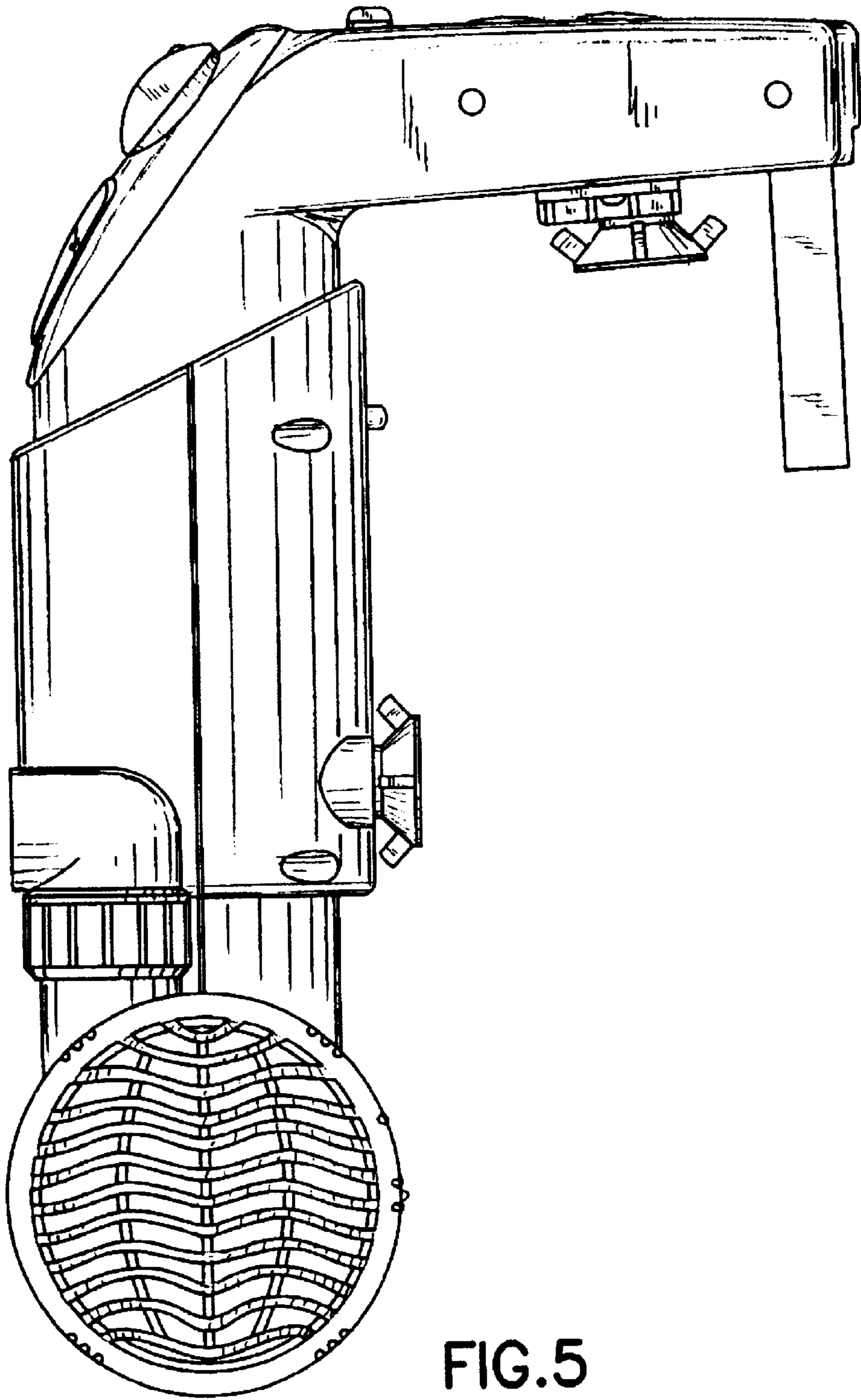


FIG.5

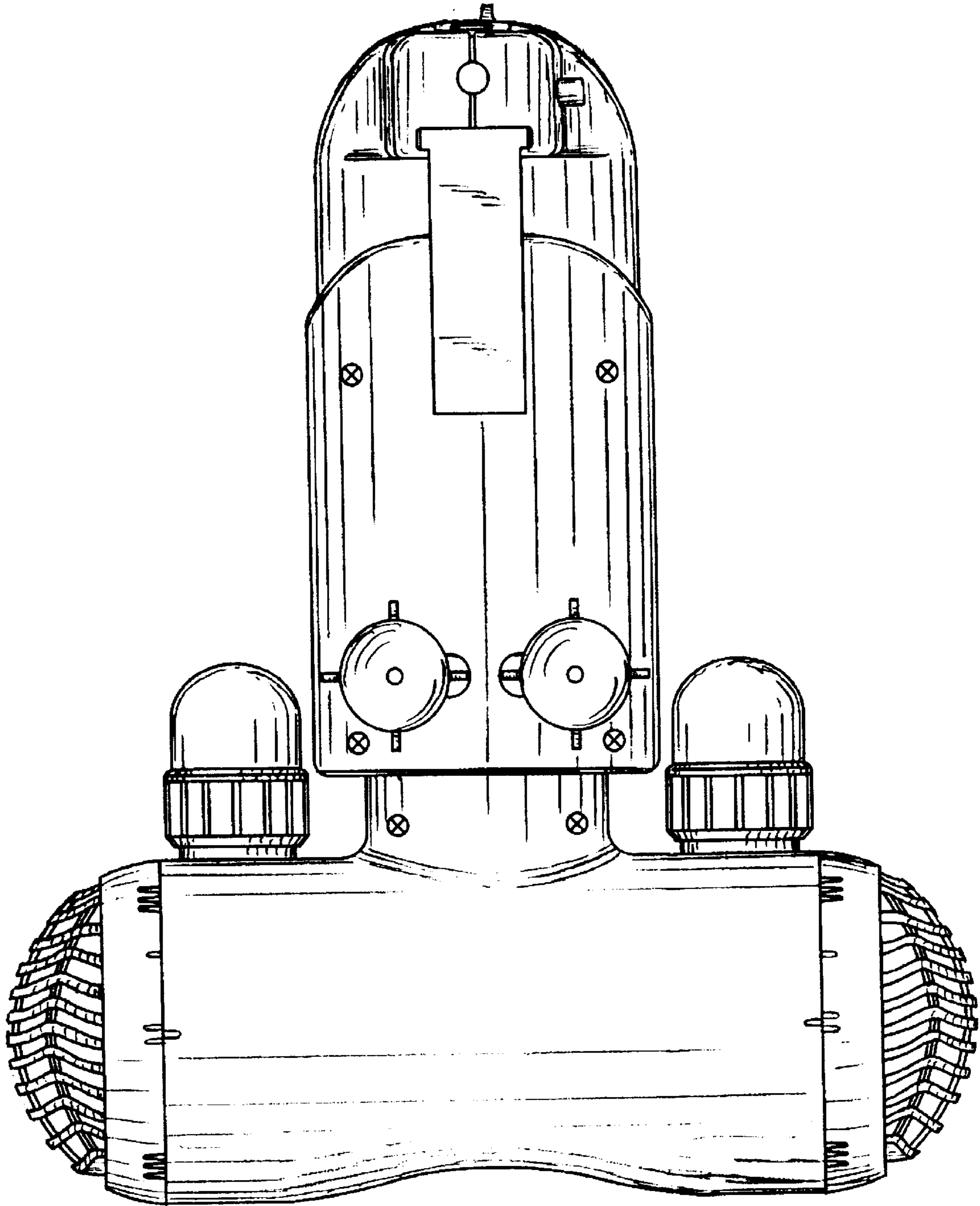


FIG. 6

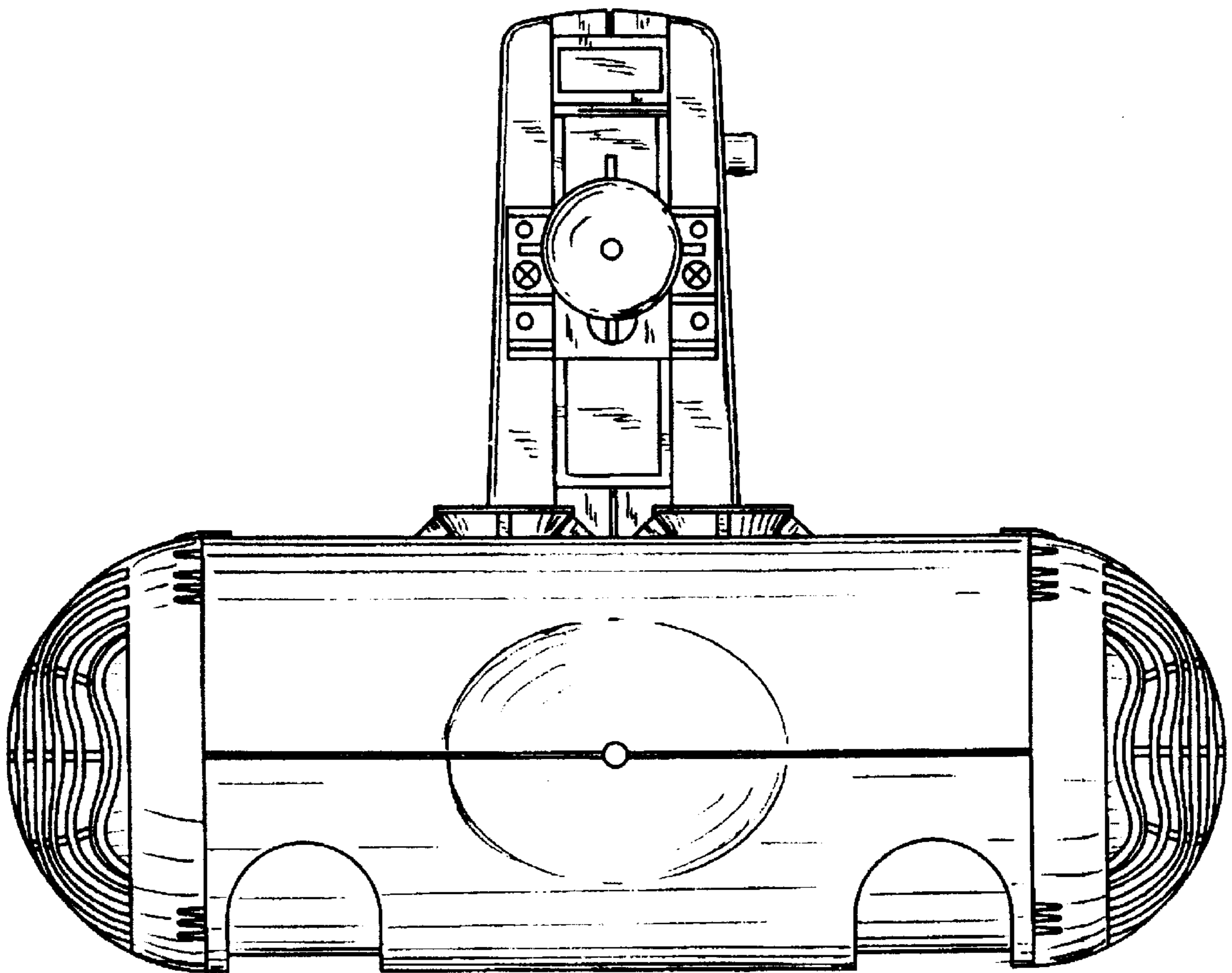


FIG. 7