



US00D464434S

(12) **United States Design Patent**  
**Morano**

(10) **Patent No.:** **US D464,434 S**

(45) **Date of Patent:** **\*\* Oct. 15, 2002**

(54) **BOTTLE WITH NIPPLE**

(75) Inventor: **Emanuel Peter Morano**, Totowa, NJ  
(US)

(73) Assignee: **Munchkin, Inc.**, Van Nuys, CA (US)

(\*\*) Term: **14 Years**

(21) Appl. No.: **29/146,956**

(22) Filed: **Aug. 20, 2001**

(51) **LOC (7) Cl.** ..... **07-01**

(52) **U.S. Cl.** ..... **D24/197**

(58) **Field of Search** ..... D24/197; 215/11.1,  
215/11.2, 11.3, 11.4, 11.5, 11.6

D399,005 S	9/1998	Chan et al.
5,881,893 A	3/1999	Manganiello
D412,033 S	7/1999	Morano
6,132,810 A	3/2000	Meyers et al.
6,053,342 A	4/2000	Chomik
6,073,788 A	6/2000	Stroud
D428,496 S	7/2000	Thorm et al.
6,092,680 A	7/2000	Pillado
6,112,919 A	9/2000	Ho
6,173,850 B1	1/2001	Scheetz, Jr. et al.
D440,316 S	4/2001	Tollman
D440,317 S	4/2001	Tollman
D441,087 S	4/2001	Johansen et al.
D441,872 S	5/2001	Johansen et al.
6,241,110 B1	6/2001	Hakim

\* cited by examiner

*Primary Examiner*—Stella Reid

(74) *Attorney, Agent, or Firm*—Knoble & Yoshida, LLC

(56) **References Cited**

**U.S. PATENT DOCUMENTS**

3,113,569 A	12/1963	Barr et al.	
3,145,867 A	8/1964	Roberts et al.	
D226,688 S	4/1973	Thornton	
D249,076 S	* 8/1978	Meeker et al. ....	D30/132
4,488,551 A	12/1984	Connelly	
4,613,050 A	9/1986	Atkin et al.	
4,676,387 A	6/1987	Stephenson et al.	
4,813,556 A	3/1989	Lawrence	
4,834,099 A	5/1989	Schrooten	
4,940,151 A	7/1990	Fett	
D313,075 S	12/1990	Mariol	
D316,754 S	* 5/1991	Lau .....	D24/197
5,101,992 A	4/1992	Serre	
5,244,105 A	9/1993	Serre	
5,284,261 A	2/1994	Zambuto	
D356,160 S	3/1995	Cautereels	
D371,849 S	7/1996	Thorm	
5,535,899 A	7/1996	Carlson	
5,588,548 A	12/1996	Brankley	
D382,968 S	8/1997	Giles et al.	
D382,969 S	8/1997	Giles et al.	
5,673,806 A	10/1997	Bunsel	
D389,583 S	1/1998	Thorm	
D394,113 S	5/1998	Walsh et al.	
D397,444 S	8/1998	Ibey	
5,791,503 A	8/1998	Lyons	

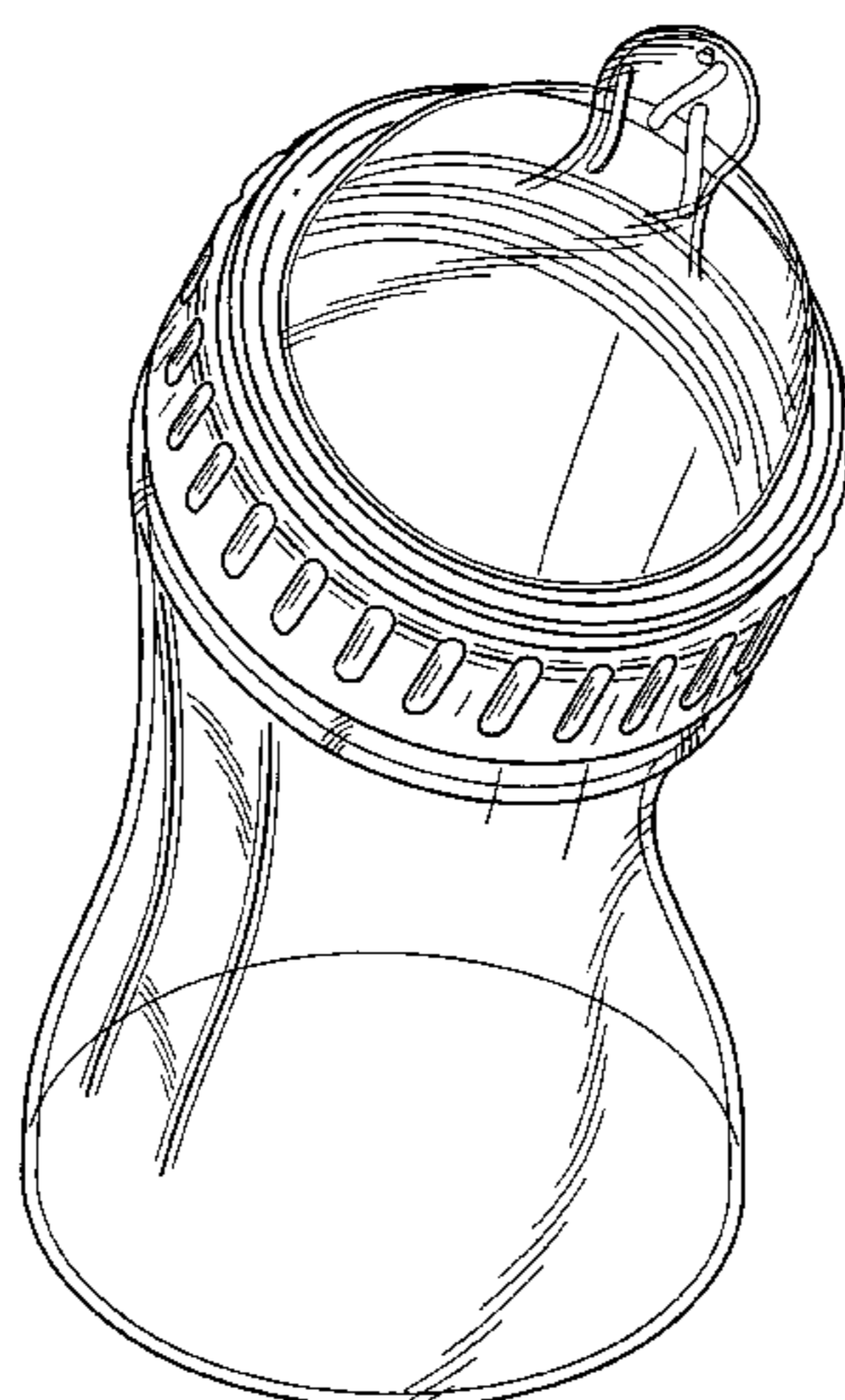
(57) **CLAIM**

The ornamental design for a bottle with nipple, as shown and described.

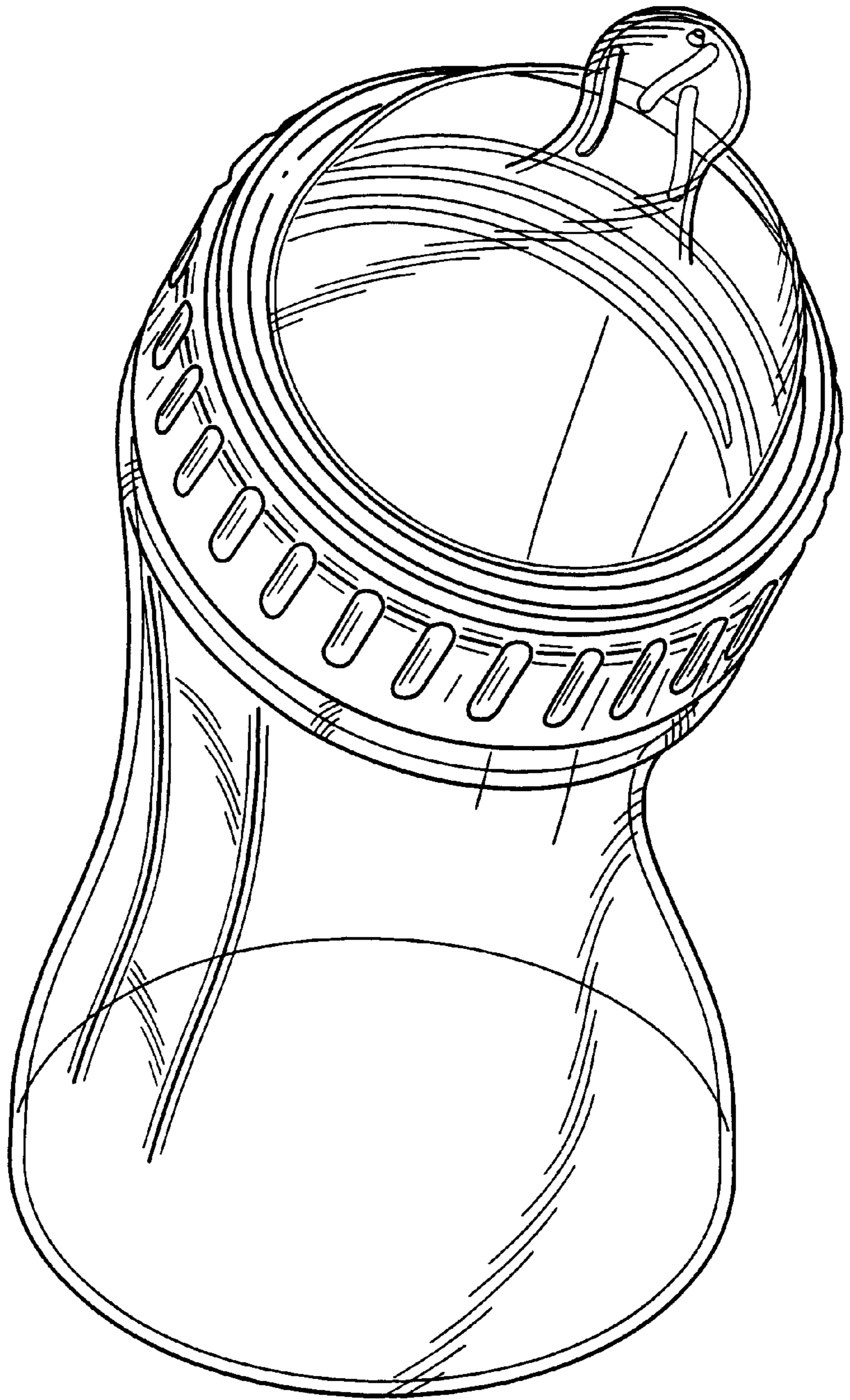
**DESCRIPTION**

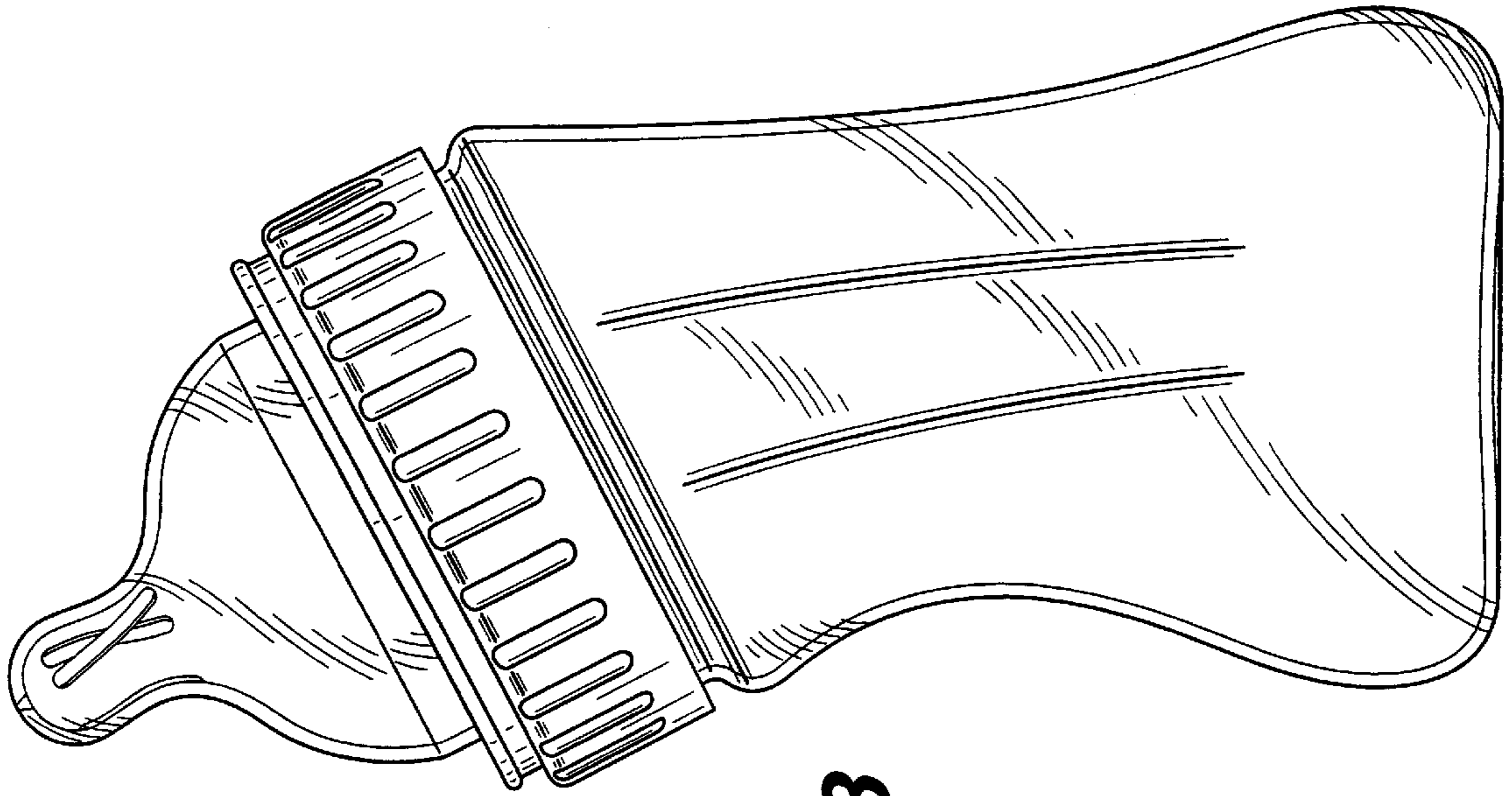
FIG. 1 is a perspective view of the bottle with nipple as seen from the top, front and left sides;  
 FIG. 2 is a front elevational view thereof;  
 FIG. 3 is a right side elevational view thereof;  
 FIG. 4 is a rear elevational view thereof;  
 FIG. 5 is a left side elevational view thereof;  
 FIG. 6 is a top plan view thereof;  
 FIG. 7 is a bottom plan view thereof;  
 FIG. 8 is a perspective view of an alternative embodiment of the bottle with nipple as seen from the top, front and left sides;  
 FIG. 9 is a front elevational view thereof;  
 FIG. 10 is a right side elevational view thereof;  
 FIG. 11 is a rear elevational view thereof;  
 FIG. 12 is a left side elevational view thereof;  
 FIG. 13 is a top plan view thereof; and,  
 FIG. 14 is a bottom plan view thereof.

**1 Claim, 10 Drawing Sheets**

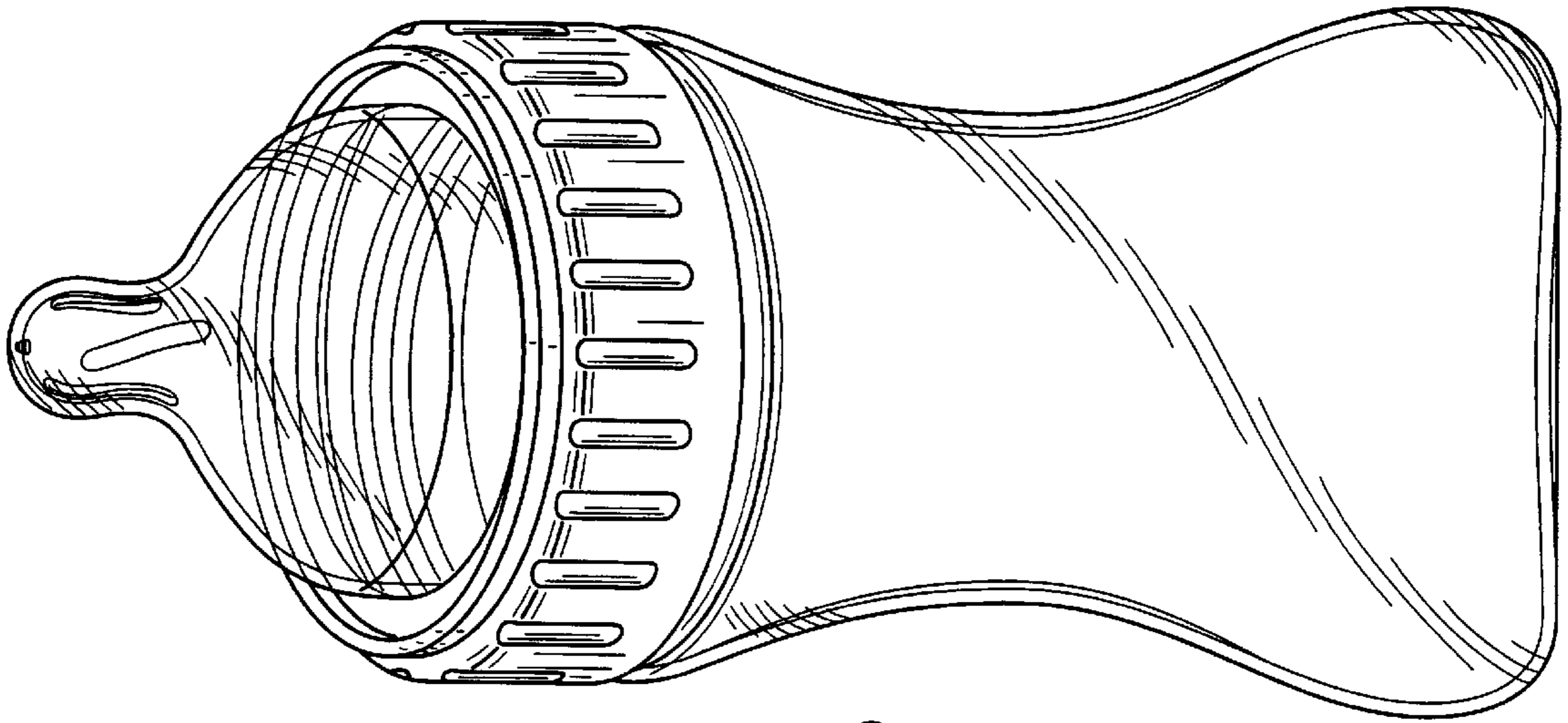


**FIG. 1**



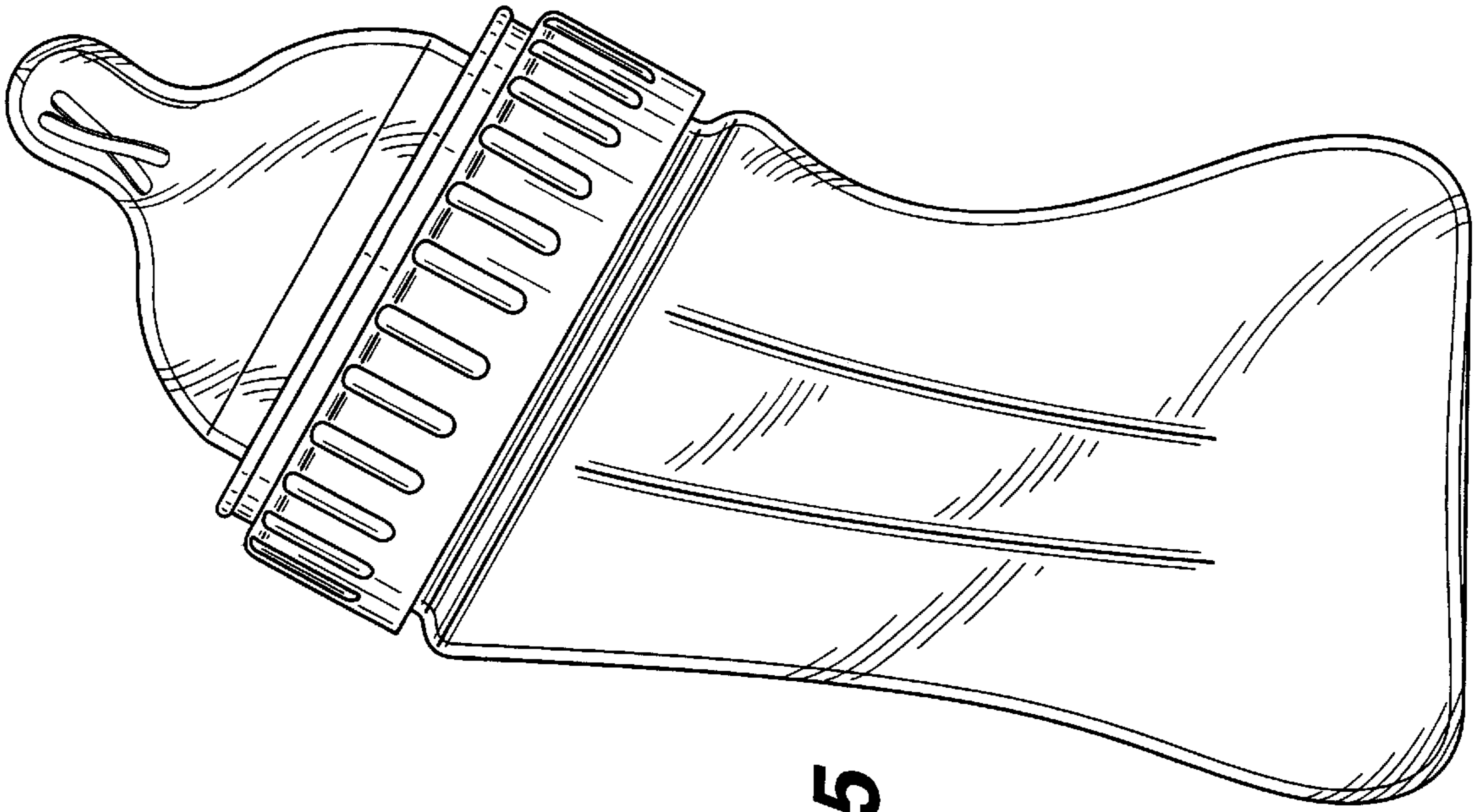


**FIG. 3**

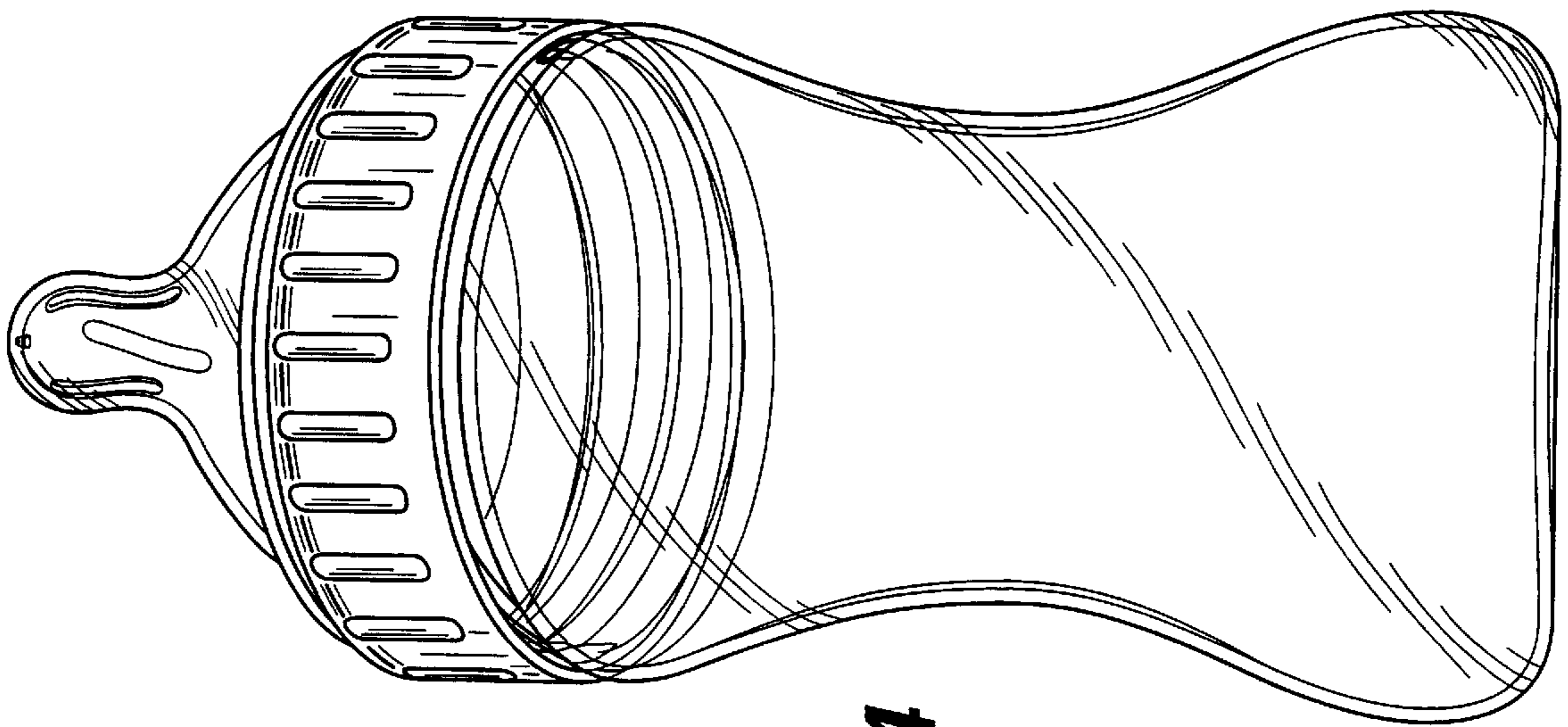


**FIG. 2**



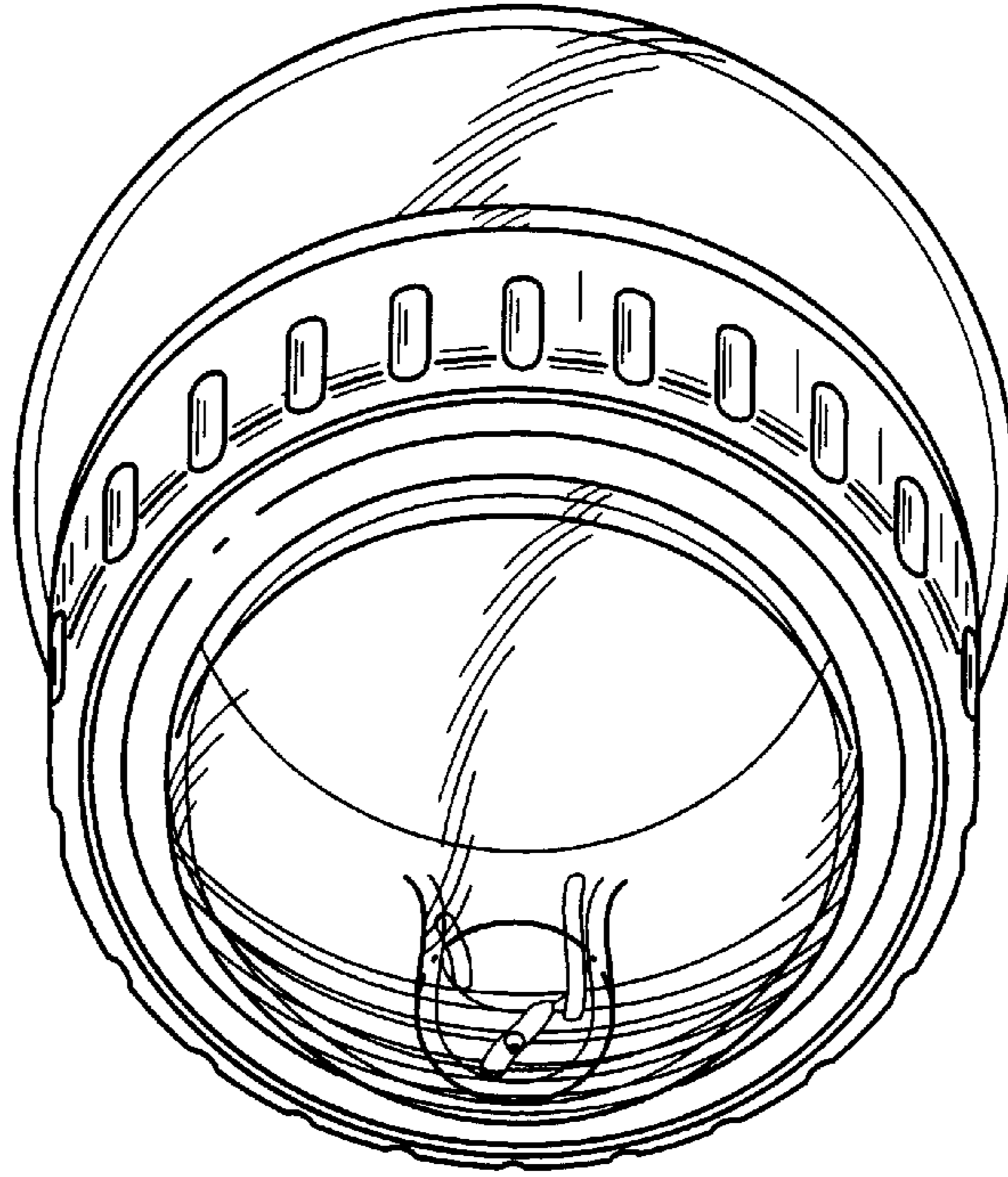


**FIG. 5**

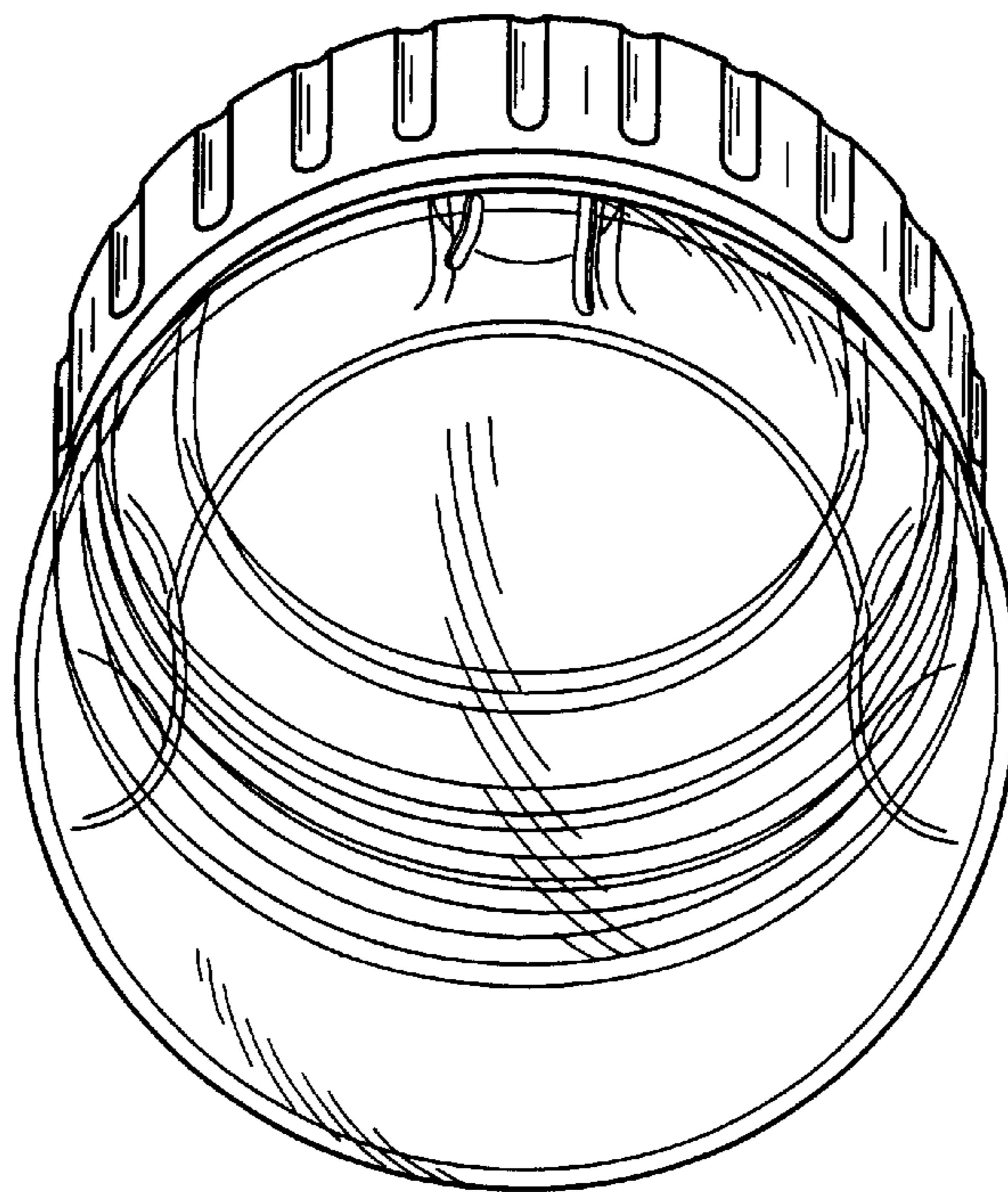


**FIG. 4**

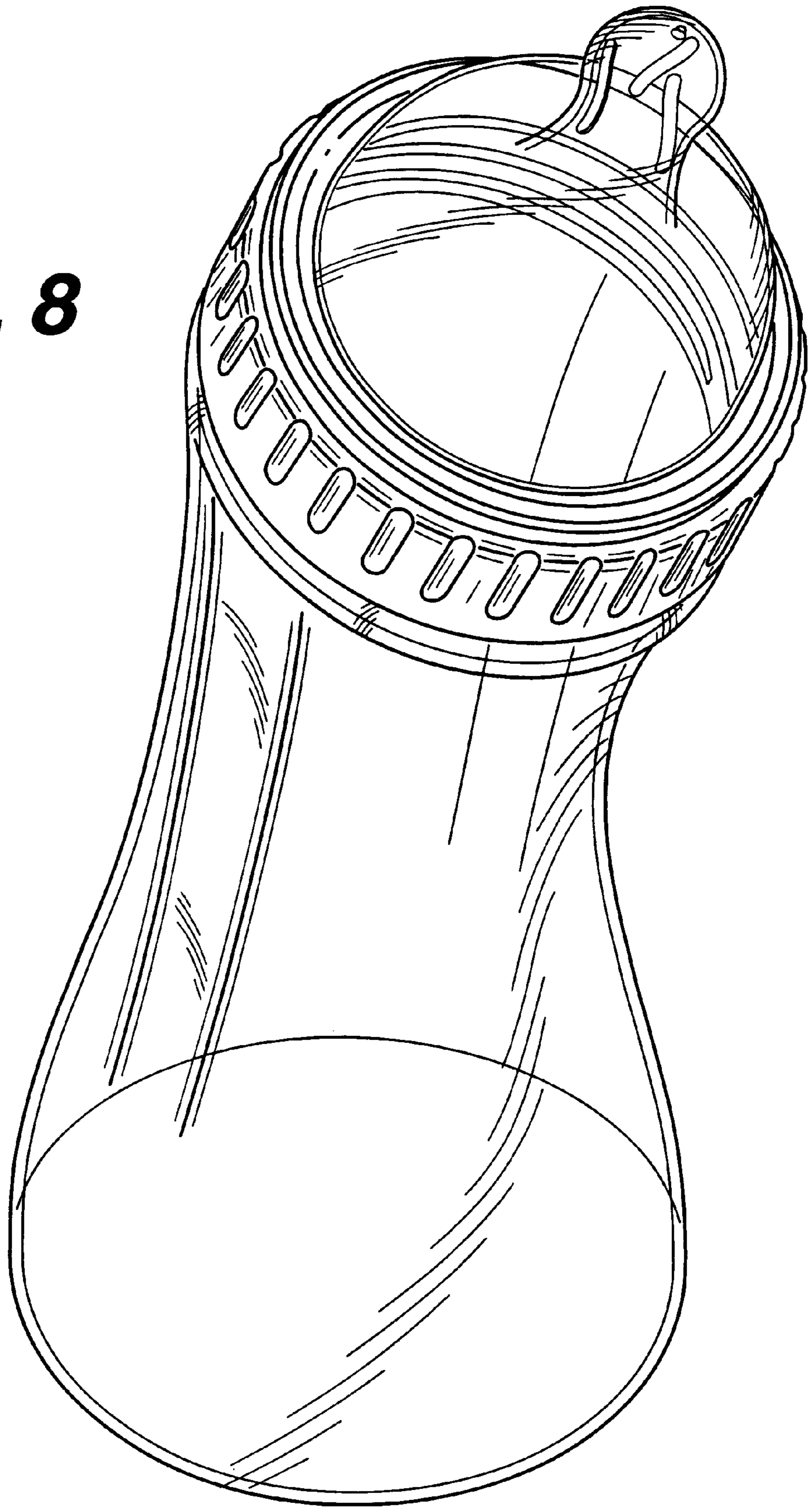
**FIG. 6**



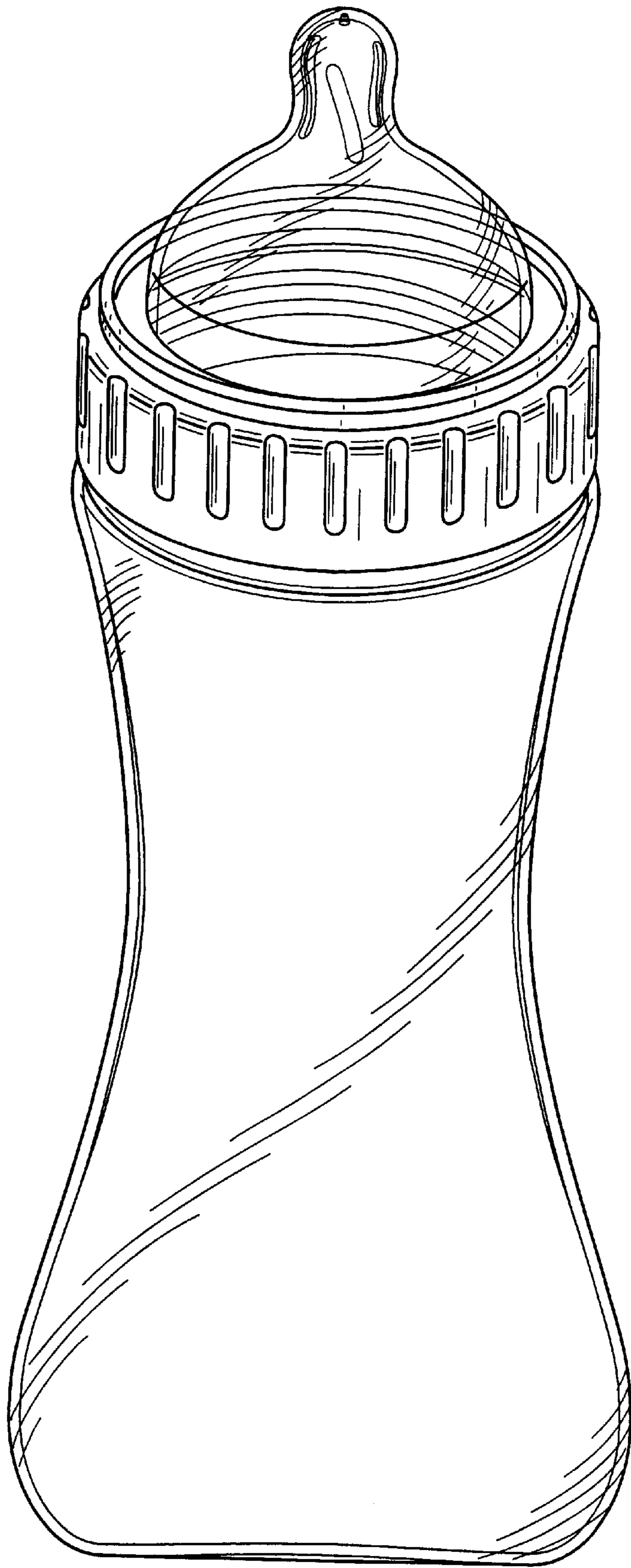
**FIG. 7**



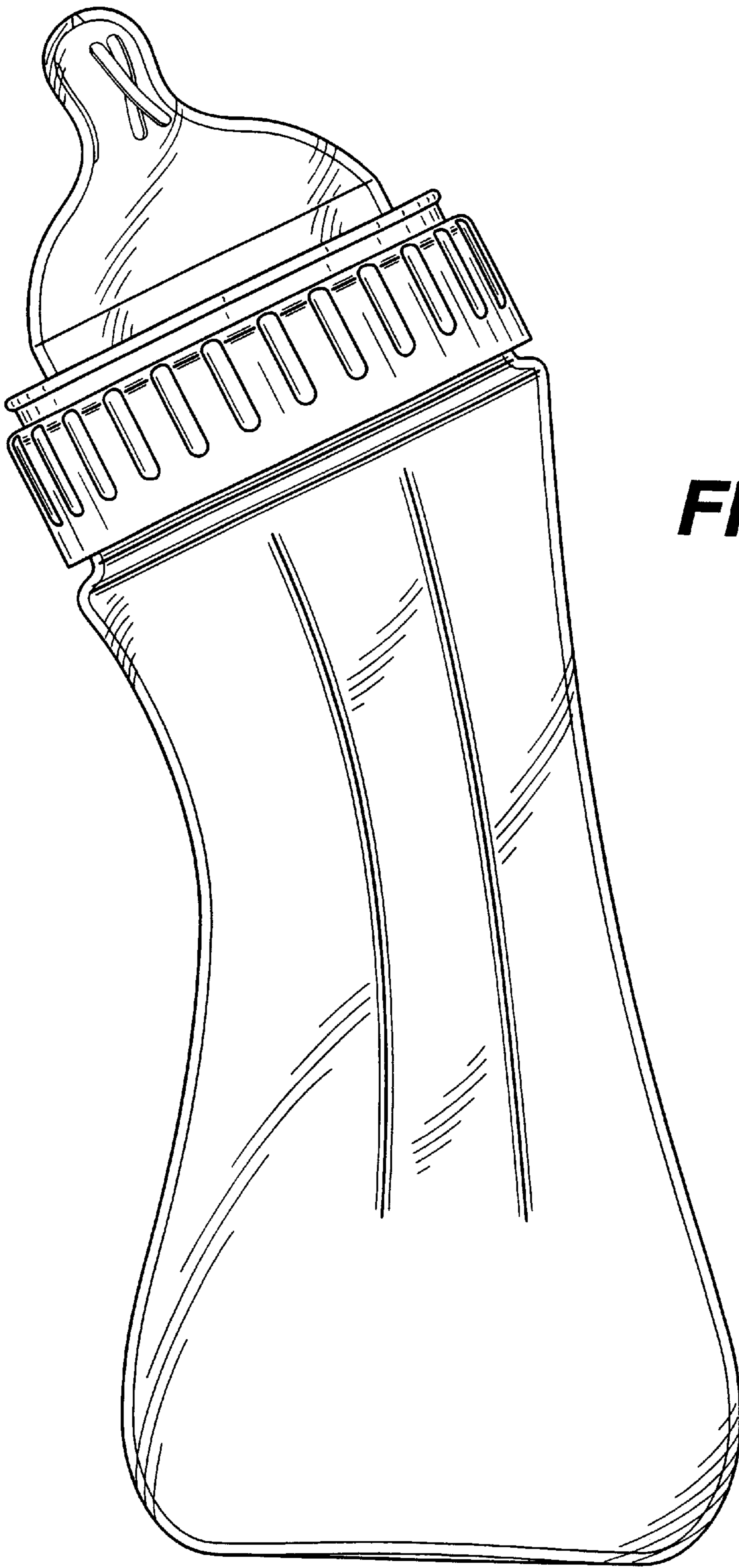
**FIG. 8**







**FIG. 9**



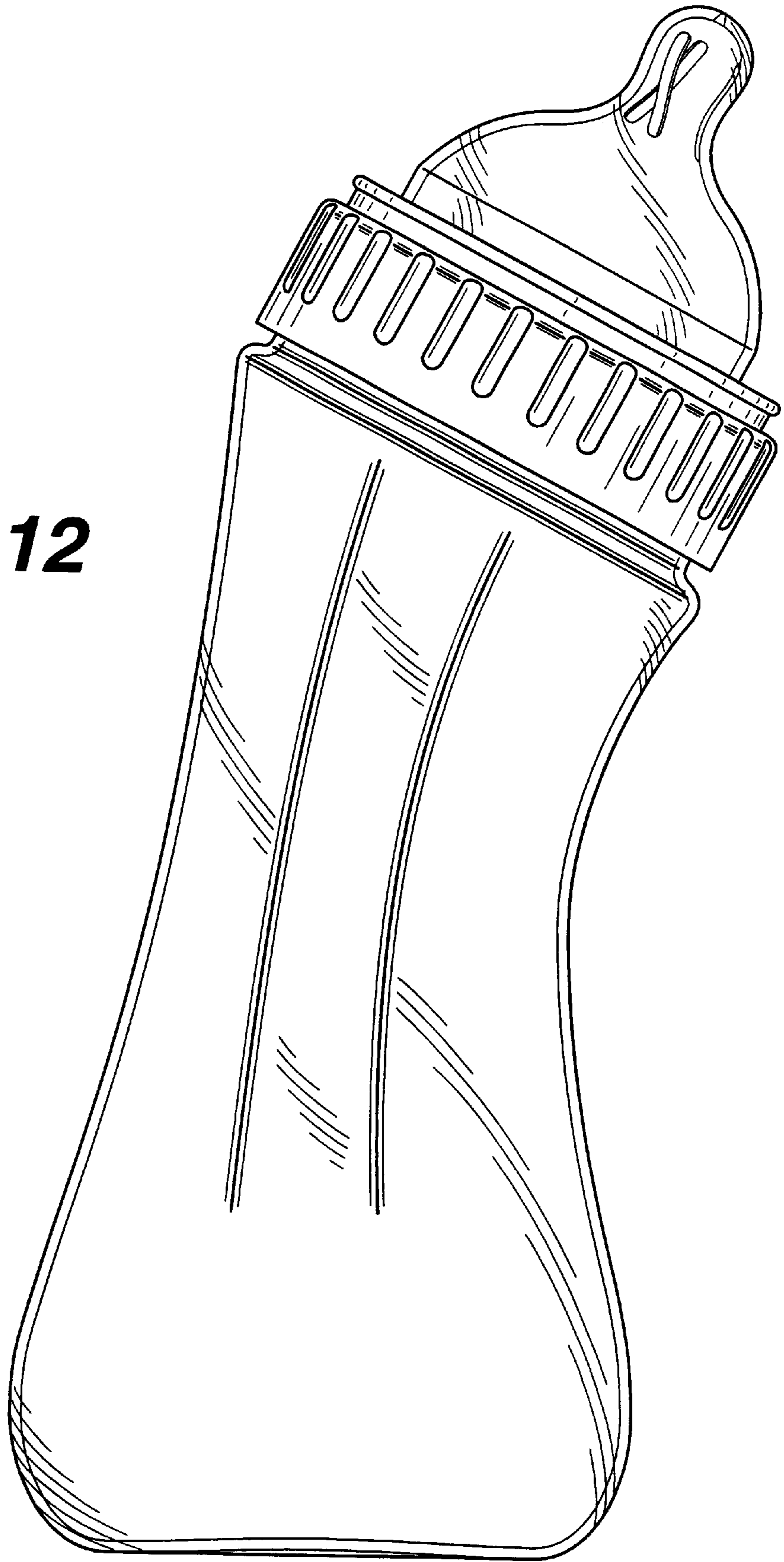
**FIG. 10**



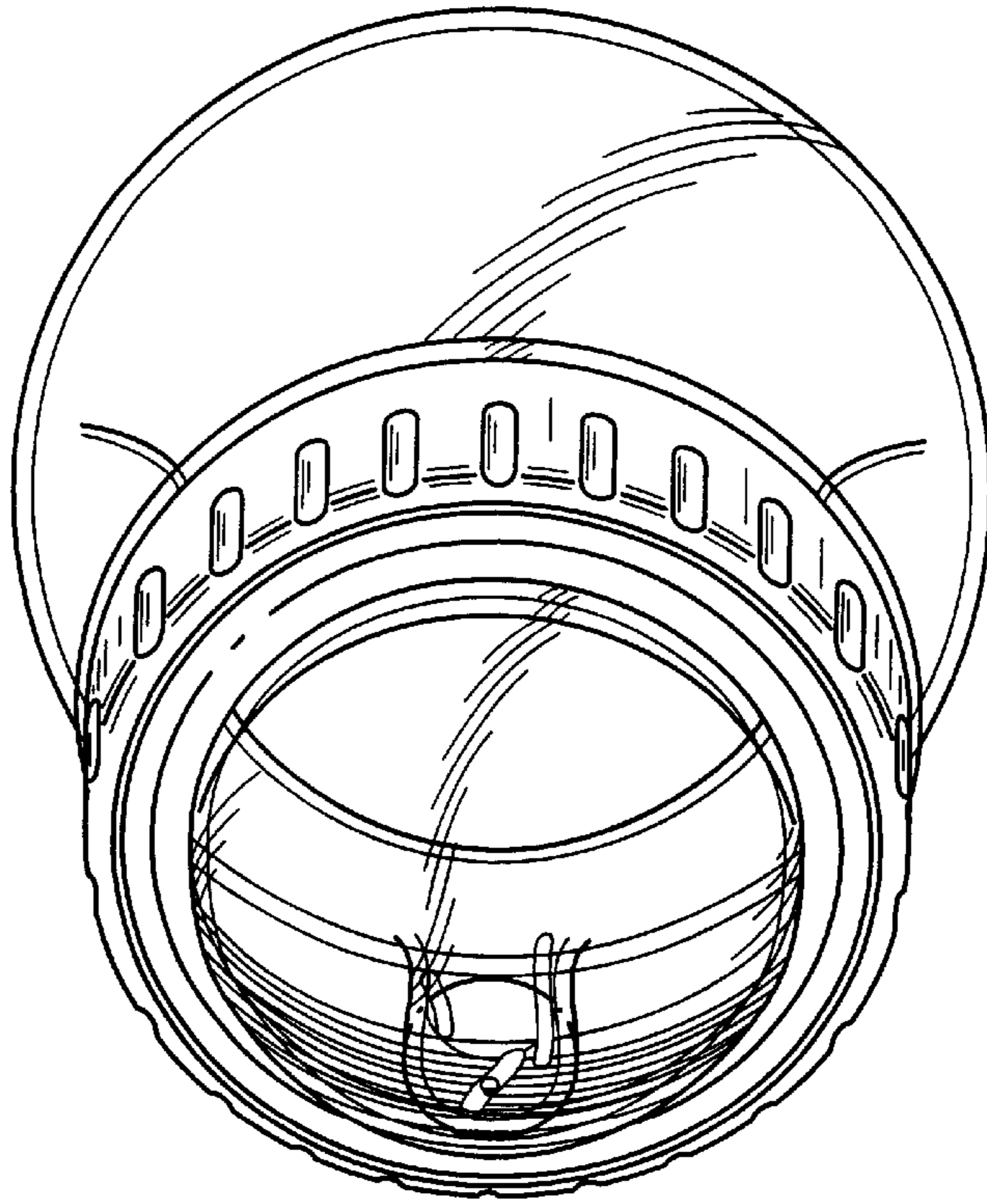
**FIG. 11**



**FIG. 12**



**FIG. 13**



**FIG. 14**

