



US00D464433S

(12) **United States Design Patent**  
**Kiefer et al.**

(10) **Patent No.:** **US D464,433 S**

(45) **Date of Patent:** **\*\* Oct. 15, 2002**

(54) **SPINE BOARD**

(75) Inventors: **Adolph Kiefer**, Wadsworth, IL (US);  
**Shelley Kiefer**, Wadsworth, IL (US);  
**Lawrence D. Newell**, Ashburn, VA (US)

(73) Assignee: **Adolph Kiefer & Associates, Inc.**,  
Zion, IL (US)

(\*\*) Term: **14 Years**

(21) Appl. No.: **29/153,990**

(22) Filed: **Jan. 14, 2002**

(51) **LOC (7) Cl.** ..... **24-04**

(52) **U.S. Cl.** ..... **D24/190**

(58) **Field of Search** ..... D24/190; 128/870,  
128/869, 876; 5/625, 628, 627

5,473,784 A \* 12/1995 Nixon et al. .... 5/625  
5,515,869 A 5/1996 Powell et al.  
5,568,662 A 10/1996 Gougelet  
D387,170 S \* 12/1997 Schuster ..... D24/190  
5,771,513 A 6/1998 Kirchgeorg et al.  
6,223,749 B1 5/2001 Beaty

**OTHER PUBLICATIONS**

Adolph Kiefer & Associates, Inc., Zion, Illinois—p. 15 of undated catalog.

\* cited by examiner

*Primary Examiner*—Stella Reid

(74) *Attorney, Agent, or Firm*—Wood, Phillips, Katz, Clark & Mortimer

(57) **CLAIM**

The ornamental design for a spine board, as shown and described.

(56) **References Cited**

**U.S. PATENT DOCUMENTS**

2,141,100 A 12/1938 Warden  
3,707,734 A 1/1973 Matthews  
4,473,912 A 10/1984 Scheidel et al.  
4,528,981 A 7/1985 Behar  
4,571,757 A 2/1986 Zolecki  
4,895,173 A \* 1/1990 Brault et al. .... 128/870  
D328,351 S \* 7/1992 Ott ..... D24/190  
5,243,639 A 9/1993 Johnson  
D358,652 S \* 5/1995 Pretzer ..... D24/190  
5,414,883 A 5/1995 Fangrow, Jr.  
5,435,323 A 7/1995 Rudy

**DESCRIPTION**

FIG. 1 is a top plan of a spine board showing our new design;  
FIG. 2 is an edge view thereof, as seen from the right edge in FIG. 1; the other edge is a mirror image of the edge shown;  
FIG. 3 is a bottom plan thereof;  
FIG. 4 is an end view thereof, as seen from the upper end in FIG. 1; and,  
FIG. 5 is an end view thereof, as seen from the other end.

**1 Claim, 2 Drawing Sheets**

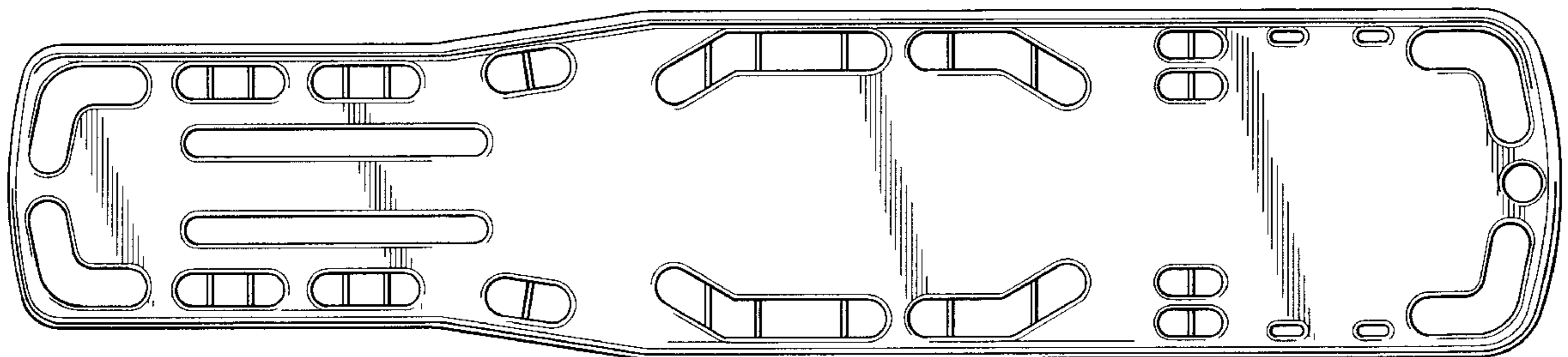


Fig. 1

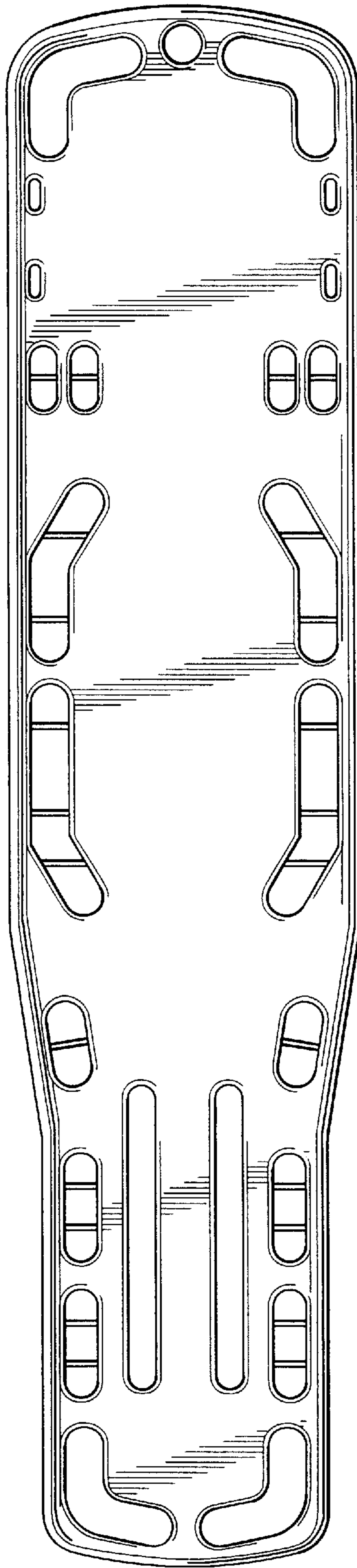


Fig. 2



Fig. 3

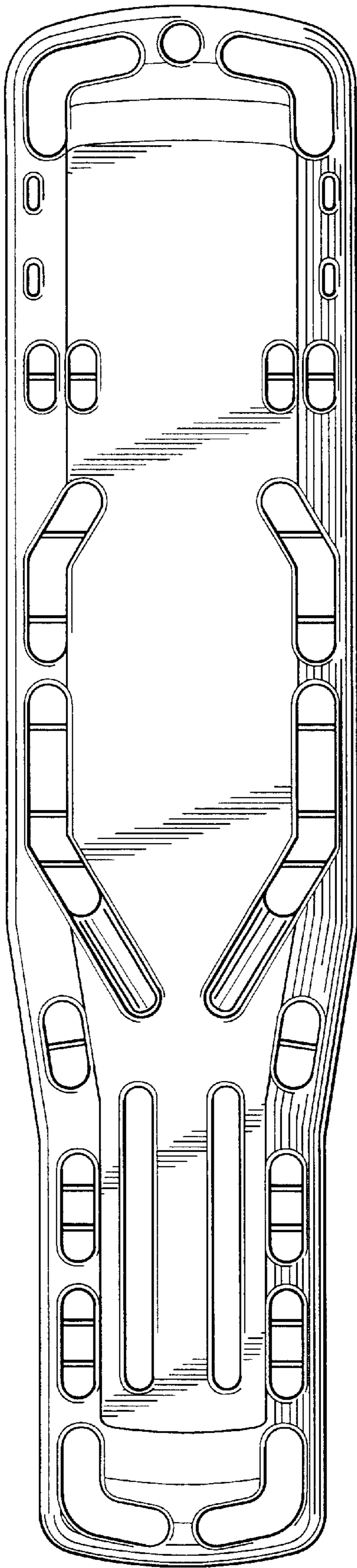


Fig. 5



Fig. 4

