



US00D464431S

(12) **United States Design Patent**  
**Huffman**

(10) **Patent No.: US D464,431 S**

(45) **Date of Patent: \*\* Oct. 15, 2002**

(54) **DENTAL MODEL BASE HAVING A DOUBLE ROW OF APERTURES**

(75) Inventor: **Ronald E. Huffman**, 13664 N. Placinta, Montanas de Oro, Oro Valley, AZ (US) 85737

(73) Assignee: **Ronald E. Huffman**, Oro Valley, AZ (US)

(\*\*) Term: **14 Years**

(21) Appl. No.: **29/148,933**

(22) Filed: **Sep. 28, 2001**

(51) **LOC (7) Cl. .... 24-01**

(52) **U.S. Cl. .... D24/176**

(58) **Field of Search ..... D24/176, 181; 248/124; 269/334; 433/34, 54, 60, 64, 61, 74, 213**

(56) **References Cited**

**U.S. PATENT DOCUMENTS**

921,791	5/1909	Benson
967,086	8/1910	Tuttle
1,013,028	12/1911	Lee
1,745,570	2/1930	Dimelow
1,772,027	8/1930	Baumgarten
1,780,117	10/1930	Craigo
2,031,996	2/1936	Zelesnick
2,398,671	4/1946	Saffir
2,585,857	2/1952	Schwartz
2,842,845	7/1958	Carlson
3,453,736	7/1969	Waltke
3,478,428	11/1969	Stengel
3,518,761	7/1970	Susman et al.
3,581,398	6/1971	Thomas
3,934,348	1/1976	Janjic
3,937,773	2/1976	Huffman
3,969,820	7/1976	Kulig et al.
4,021,916	5/1977	Spalten
4,022,419	5/1977	Haker
4,116,416	9/1978	Segura
4,122,606	10/1978	Roman
4,127,939	12/1978	Samuel et al.

4,203,219	5/1980	Wiener
4,240,605	12/1980	Waltke
4,242,812	1/1981	Randoll et al.
4,265,619	5/1981	Lucki et al.
4,283,173	8/1981	Browne et al.
4,301,357	11/1981	Huffman
4,359,464	11/1982	Weinstock
4,371,339	2/1983	Zeiser
4,378,929	4/1983	Huffman
4,382,787	5/1983	Huffman
4,398,884	8/1983	Huffman
4,439,151	3/1984	Whelan
4,443,192	4/1984	Blitz
4,449,930	5/1984	Huffman

(List continued on next page.)

**FOREIGN PATENT DOCUMENTS**

DE	3 436 094 A1	10/1984
DE	3 505 680 A1	7/1985
DE	3 521 137 A1	12/1986
DE	3 825 014 A1	1/1990
EP	0 210 484 A2	2/1985
EP	0 151 086 A2	8/1985
EP	0 277 026 A2	8/1988
EP	0 291 821 A1	11/1988
EP	0 528 335 A1	2/1993
FR	2 750 851 A1	1/1998
GB	866118	4/1961
GB	886118	1/1962
WO	WO 88/10101	12/1988

*Primary Examiner*—Antoine Duval Davis

(74) *Attorney, Agent, or Firm*—Merchant & Gould P.C.

(57) **CLAIM**

The ornamental design for dental model base having a double row of apertures, as shown and described.

**DESCRIPTION**

FIG. 1 is a perspective view of the present invention.

FIG. 2 is a top plan view thereof.

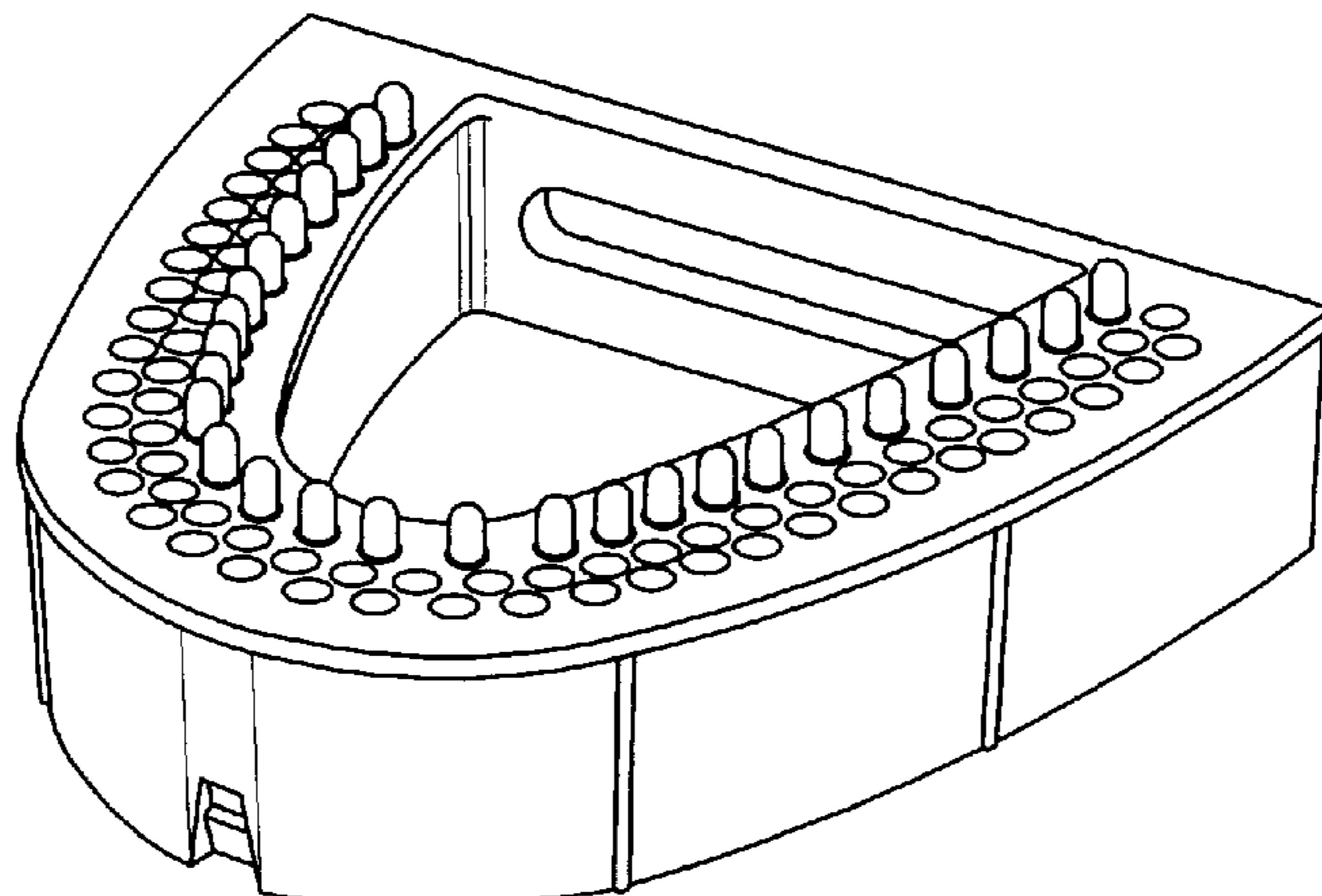
FIG. 3 is a bottom plan view thereof.

FIG. 4 is a side view thereof.

FIG. 5 is a front elevation view thereof; and,

FIG. 6 is a rear elevation view thereof.

**1 Claim, 2 Drawing Sheets**



# US D464,431 S

U.S. PATENT DOCUMENTS					
4,449,931	5/1984	Saito	D305,362	1/1990	Huffman
4,459,110	7/1984	Jackson	D306,206	2/1990	Huffman
4,473,353	9/1984	Greggs	4,898,359	2/1990	Gopon
4,481,162	11/1984	Huffman	RE33,271	7/1990	Shoher et al.
4,494,934	1/1985	Huffman	4,940,409	7/1990	Nordin
4,521,188	6/1985	Metzler	4,980,124	12/1990	Dimmer
4,533,323	8/1985	Huffman	5,028,235	7/1991	Smith
4,538,987	9/1985	Weissman	5,049,075	9/1991	Barrut
4,548,581	10/1985	Huffman	5,076,789	12/1991	Tanaka
D283,541	4/1986	Huffman	5,098,290	3/1992	Honstein et al.
D283,542	4/1986	Huffman	5,197,874	3/1993	Silva et al.
D283,639	4/1986	Huffman	5,207,574	5/1993	Garland
D283,730	5/1986	Huffman	5,352,117	10/1994	Silva
4,608,016	8/1986	Zeiser	5,393,227	2/1995	Nooning
D286,179	10/1986	Huffman	5,466,152	11/1995	Walter
D286,436	10/1986	Huffman	5,470,231	11/1995	Stern
4,645,454	2/1987	Amdur et al.	5,501,600	3/1996	Johnson
D289,924	5/1987	Huffman	5,766,007	6/1998	Huffman
4,671,770	6/1987	Bell et al.	5,769,634	6/1998	Choi
4,708,648	11/1987	Weissman	5,775,899	7/1998	Huffman
4,708,835	11/1987	Kiefer	5,788,489	8/1998	Huffman
4,721,464	1/1988	Roden et al.	5,788,490	8/1998	Huffman
4,734,033	3/1988	Huffman	5,800,166	9/1998	Huffman
4,767,330	8/1988	Burger	5,807,099	9/1998	Johnson
4,767,331	8/1988	Hoe	5,868,569	2/1999	Huffman
4,834,651	5/1989	Fenick	5,934,901	8/1999	Huffman
4,842,242	6/1989	Huffman	D429,815	8/2000	Huffman
D302,456	7/1989	Huffman	6,106,284	* 8/2000	Cronin et al. .... 433/34
D302,587	8/1989	Huffman	D430,672	9/2000	Huffman
D302,724	8/1989	Huffman	D433,136	10/2000	Huffman
D302,725	8/1989	Huffman	D433,754	11/2000	Huffman
RE33,099	10/1989	Shoher et al.	D443,363	6/2001	Huffman
D305,361	1/1990	Huffman	D444,559	7/2001	Huffman

\* cited by examiner

FIG. 1

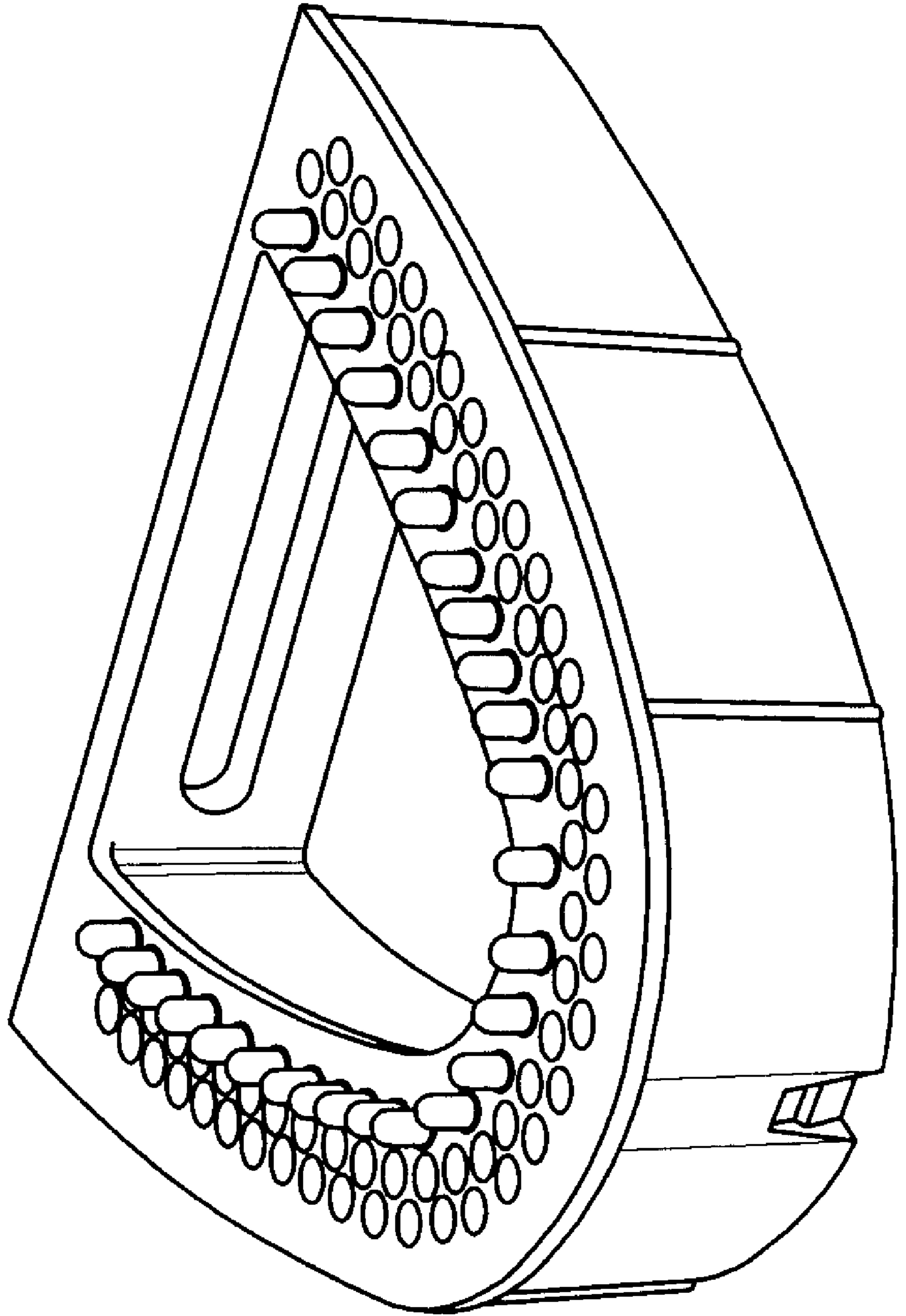


FIG. 2

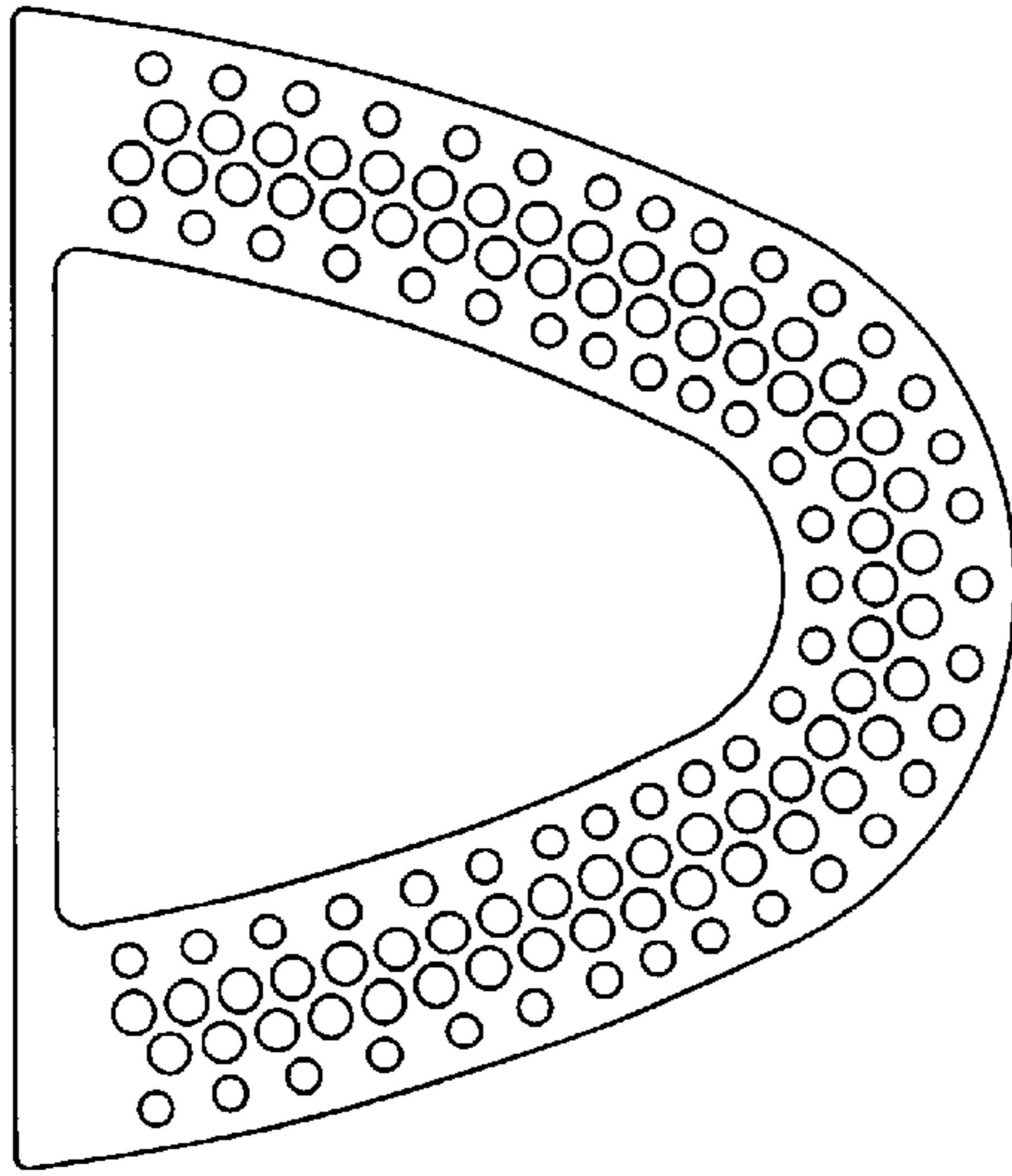


FIG. 3

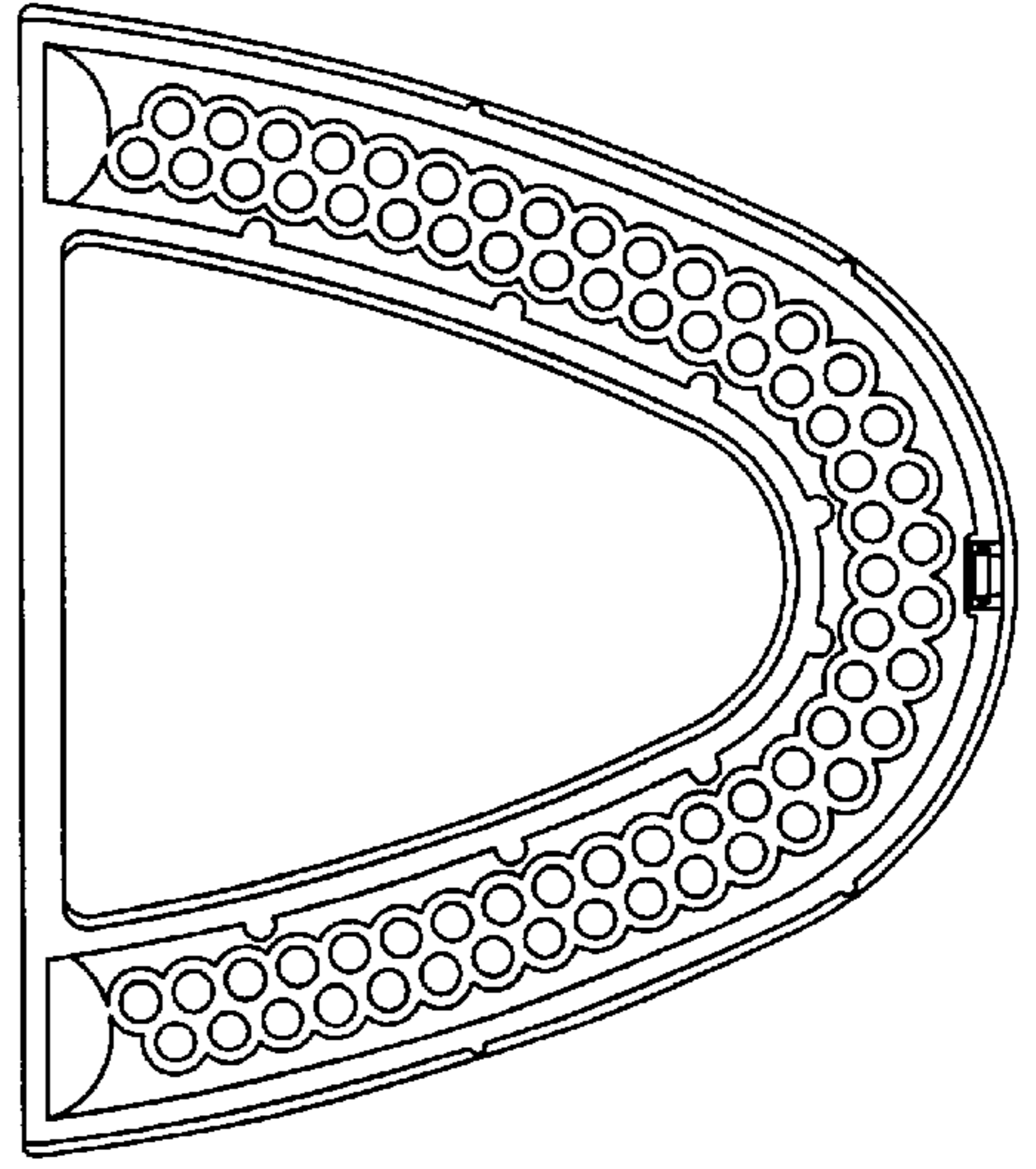


FIG. 4

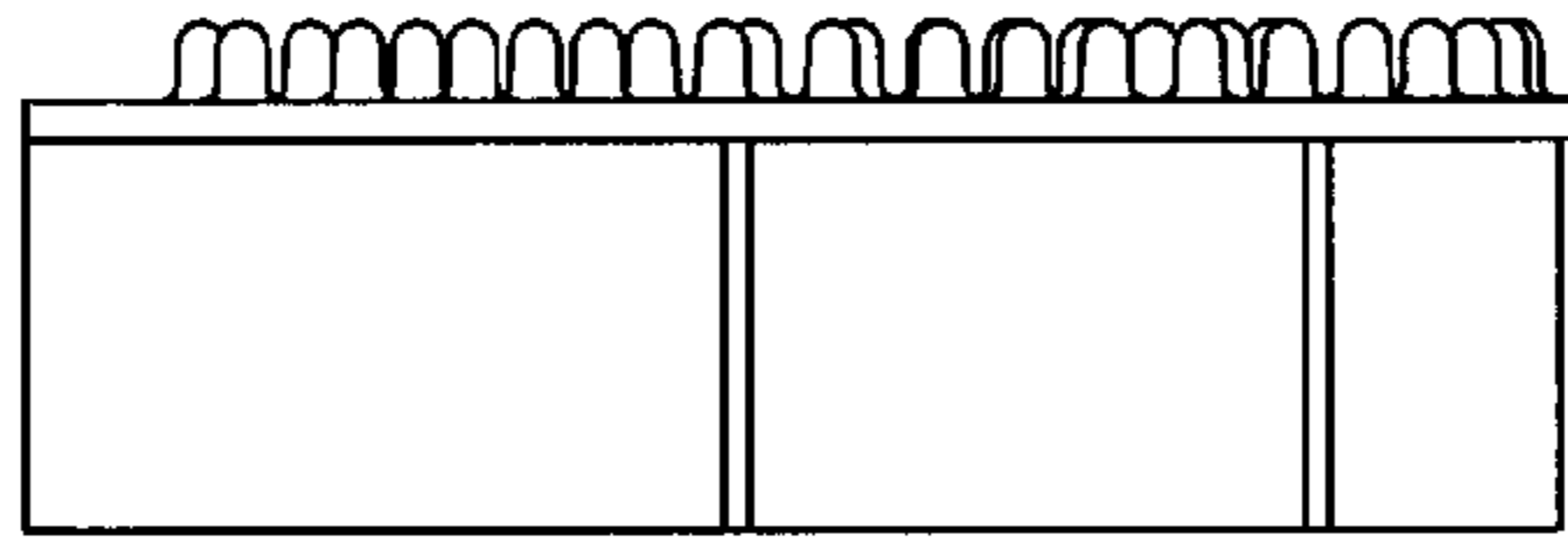


FIG. 5

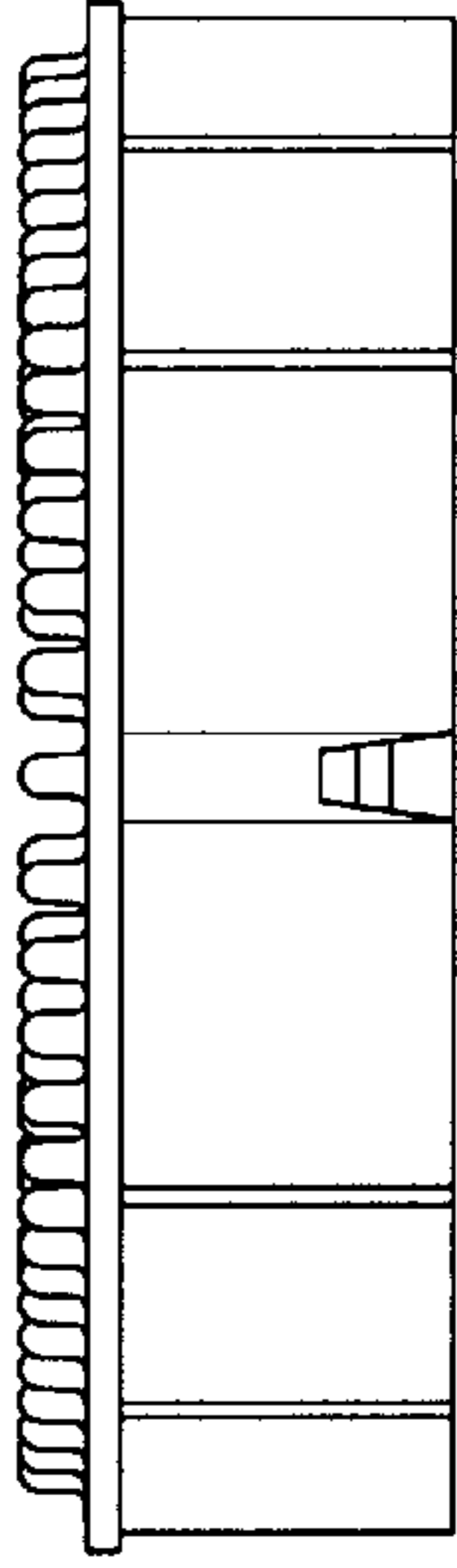


FIG. 6

