



US00D464428S

(12) **United States Design Patent** (10) **Patent No.:** **US D464,428 S**  
**Barnett et al.** (45) **Date of Patent:** **\*\* Oct. 15, 2002**

(54) **NASAL MASK CUSHION**  
(75) Inventors: **Shari S. Barnett**, Cardiff, CA (US);  
**Joseph M. Miceli**, Pittsburgh, PA (US);  
**Peter Chi Fai Ho**, Pittsburgh, PA (US);  
**Kristine K. Sabo**, New Kensington, PA (US)  
(73) Assignee: **Respironics, Inc.**, Murrysville, PA (US)  
(\*\*) Term: **14 Years**  
(21) Appl. No.: **29/142,449**  
(22) Filed: **May 25, 2001**

**Related U.S. Application Data**

(63) Continuation-in-part of application No. 29/109,078, filed on Aug. 10, 1999, now Pat. No. Des. 448,473.  
(51) **LOC (7) Cl.** ..... **29-02**  
(52) **U.S. Cl.** ..... **D24/110.4; D24/110.1**  
(58) **Field of Search** ..... D24/110, 110.4, D24/110.5, 210.1; 124/206.24, 206.21, 205.25, 205.12; 128/206.26, 203.29, 205.23, 207.13, 204.12, 206.18, 206.19

(56) **References Cited**

**U.S. PATENT DOCUMENTS**

2,011,733 A 8/1935 Shindel  
2,104,016 A 1/1938 Biggs  
2,254,854 A 9/1941 O'Connell  
2,317,608 A 4/1943 Heidbrink  
2,749,910 A 6/1956 Faulconer, Jr.  
2,931,356 A 4/1960 Schwarz  
2,939,458 A 6/1960 Lindquist  
3,330,273 A 7/1967 Bennett  
4,167,185 A 9/1979 Lewis  
4,655,213 A 4/1987 Rapoport et al.  
4,677,977 A 7/1987 Wilcox  
4,739,755 A 4/1988 White et al.  
4,807,617 A 2/1989 Nesti  
4,809,692 A \* 3/1989 Nowacki et al. .... 128/205.23  
4,907,584 A 3/1990 McGinnis  
4,944,310 A 7/1990 Sullivan

D333,015 S 2/1993 Farmer et al.  
5,243,971 A 9/1993 Sullivan et al.  
D349,586 S 8/1994 Handke  
5,492,116 A 2/1996 Scarberry et al.  
5,540,223 A \* 7/1996 Starr et al. .... 128/205.25  
5,542,128 A 8/1996 Lomas  
5,560,354 A 10/1996 Berthon-Jones et al.  
5,647,357 A 7/1997 Barnett et al.  
5,657,752 A 8/1997 Landis et al.  
5,662,101 A 9/1997 Ogden et al.  
5,676,133 A \* 10/1997 Hickle et al. .... 128/205.12  
D389,238 S 1/1998 Kirk, III et al.  
5,724,965 A 3/1998 Handke et al.  
5,746,201 A 5/1998 Kidd  
5,884,624 A \* 3/1999 Barnett et al. .... 128/206.24  
D412,745 S 8/1999 Scheu  
5,937,851 A 8/1999 Serowski et al.  
6,035,852 A \* 3/2000 Hoftman ..... 128/206.26  
D431,077 S \* 9/2000 McGinnis et al. .... D24/110.4  
6,112,745 A 9/2000 Lang  
6,112,746 A 9/2000 Kwok et al.  
D434,141 S \* 11/2000 Randeberg et al. .... D24/110.4  
6,182,660 B1 \* 2/2001 Hopper ..... 128/207.13  
6,357,441 B1 \* 3/2002 Kwok et al. .... 128/207.13

**FOREIGN PATENT DOCUMENTS**

WO WO 98/04310 2/1998

\* cited by examiner

*Primary Examiner*—Ian Simmons

(74) *Attorney, Agent, or Firm*—Michael W. Haas

(57) **CLAIM**

The ornamental design for a nasal mask cushion, as shown and described.

**DESCRIPTION**

FIG. 1 is a perspective view of a nasal mask cushion showing our new design.

FIG. 2 is an additional perspective view of the nasal mask cushion in accordance with our new design.

FIG. 3 is a front view of the nasal mask cushion shown in FIG. 1.

FIG. 4 is a side view of the nasal mask cushion shown in FIG. 1. The opposite side is similar and not separately illustrated herein.

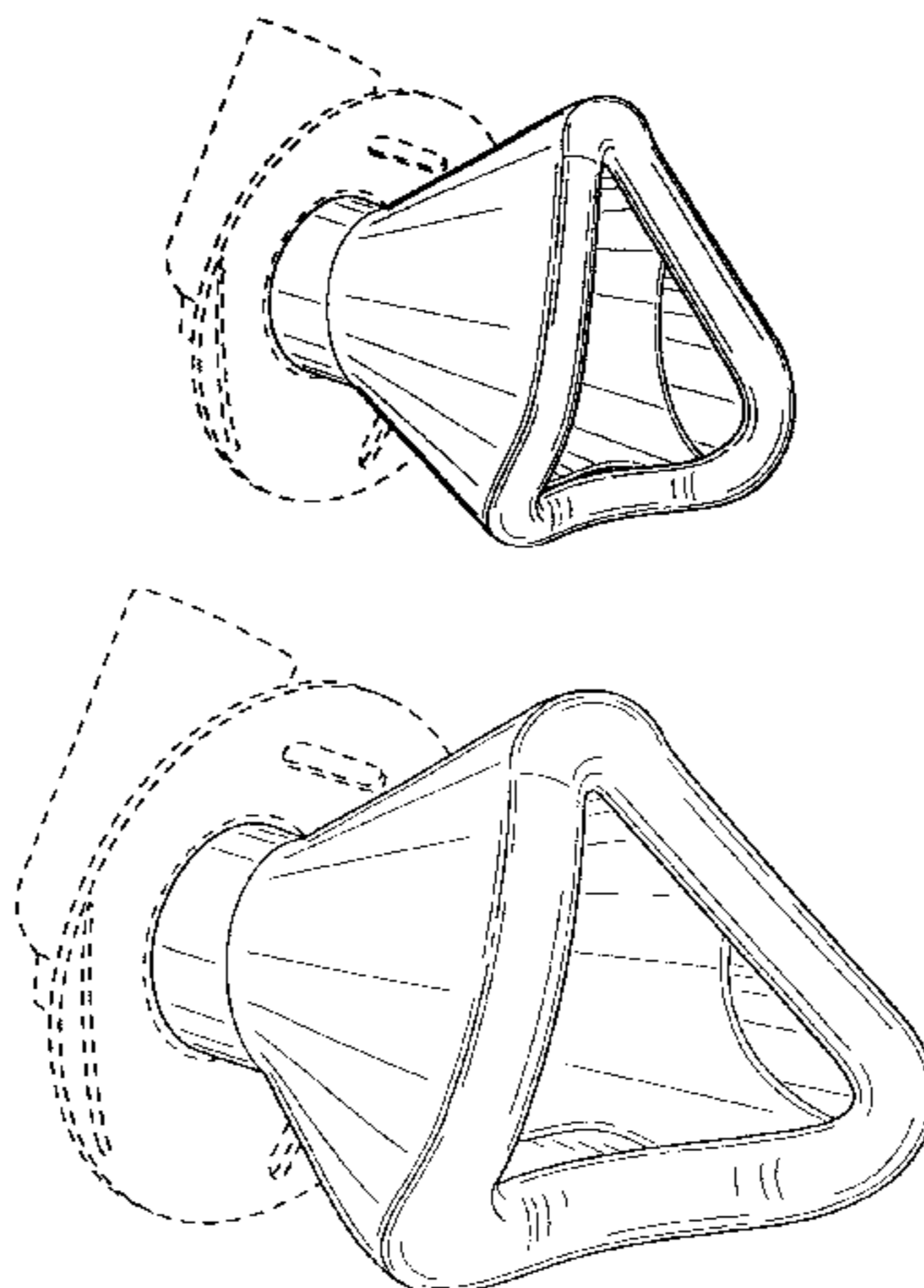


FIG. 5 is a back view of the nasal mask cushion shown in FIG. 1.

FIG. 6 is a top view of the nasal mask cushion shown in FIG. 1.

FIG. 7 is a bottom view of the nasal mask cushion shown in FIG. 1.

FIG. 8 is a perspective view of another embodiment of a nasal mask cushion in accordance with our new design.

FIG. 9 is an additional perspective view of the nasal mask cushion in accordance with our new design.

FIG. 10 is a front view of the nasal mask cushion shown in FIG. 8.

FIG. 11 is a side view of the nasal mask cushion shown in FIG. 8. The opposite side is similar and not separately illustrated herein.

FIG. 12 is a back view of the nasal mask cushion shown in FIG. 8.

FIG. 13 is a top view of the nasal mask cushion shown in FIG. 8.

FIG. 14 is a bottom view of the nasal mask cushion shown in FIG. 8.

FIG. 15 is an additional perspective view of the nasal mask cushion shown in FIG. 8.

FIG. 16 is an additional perspective view of the nasal mask cushion shown in FIG. 8.

FIG. 17 is an additional perspective view of the nasal mask cushion shown in FIG. 8.

FIG. 18 is a perspective view of a second embodiment of a nasal mask cushion showing our new design.

FIG. 19 is an additional perspective view of the nasal mask cushion showing our new design.

FIG. 20 is a front side view of the nasal mask cushion shown in FIG. 18.

FIG. 21 is a side view of the nasal mask cushion shown in FIG. 18 the opposite side view being similar thereto.

FIG. 22 is a rear side view of the nasal mask cushion shown in FIG. 18.

FIG. 23 is a top side view of the nasal mask cushion shown in FIG. 18.

FIG. 24 is a bottom side view of the nasal mask cushion shown in FIG. 18.

FIG. 25 perspective view of the nasal mask cushion showing our new design.

FIG. 26 is an additional perspective view of the nasal mask cushion showing our new design.

FIG. 27 is a front side view of the nasal mask cushion shown in FIG. 25.

FIG. 28 is a side view of the nasal mask cushion shown in FIG. 25 the opposite side view being similar thereto.

FIG. 29 is a rear side view of the nasal mask cushion shown in FIG. 25.

FIG. 30 is a top side view of the nasal mask cushion shown in FIG. 25.

FIG. 31 is a bottom side view of the nasal mask cushion shown in FIG. 25.

FIG. 32 is an additional perspective view of the nasal mask cushion shown in FIG. 25.

FIG. 33 is an additional perspective view of the nasal mask cushion shown in FIG. 25; and,

FIG. 34 is an additional perspective view of the nasal mask cushion shown in FIG. 25.

The broken line showing is for illustrative purposes only and forms no part of the claimed design.

**1 Claim, 18 Drawing Sheets**

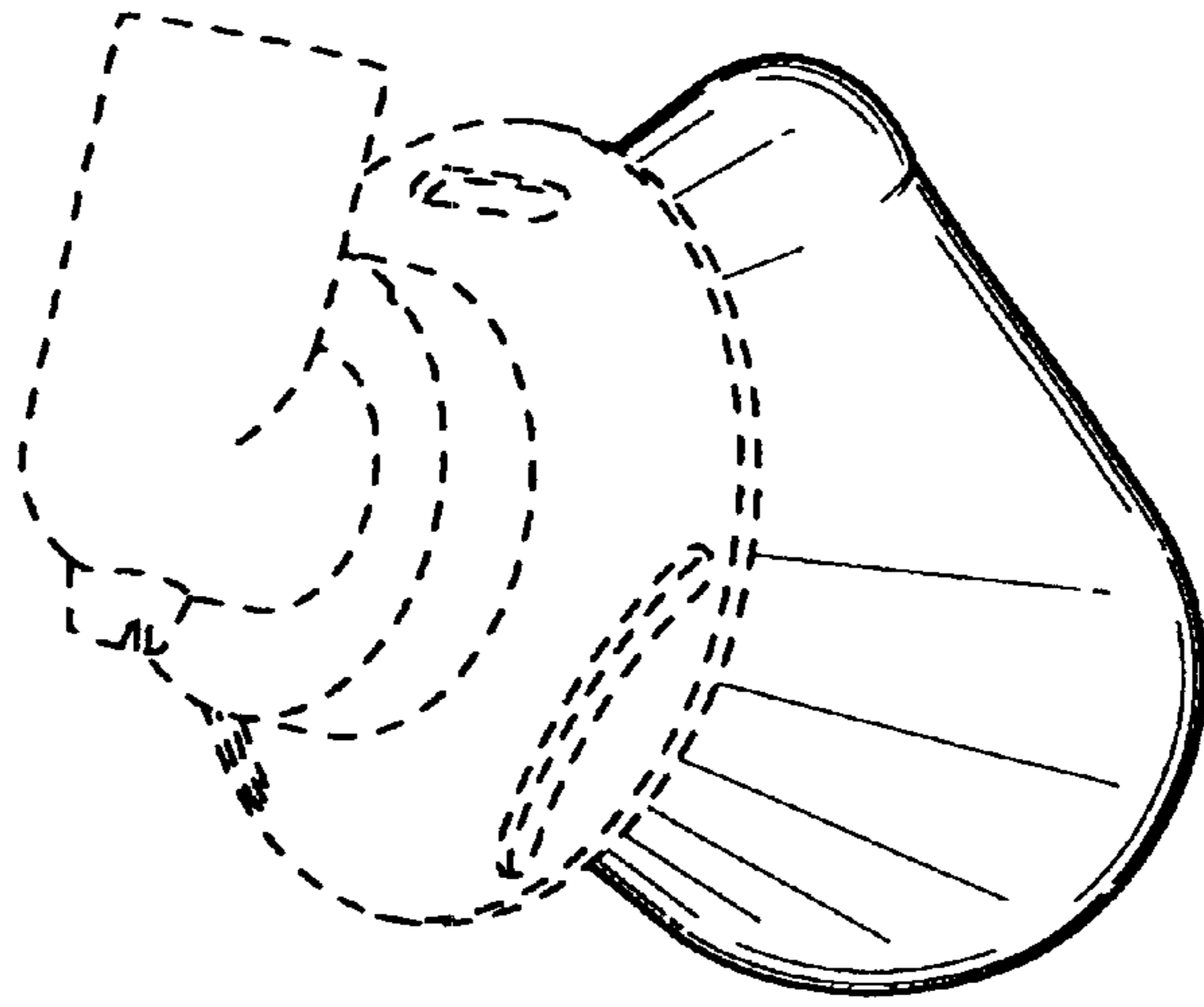


FIG. 1

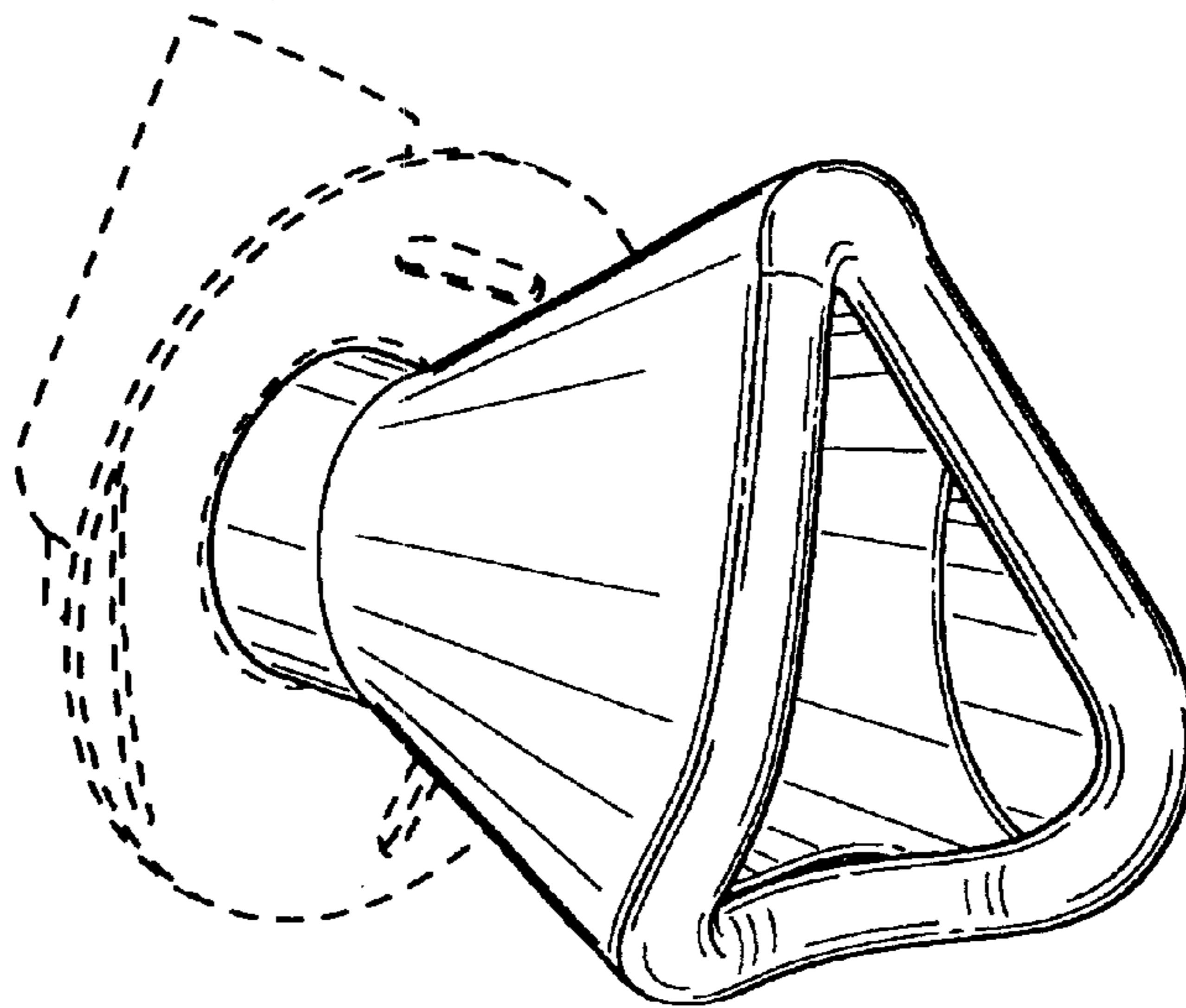


FIG. 2

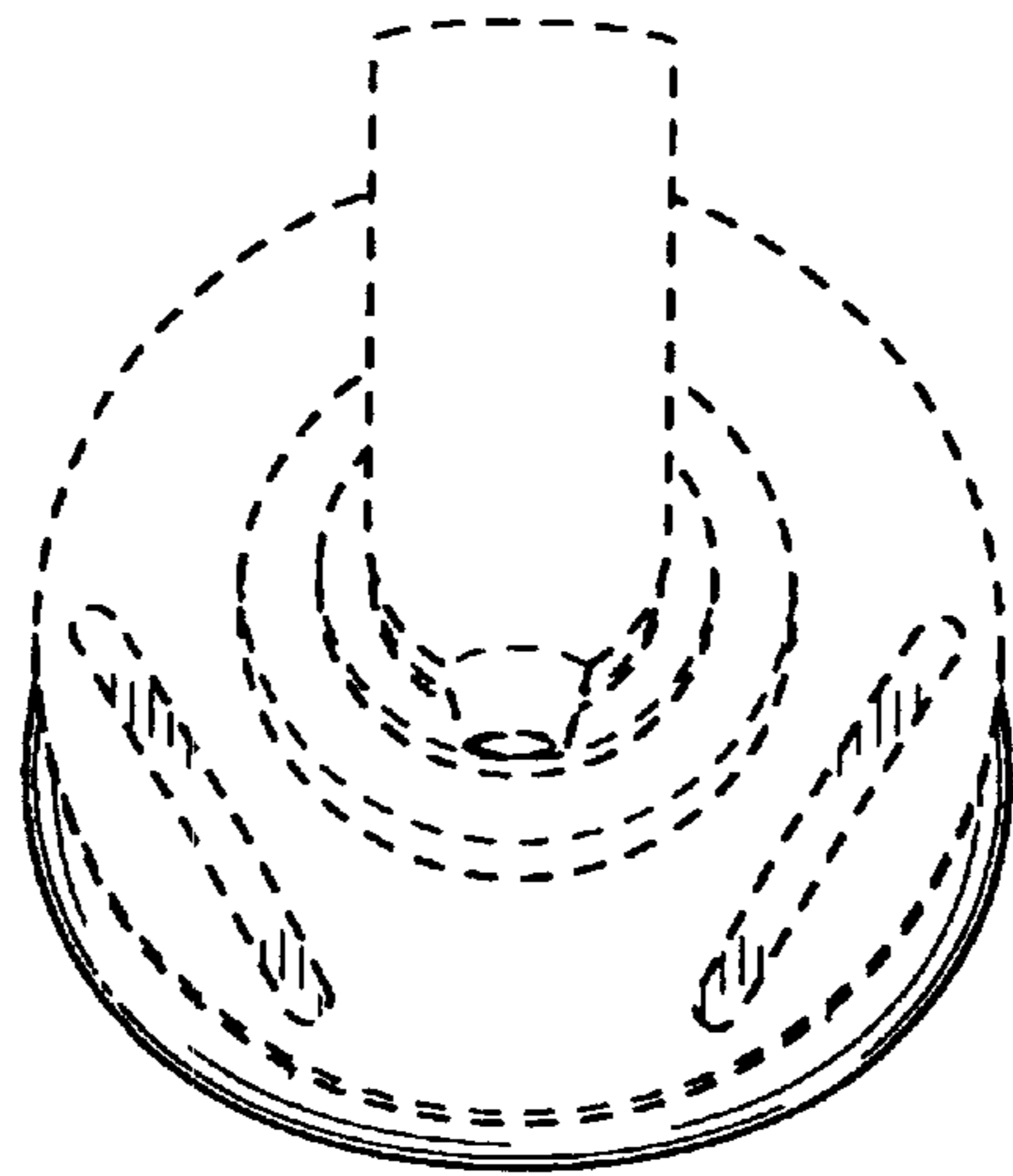


FIG. 3

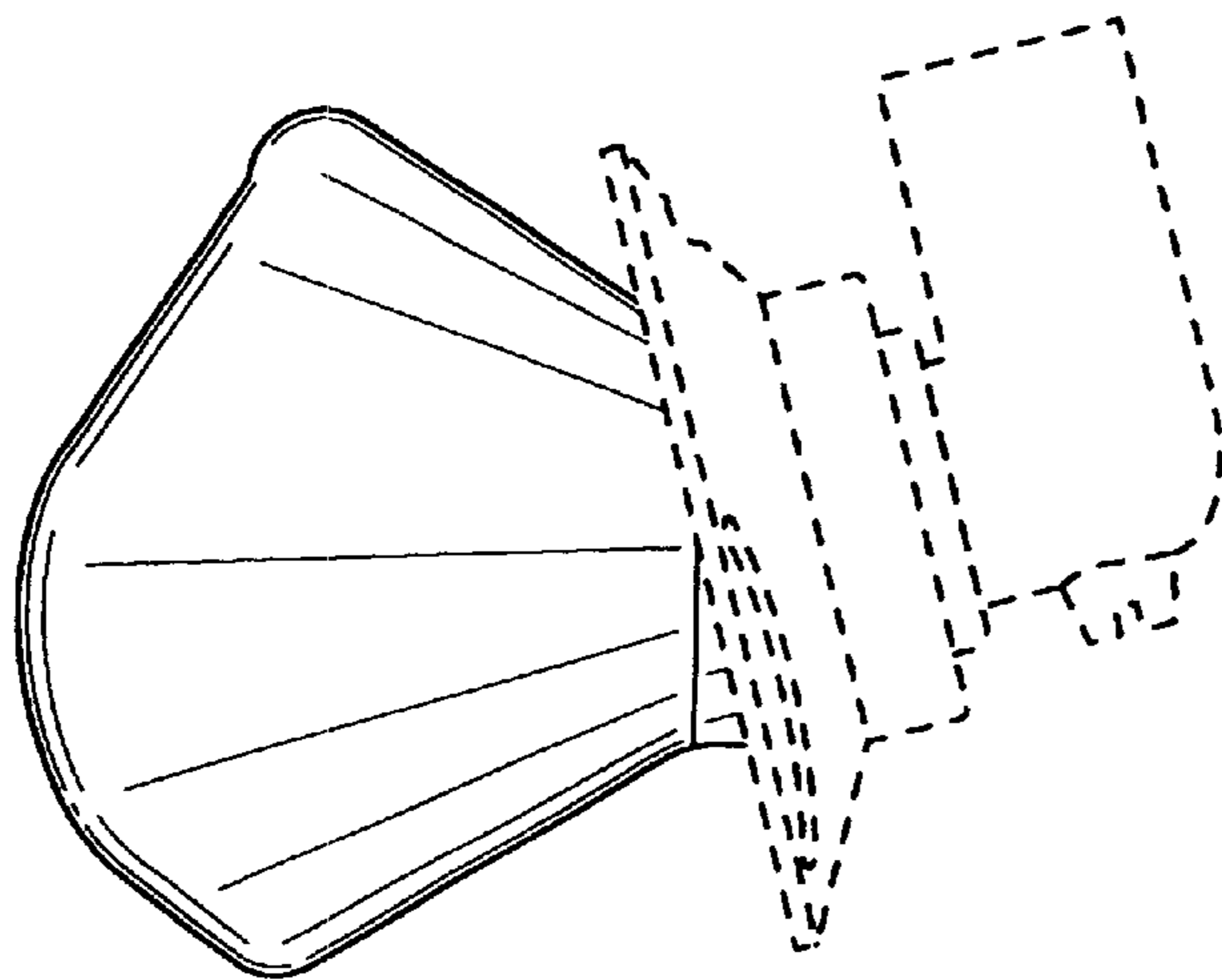


FIG. 4

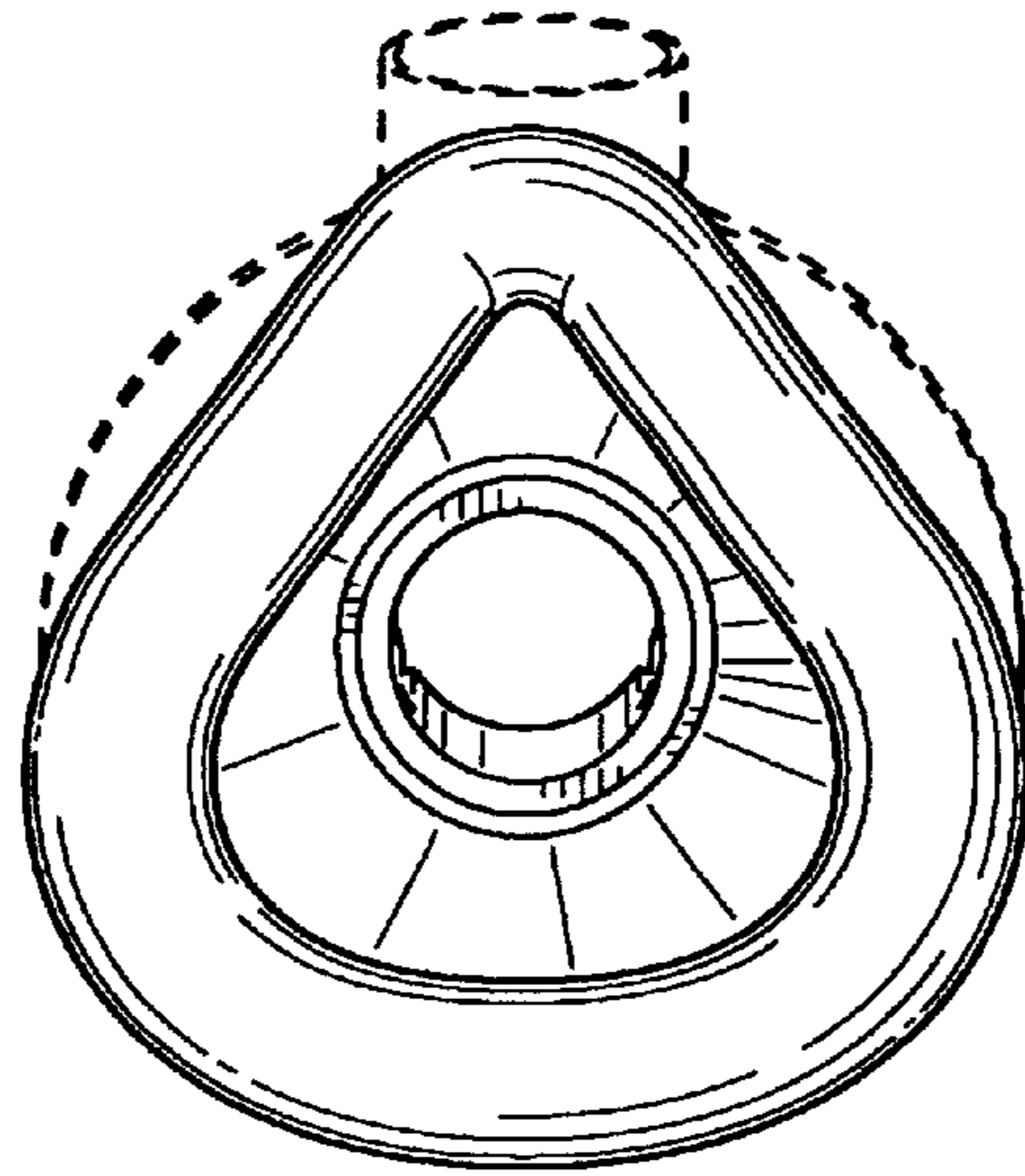


FIG. 5

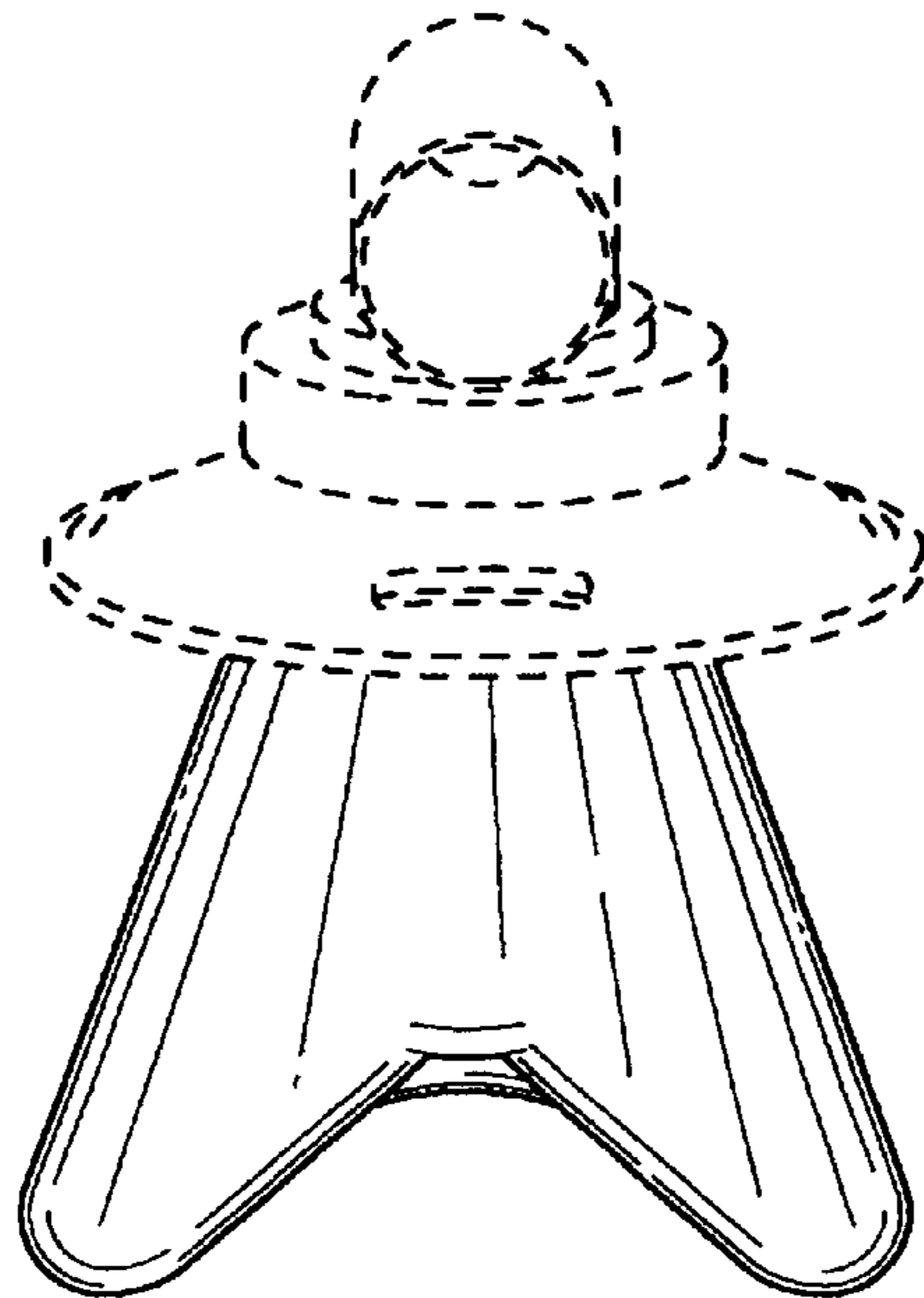


FIG. 6

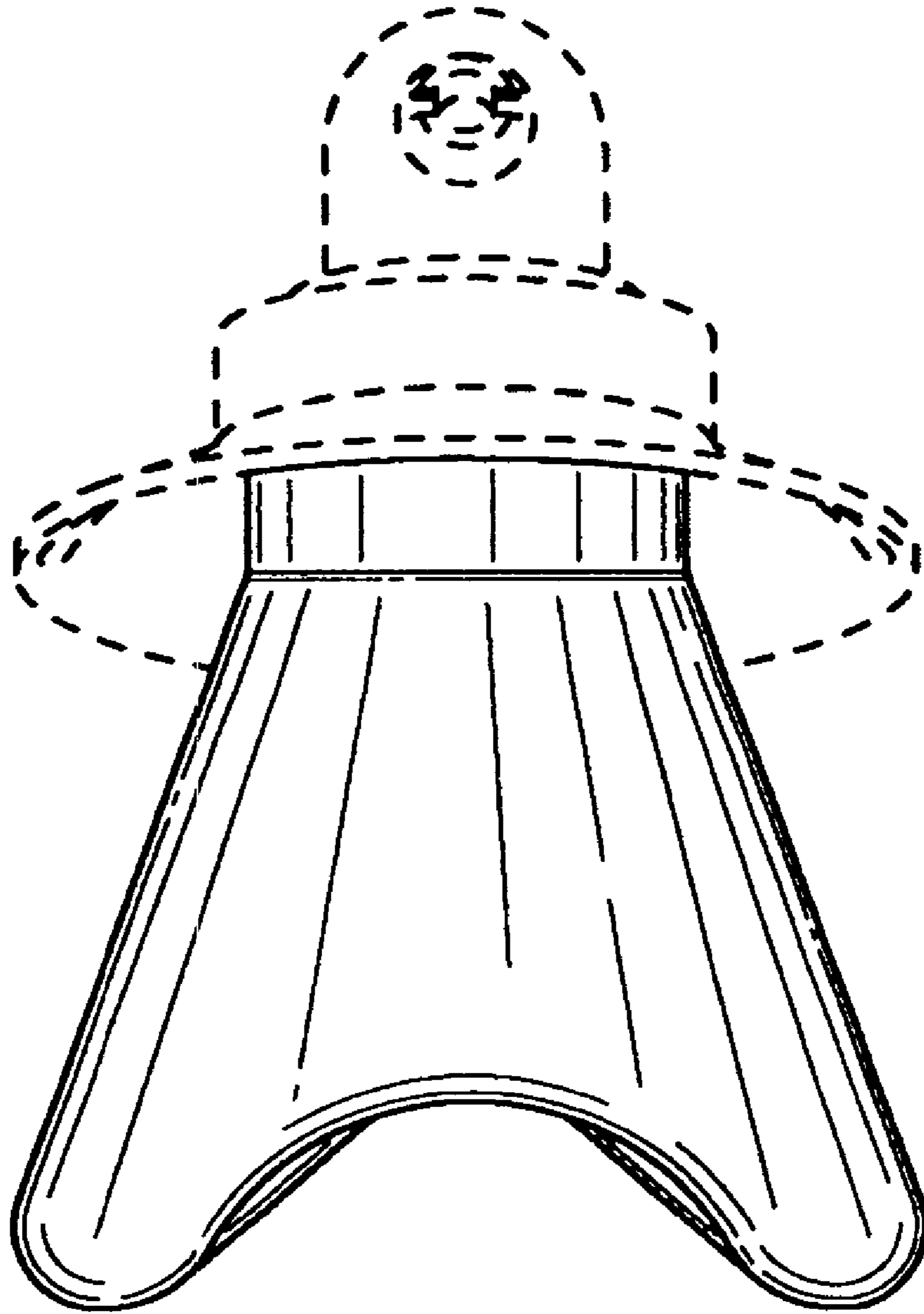


FIG. 7

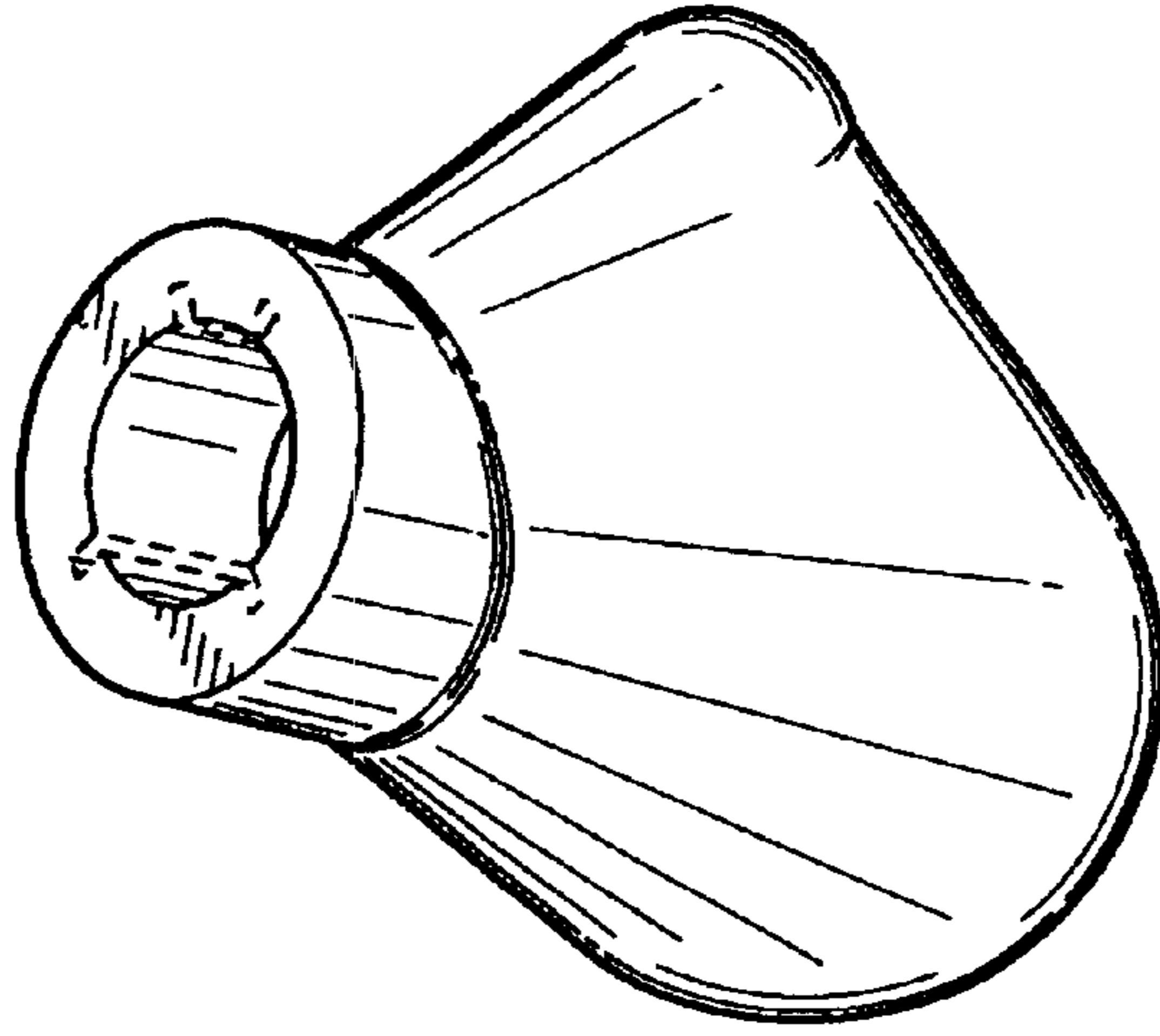


FIG. 8

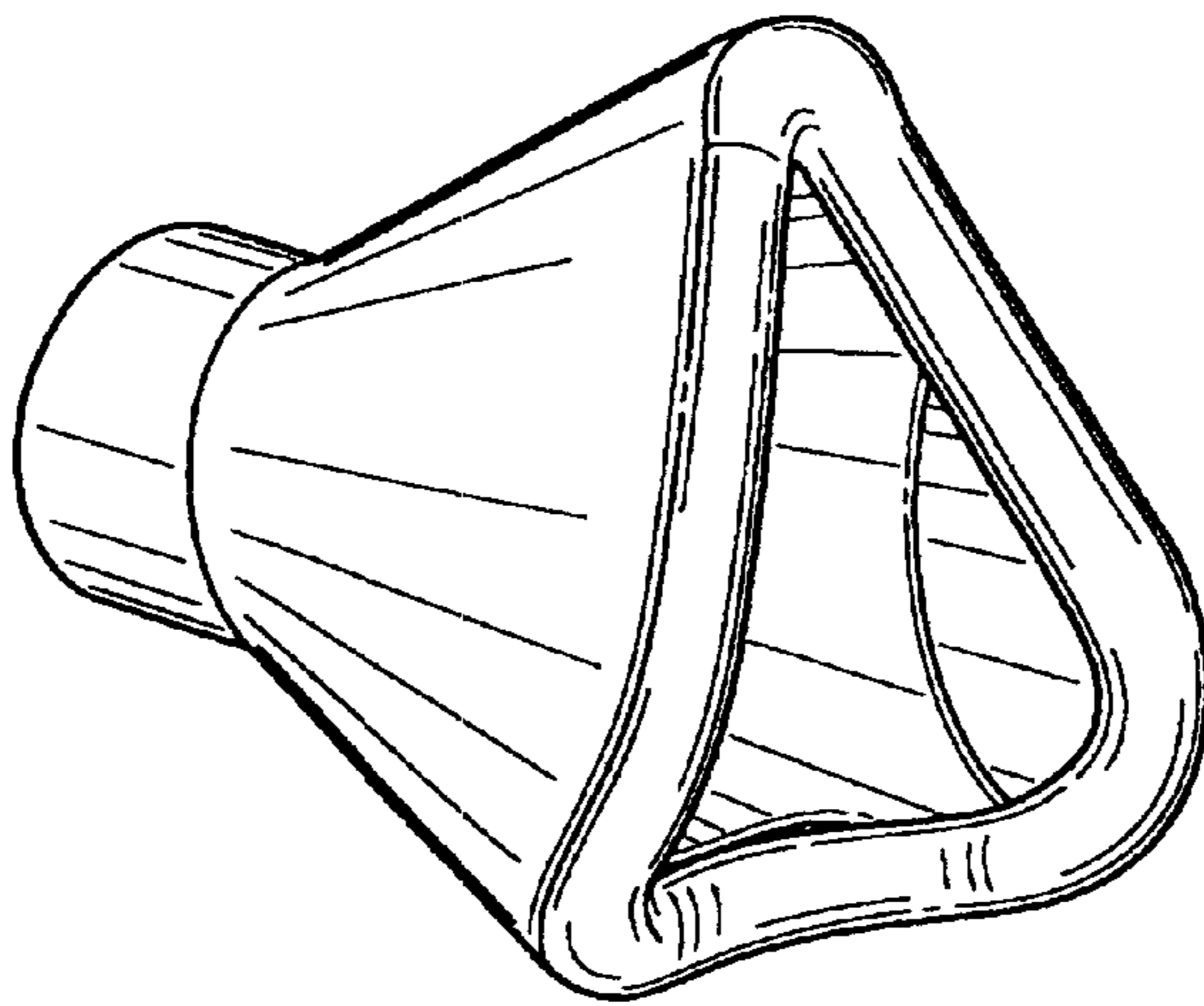


FIG. 9

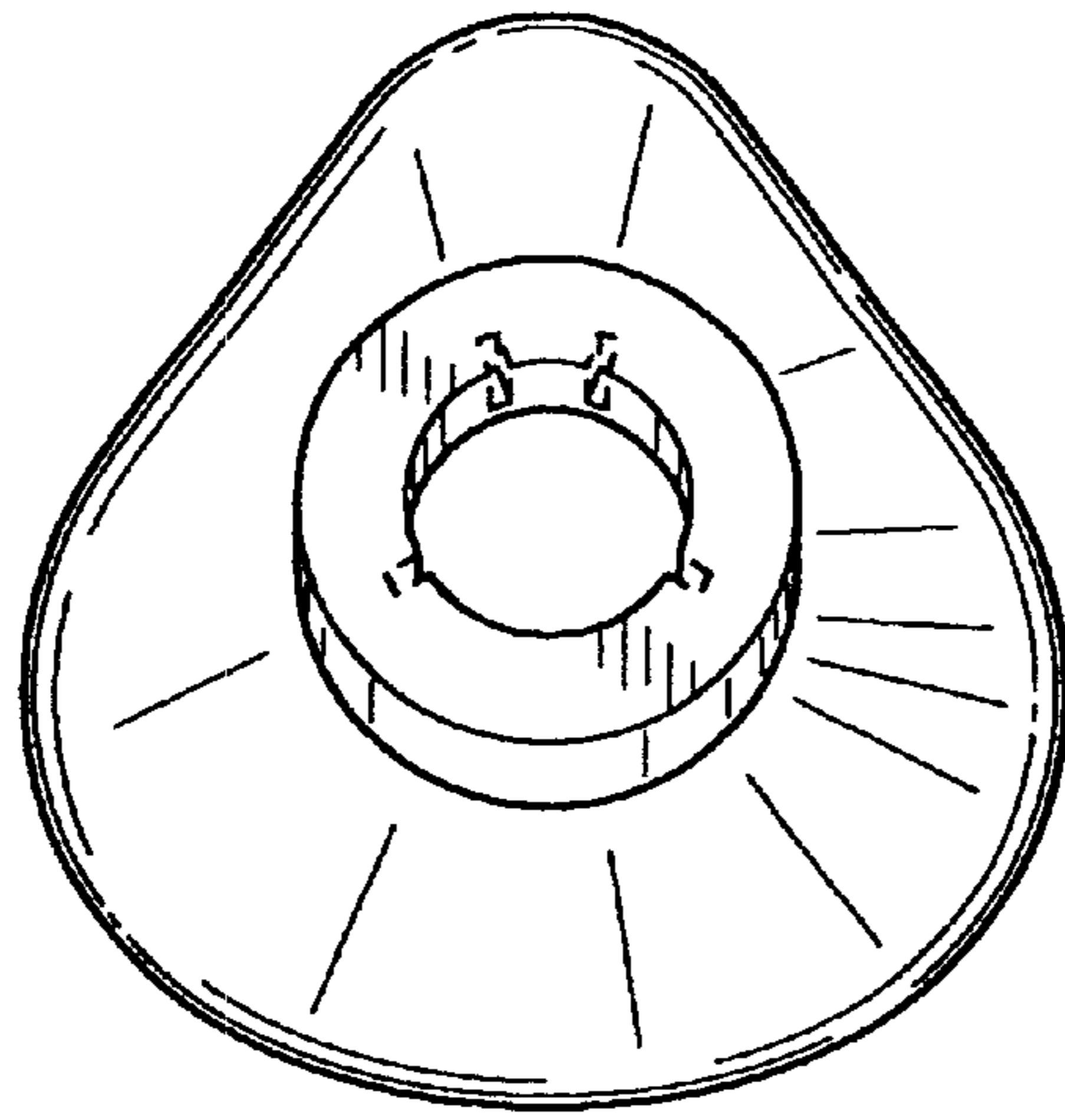


FIG. 10

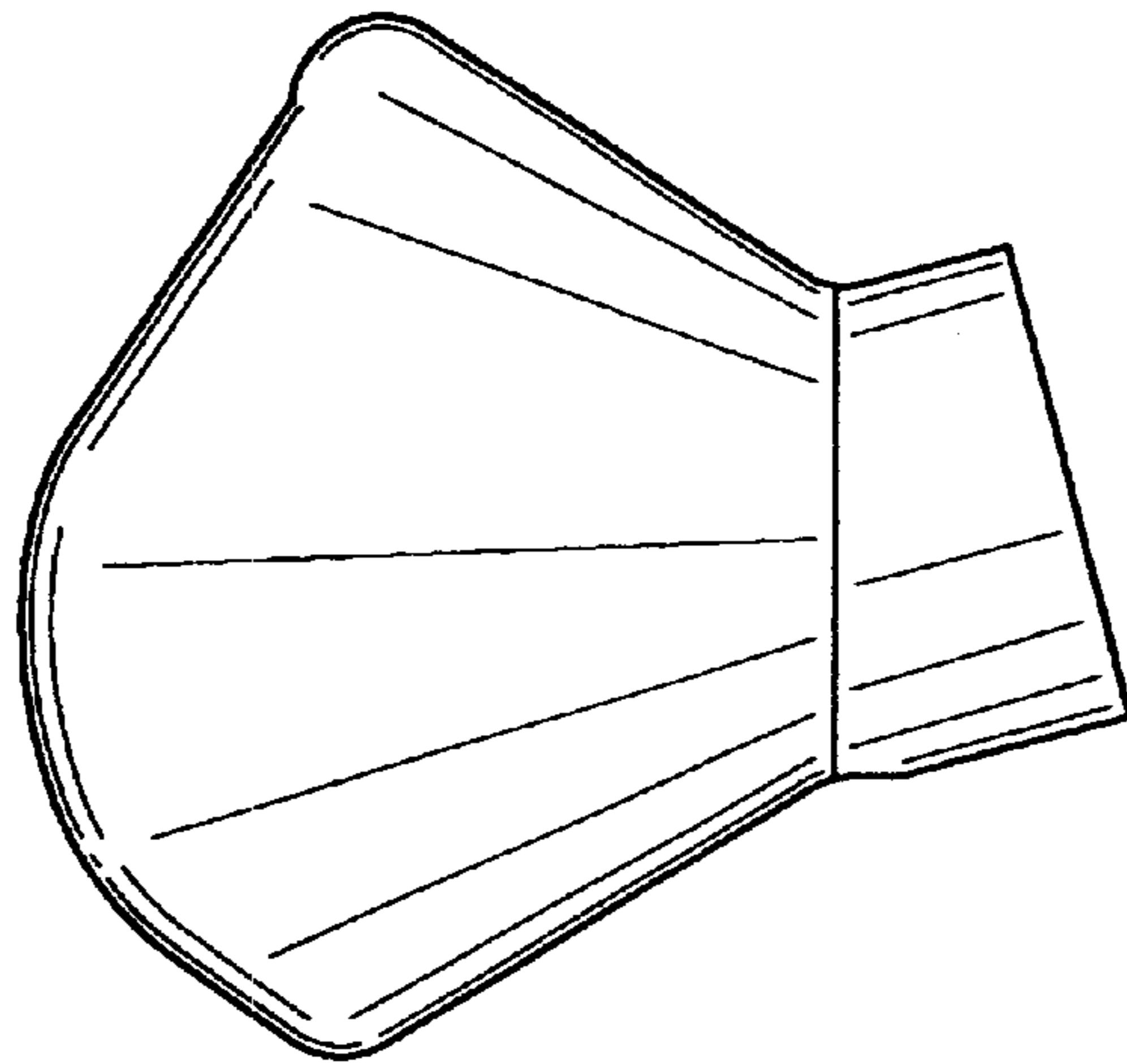


FIG. 11



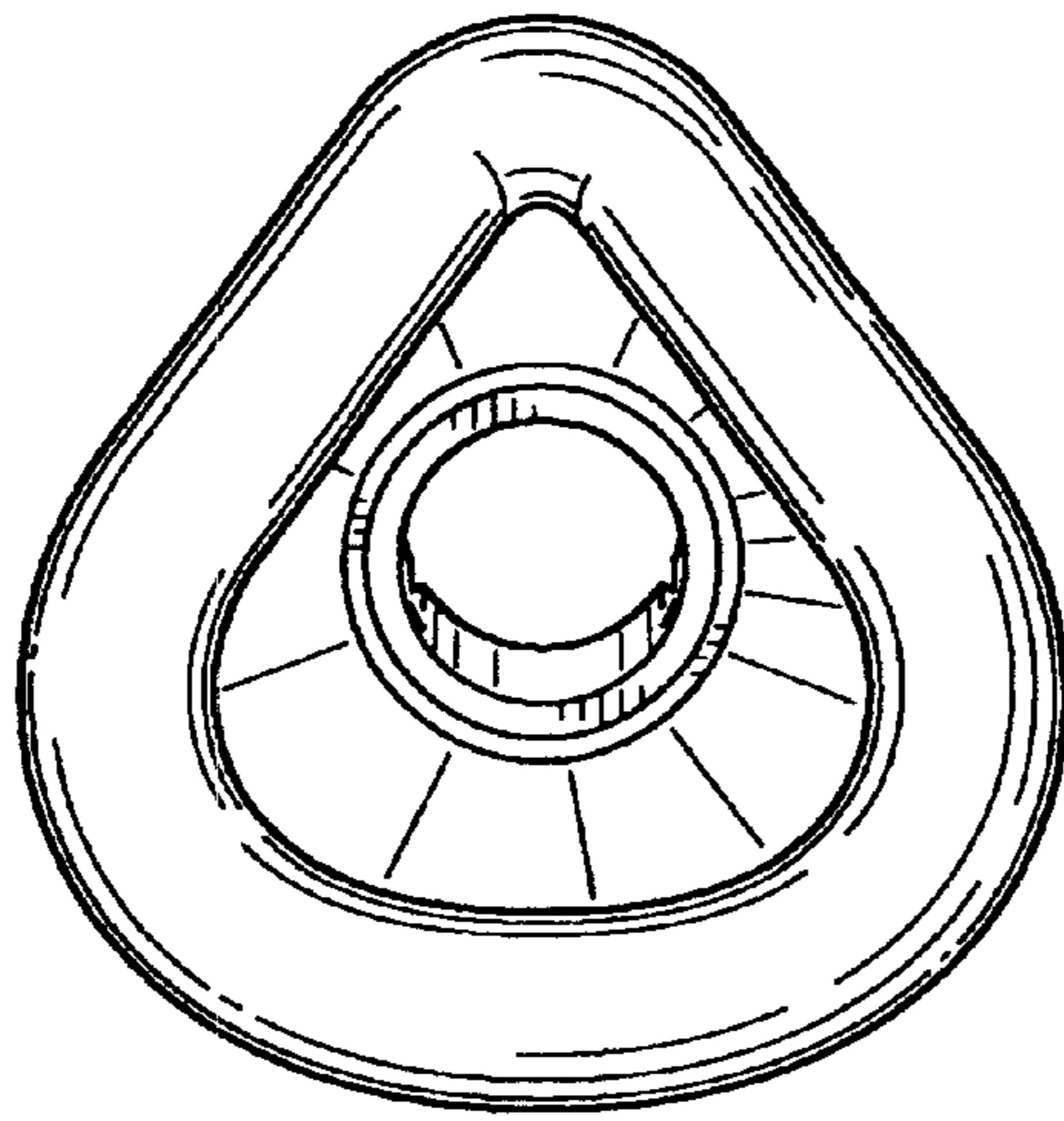


FIG. 12

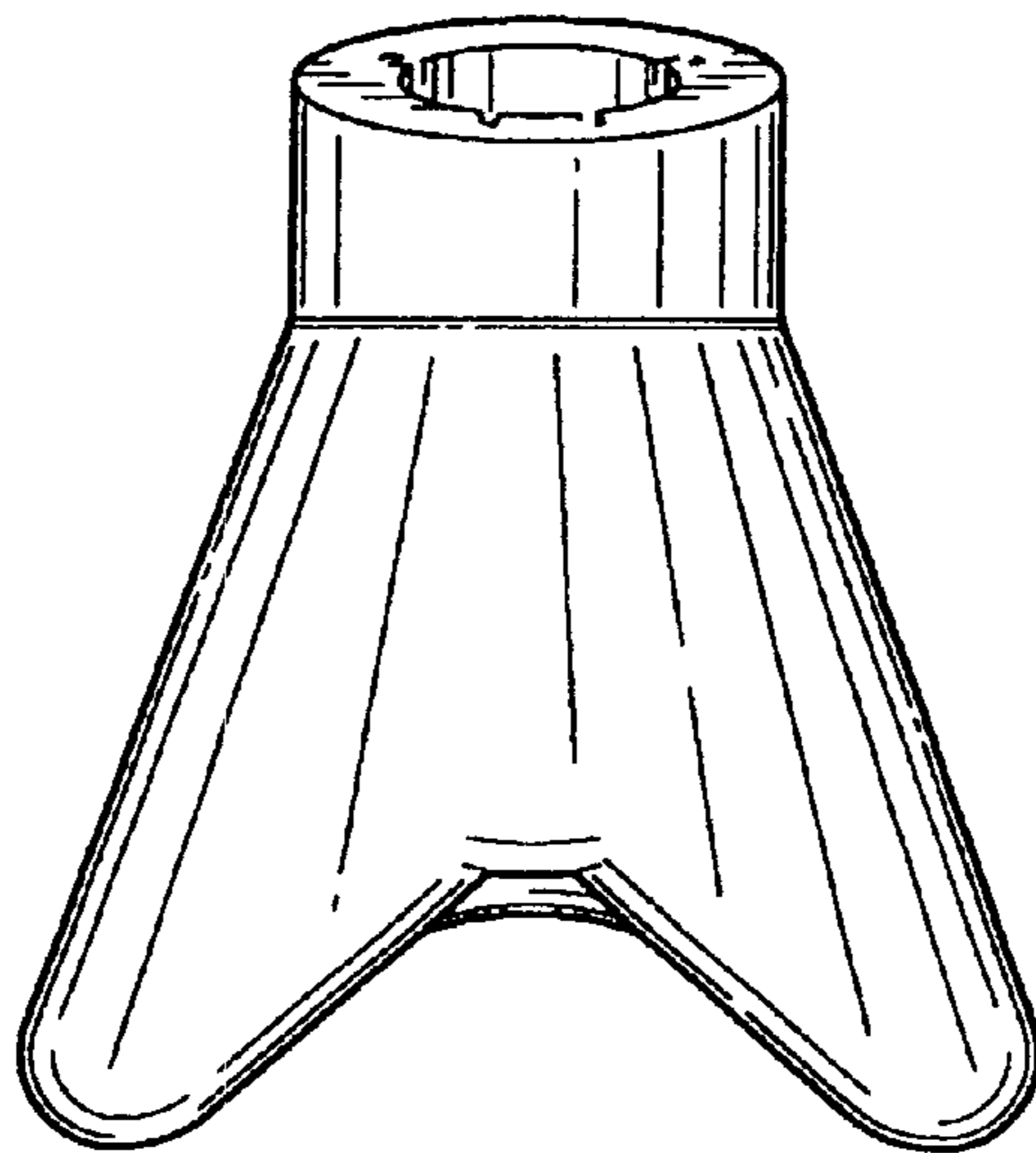


FIG. 13

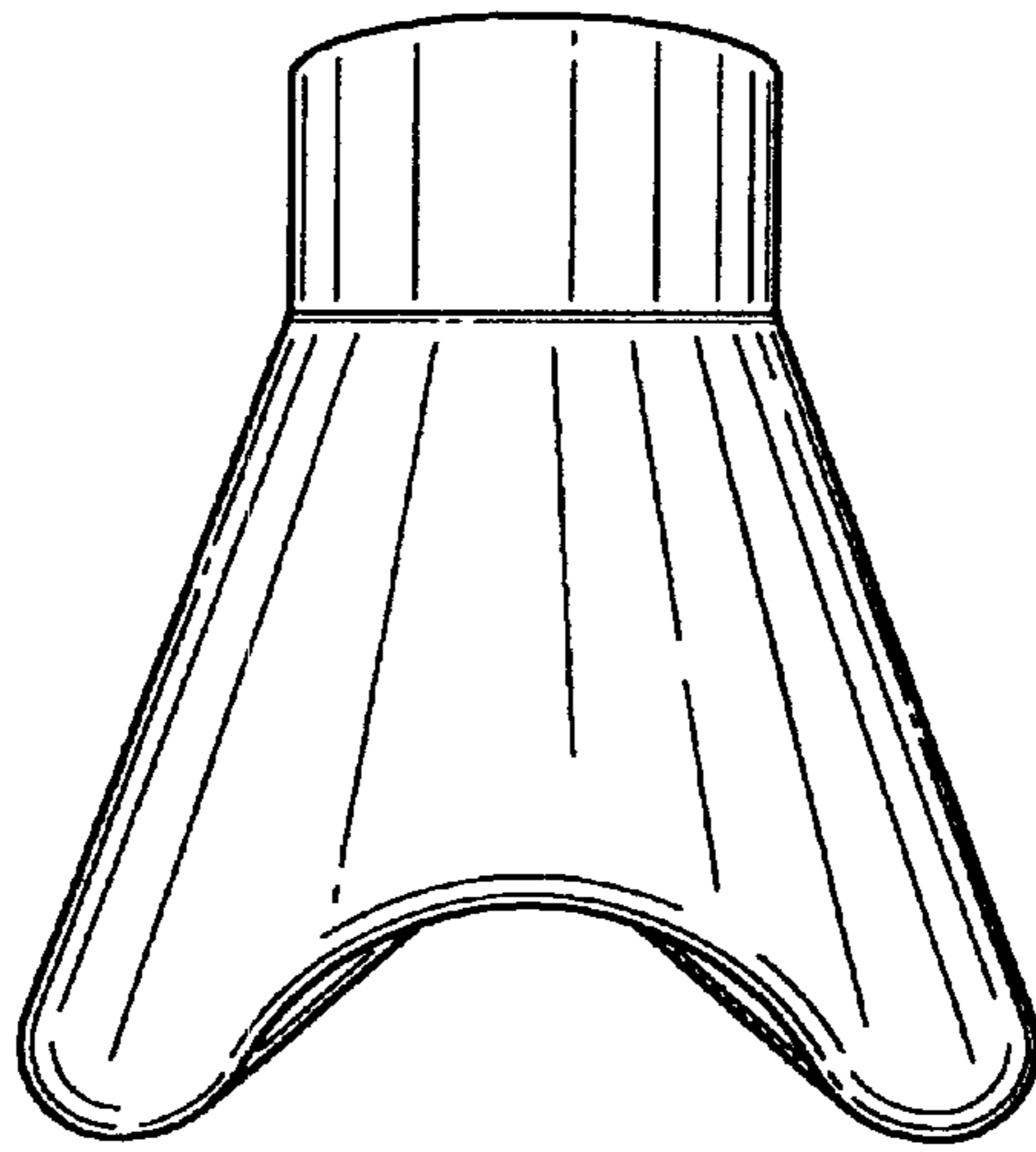


FIG. 14

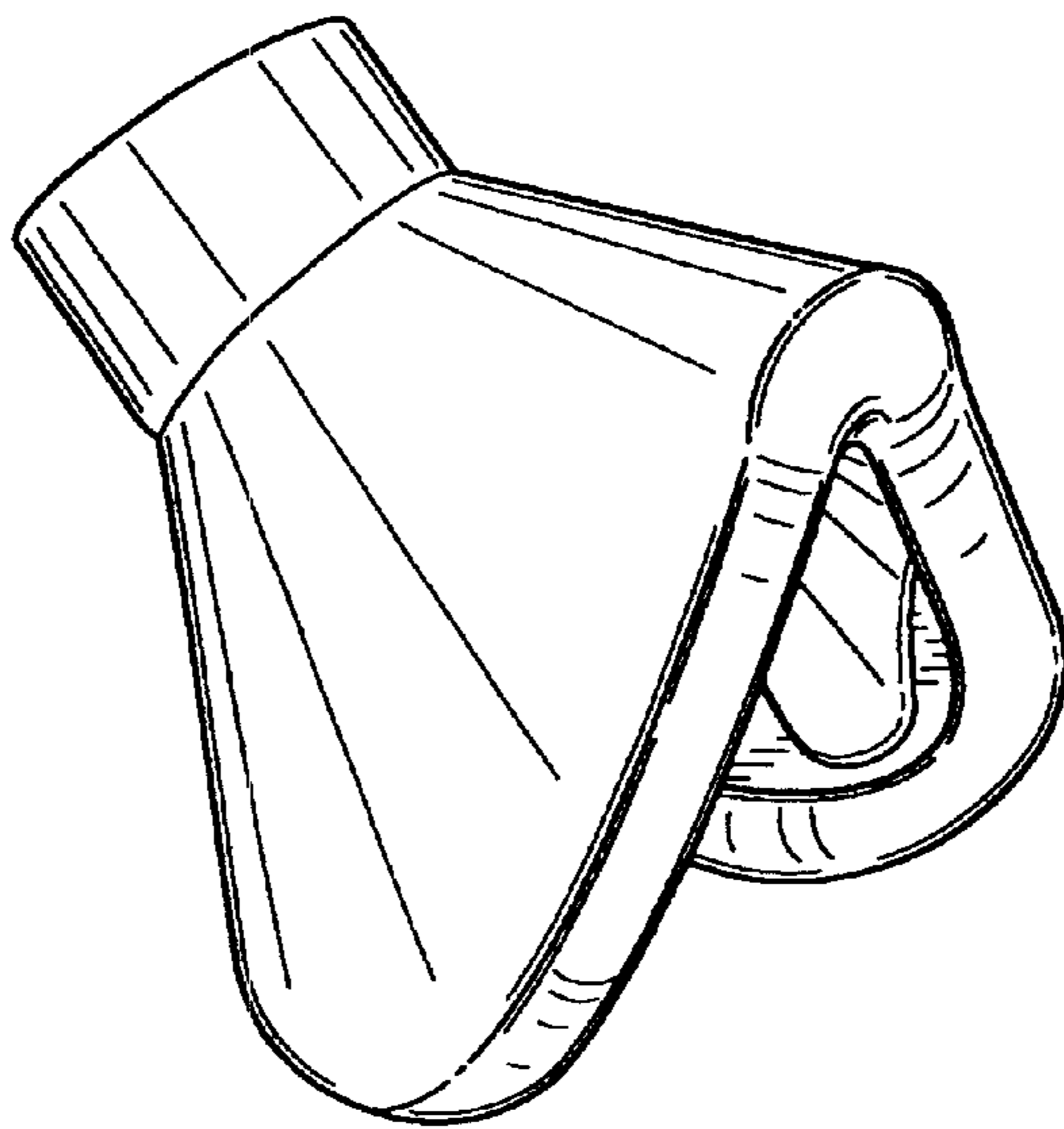


FIG. 15

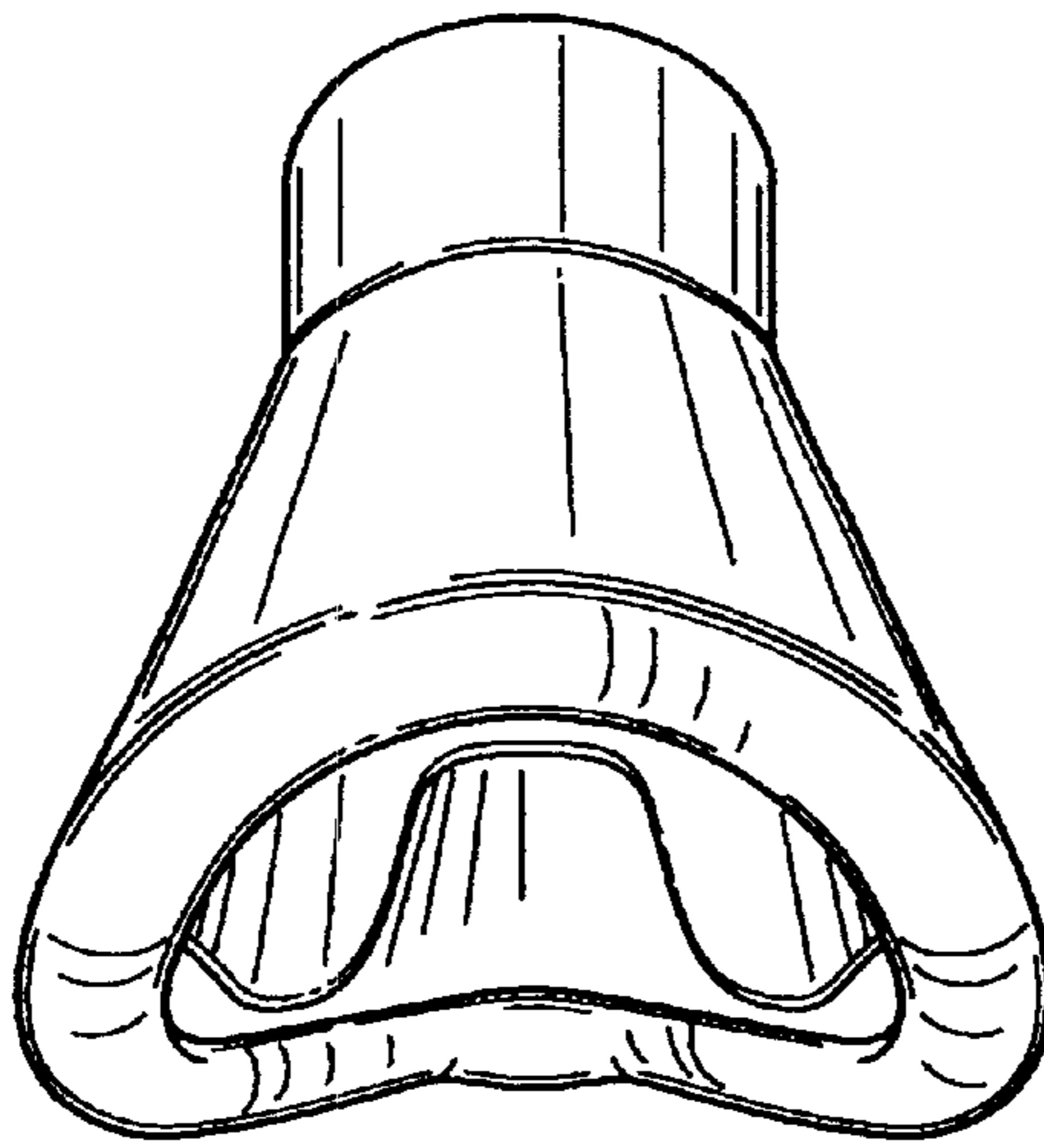


FIG. 16

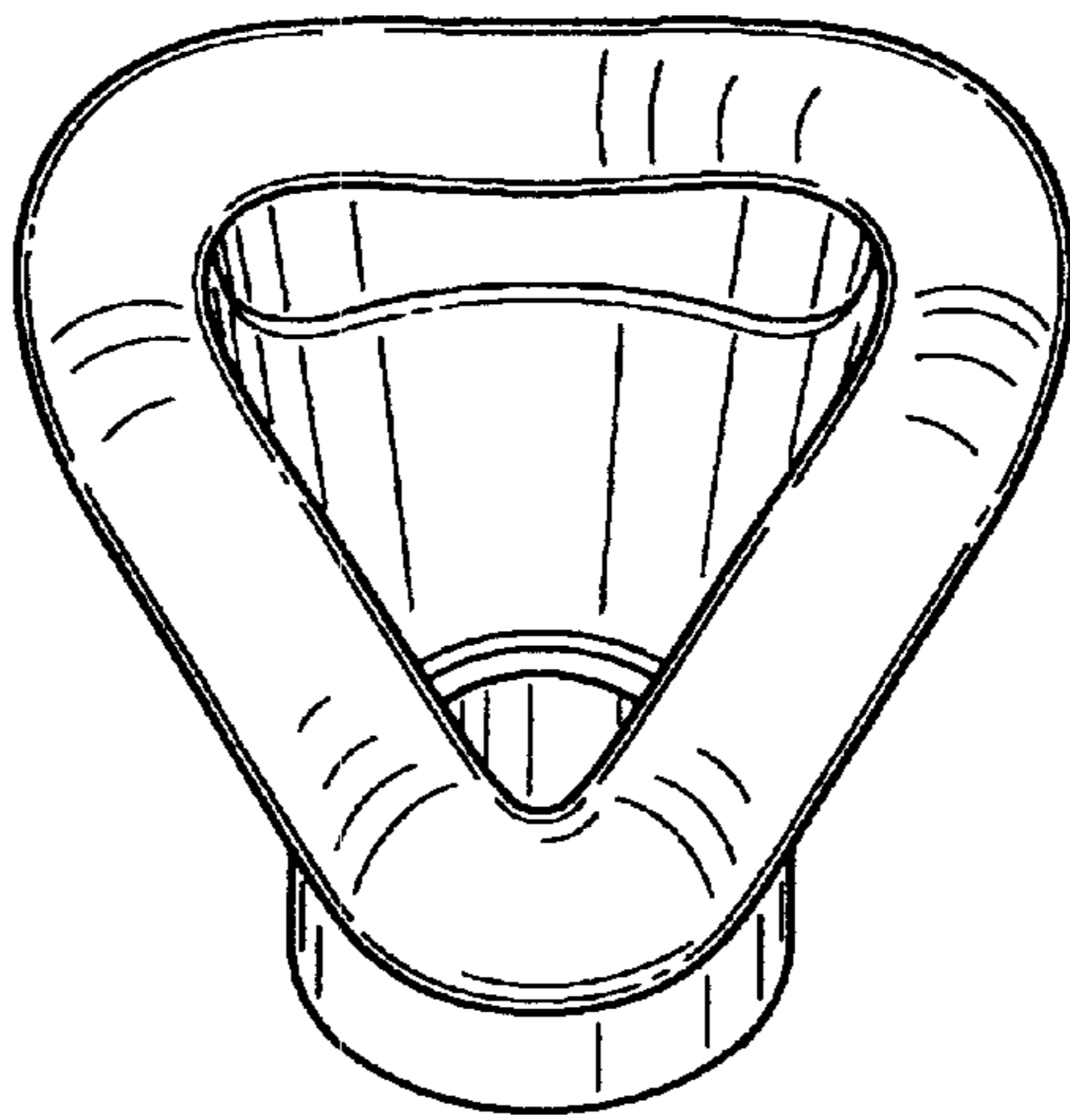


FIG. 17

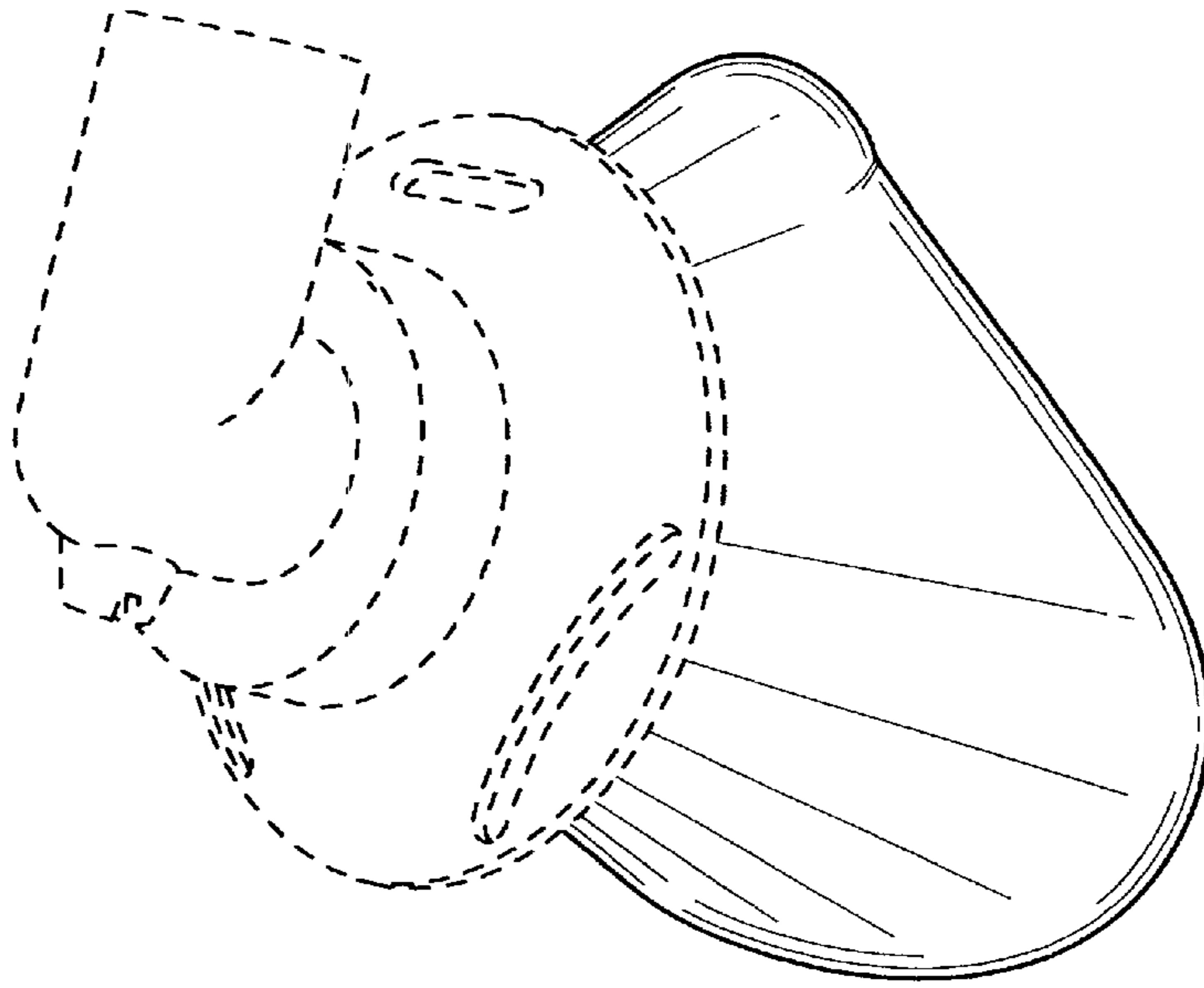


FIG. 18

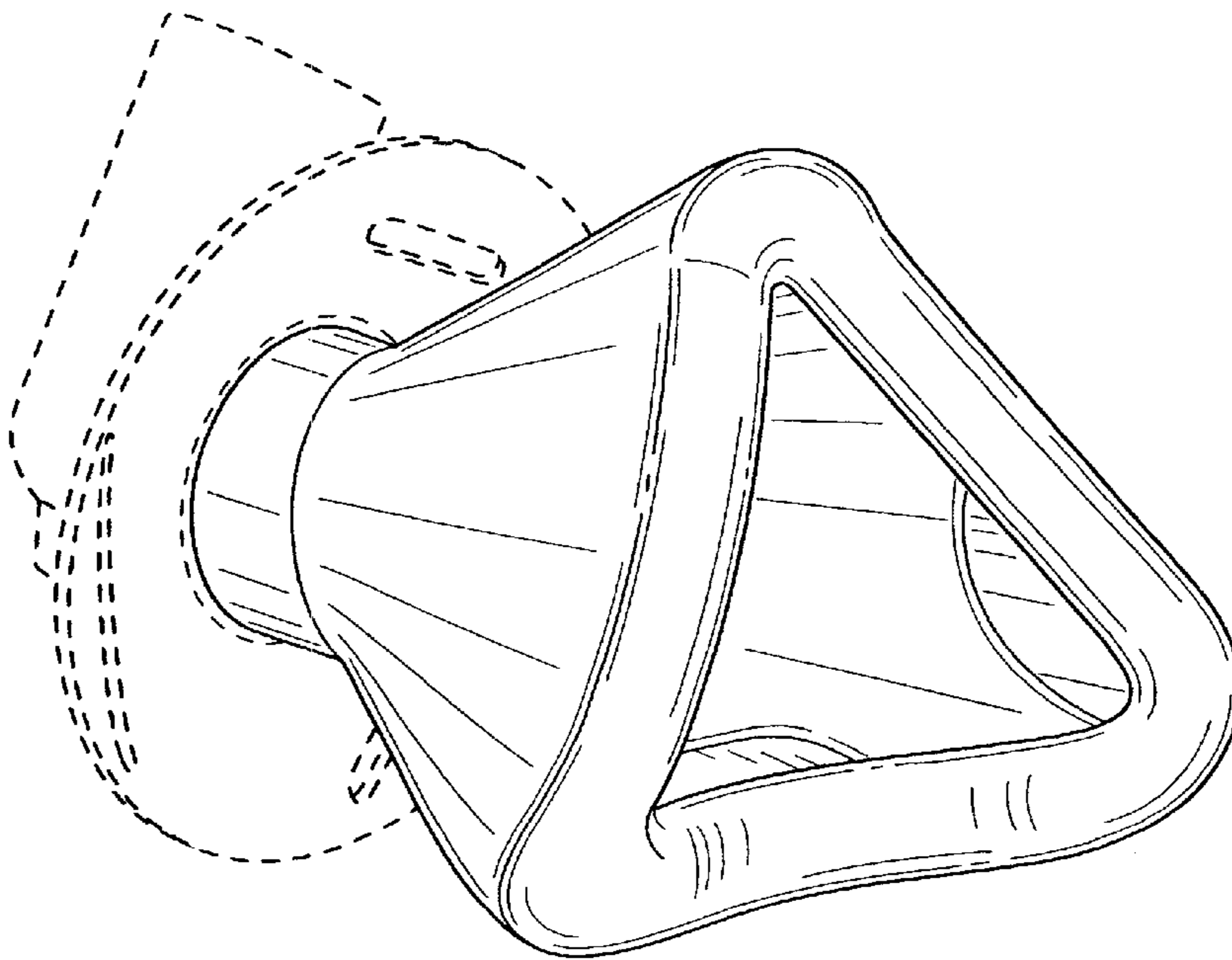


FIG. 19

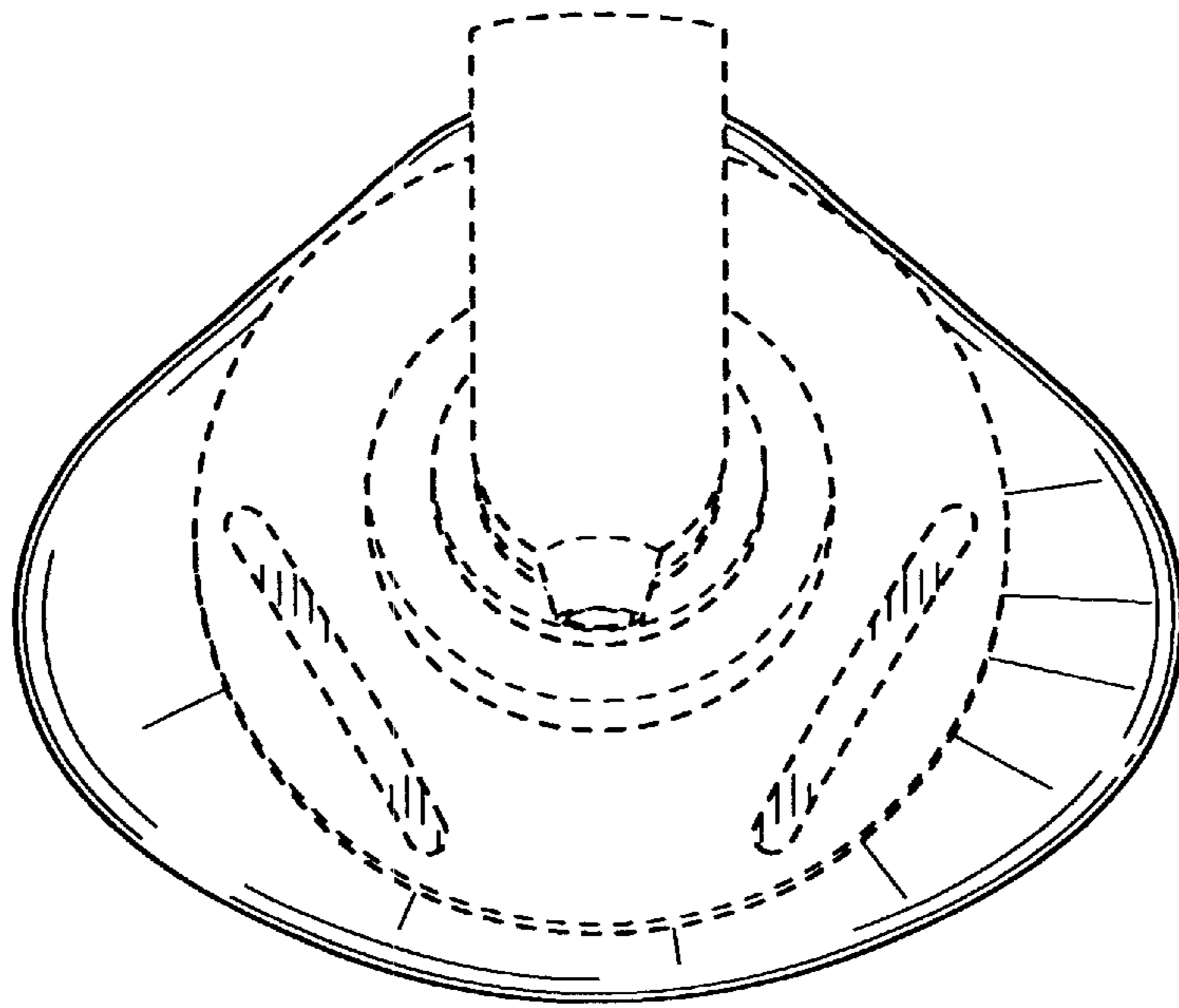


FIG. 20

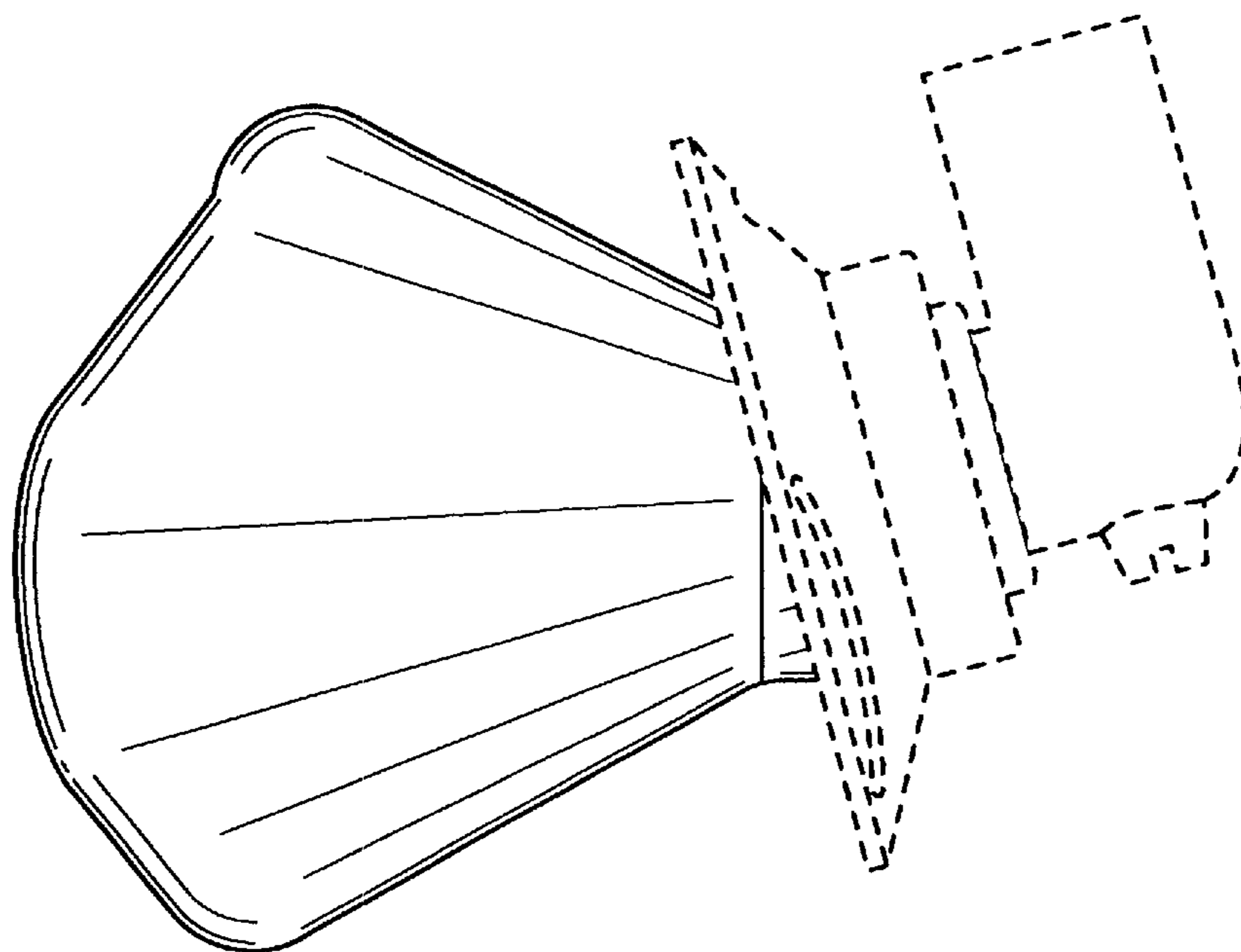


FIG. 21

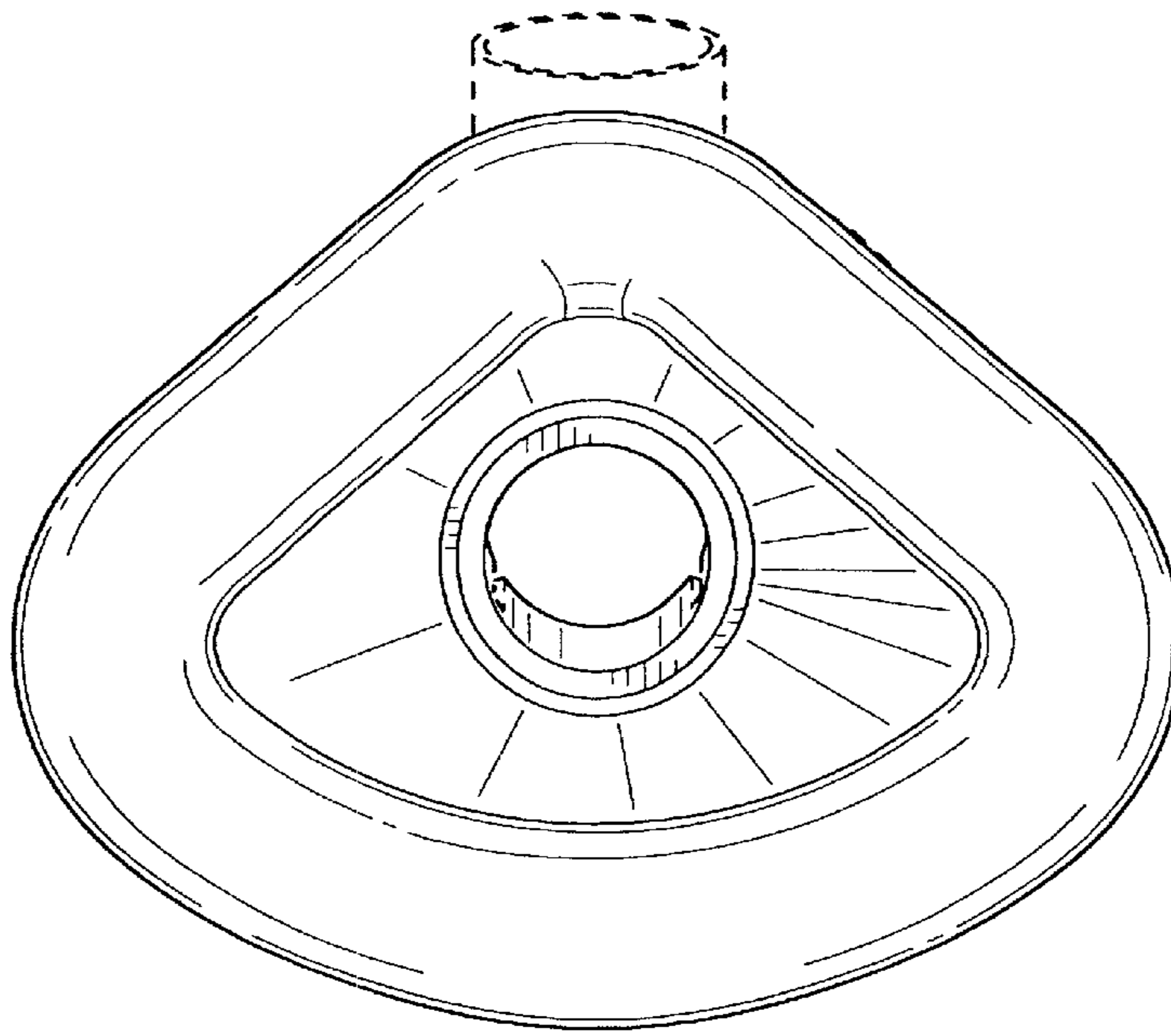


FIG. 22

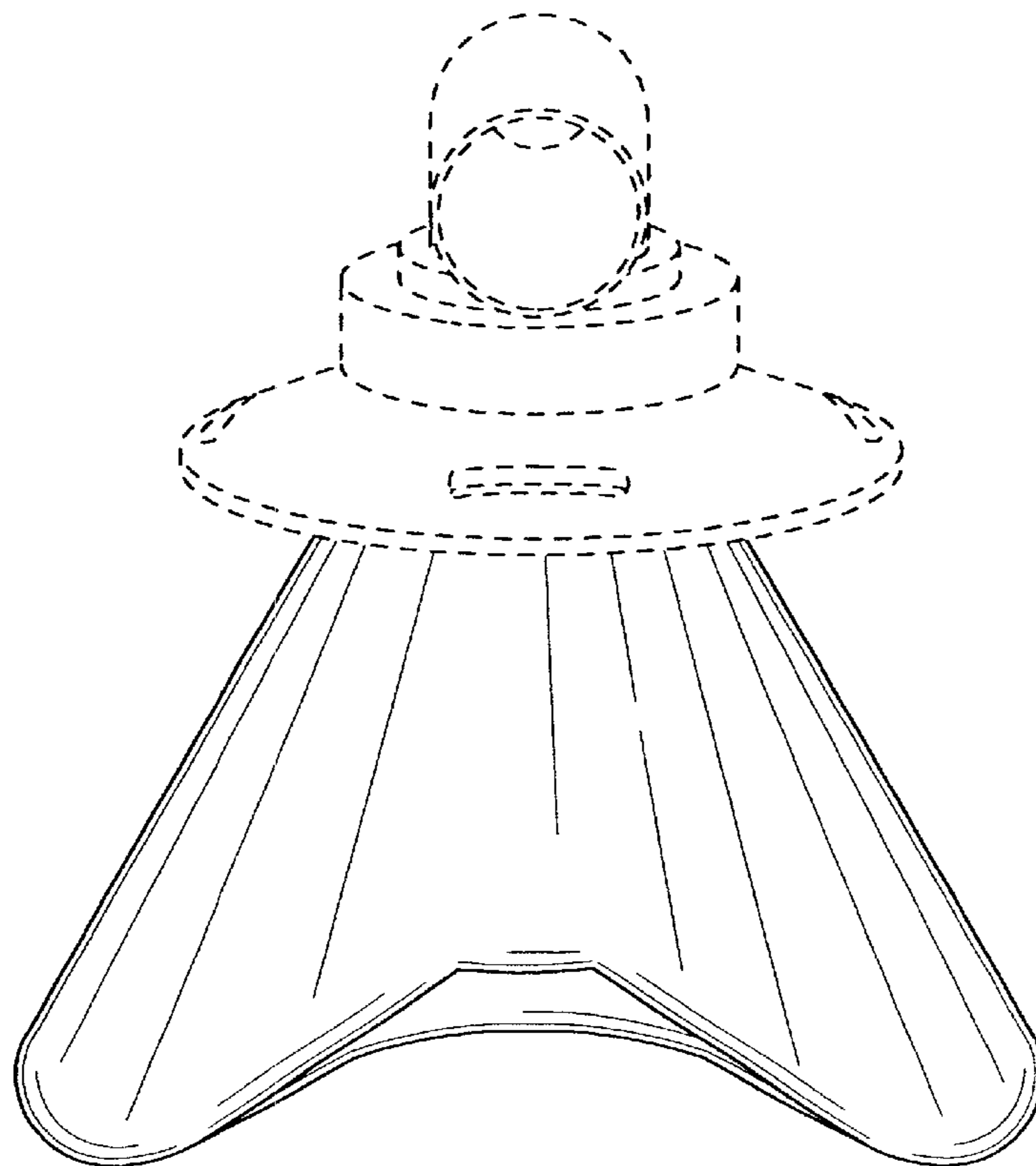


FIG. 23

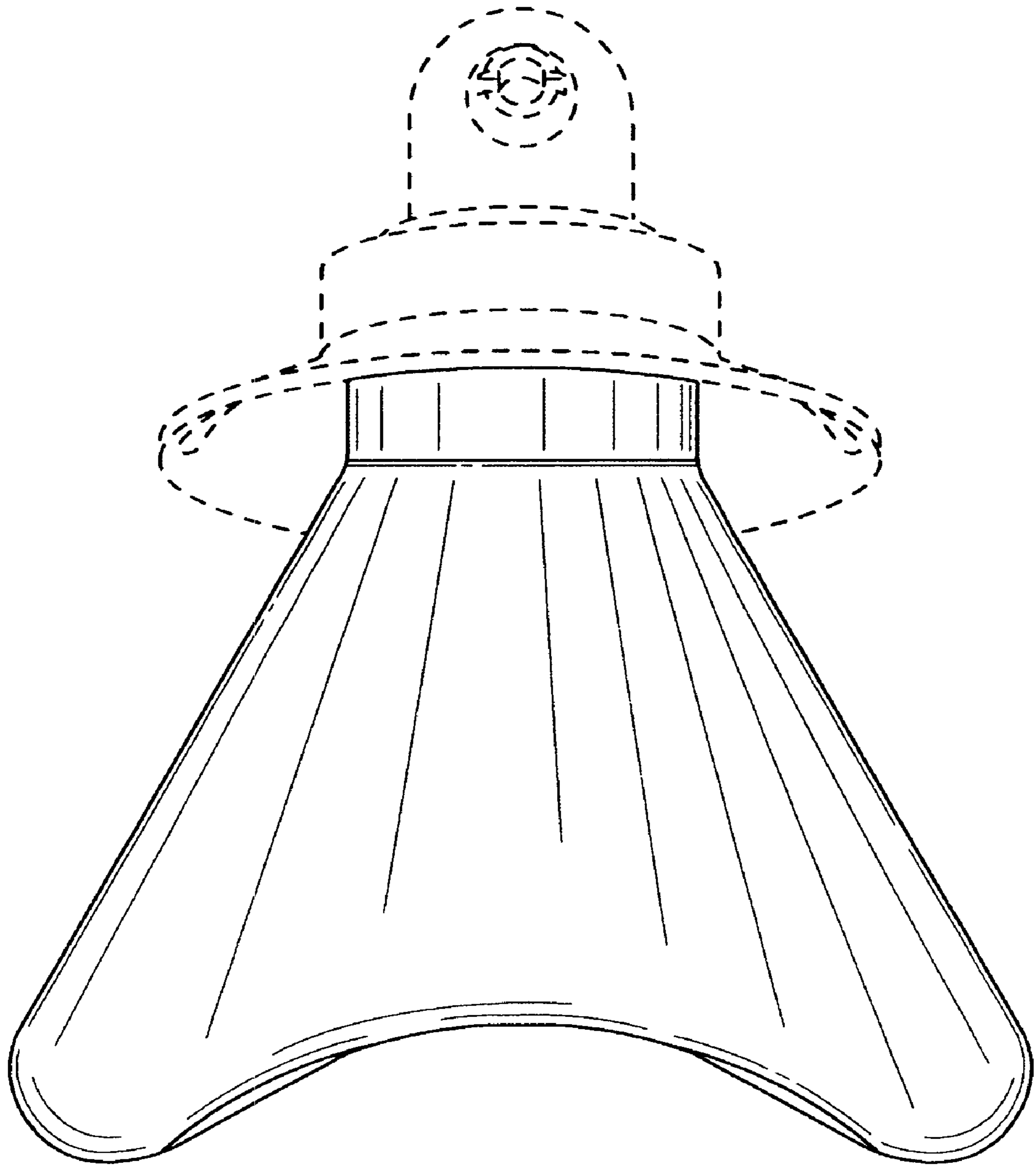


FIG. 24

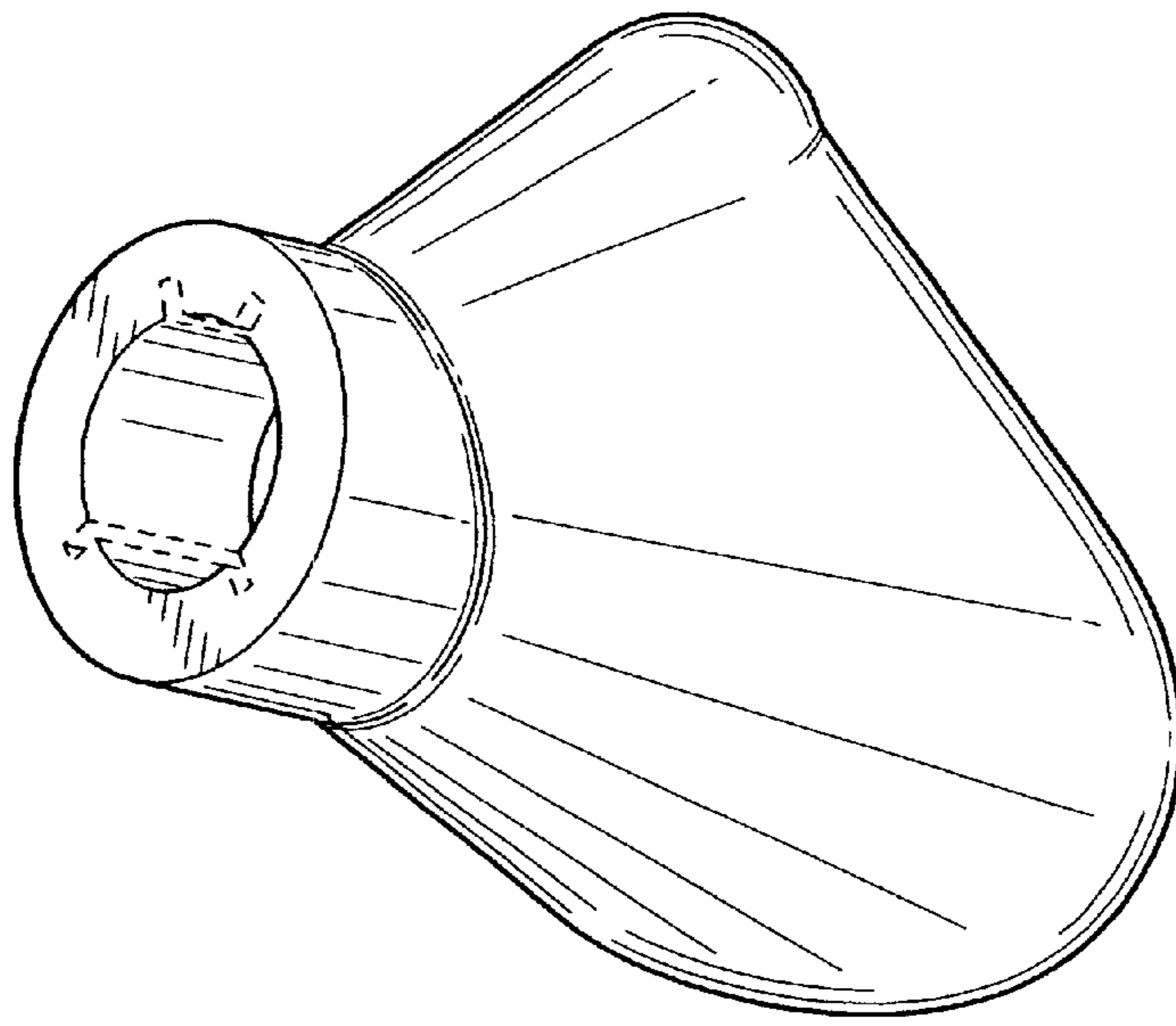


FIG. 25

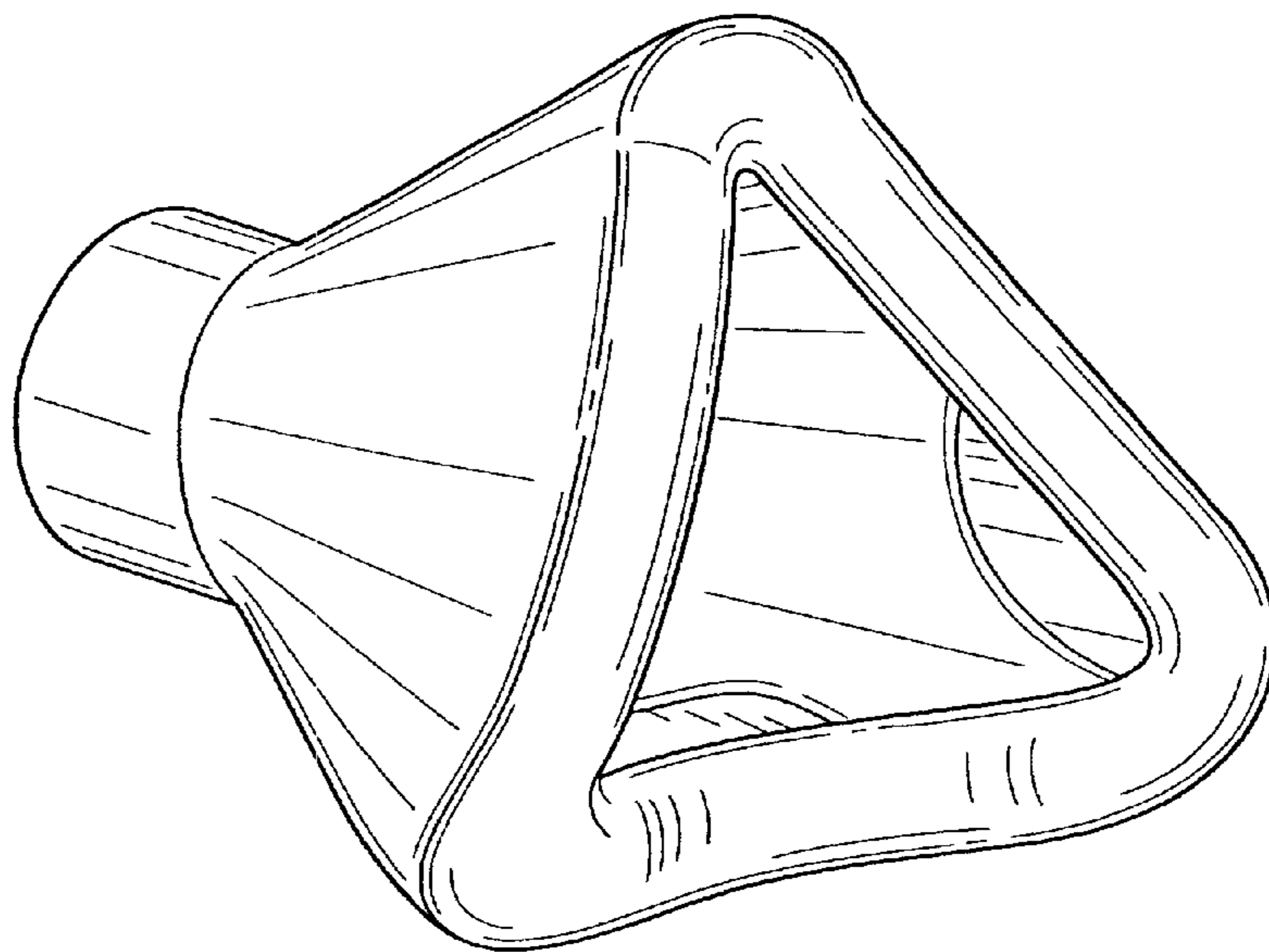


FIG. 26



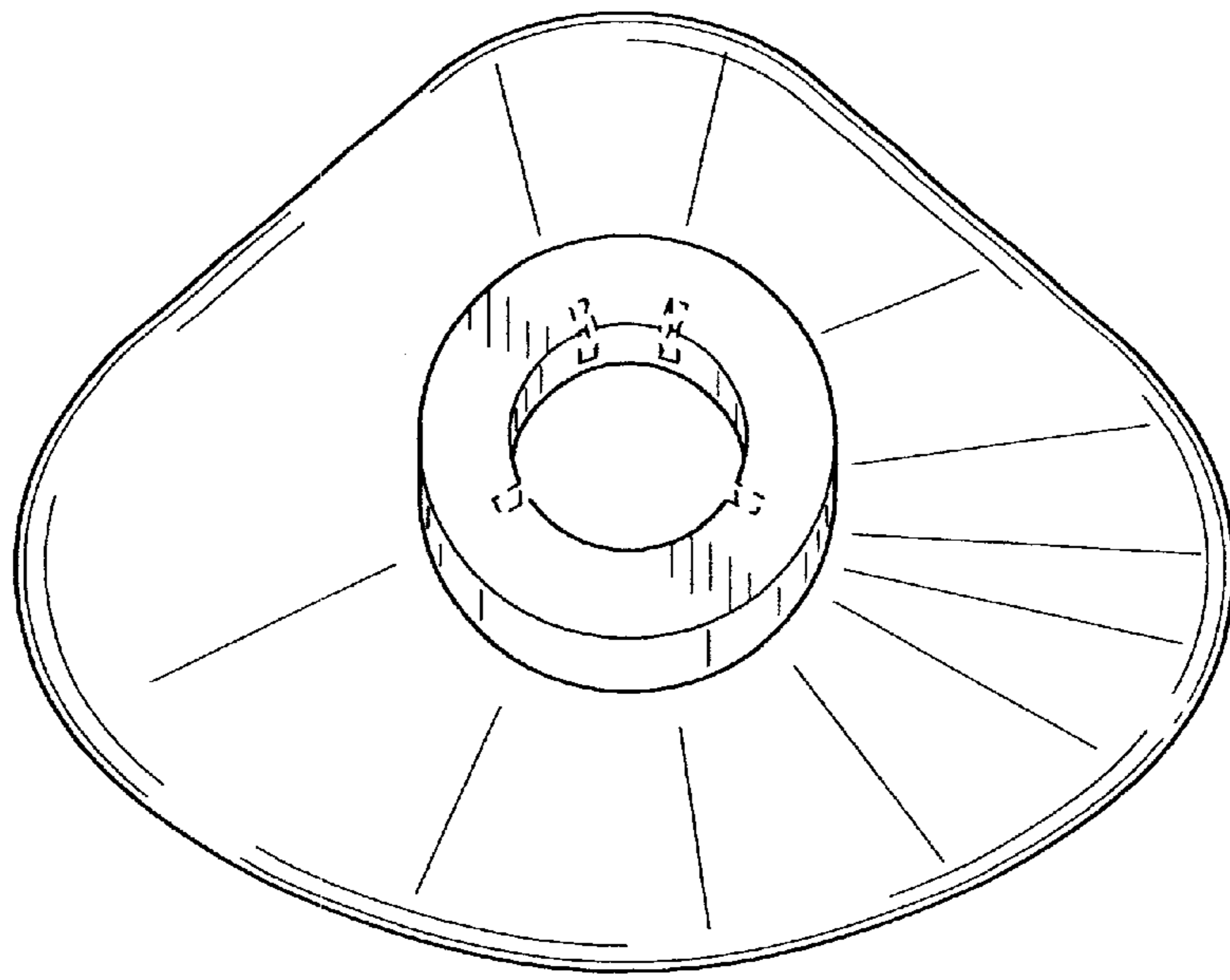


FIG. 27

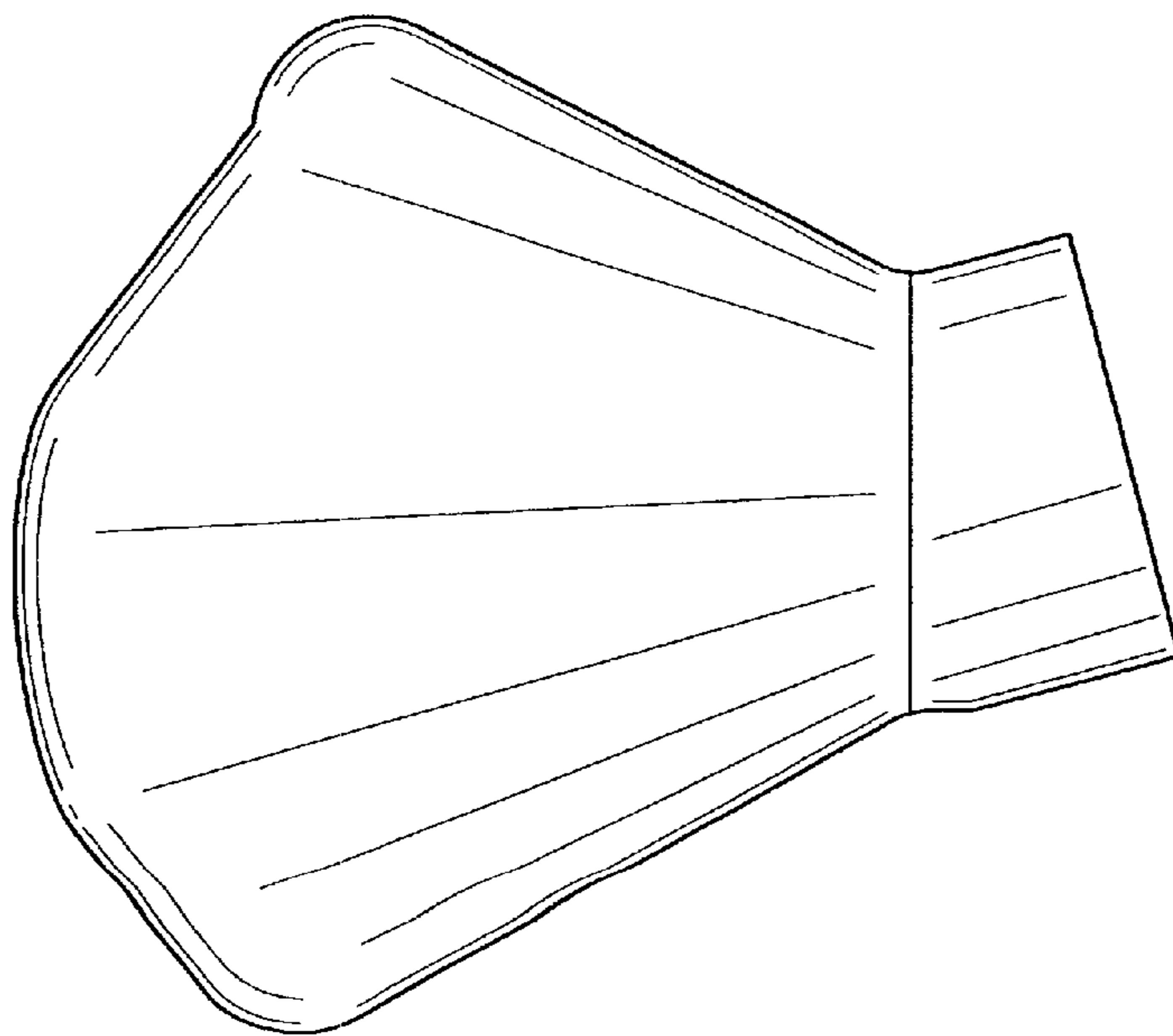


FIG. 28

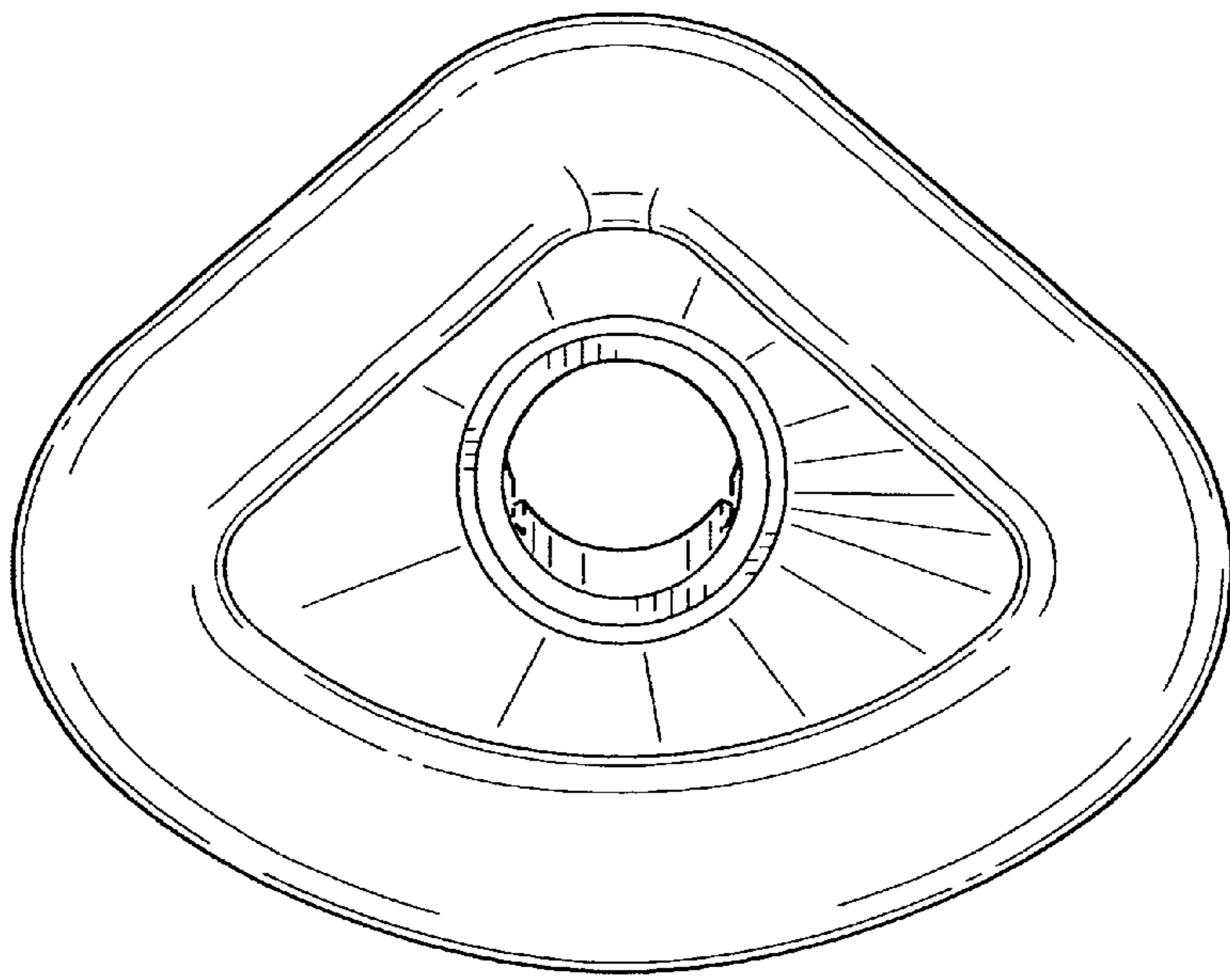


FIG. 29

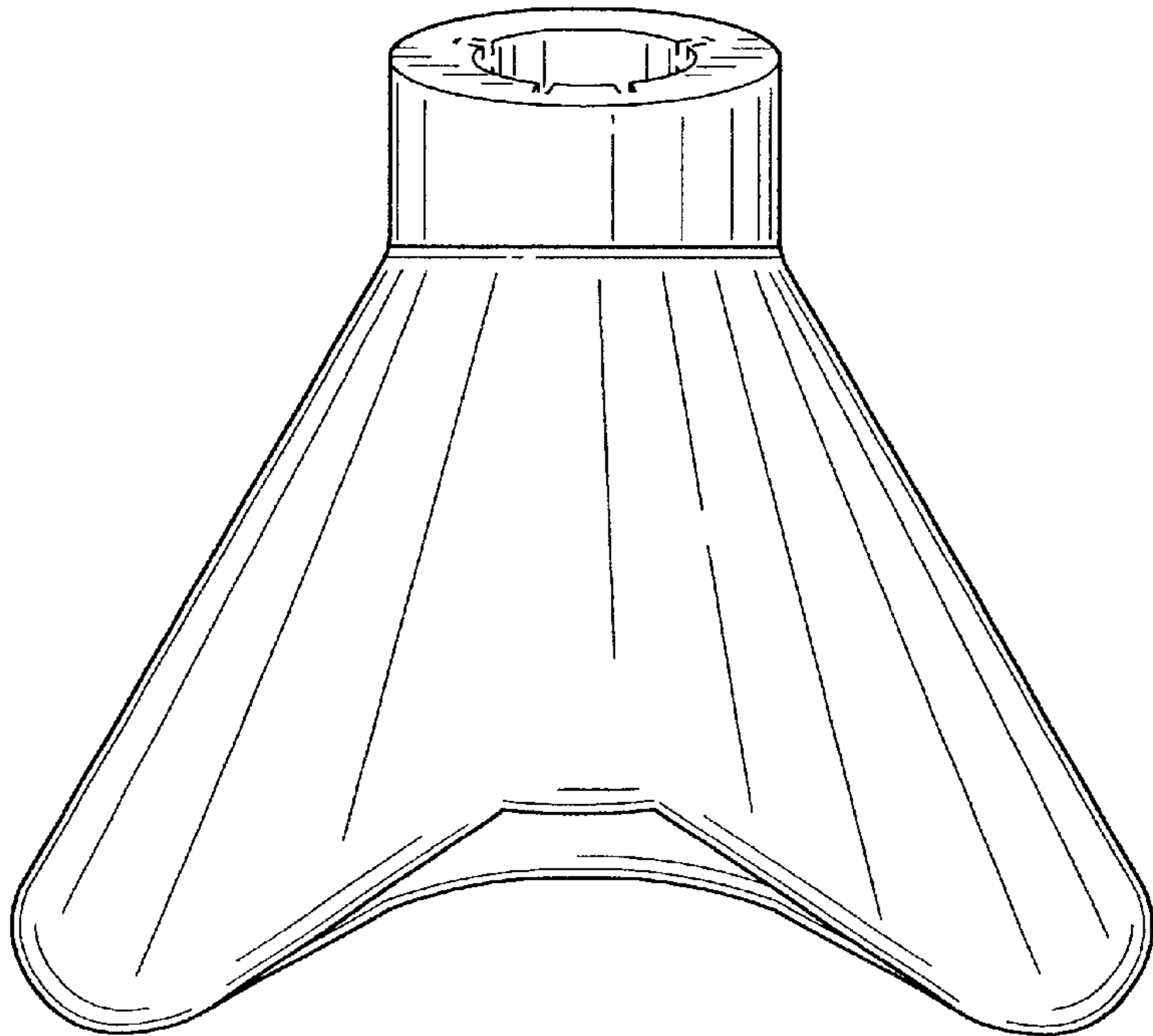


FIG. 30

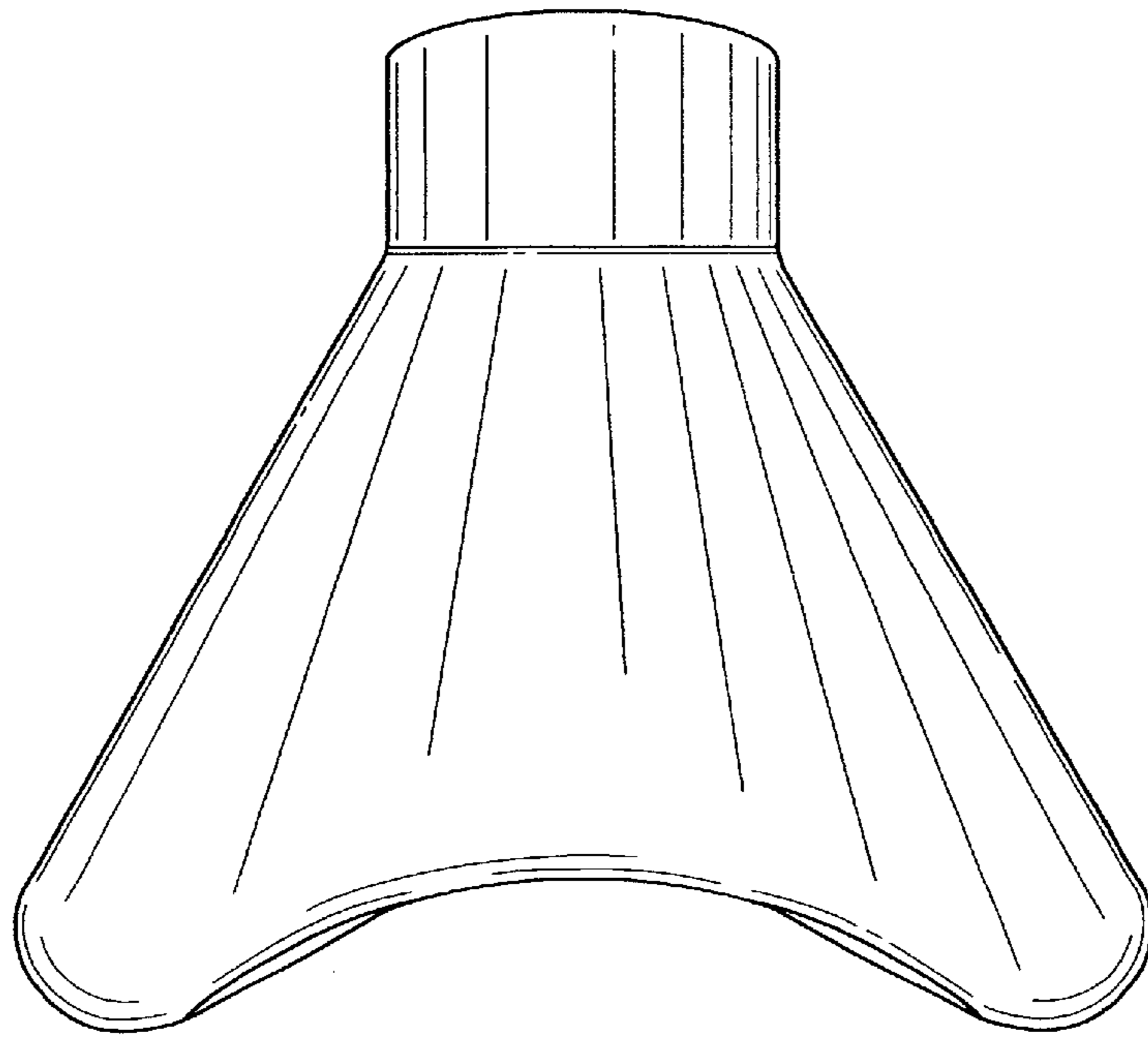


FIG. 31

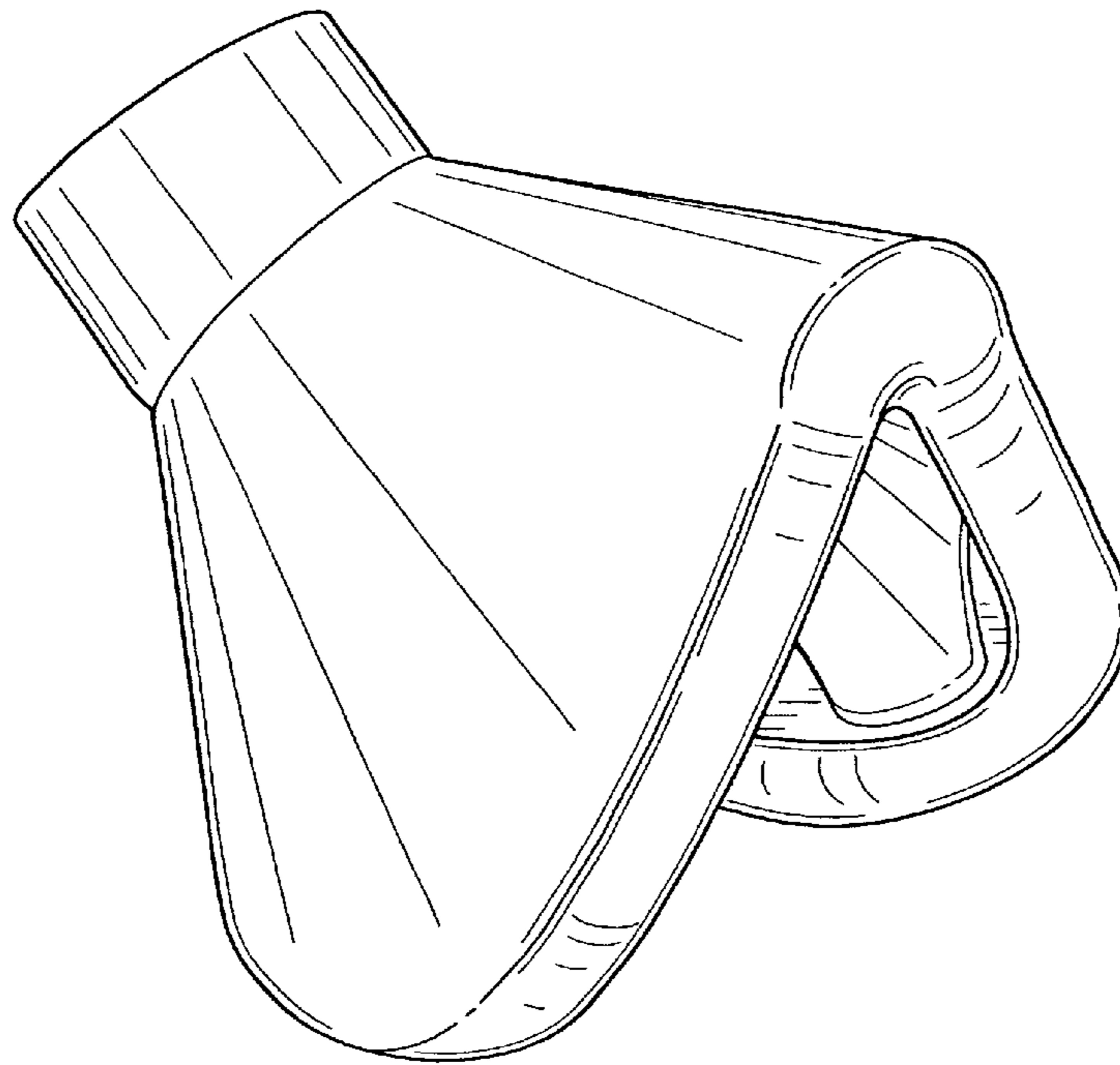


FIG. 32

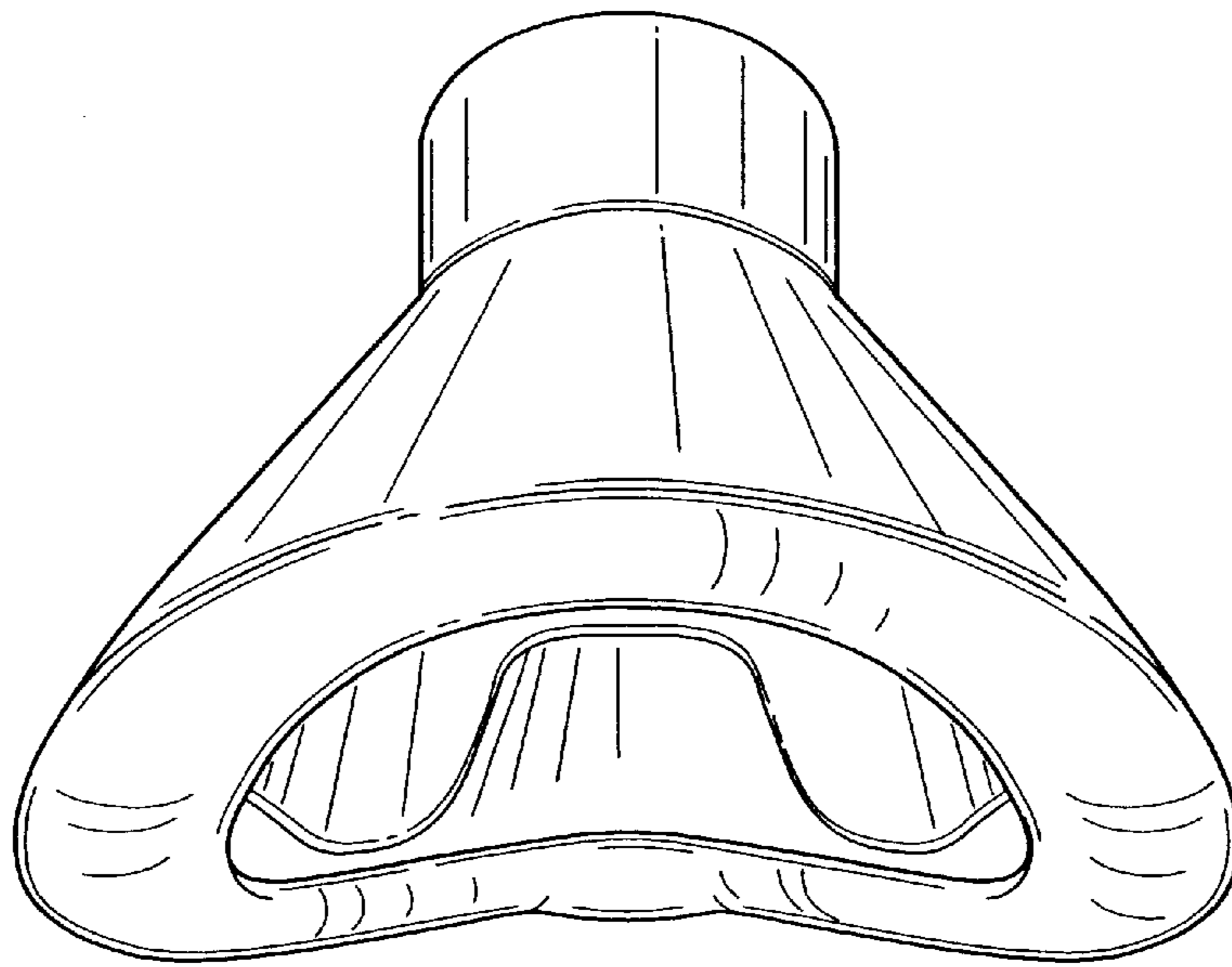


FIG. 33

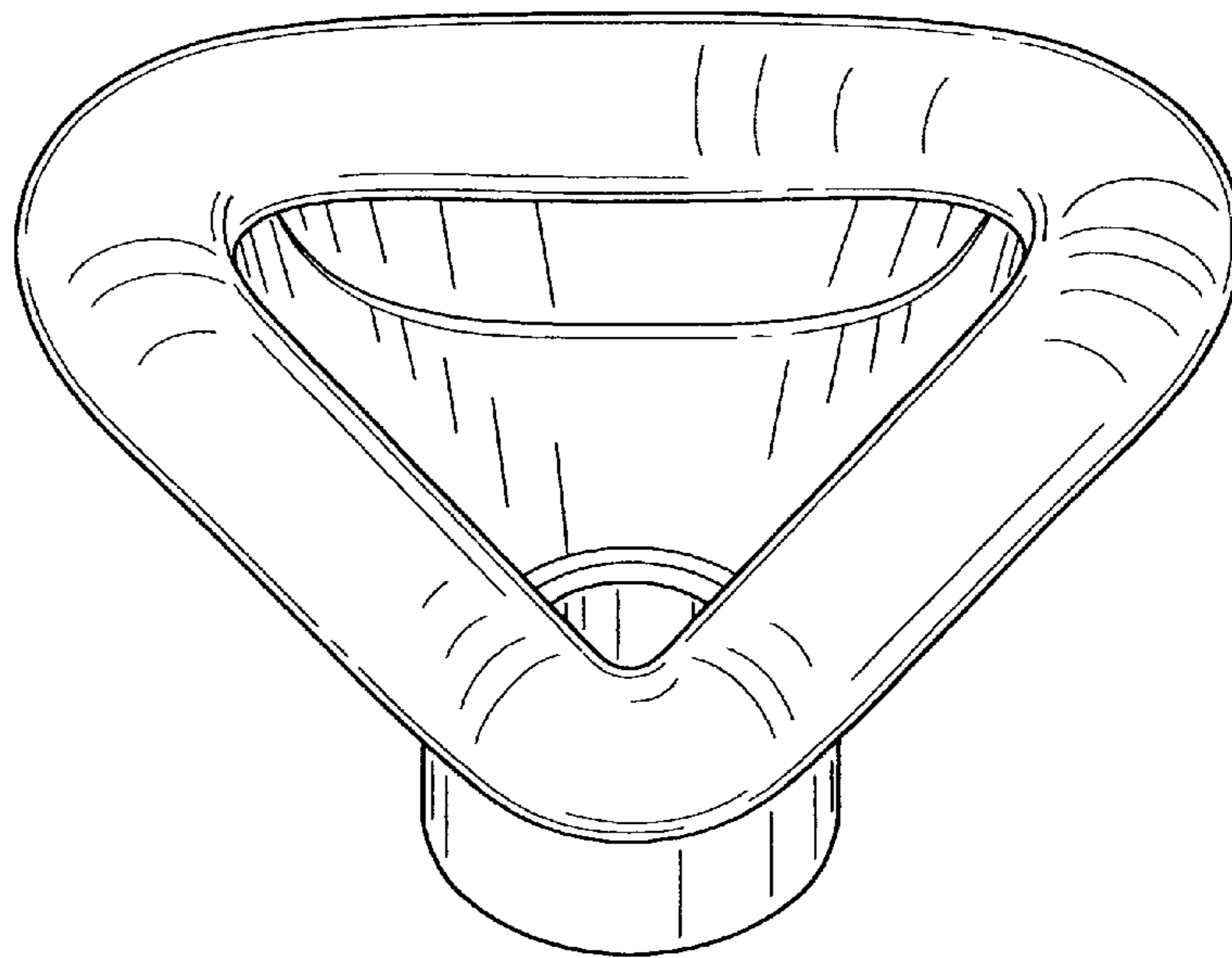


FIG. 34