



US00D464427S

(12) **United States Design Patent**
Smart

(10) **Patent No.:** **US D464,427 S**

(45) **Date of Patent:** **** Oct. 15, 2002**

(54) **FULL FACE MASK**

(75) **Inventor:** **Gregory S. Smart, Randwick (AU)**

(73) **Assignee:** **ResMed Limited, North Ryde (AU)**

(**) **Term:** **14 Years**

(21) **Appl. No.:** **29/155,029**

(22) **Filed:** **Jan. 14, 2002**

Related U.S. Application Data

(62) Division of application No. 29/142,700, filed on Jun. 1, 2001.

(51) **LOC (7) Cl.** **29-02**

(52) **U.S. Cl.** **D24/110.1; D24/110.4**

(58) **Field of Search** **D24/110.1, 110.4, D24/110.5; 128/206.27, 202.27, 205.25, 207.18, 207.17, 204.11, 207.11**

(56) **References Cited**

U.S. PATENT DOCUMENTS

D236,033 S	7/1975	Dryden
5,243,971 A	9/1993	Sullivan et al.
5,542,128 A	8/1996	Lomas
5,662,101 A	9/1997	Ogden et al.
D428,139 S	7/2000	Smart
D430,663 S	9/2000	Smart

6,112,746 A	9/2000	Kwok et al.
6,119,693 A	9/2000	Kwok et al.
D443,355 S	6/2001	Gunaratnam et al.
6,357,411 B1 *	3/2002	Kwok et al. 128/207.13

* cited by examiner

Primary Examiner—Ian Simmons

(74) *Attorney, Agent, or Firm*—Pillsbury Winthrop LLP

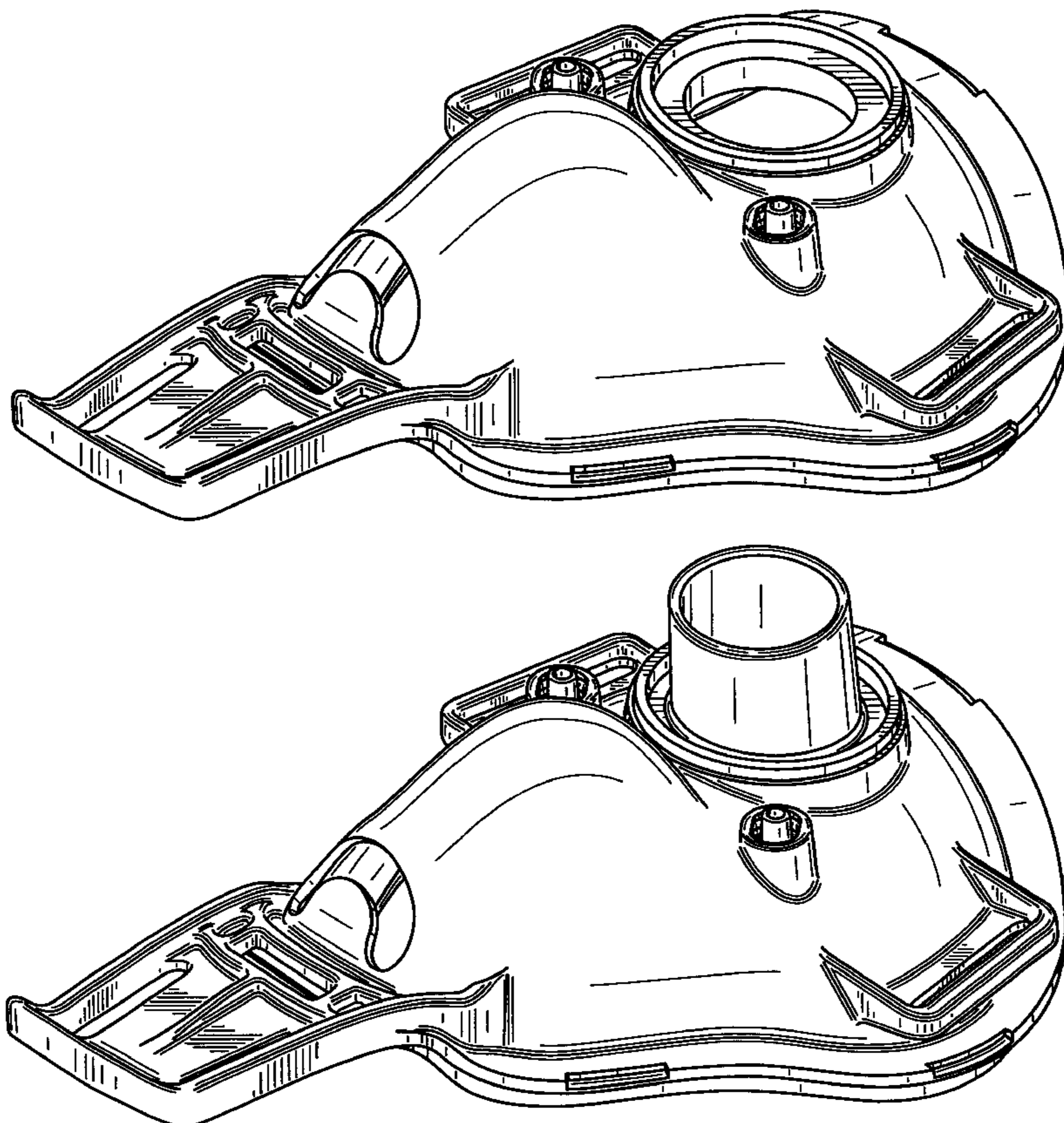
(57) **CLAIM**

The ornamental design for a full face mask, as shown and described.

DESCRIPTION

FIG. 1 is a perspective view of a full face mask showing my new design, shown with a low-profile connector;
 FIG. 2 is a side elevation view thereof;
 FIG. 3 is a top plan view thereof;
 FIG. 4 is a bottom plan view thereof;
 FIG. 5 is an end elevational view thereof;
 FIG. 6 is a lower perspective view thereof;
 FIG. 7 is a side elevation view thereof, taken from the opposite side of FIG. 2;
 FIG. 8 is an end elevational view thereof, taken from the opposite side of FIG. 5; and,
 FIG. 9 is a perspective view of a second embodiment of a full face mask showing my new design, with a female connector.

1 Claim, 9 Drawing Sheets



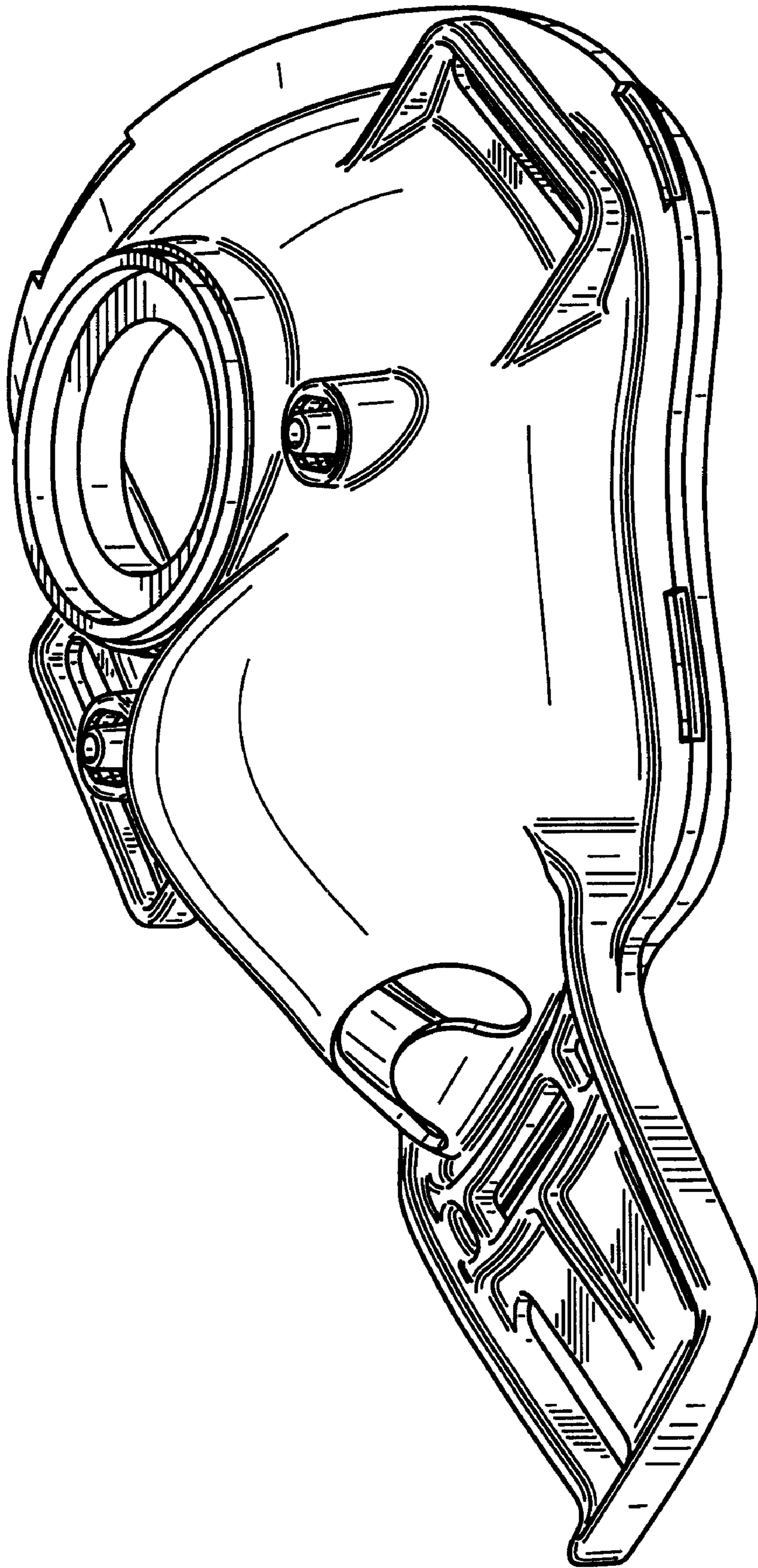


FIG. 1

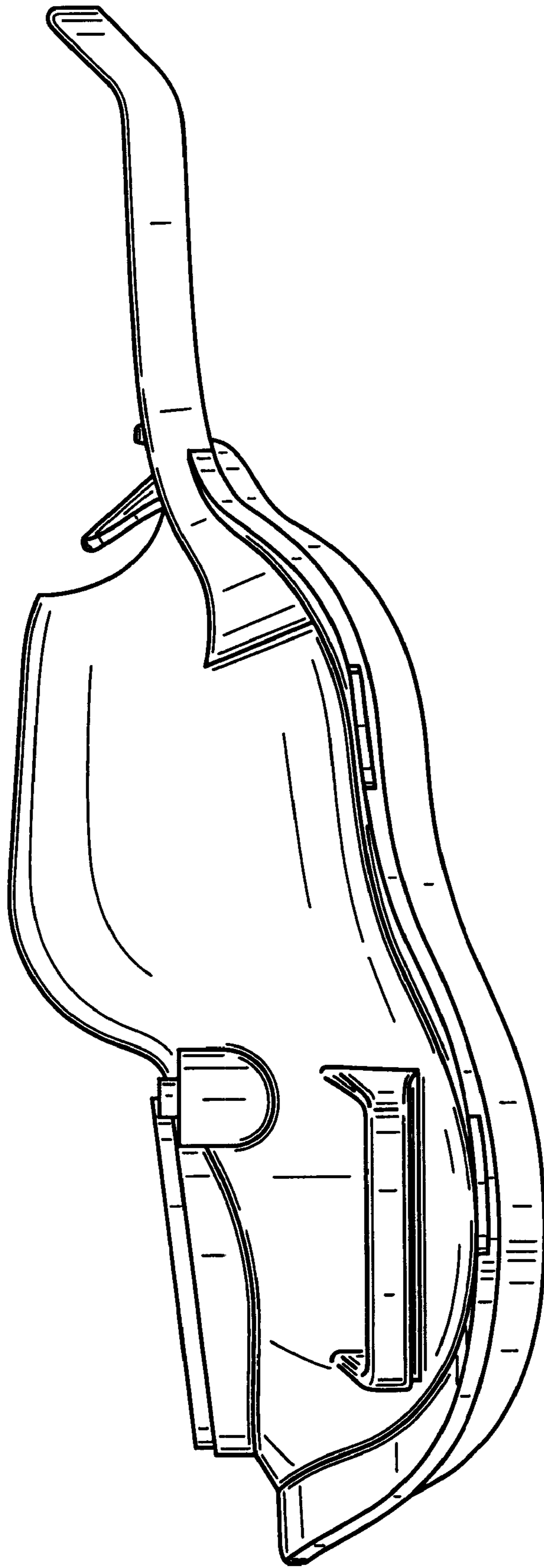


FIG. 2

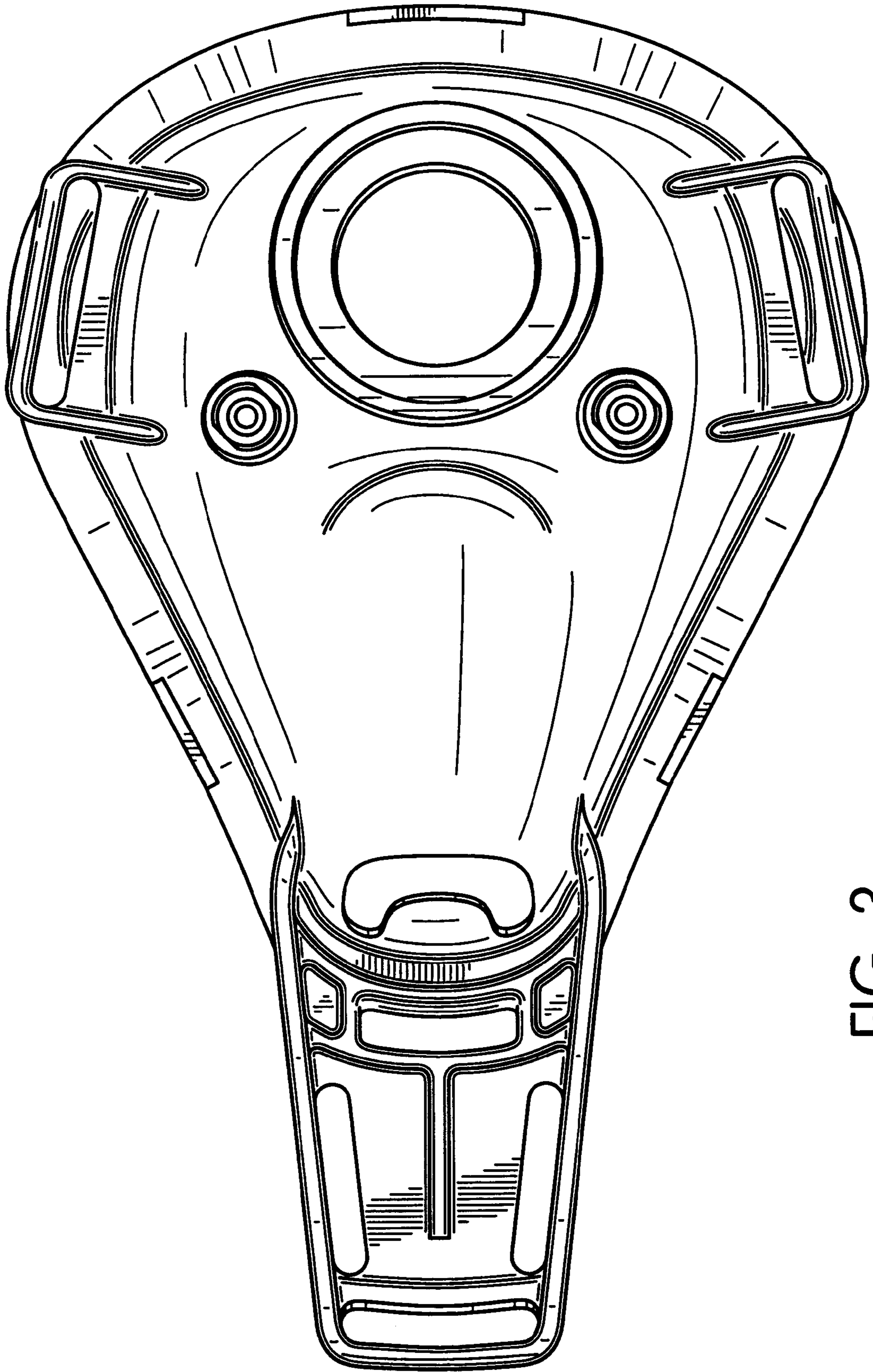


FIG. 3

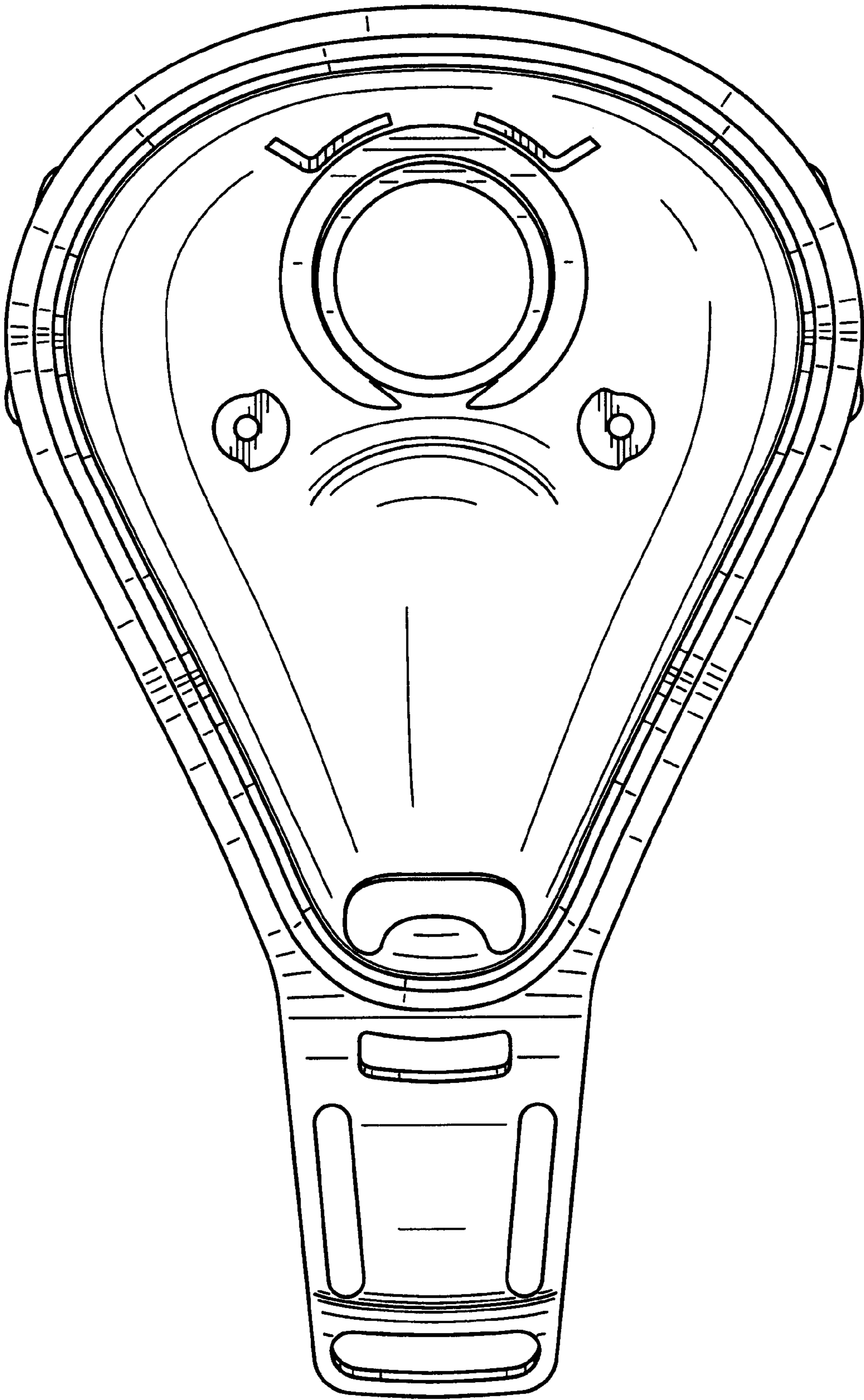


FIG. 4

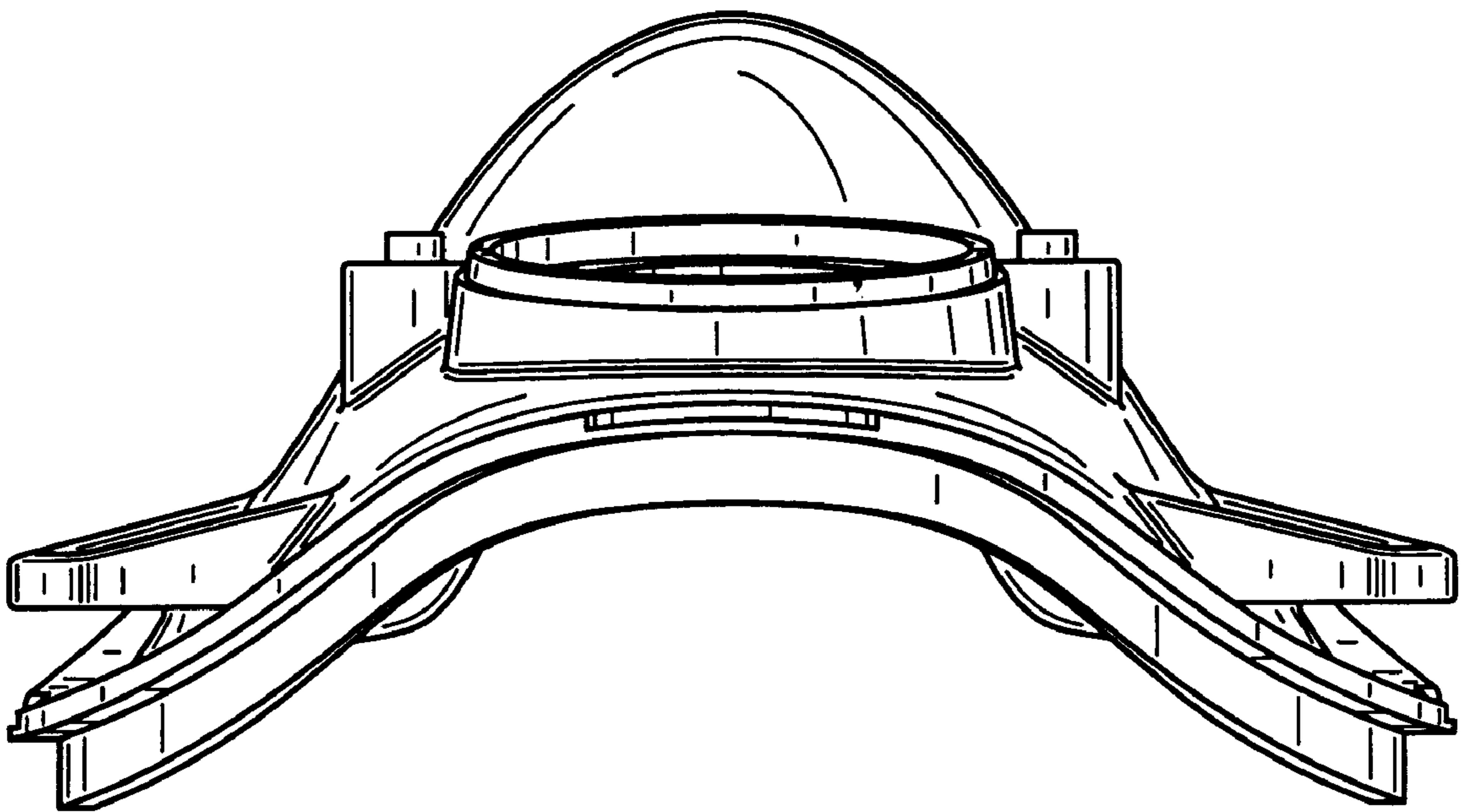


FIG. 5

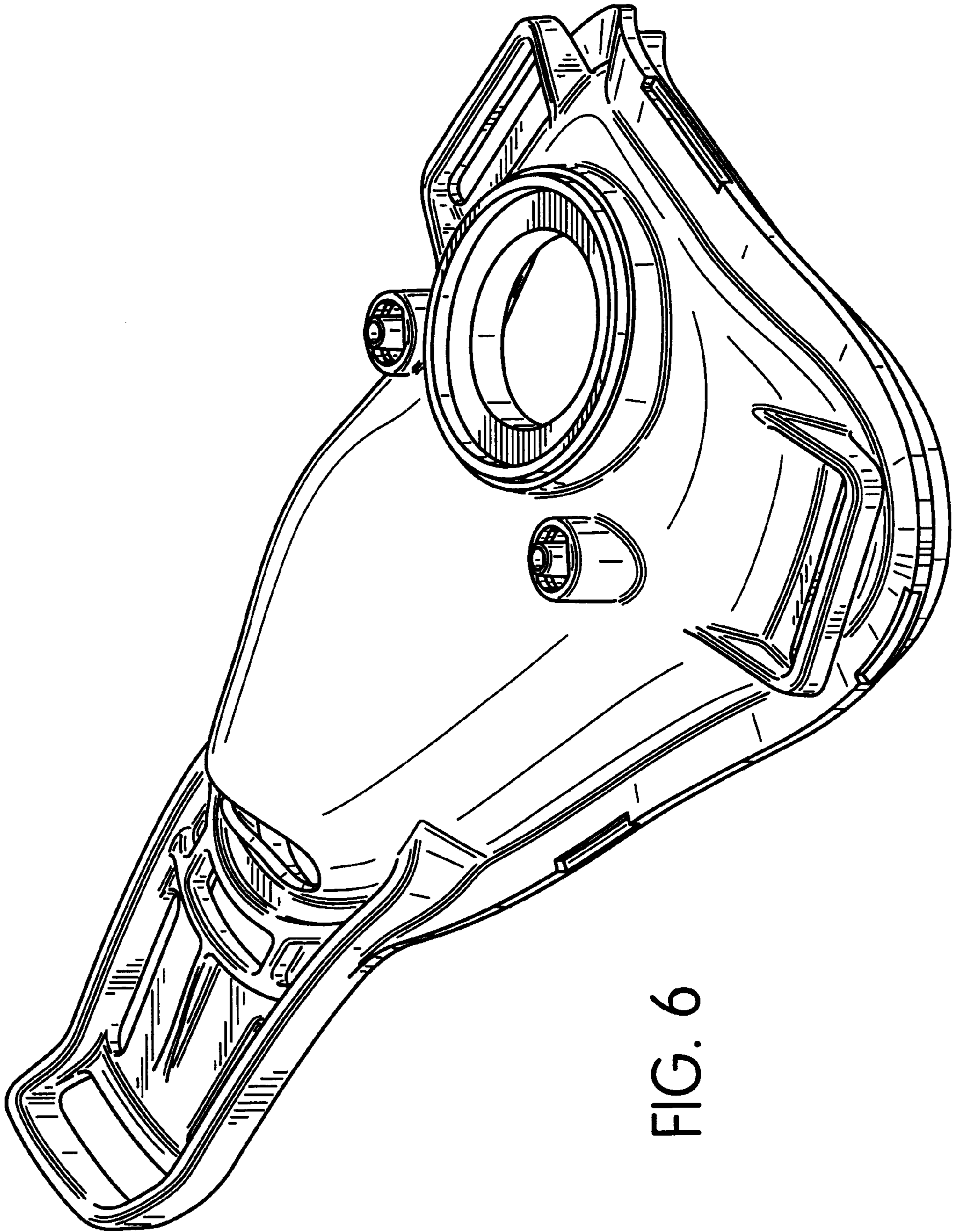


FIG. 6

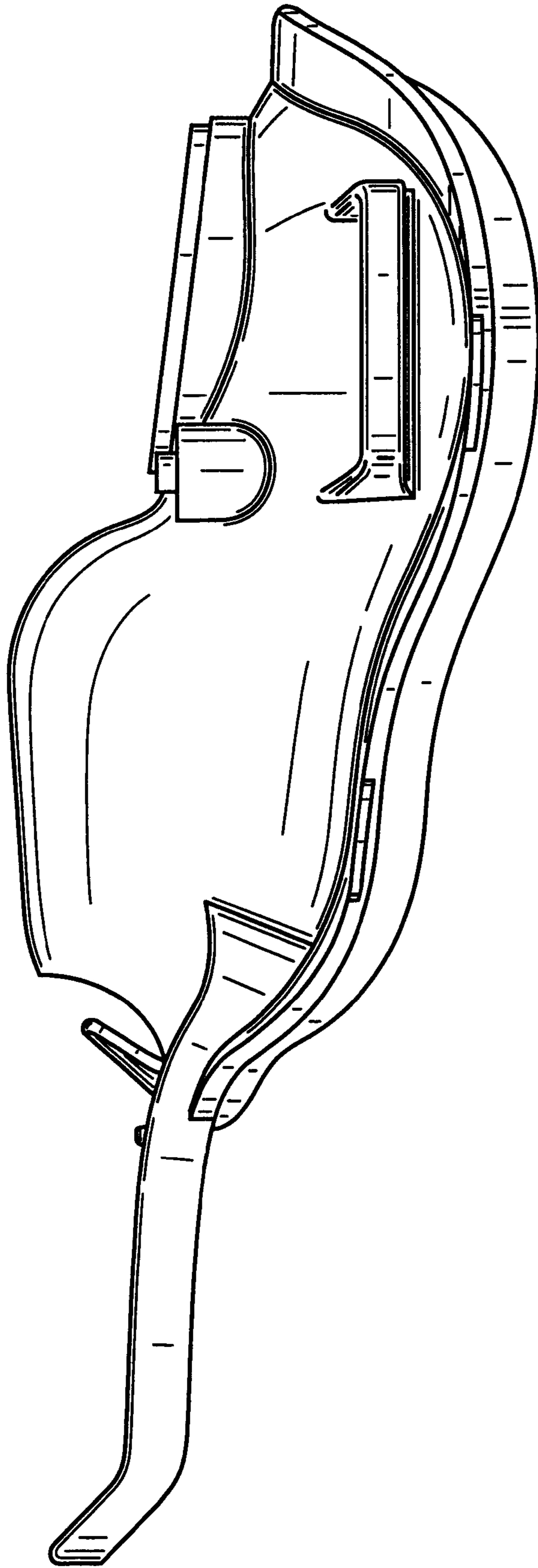


FIG. 7

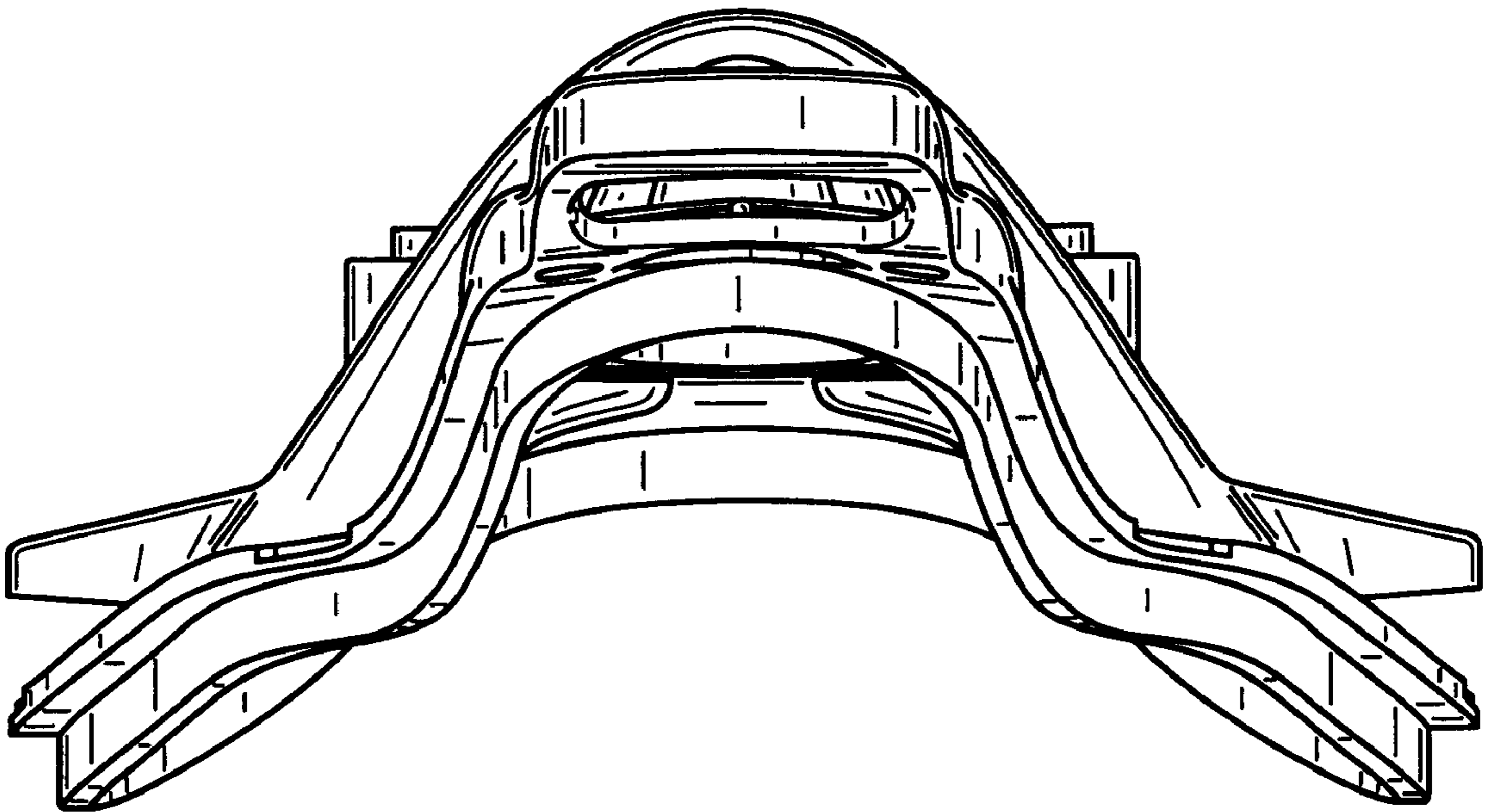


FIG. 8

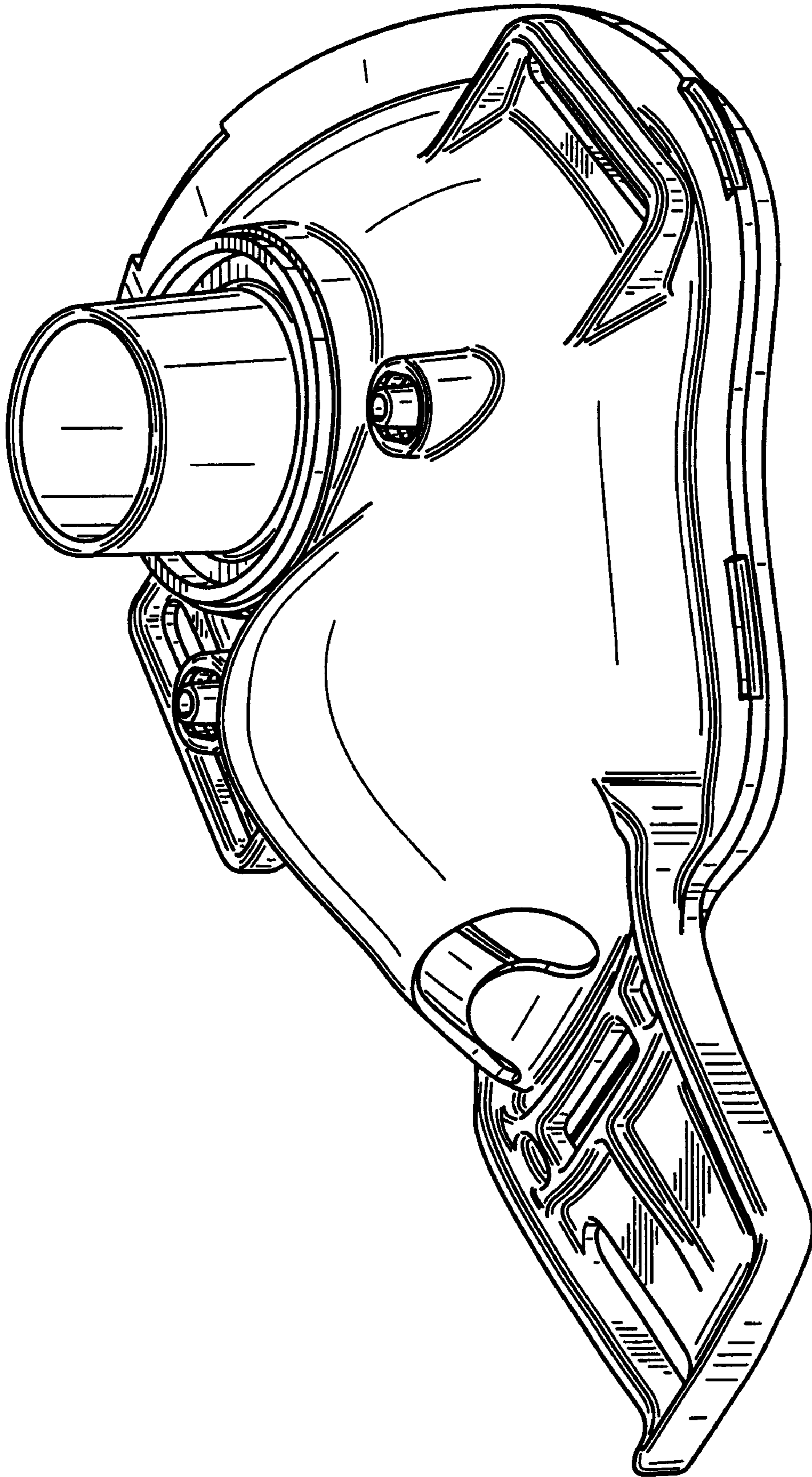


FIG. 9