



US00D464424S

(12) **United States Design Patent**
Campbell

(10) **Patent No.:** **US D464,424 S**

(45) **Date of Patent:** **** Oct. 15, 2002**

(54) **CEILING FAN MOTOR HOUSING**

D435,643 S * 12/2000 Williams D23/377

(75) Inventor: **Glennbruce S. Campbell**, Memphis, TN (US)

* cited by examiner

Primary Examiner—Lisa Lichtenstein

(73) Assignee: **Hunter Fan Company**, Memphis, TN (US)

(74) *Attorney, Agent, or Firm*—Baker, Donelson, Bearman & Caldwell

(**) Term: **14 Years**

(57) **CLAIM**

The ornamental design for a ceiling fan motor housing, as shown and described.

(21) Appl. No.: **29/153,337**

DESCRIPTION

(22) Filed: **Nov. 7, 2001**

FIG. 1 is a perspective view of the ceiling fan motor housing showing my new design.

(51) **LOC (7) Cl.** **23-04**

FIG. 2 is a top view thereof on a reduced scale.

(52) **U.S. Cl.** **D23/411**

FIG. 3 is a bottom view thereof on a reduced scale.

(58) **Field of Search** D23/411, 377, D23/379, 385; 416/5

FIG. 4 is a front view thereof, the rear view being the same thereof; and,

(56) **References Cited**

FIG. 5 is a right side view thereof, the left side view being the same thereof.

U.S. PATENT DOCUMENTS

The broken lines in FIGS. 1–5 show environmental features which are for illustrative purposes only and form no part of the claimed design.

D397,782 S * 9/1998 Gee, II D23/379

D434,491 S * 11/2000 Nourse D23/411

1 Claim, 3 Drawing Sheets

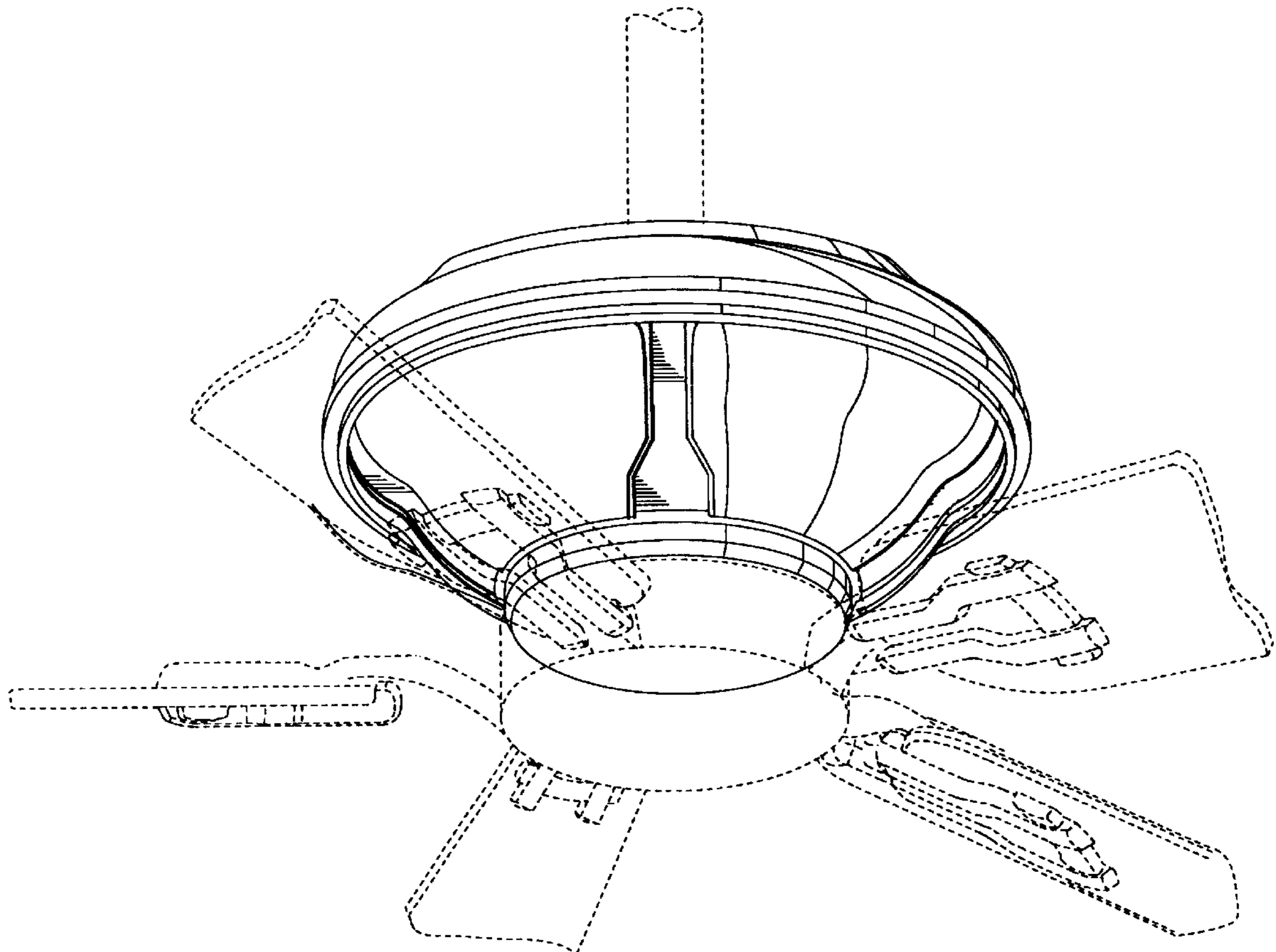


Fig. 1

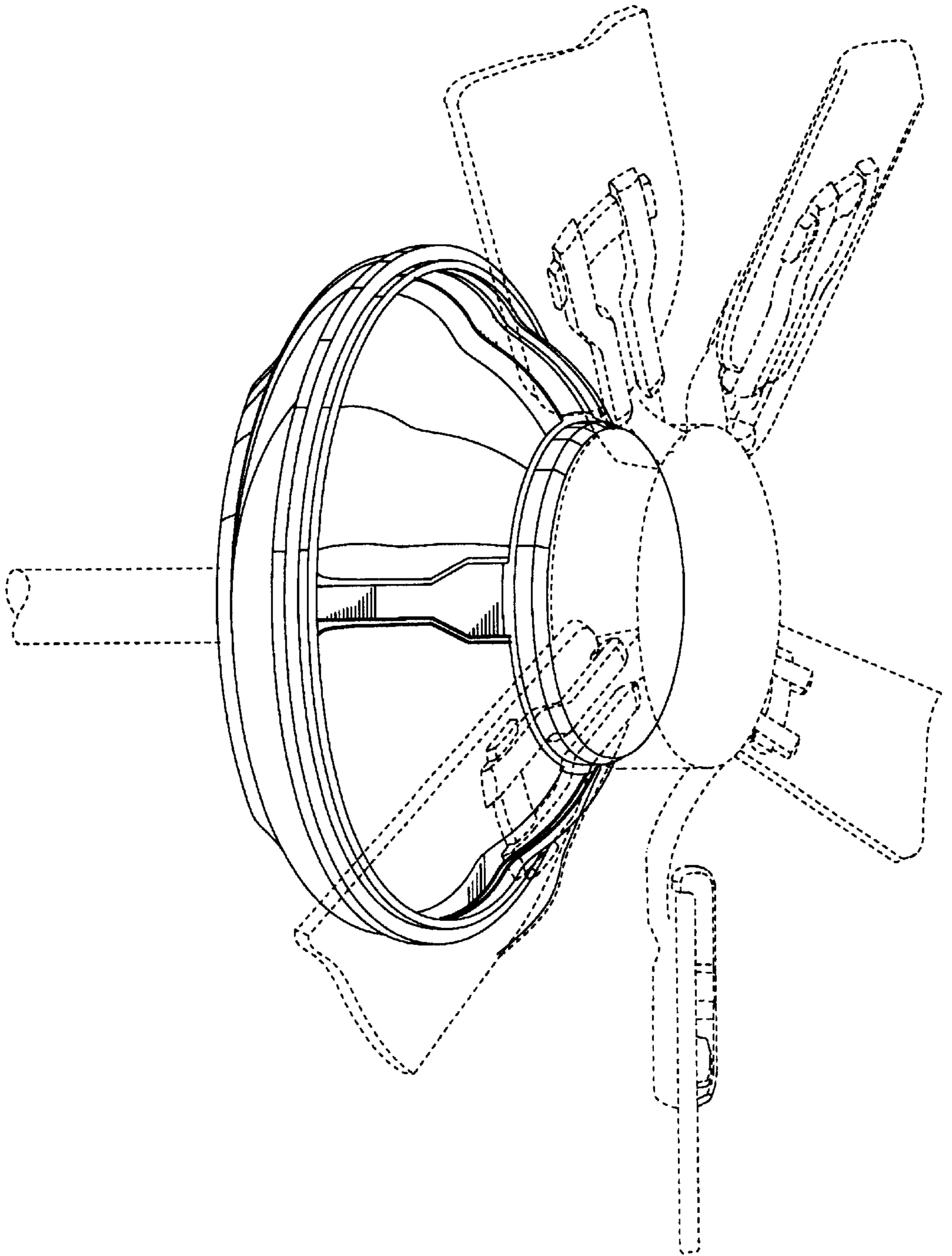


Fig. 2

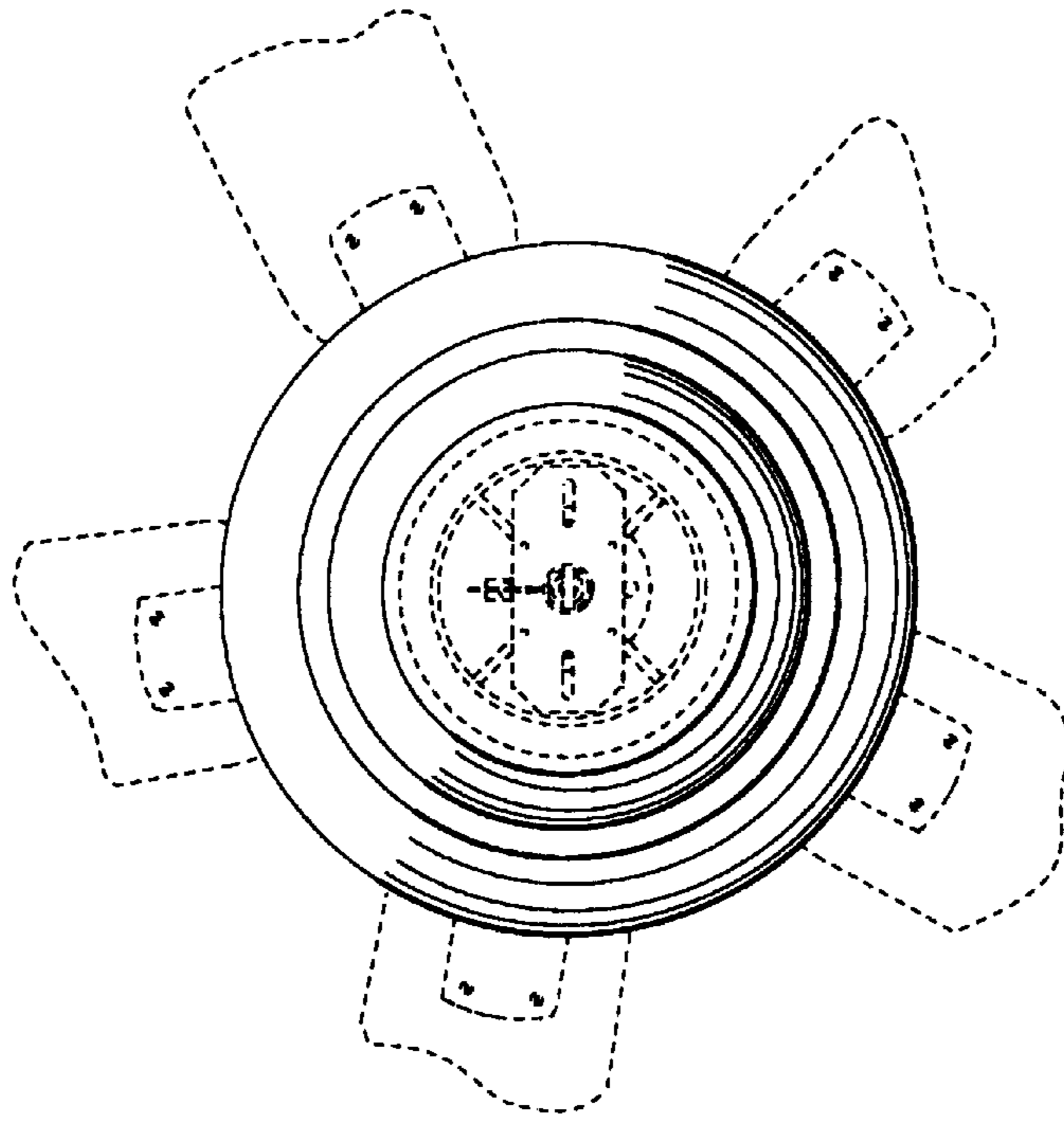


Fig. 3

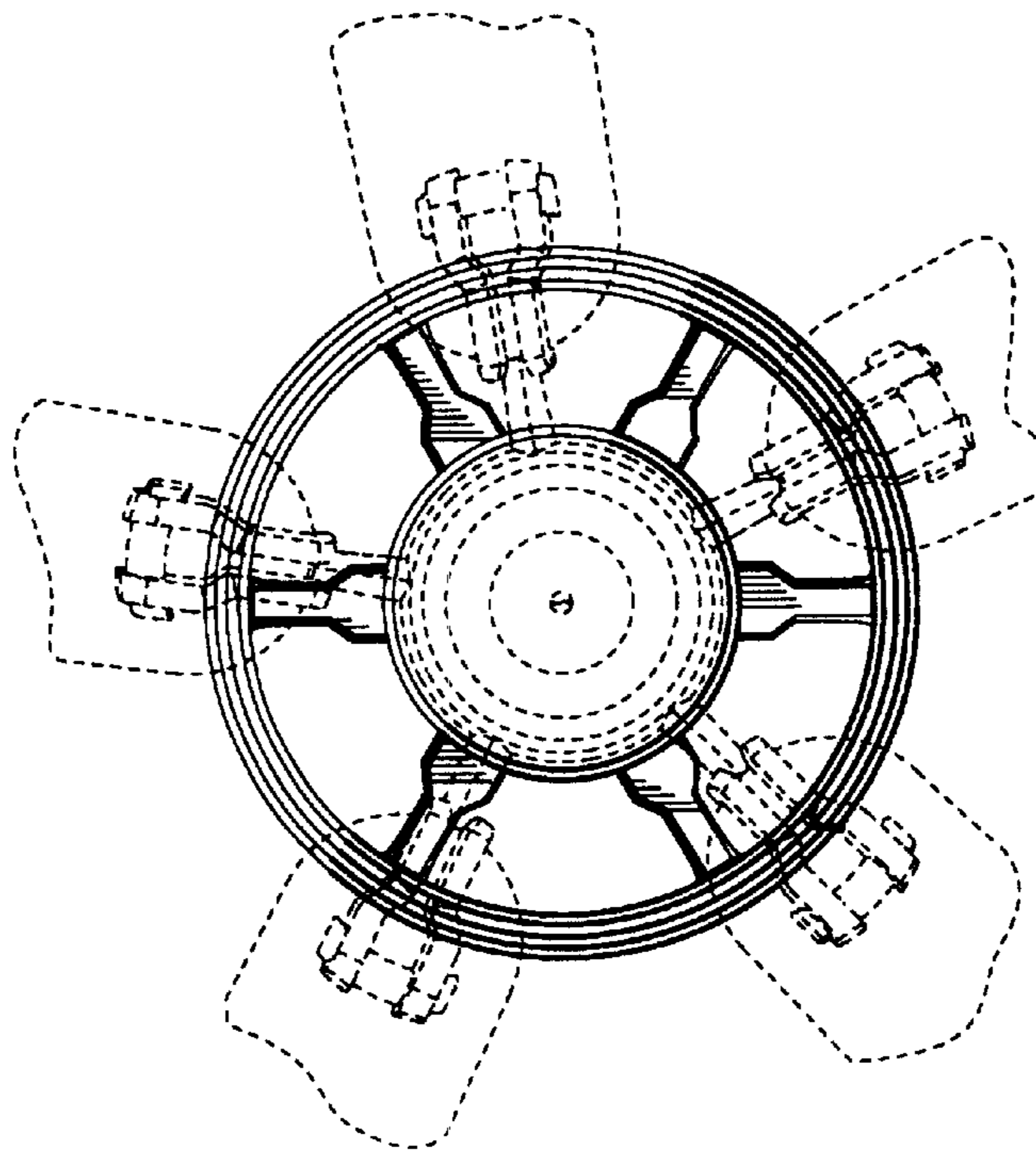


Fig. 4

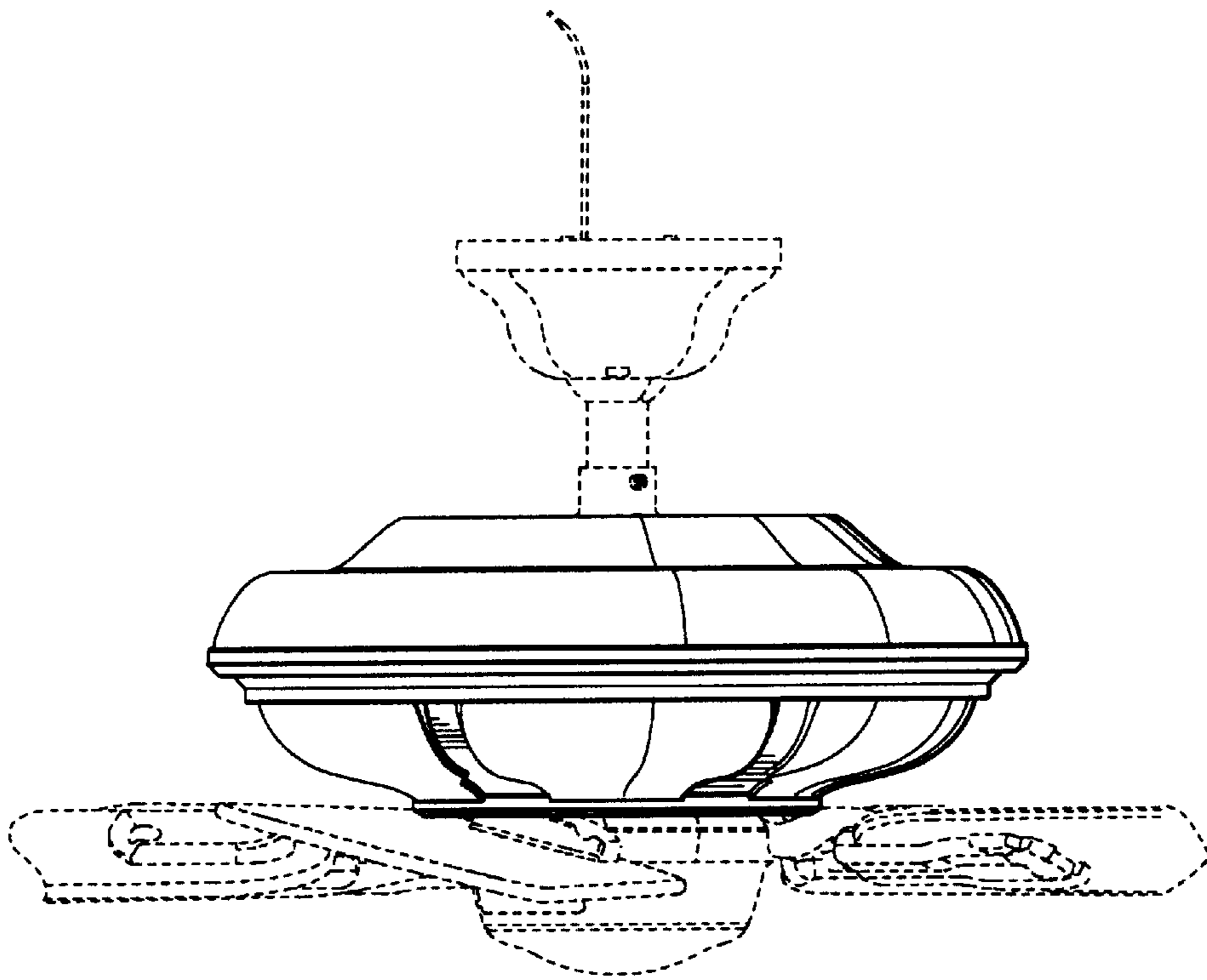


Fig. 5

