



US00D464420S

(12) **United States Design Patent**
Tolar

(10) **Patent No.:** **US D464,420 S**

(45) **Date of Patent:** **** Oct. 15, 2002**

(54) **PORTABLE BATTERY-POWERED NECK FAN**

(74) *Attorney, Agent, or Firm*—Donald R. Schoonover

(76) **Inventor:** **Rochelle Tolar**, 1164 Apple Blossom Ct., Raleigh, NC (US) 27606

(57) **CLAIM**

I claim the ornamental design for a portable battery-powered neck fan, as shown and described.

(**) **Term:** **14 Years**

DESCRIPTION

(21) **Appl. No.:** **29/152,883**

FIG. 1 is a perspective view of the portable battery-powered neck fan embodying the design of the present invention.

(22) **Filed:** **Jan. 3, 2002**

FIG. 2 is a front elevational view thereof;

(51) **LOC (7) Cl.** **23-04**

FIG. 3 is a rear elevational view thereof;

(52) **U.S. Cl.** **D23/382**

FIG. 4 is a left side elevational view thereof;

(58) **Field of Search** D23/370, 381, D23/382, 332; 224/172, 163, 258; 416/63, 146 R, 5; 417/234; 63/1.1, 2; D11/2; 362/108

FIG. 5 is a right side elevational view thereof;

FIG. 6 is a top plan view thereof;

FIG. 7 is a bottom plan view thereof; and,

FIG. 8 is a perspective view of the portable battery-powered neck fan in use.

(56) **References Cited**

U.S. PATENT DOCUMENTS

D345,599 S * 3/1994 Williams, Jr. D23/382
5,304,035 A * 4/1994 Carter 224/258

The broken line showing of environmental structure is for illustrative purposes only and forms no part of the claimed design.

The neck strap and the waste strap shown in FIG. 1-7 have been shown broken away to indicate indeterminate length.

* cited by examiner

Primary Examiner—Lisa Lichtenstein

1 Claim, 4 Drawing Sheets

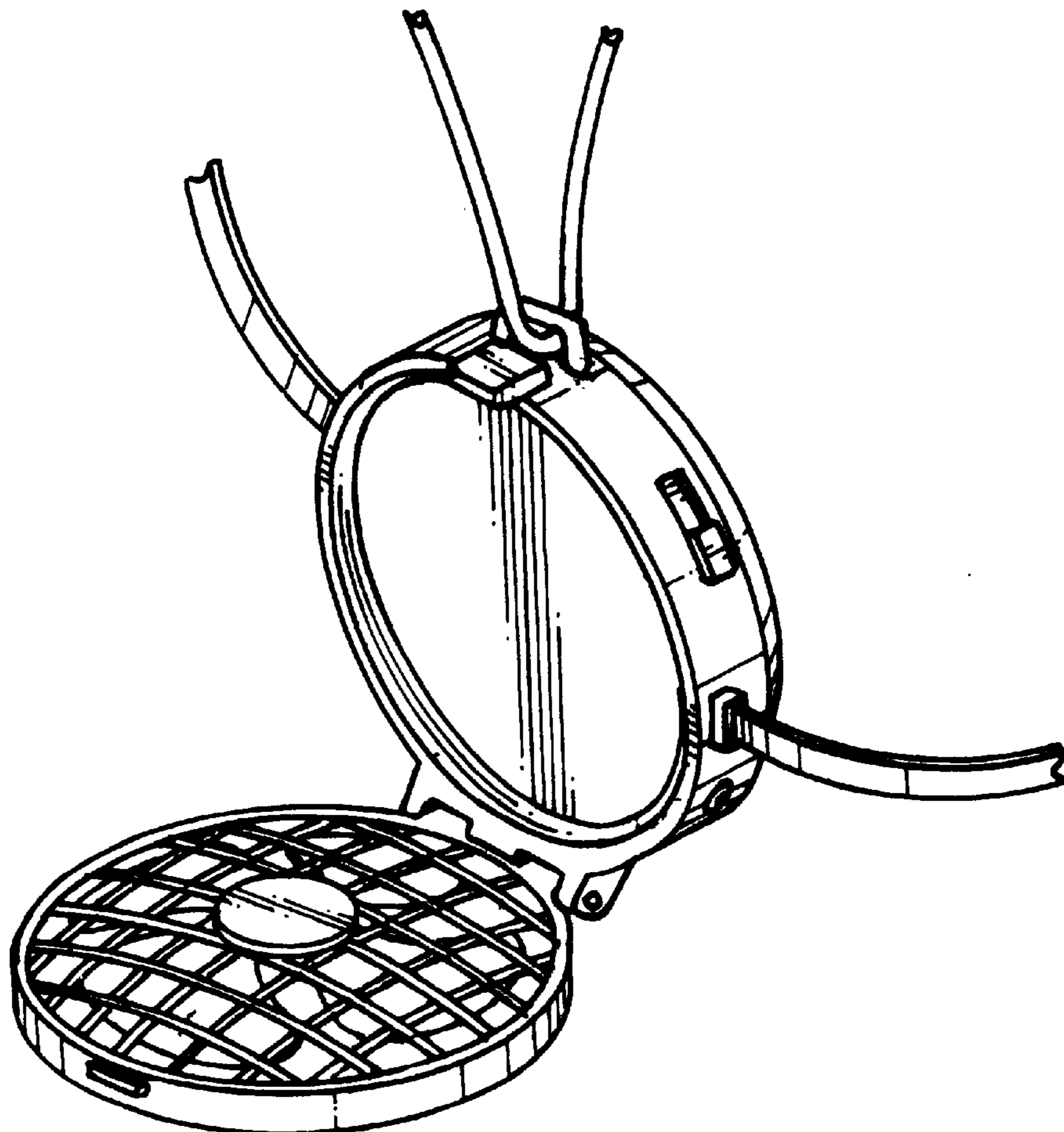


FIG. 8.

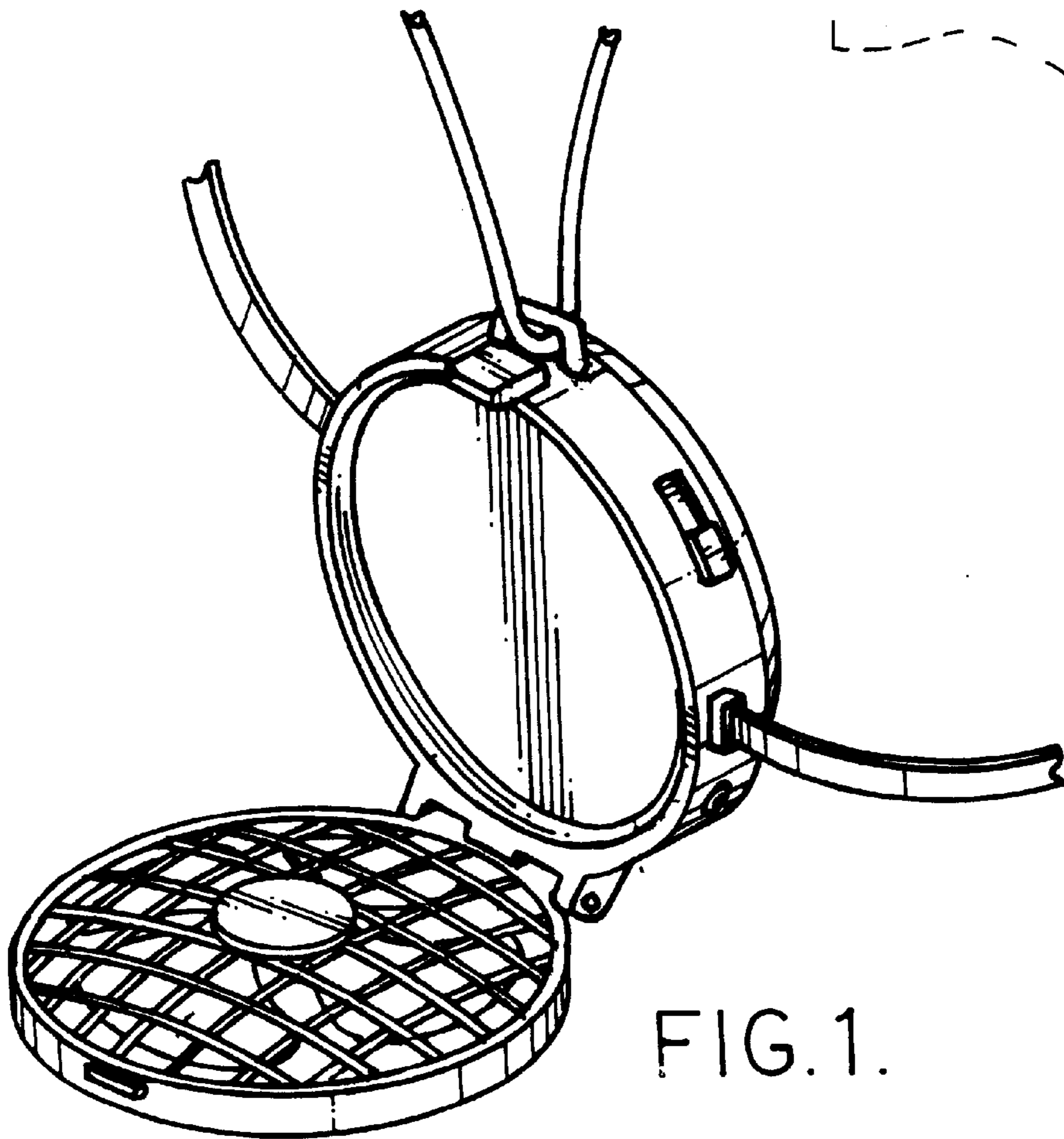
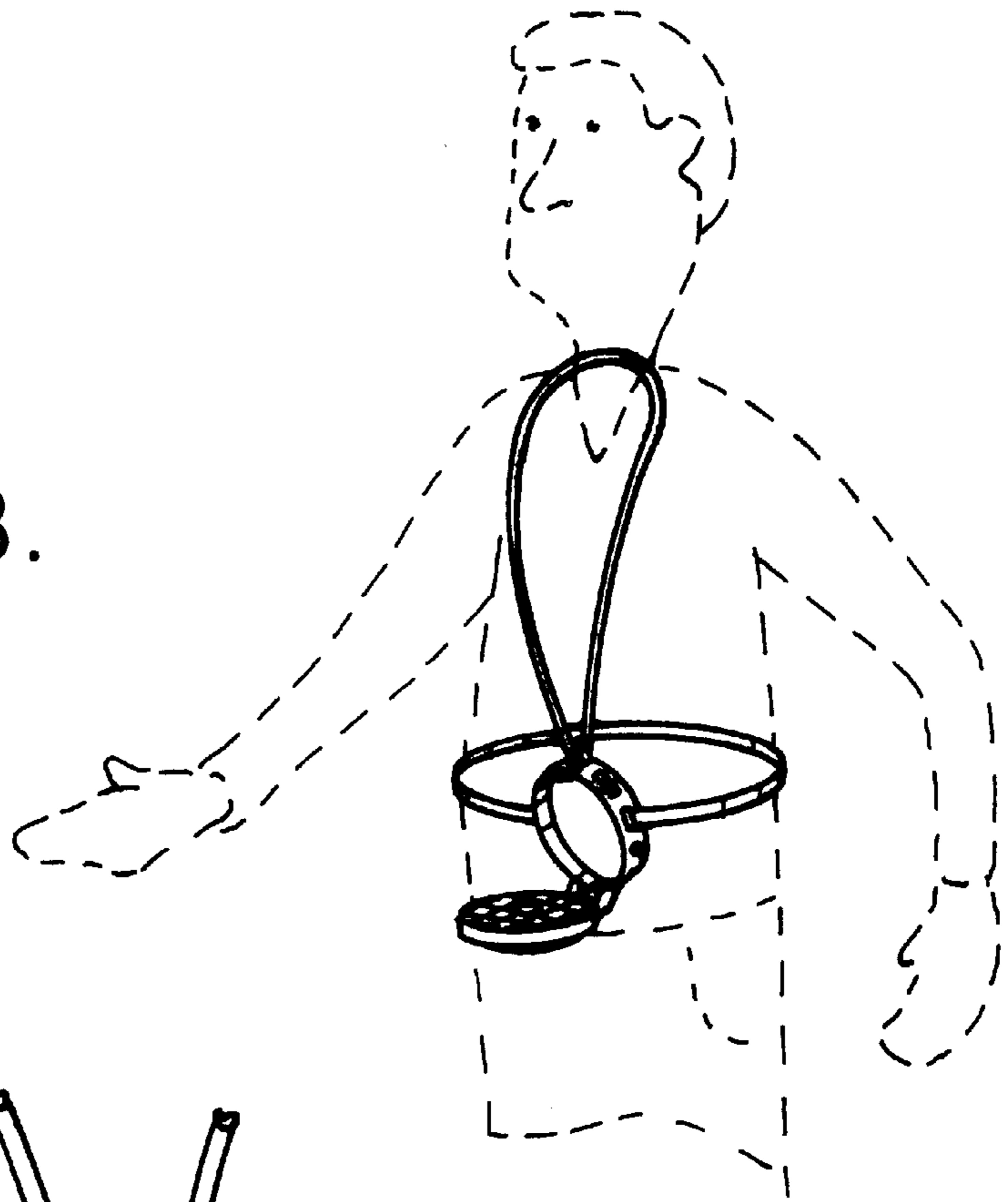


FIG. 1.

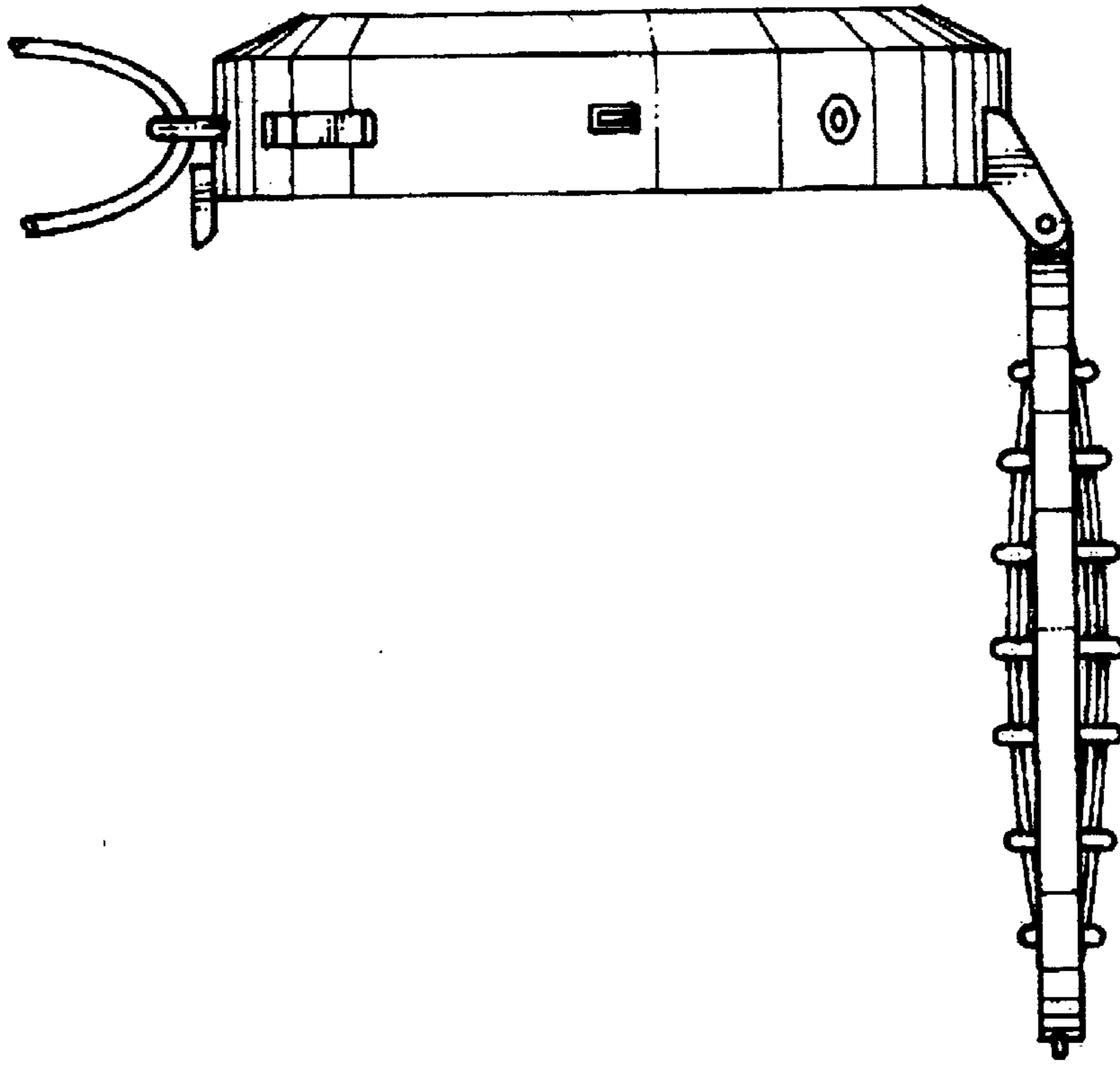


FIG. 4.

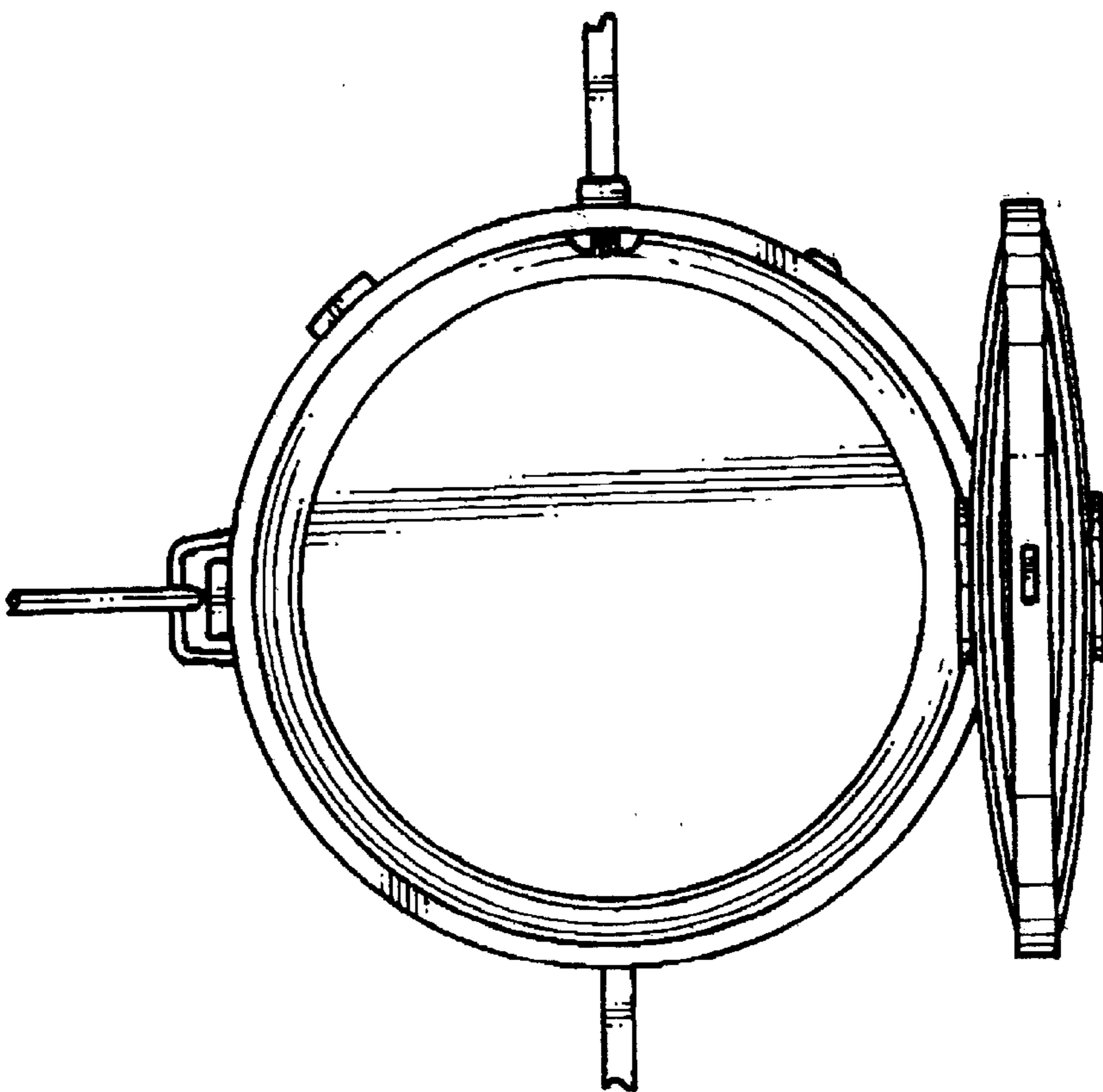


FIG. 2.

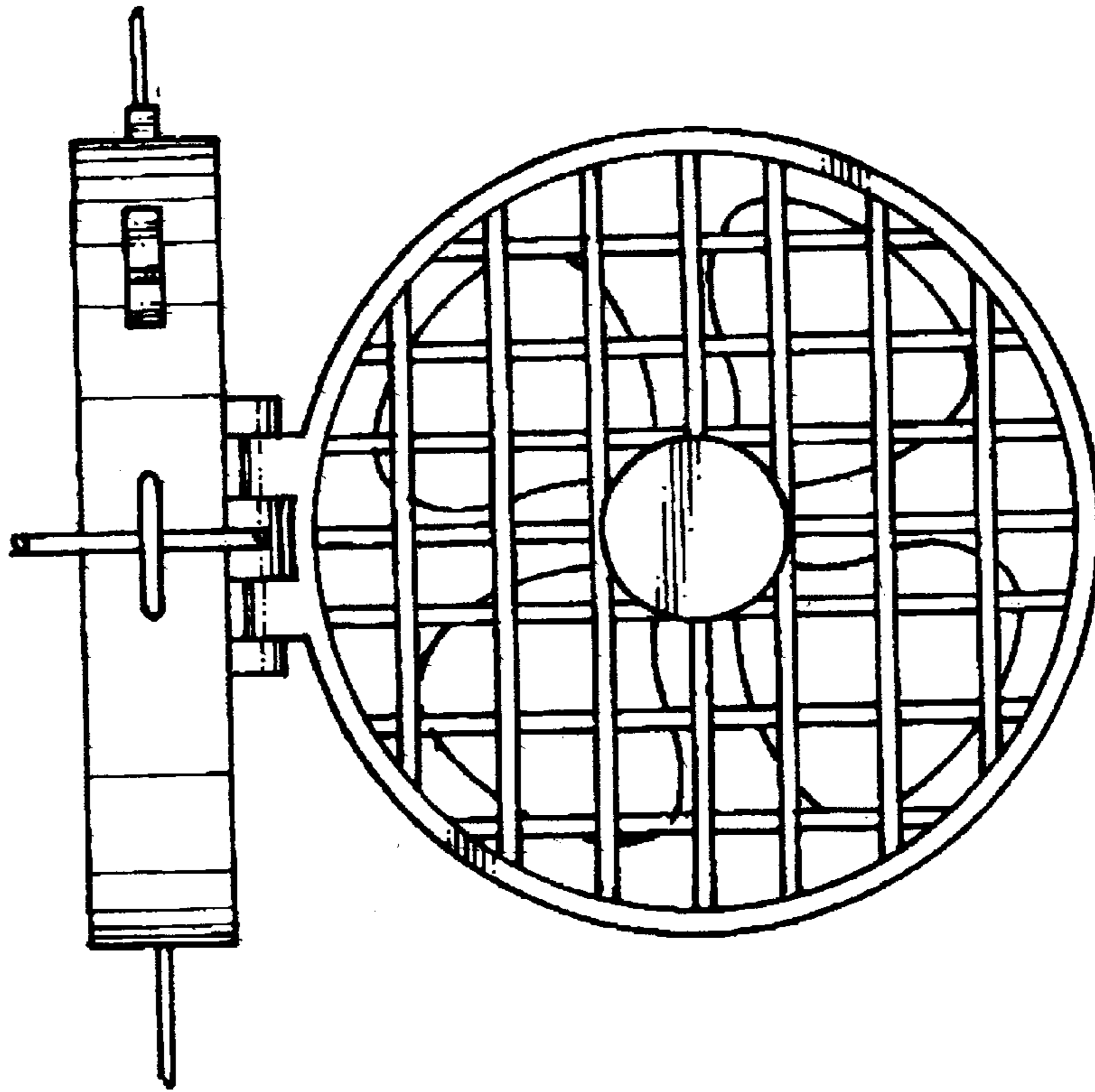


FIG. 6.

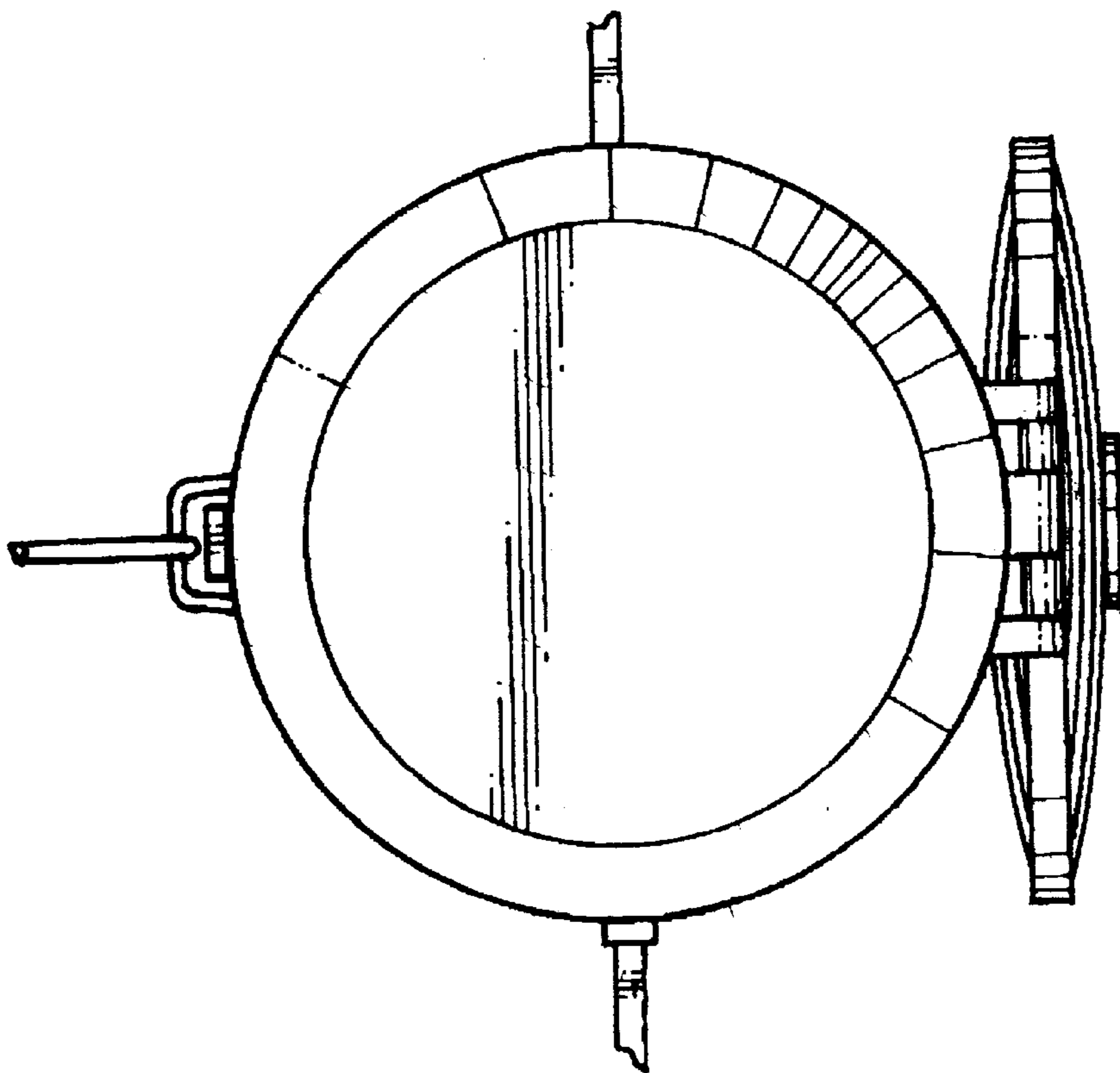


FIG. 3.

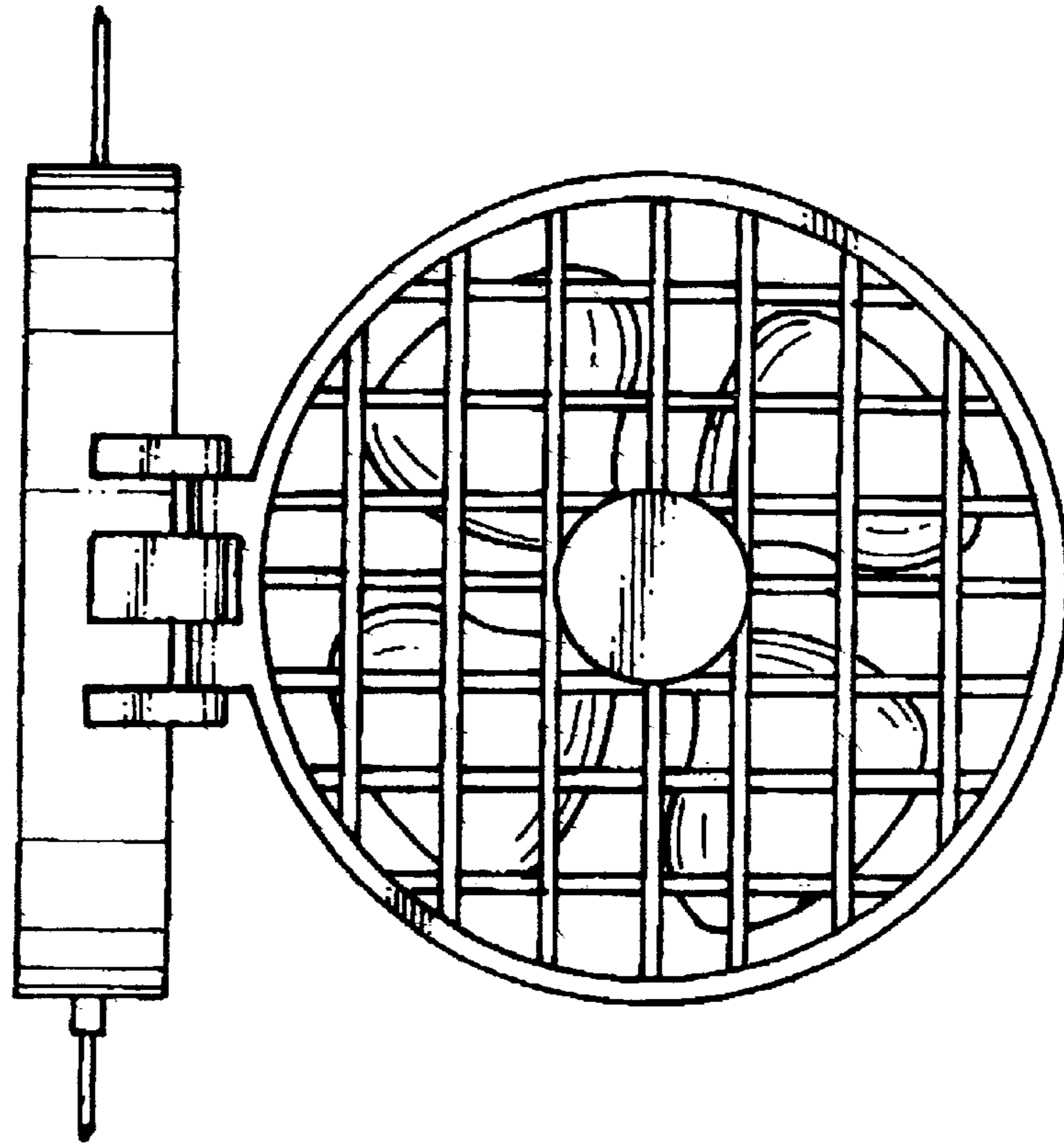


FIG. 7.

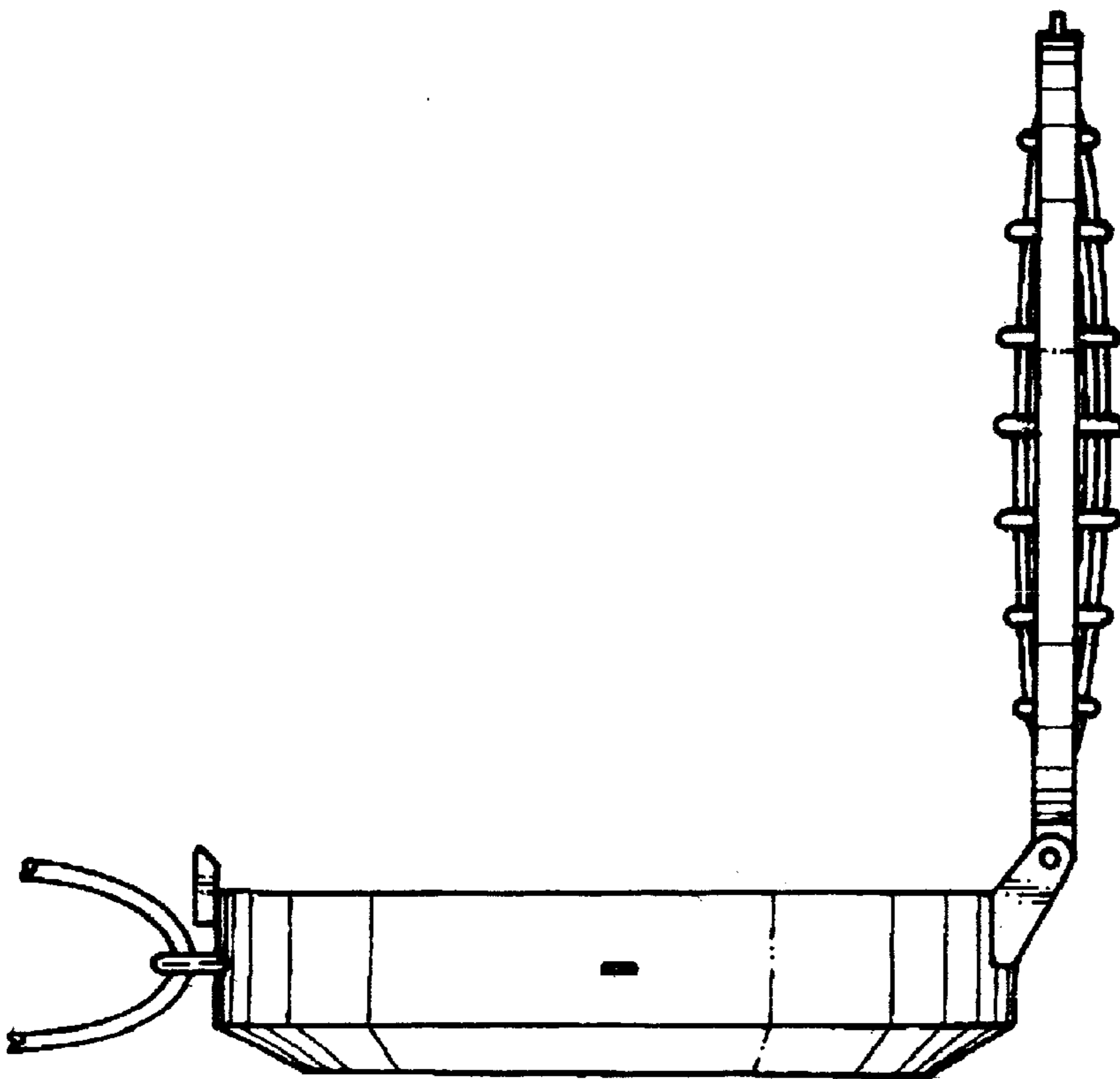


FIG. 5.