



US00D464419S

(12) **United States Design Patent**
Nilsson

(10) **Patent No.:** **US D464,419 S**

(45) **Date of Patent:** **** Oct. 15, 2002**

(54) **SUCTION HOOD**

(75) Inventor: **Marie Nilsson**, Helsingborg (SE)

(73) Assignee: **AB PH. Nederman & Co.**,
Helsingborg (SE)

(**) Term: **14 Years**

(21) Appl. No.: **29/155,656**

(22) Filed: **Feb. 13, 2002**

(30) **Foreign Application Priority Data**

Aug. 15, 2001 (SE) 01-1328

(51) **LOC (7) Cl.** **23-04**

(52) **U.S. Cl.** **D23/371**

(58) **Field of Search** D23/371, 370;
454/59, 64, 65

(56) **References Cited**

U.S. PATENT DOCUMENTS

3,366,141 A * 1/1968 Foster 137/625.31

4,782,742 A * 11/1988 Yott et al. 454/152
5,921,277 A * 7/1999 Bernal 137/315.24

* cited by examiner

Primary Examiner—Lisa Lichtenstein

(74) *Attorney, Agent, or Firm*—Tarolli, Sundheim, Covell,
Tummino & Szabo L.L.P.

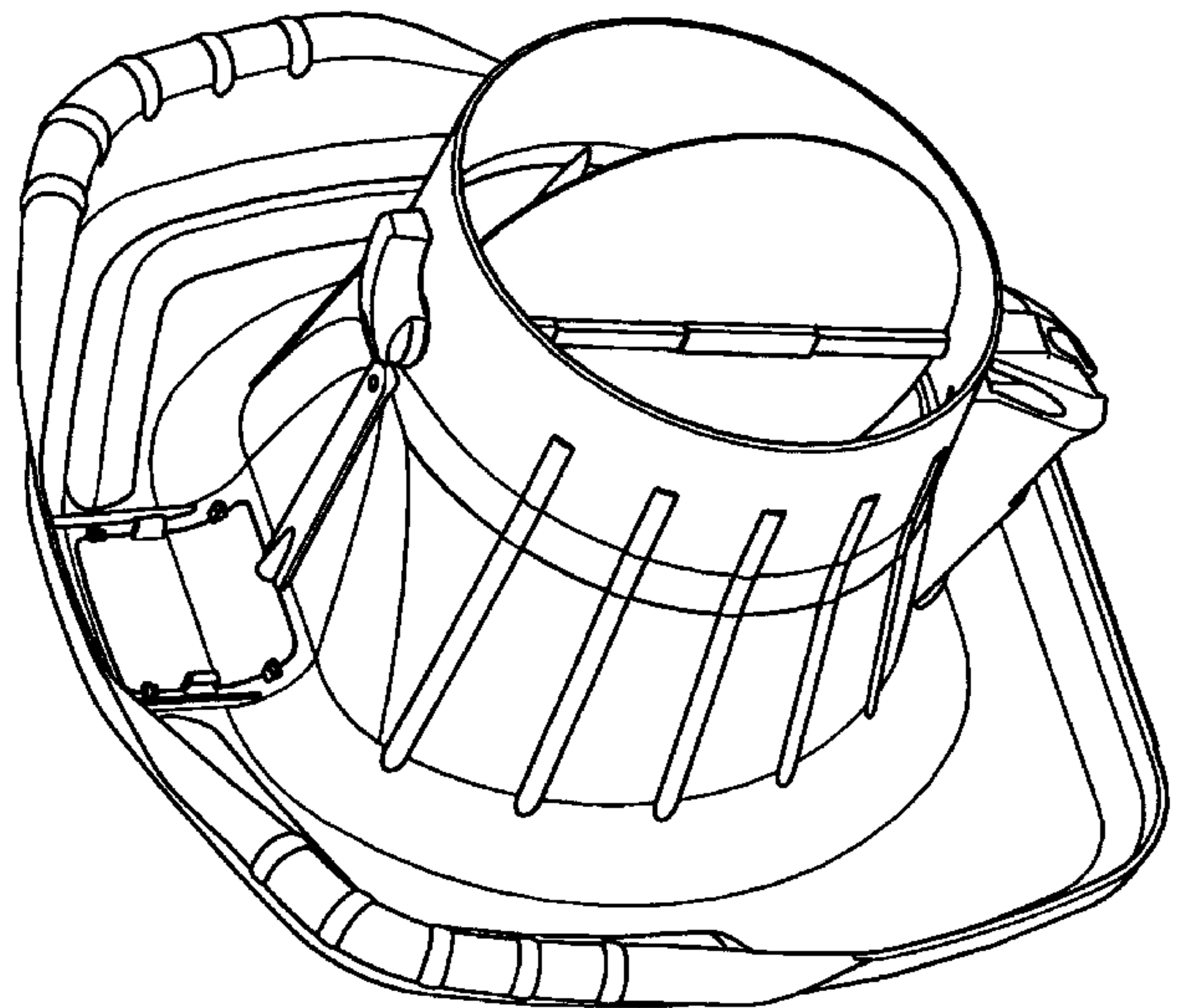
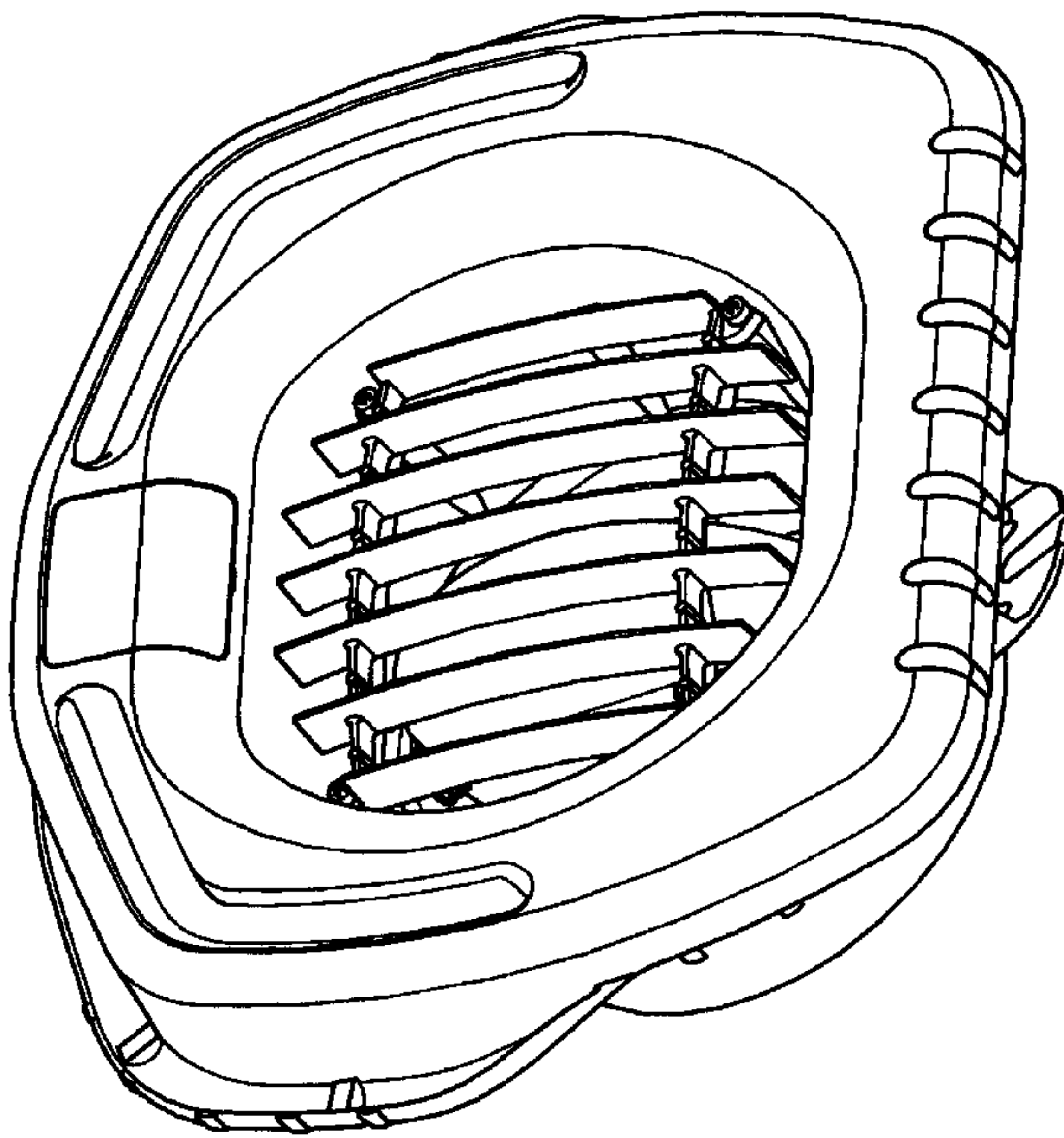
(57) **CLAIM**

The ornamental design for a suction hood, as shown and described.

DESCRIPTION

FIG. 1 is a perspective view of the suction hood;
FIG. 2 is another perspective view of the suction hood;
FIG. 3 is a side elevational view of the suction hood;
FIG. 4 is a side elevational view of the opposite side of the suction hood;
FIG. 5 is a front elevational view of the suction hood;
FIG. 6 is a rear elevational view of the suction hood;
FIG. 7 is a top plan view of the suction hood; and,
FIG. 8 is a bottom plan view of the suction hood.

1 Claim, 8 Drawing Sheets



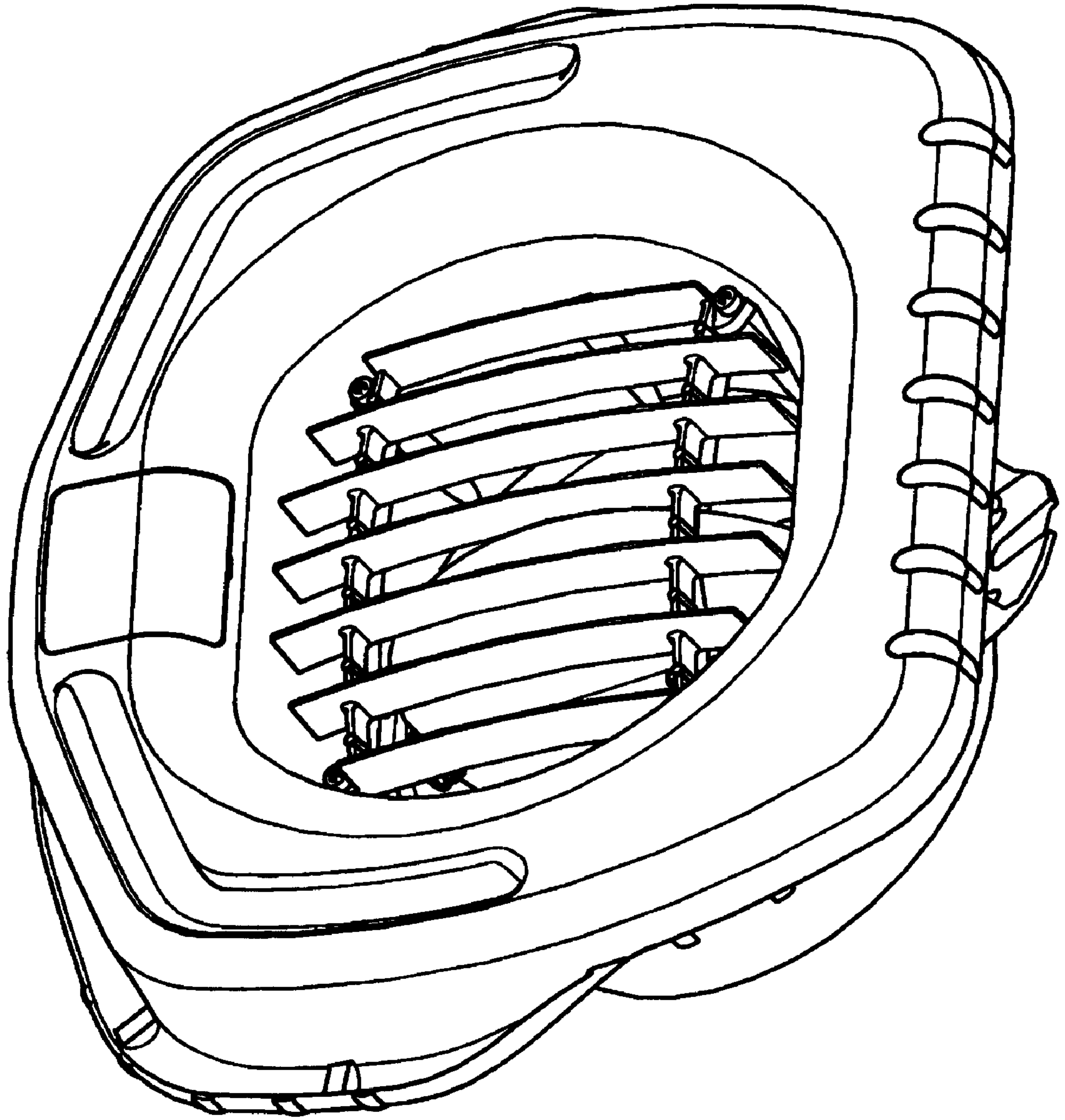


Fig.1

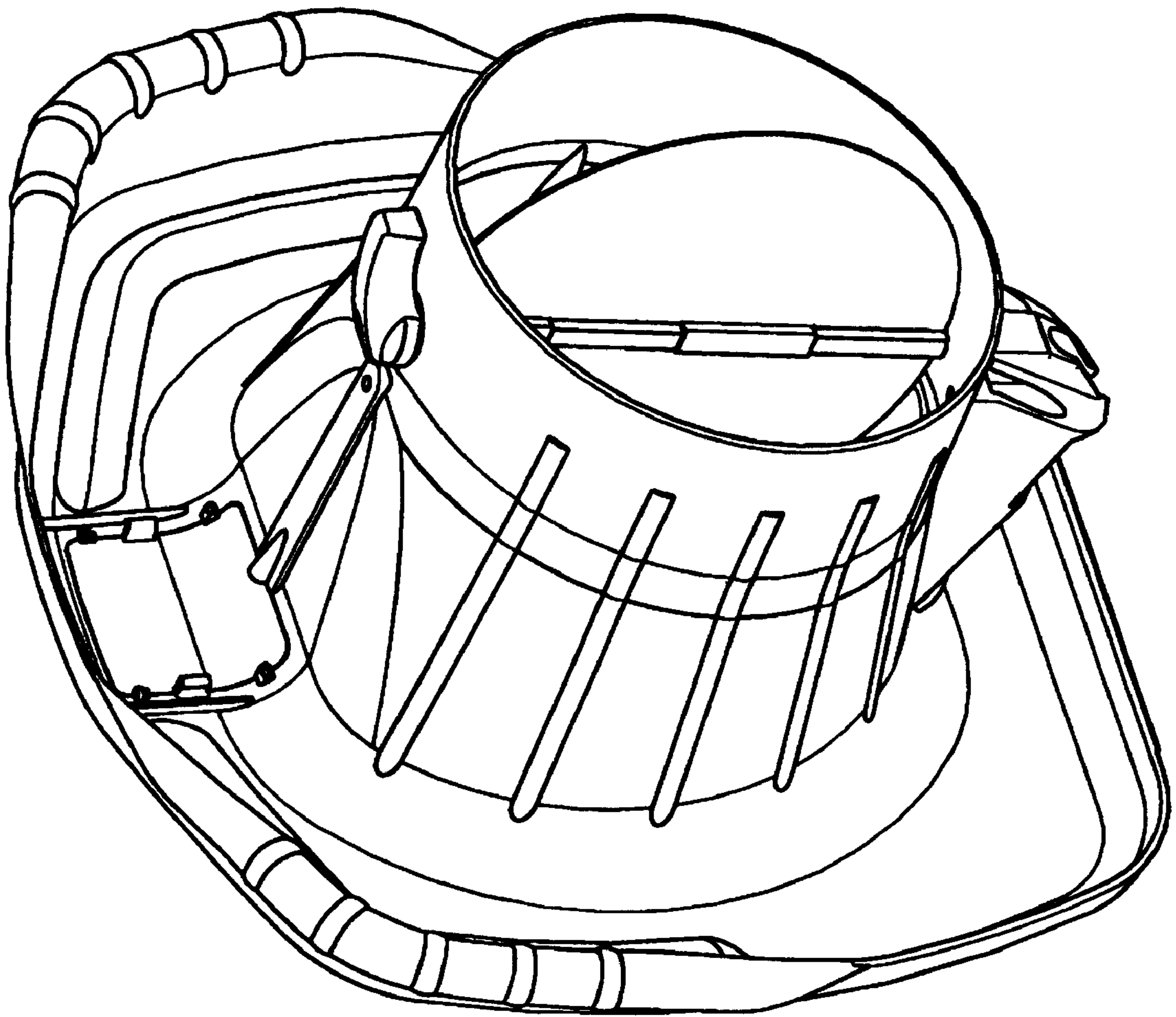


Fig.2

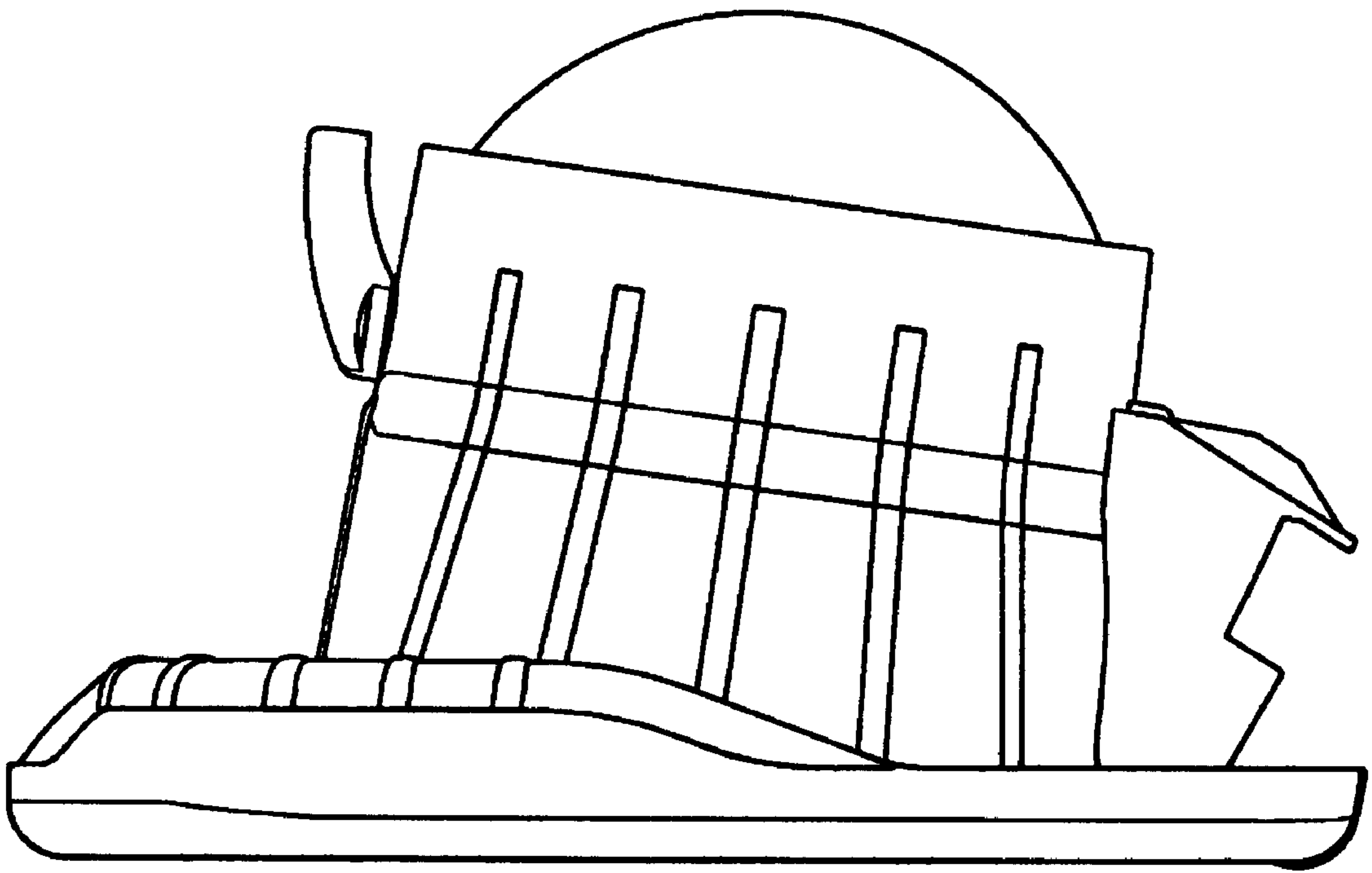


Fig.3

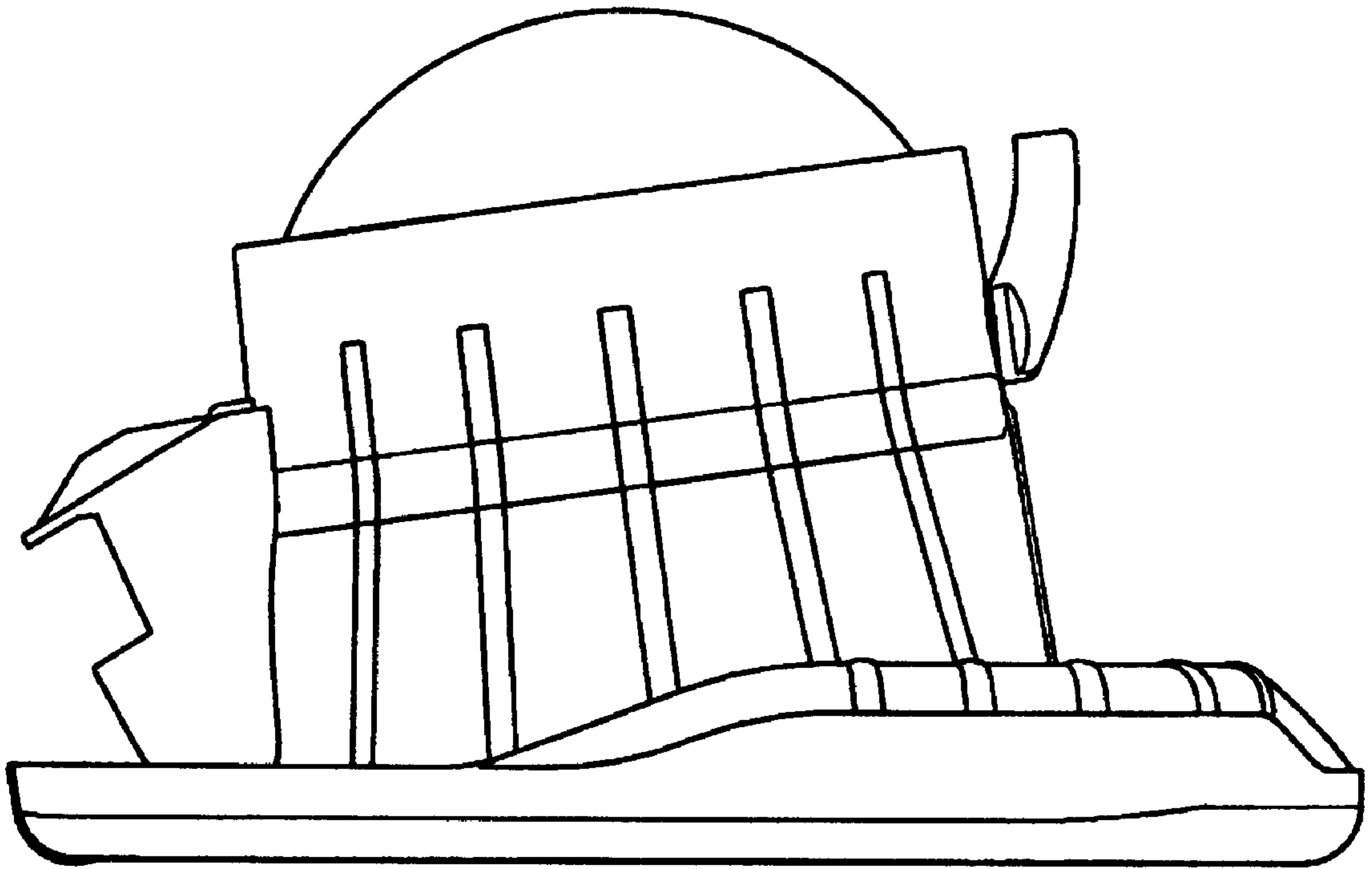


Fig.4

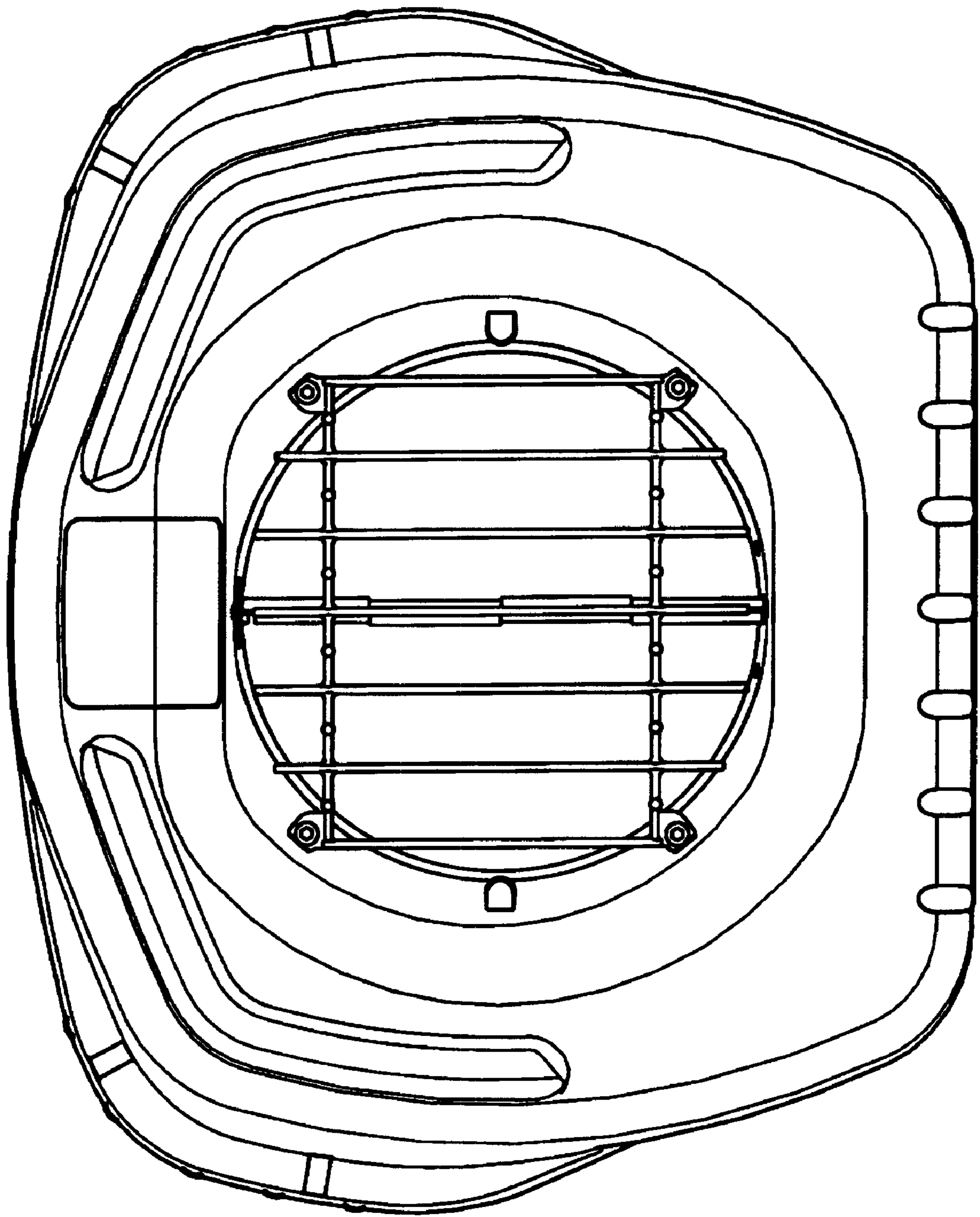


Fig.5

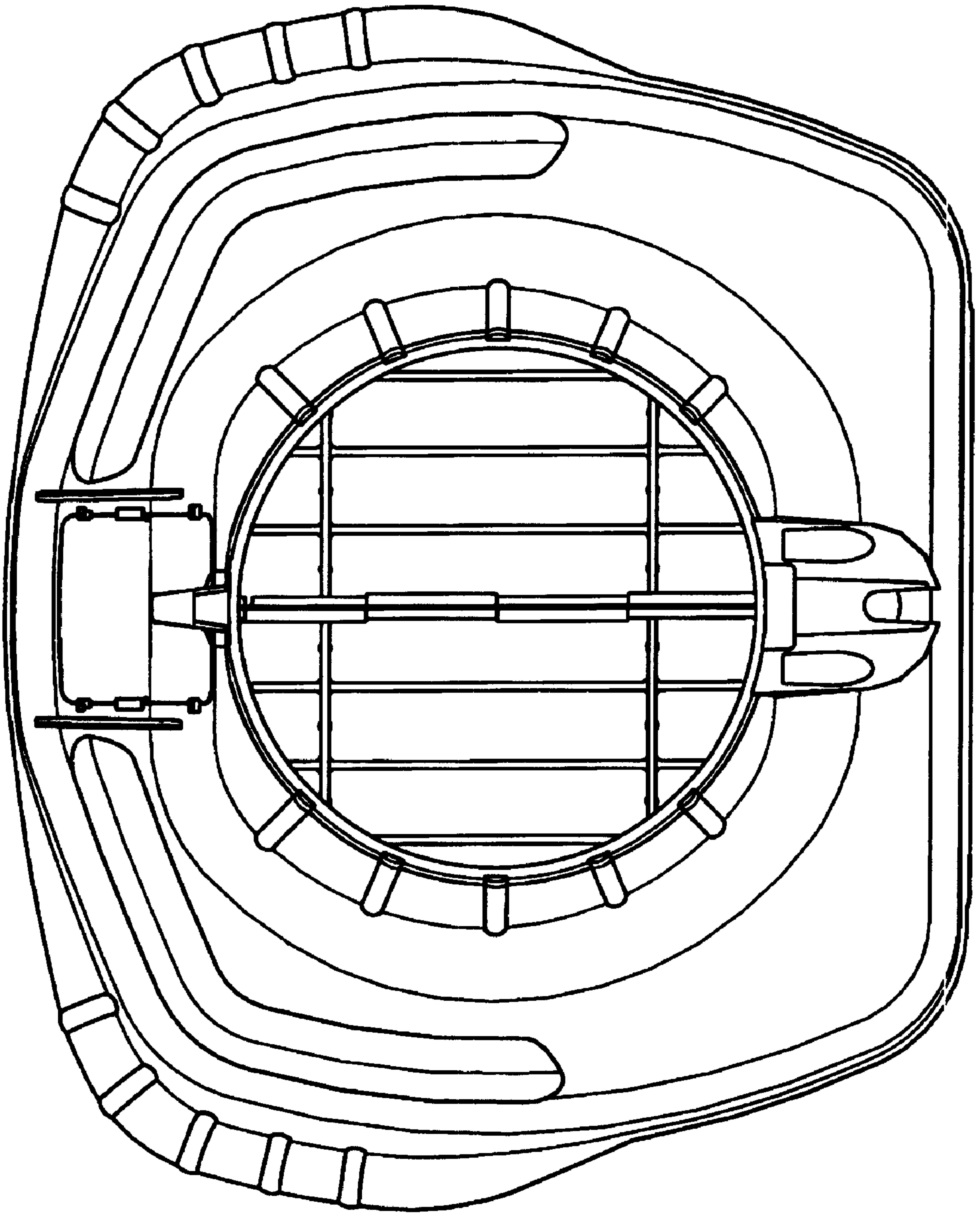


Fig.6

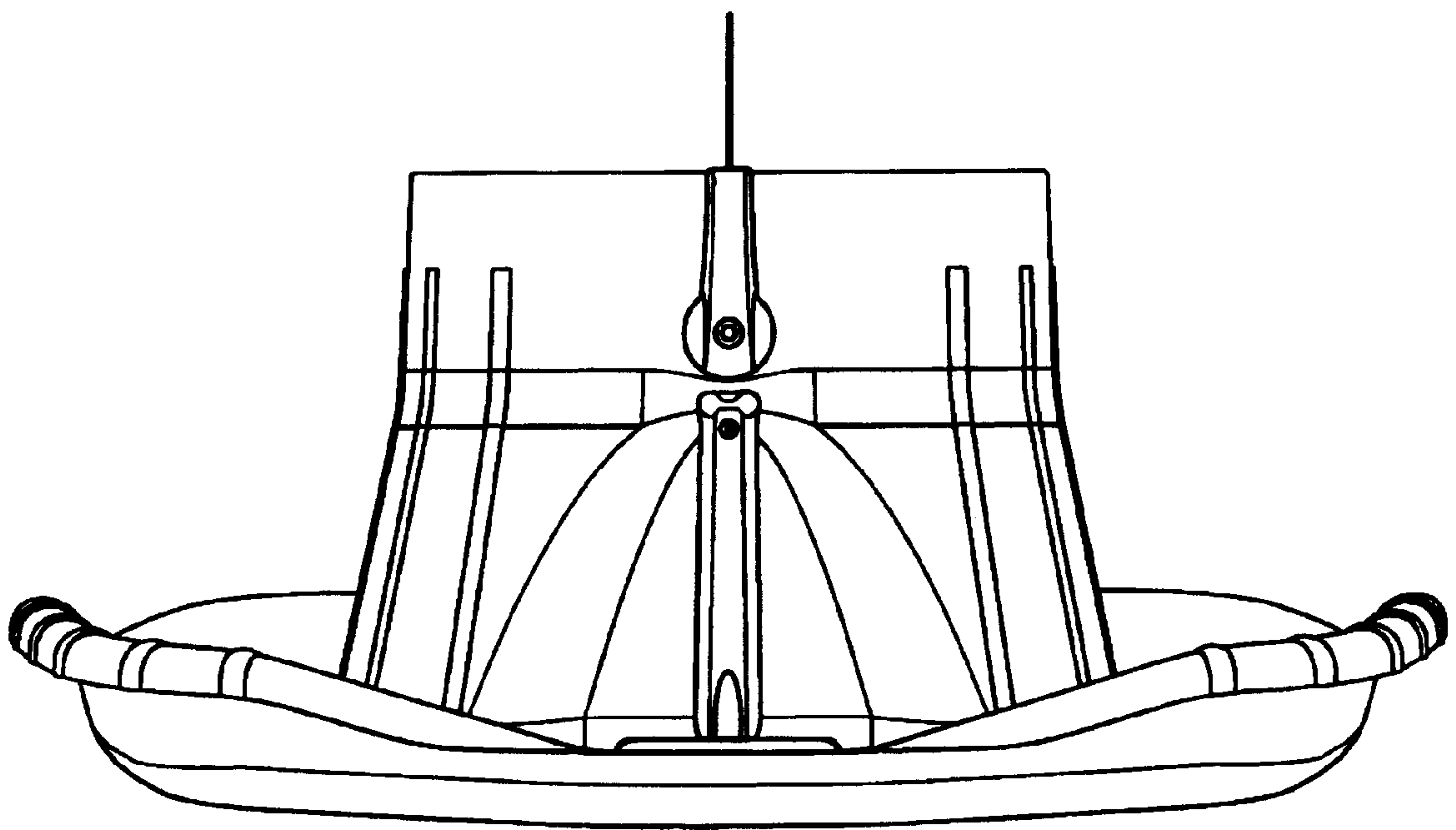


Fig.7

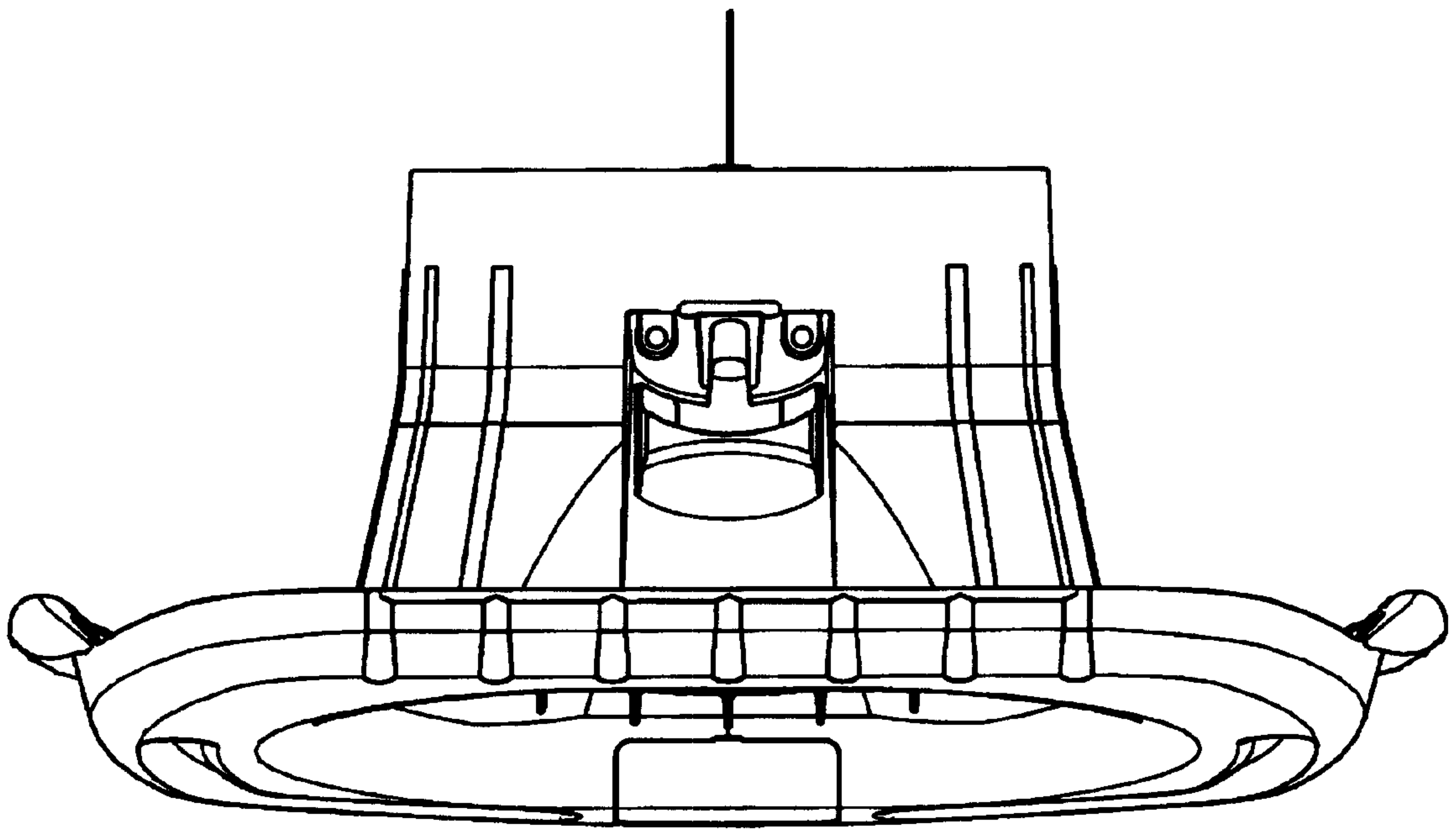


Fig.8