



US00D464418S

(12) **United States Design Patent**
Gonçalves et al.

(10) **Patent No.:** **US D464,418 S**

(45) **Date of Patent:** **** Oct. 15, 2002**

(54) **AIR INLET/EXHAUST PORT**

2,799,213 A * 7/1957 Hansen 165/54

4,754,697 A * 7/1988 Asselbergs 236/49.3

5,197,920 A * 3/1993 Ganse 454/228

(75) Inventors: **Serge Gonçalves**, Drummondville
(CA); **Martin Gamelin**, St-François du
lac (CA)

* cited by examiner

(73) Assignee: **Venmar Ventilation Inc.**,
Drummondville (CA)

Primary Examiner—Lisa Lichtenstein

(74) *Attorney, Agent, or Firm*—Ronald S. Kosie; Robert
Brouillette

(**) Term: **14 Years**

(57) **CLAIM**

(21) Appl. No.: **29/150,715**

The ornamental design for an air inlet/exhaust port, as
shown.

(22) Filed: **Nov. 29, 2001**

(30) **Foreign Application Priority Data**

DESCRIPTION

May 31, 2001 (CA) 2001-1361

FIG. 1 is a front perspective view of the air inlet/exhaust
port;

(51) **LOC (7) Cl.** **23-04**

FIG. 2 is a front elevation view of the air inlet/exhaust
port;

(52) **U.S. Cl.** **D23/371**

FIG. 3 is a top plan view of the air inlet/exhaust
port;

(58) **Field of Search** D23/370, 371;
454/306, 287

FIG. 4 is a right side elevation view of the air inlet/exhaust
port; and,

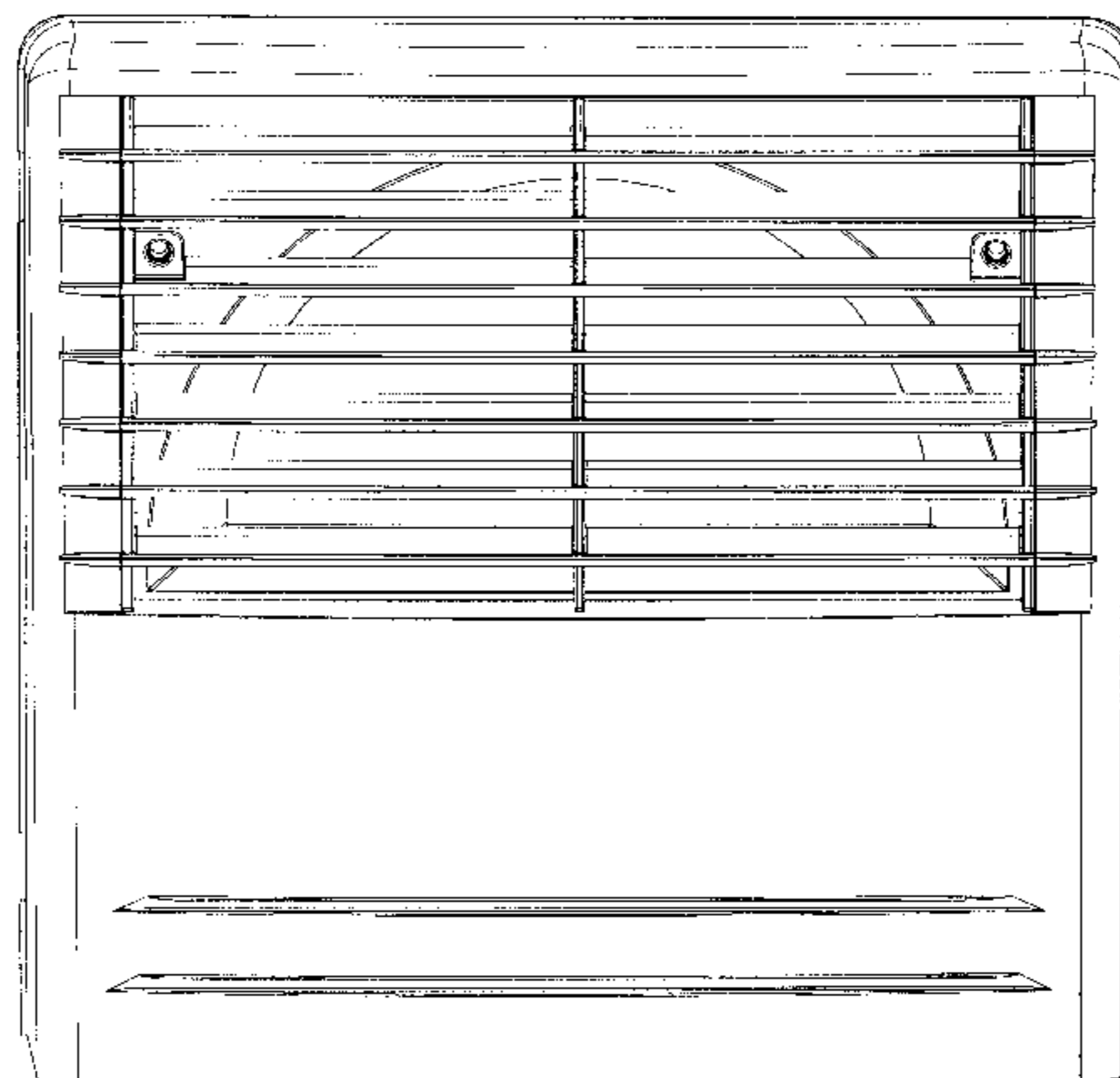
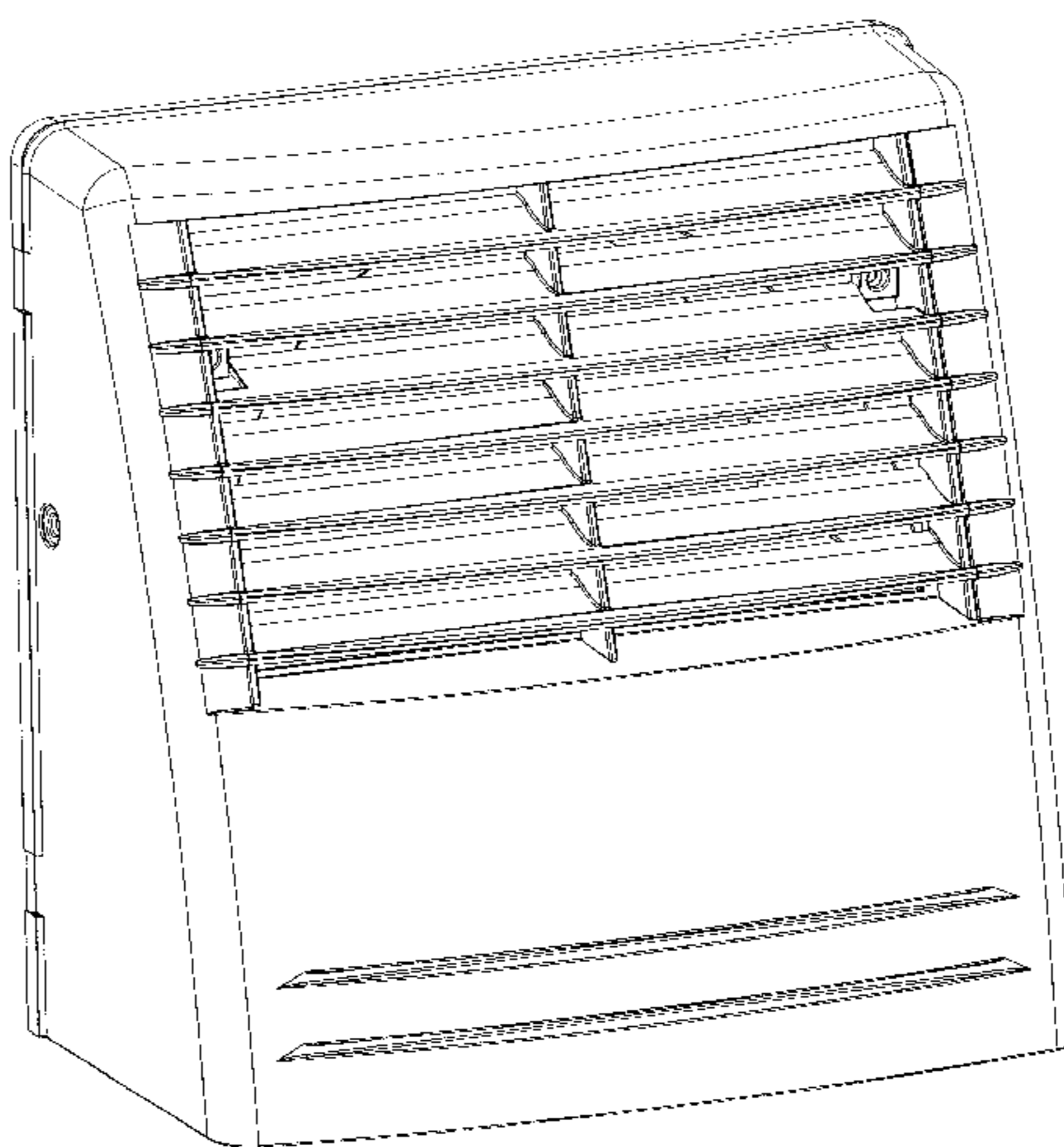
(56) **References Cited**

FIG. 5 is a left side elevation view of the air inlet/exhaust
port.

U.S. PATENT DOCUMENTS

1,886,841 A * 11/1932 Searles 123/41.04

1 Claim, 3 Drawing Sheets



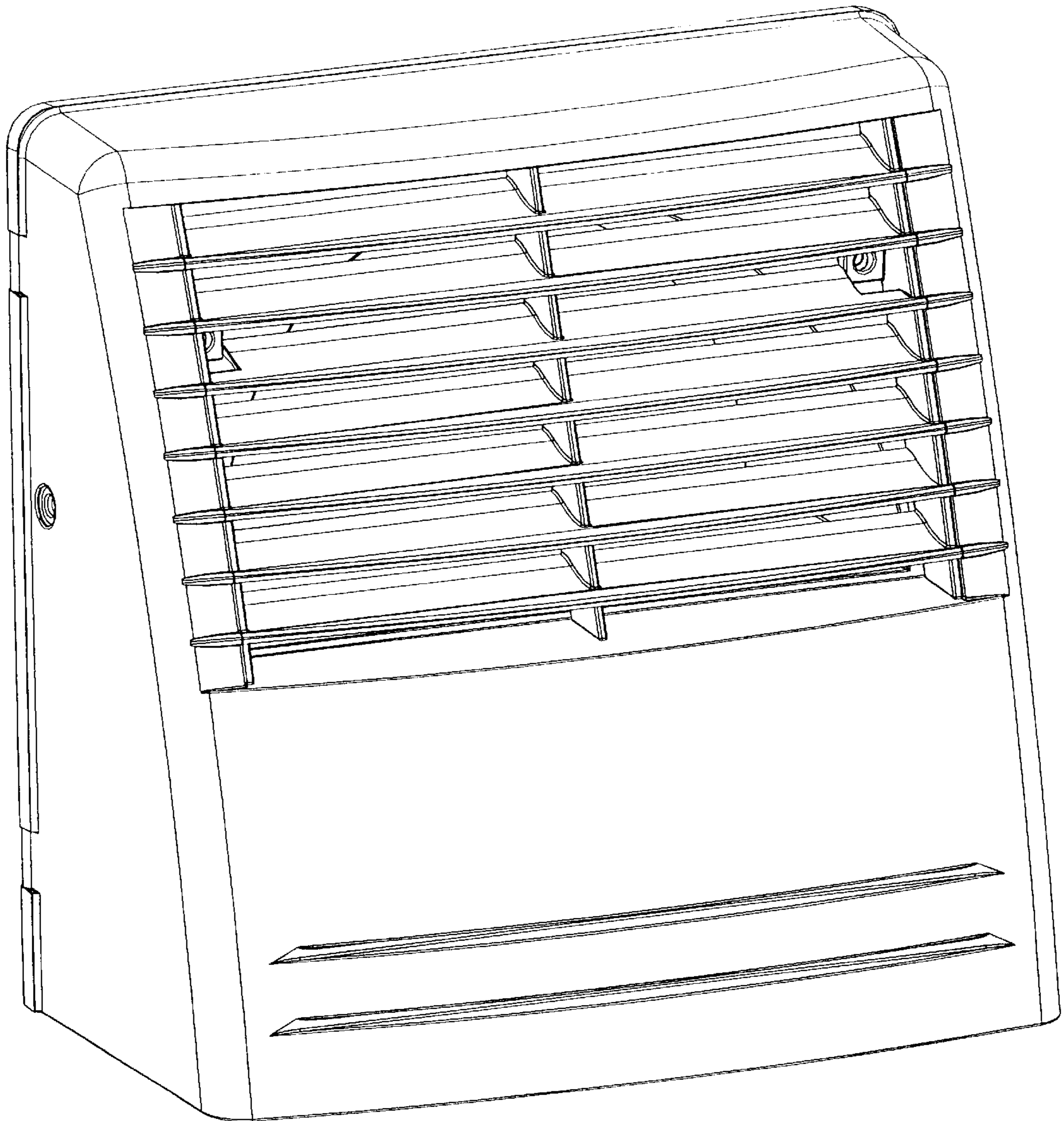


FIG. 1

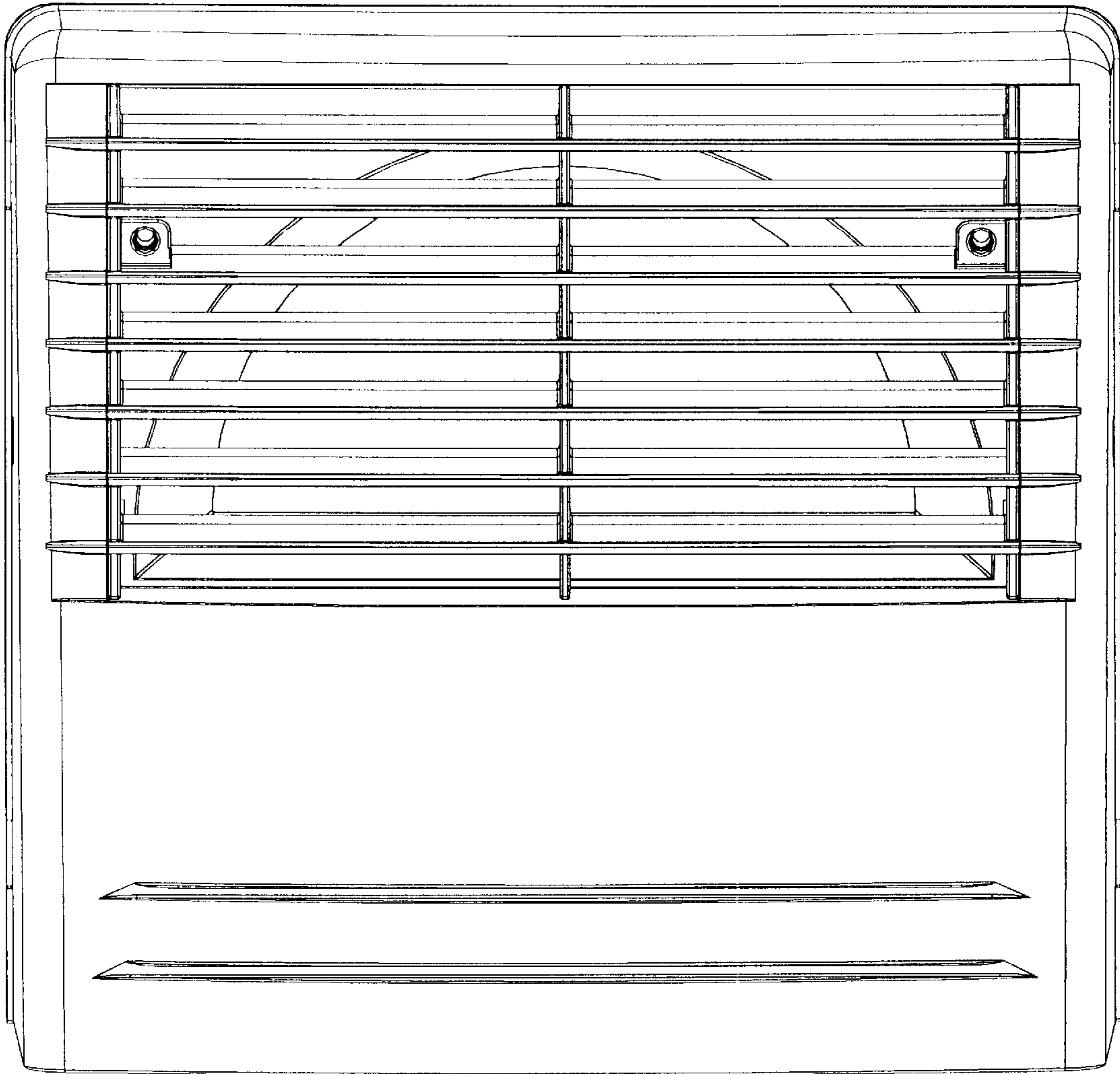


FIG. 2

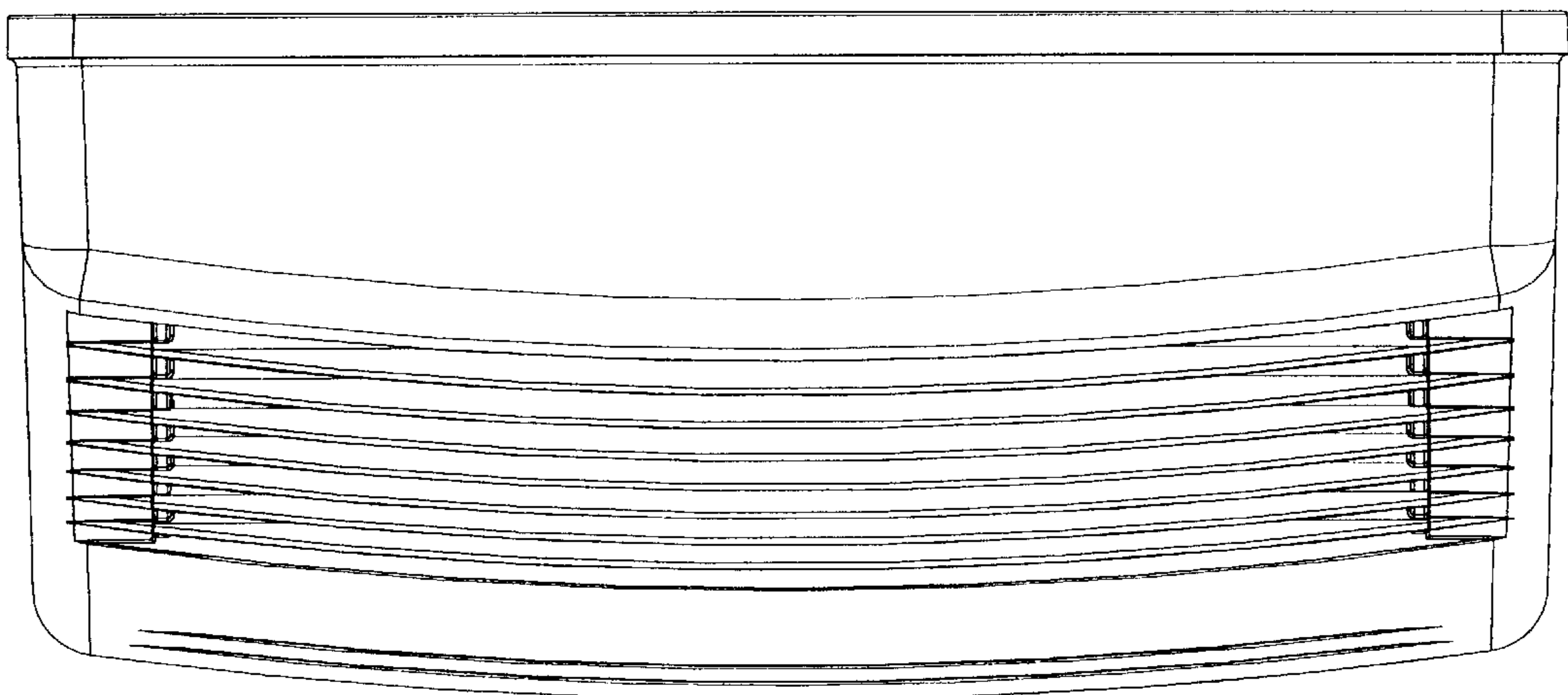


FIG. 3

