



US00D464414S

(12) **United States Design Patent**
Sekoguchi et al.

(10) **Patent No.:** **US D464,414 S**

(45) **Date of Patent:** **** Oct. 15, 2002**

(54) **IONIZER MODULE**

D396,529 S * 7/1998 Yuen D23/355
6,137,670 A * 10/2000 West et al. 369/75.2

(75) Inventors: **Yoshinori Sekoguchi**, Nara-ken (JP);
Haruhito Miyazaki, Nara-ken (JP)

* cited by examiner

(73) Assignee: **Sharp Kabushiki Kaisha**, Osaka (JP)

Primary Examiner—Lisa Lichtenstein

(74) *Attorney, Agent, or Firm*—Nixon & Vanderhye

(**) Term: **14 Years**

(57) **CLAIM**

(21) Appl. No.: **29/154,858**

The ornamental design for an “ionizer module”, as shown and described.

(22) Filed: **Feb. 1, 2002**

(30) **Foreign Application Priority Data**

DESCRIPTION

Aug. 1, 2001 (JP) 2001-022516

FIG. 1 is a bottom, front and right side perspective view of an ionizer module according to our design;

(51) **LOC (7) Cl.** **23-04**

FIG. 2 is a front elevational view thereof;

(52) **U.S. Cl.** **D23/355**

FIG. 3 is a rear elevational view thereof;

(58) **Field of Search** D23/355; 361/213–215,
361/229–235

FIG. 4 is a top plan view thereof;

FIG. 5 is a bottom plan view thereof;

(56) **References Cited**

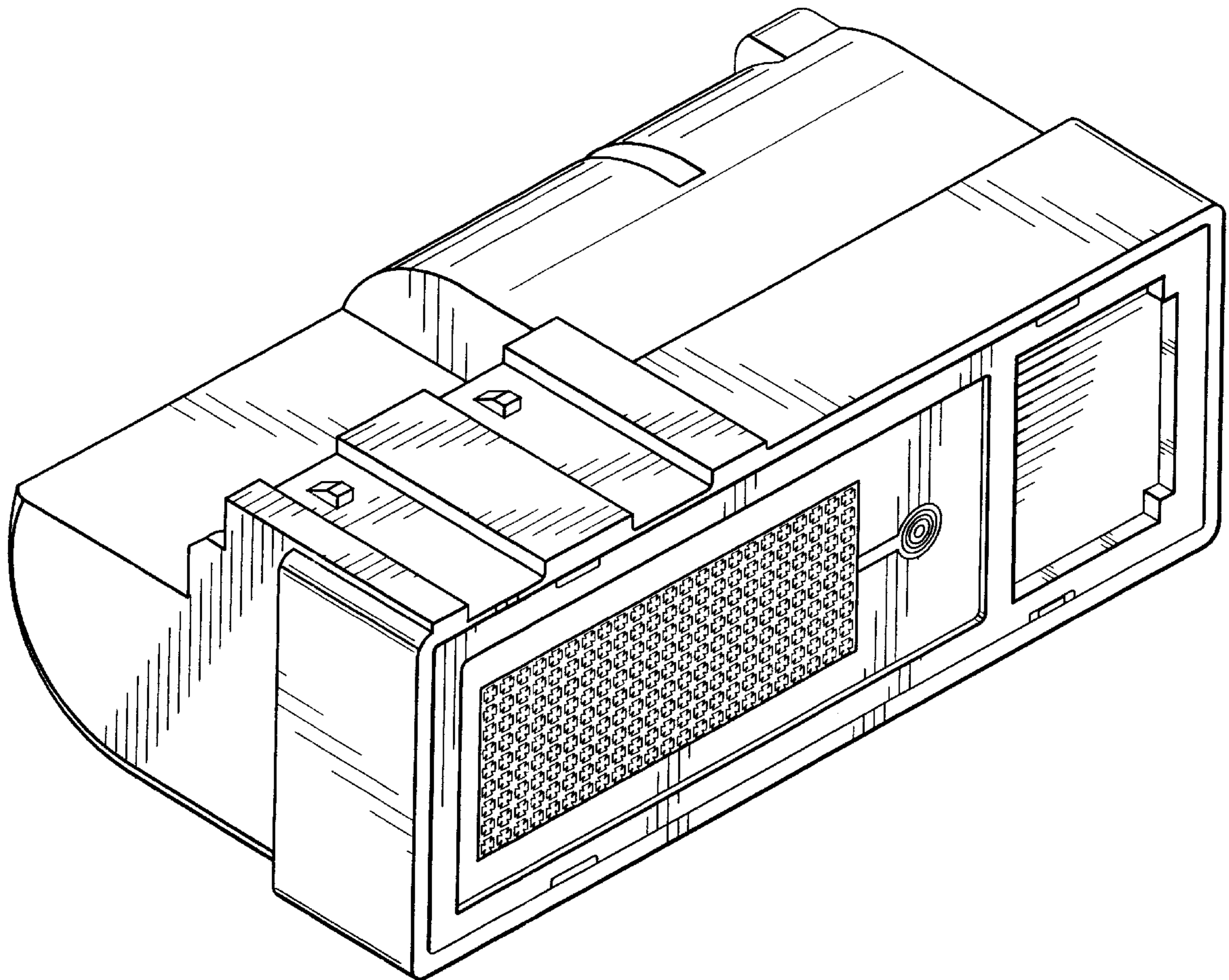
FIG. 6 is a right side elevational view thereof; and,

FIG. 7 is a left side elevational view thereof.

U.S. PATENT DOCUMENTS

D396,275 S * 7/1998 Pearson D23/355

1 Claim, 6 Drawing Sheets



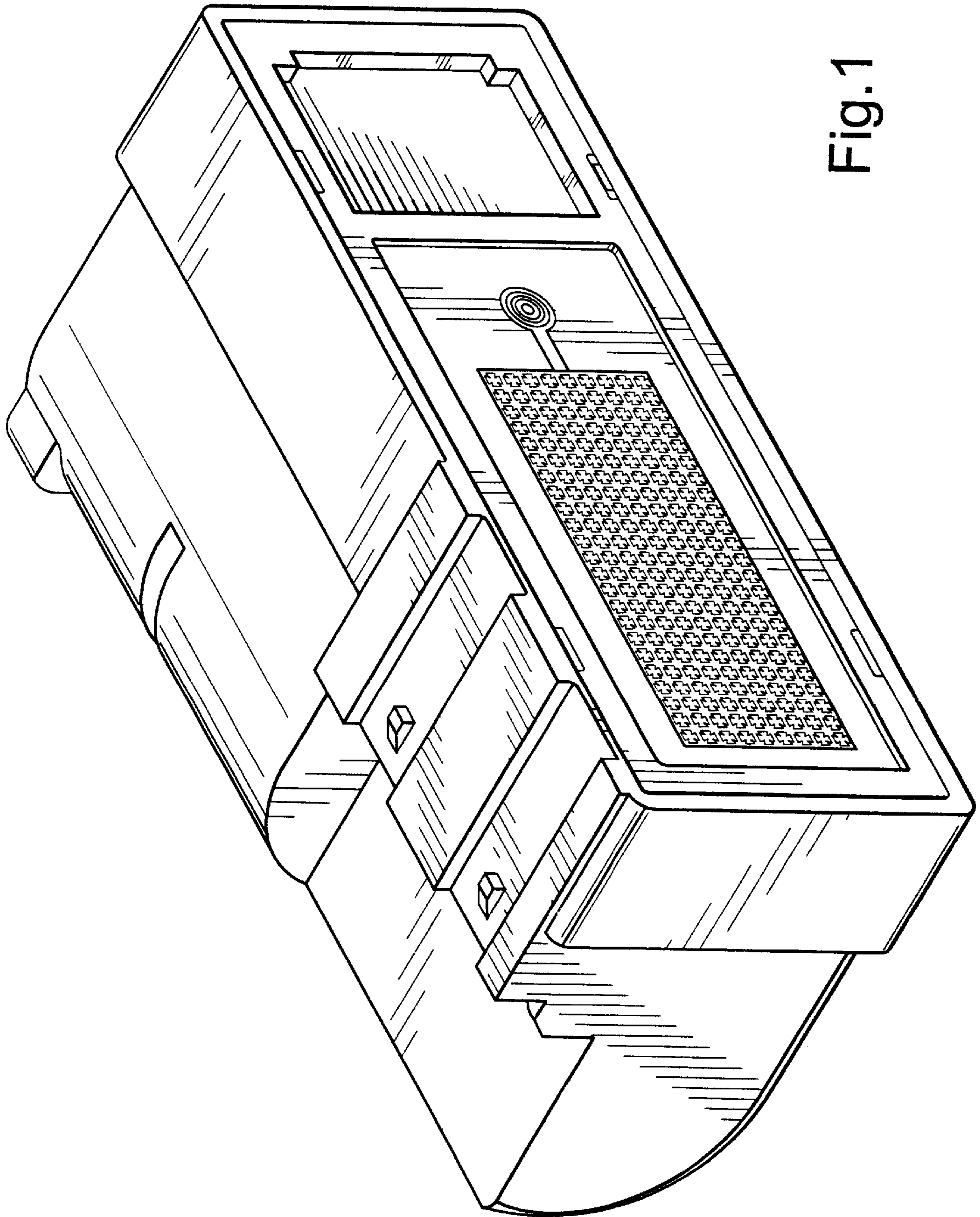


Fig. 1

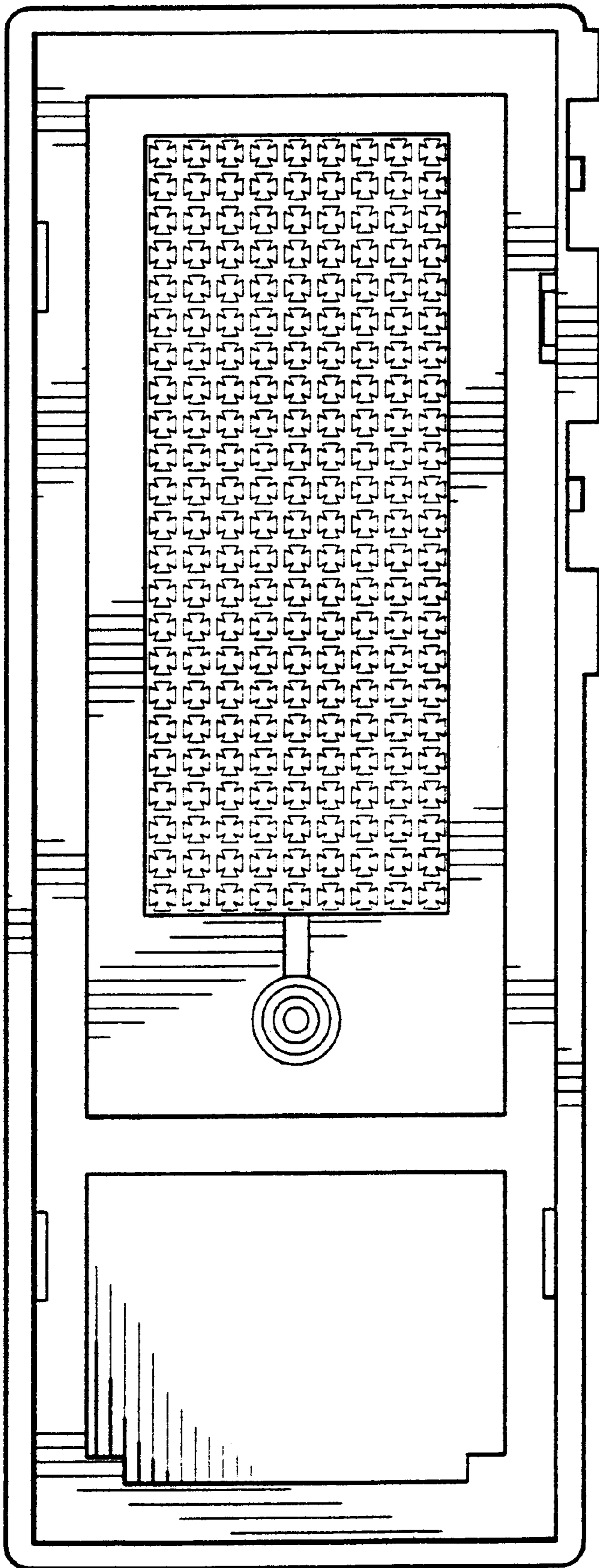


Fig.2

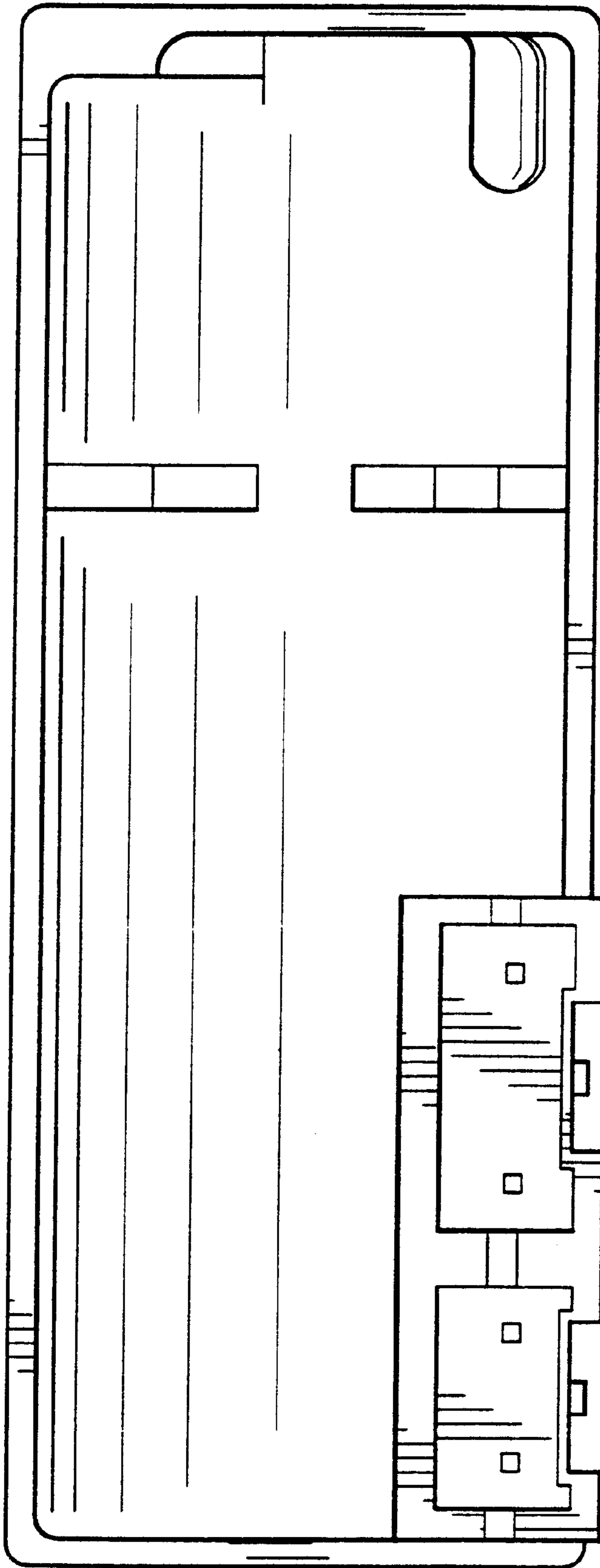


Fig.3



Fig.4

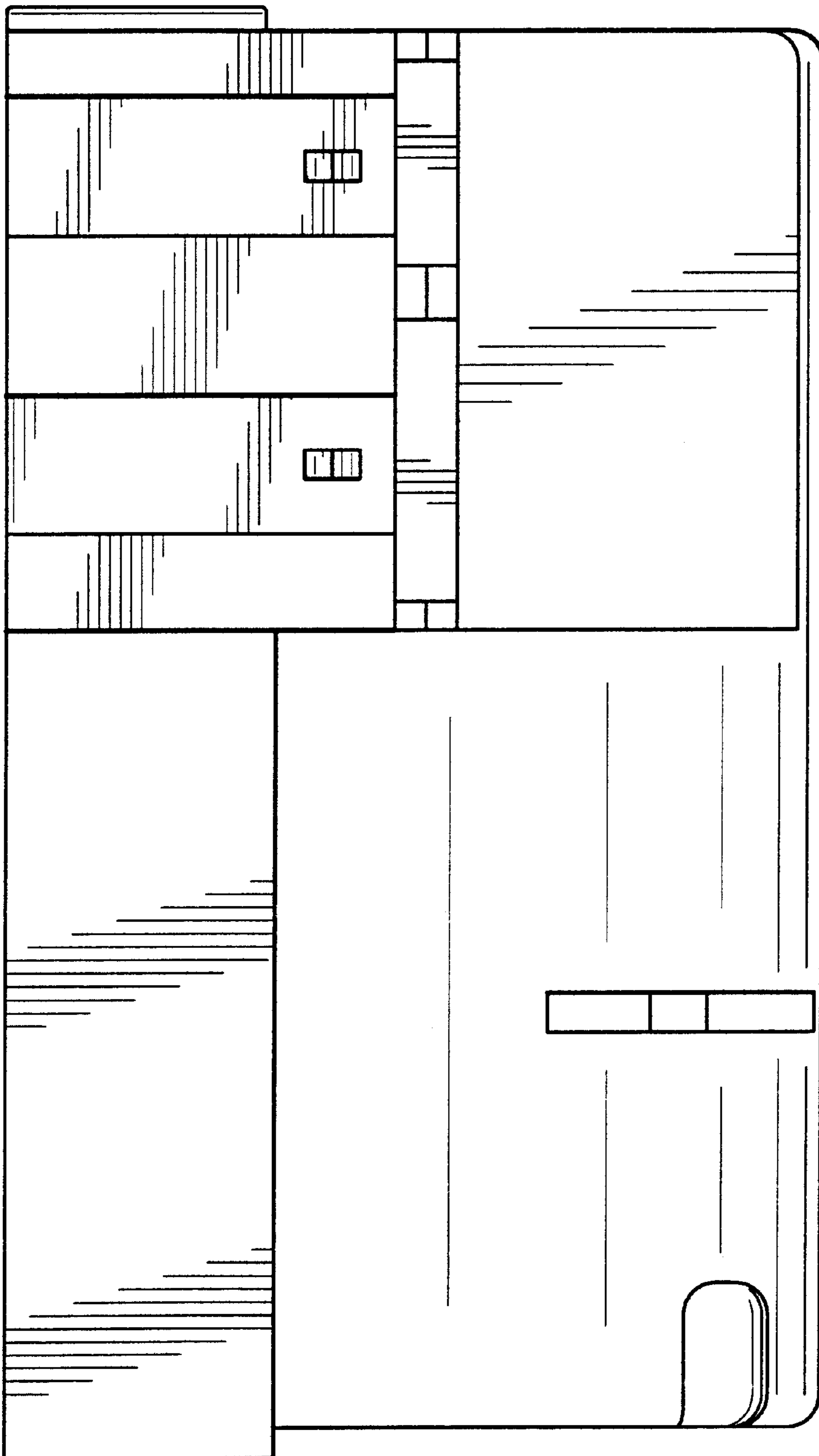


Fig. 5

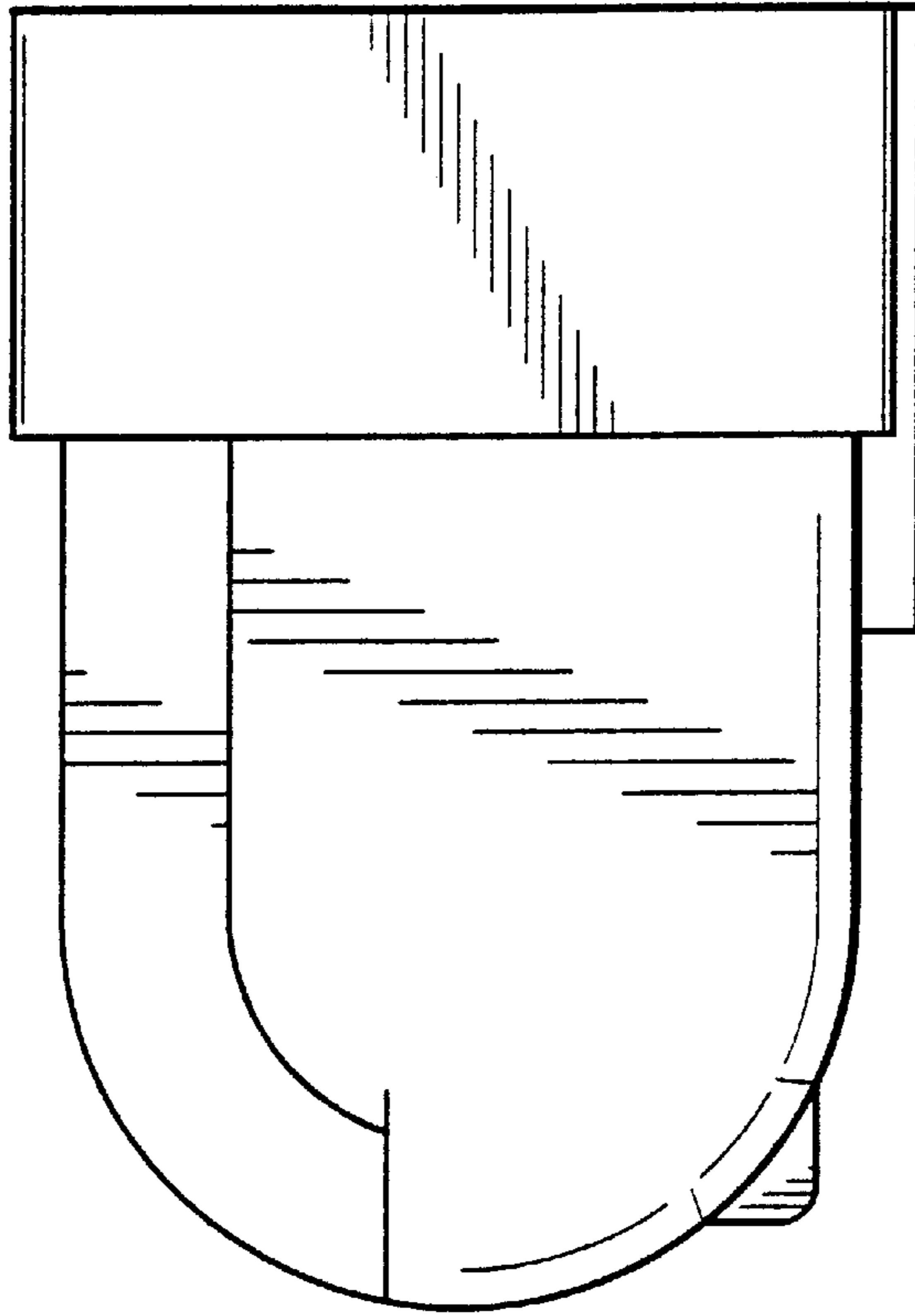


Fig.6

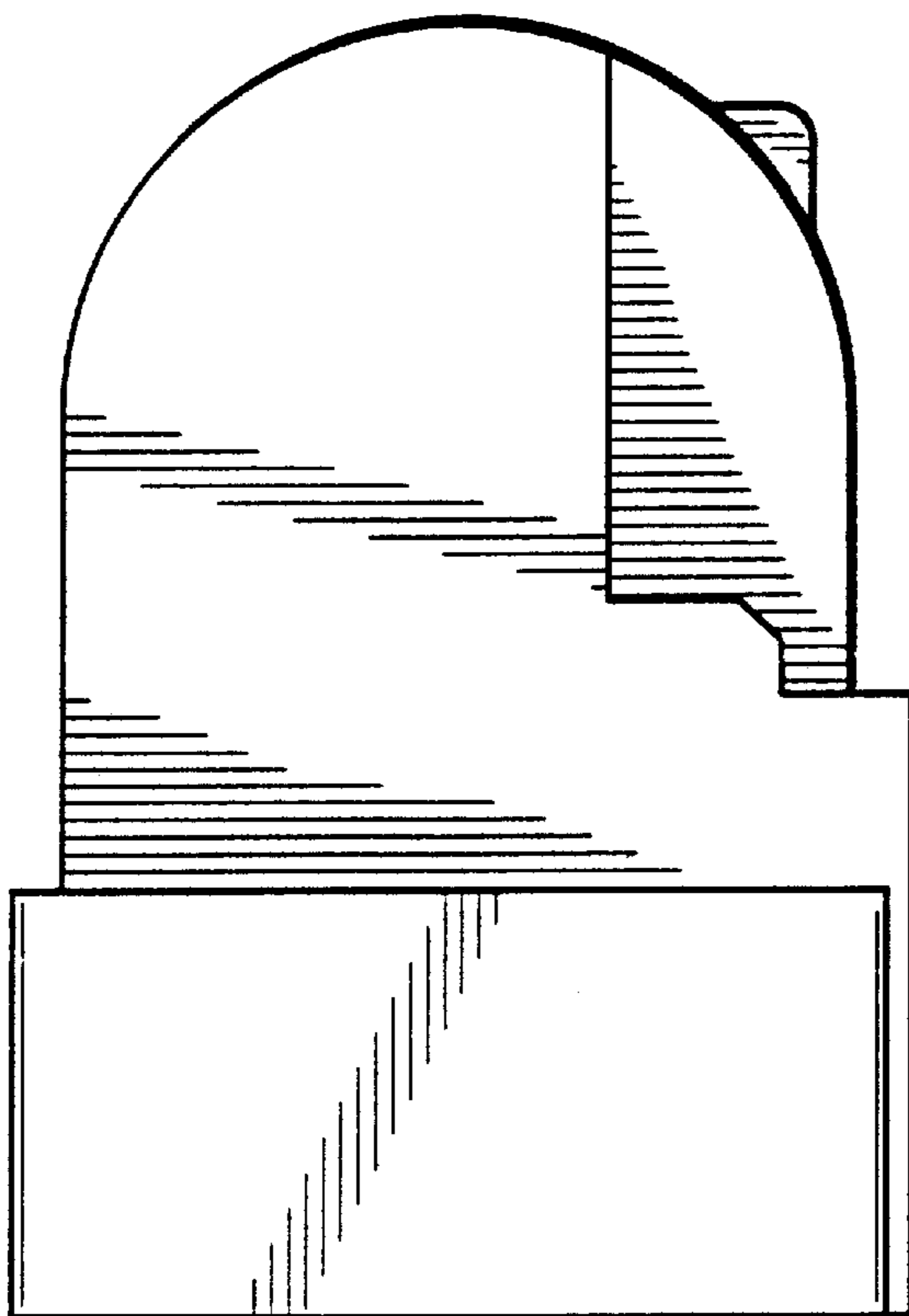


Fig.7