



US00D464411S

(12) **United States Design Patent**
Bayer et al.

(10) **Patent No.: US D464,411 S**

(45) **Date of Patent: ** Oct. 15, 2002**

(54) **SINK**

(75) Inventors: **Michelle E. Bayer**, Plymouth, WI (US); **Mark A. Romo**, Plymouth, WI (US)

(73) Assignee: **Kohler Co.**, Kohler, WI (US)

(**) Term: **14 Years**

(21) Appl. No.: **29/152,559**

(22) Filed: **Dec. 20, 2001**

(51) **LOC (7) Cl.** **23-02**

(52) **U.S. Cl.** **D23/293.1**

(58) **Field of Search** D23/271, 273, D23/284-287, 289-292, 293.1, 303, 308; 4/619-620, 624-628, 630-635, 637-643, 647-652, 661

Primary Examiner—Louis S. Zarfes
Assistant Examiner—Robert A. Delehanty
(74) *Attorney, Agent, or Firm*—Quarles & Brady LLP

(57) **CLAIM**

The ornamental design for a sink, as shown and described.

DESCRIPTION

In a preferred embodiment, the nature of this product is as a plumbing fixture primarily useful for washing food and implements therefor.

FIG. 1 is a left, top, front perspective view of a sink embodying our new design;

FIG. 2 is a top plan view thereof;

FIG. 3 is a front elevational view thereof;

FIG. 4 is a left side elevational view thereof, the right side elevational view being a mirror image of the left side shown;

FIG. 5 is a rear elevational view thereof; and,

FIG. 6 is a bottom plan view thereof.

The broken line representations of holes in FIGS. 1, 2, and 6, of a fitting shelf in FIGS. 1 and 2, and of finishing structure in FIG. 6, are for the purpose of illustration only, and form no part of the claimed design.

1 Claim, 3 Drawing Sheets

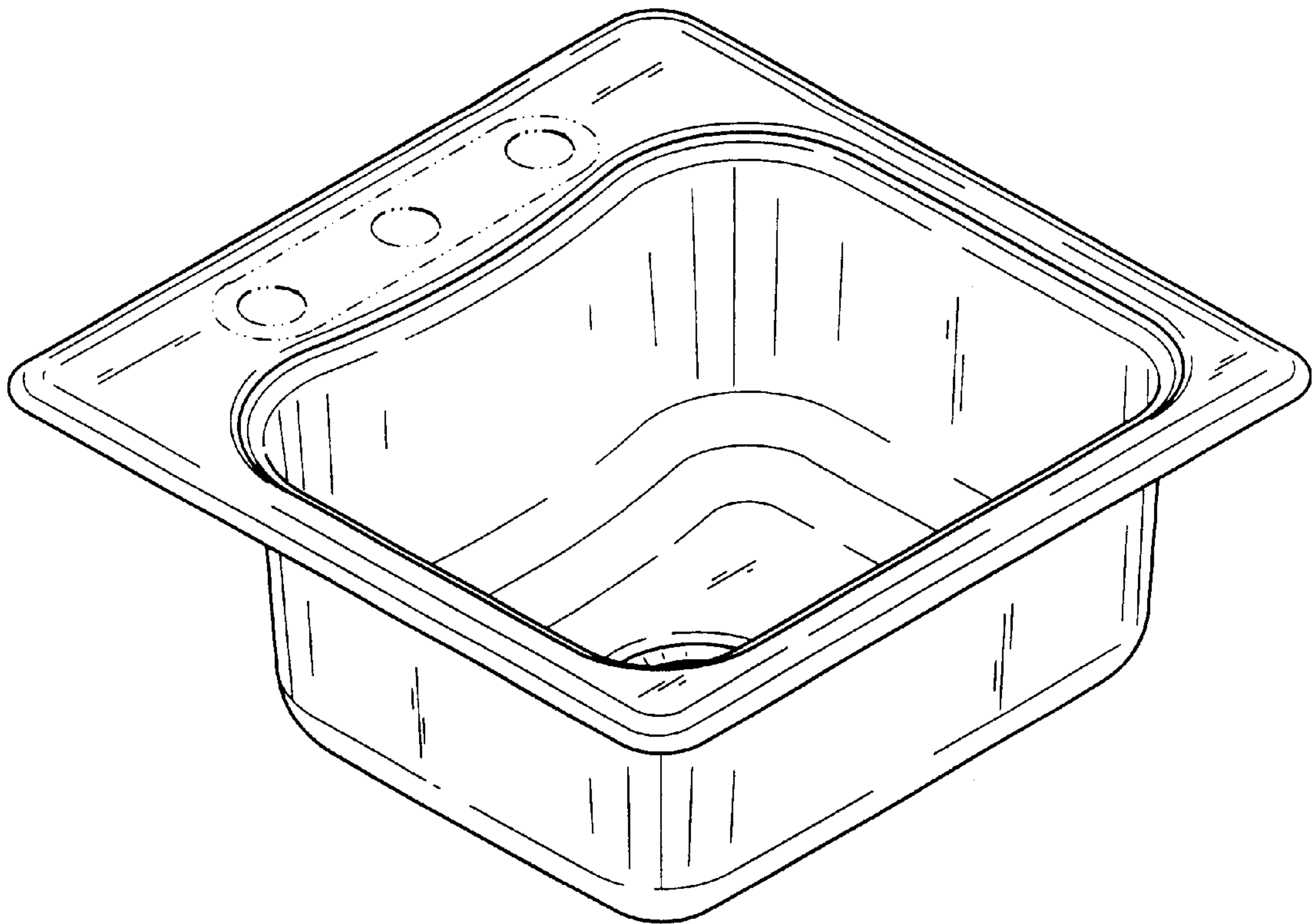


FIG. 1

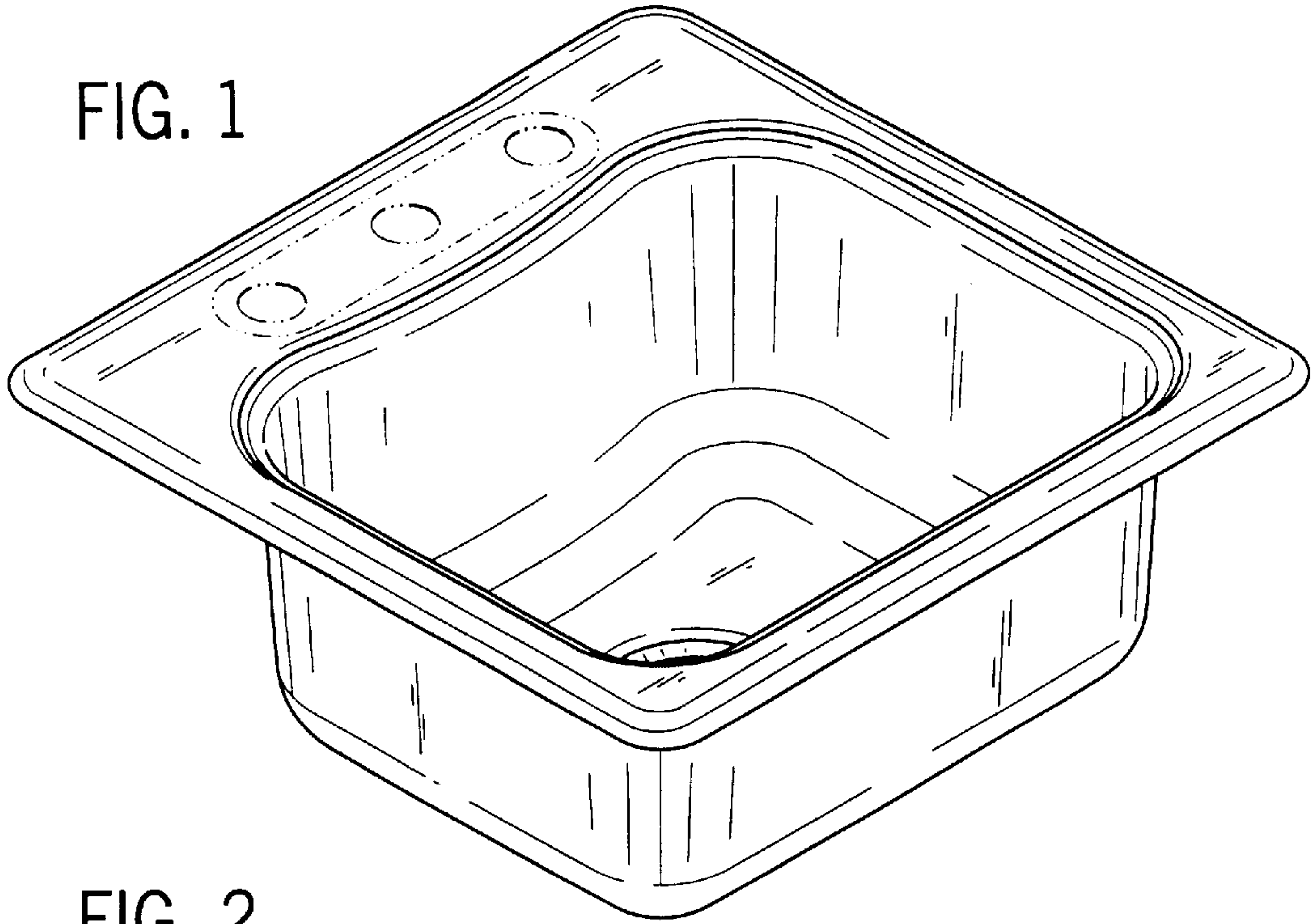


FIG. 2

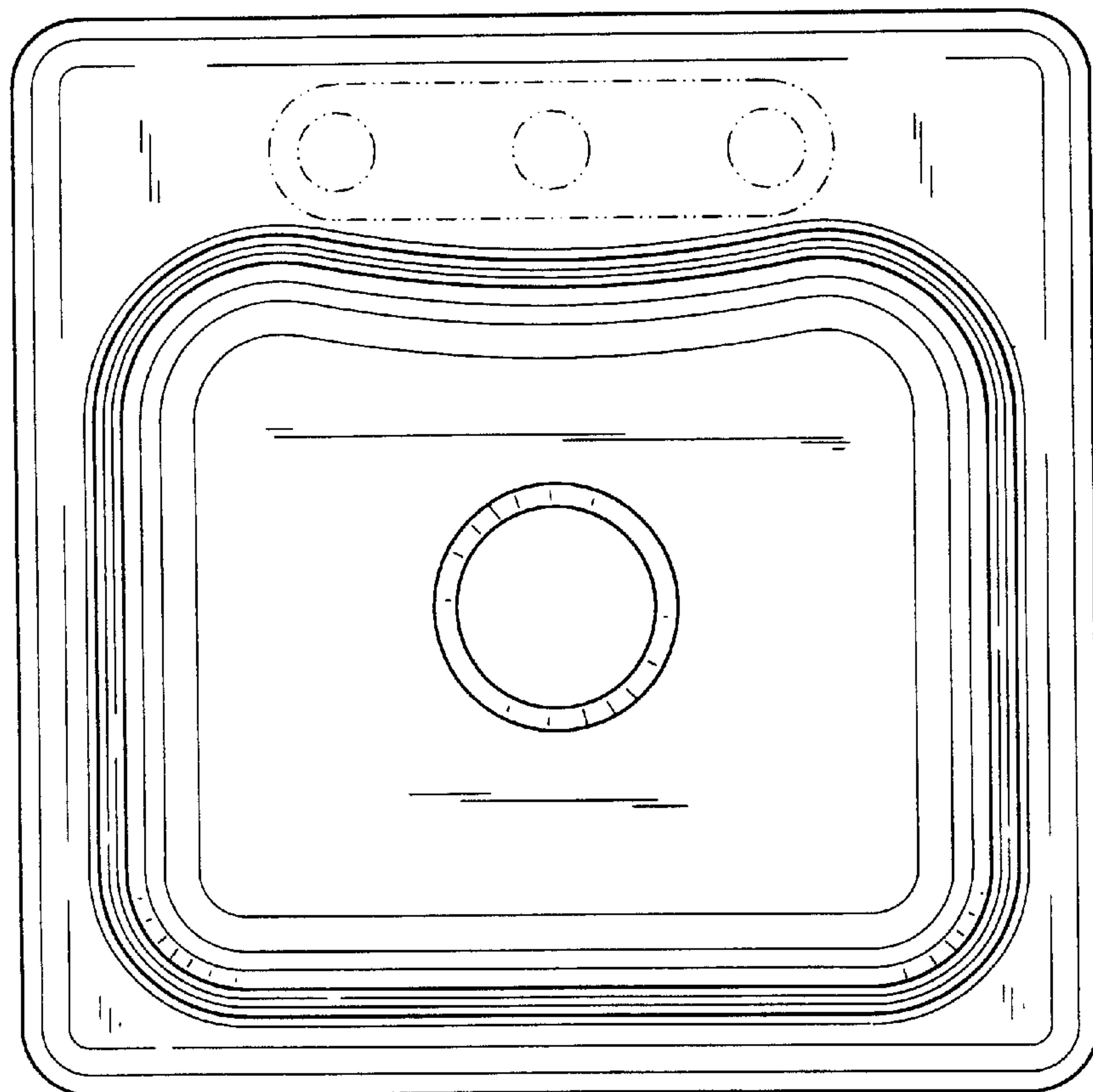


FIG. 3

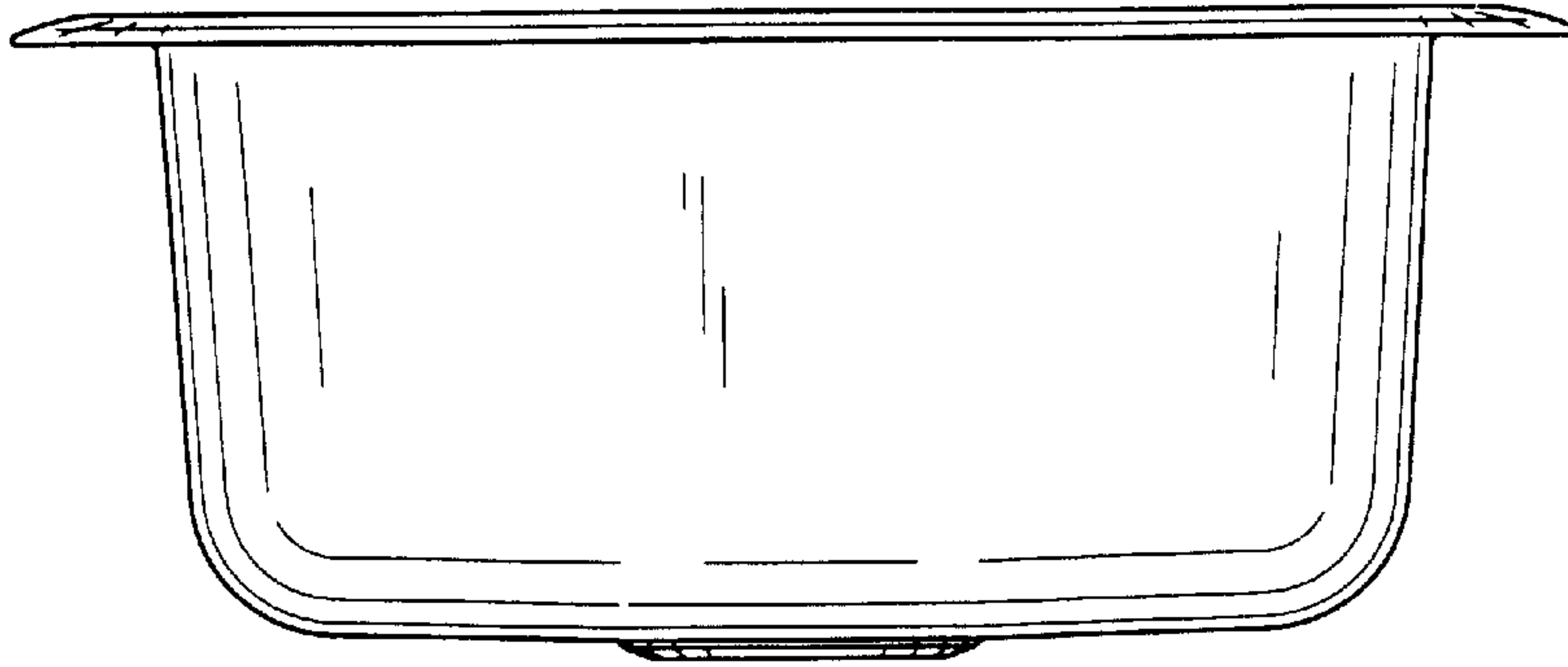


FIG. 4

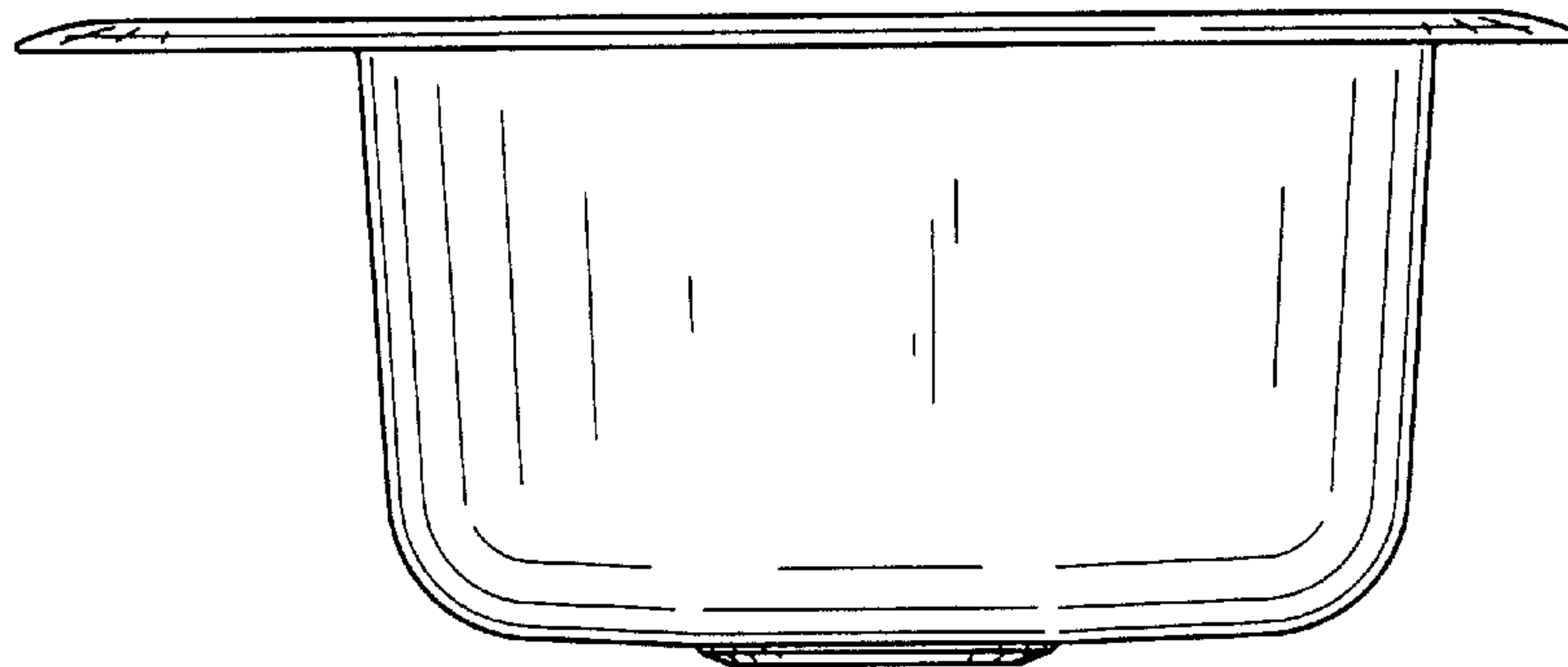


FIG. 5

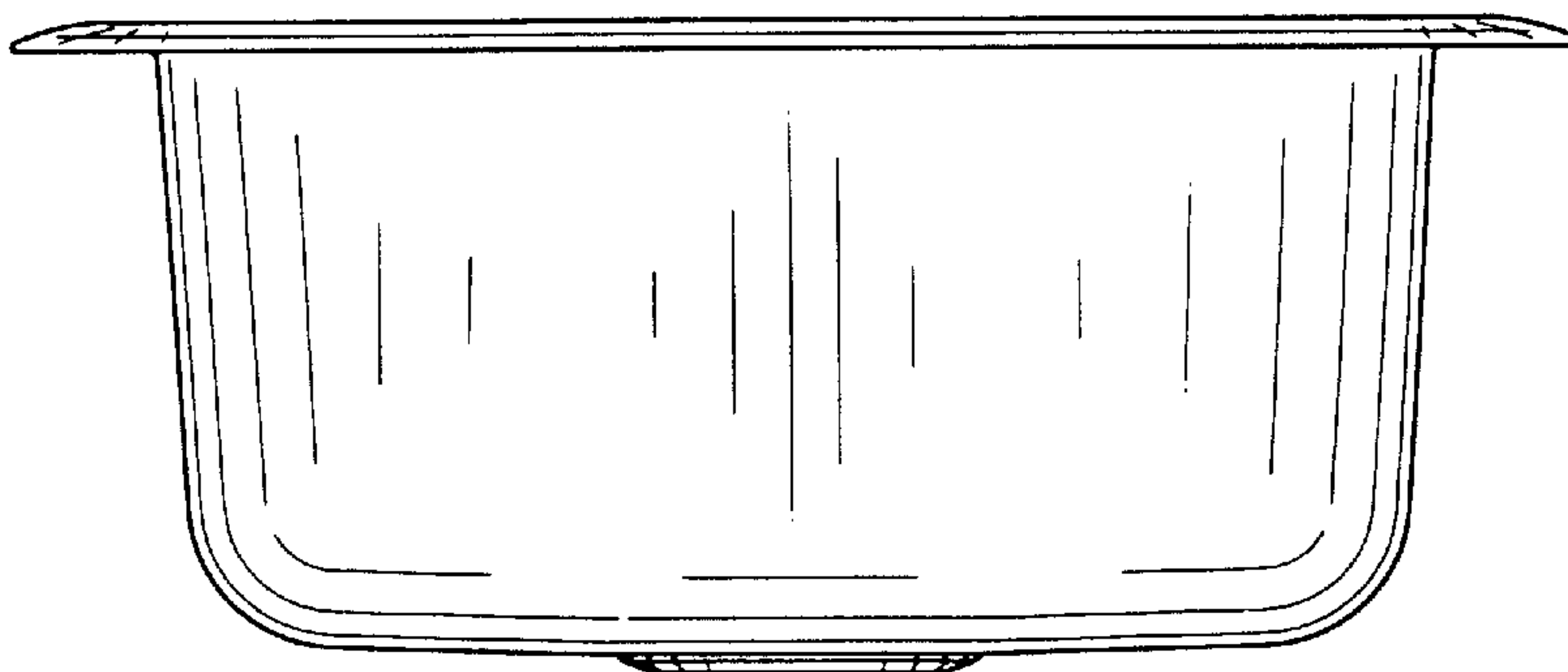


FIG. 6

