



US00D464409S

(12) **United States Design Patent**  
**Nishio**

(10) **Patent No.:** **US D464,409 S**

(45) **Date of Patent:** **\*\* Oct. 15, 2002**

(54) **SLEEVE FOR TUBE FITTING**

5,934,714 A \* 8/1999 Sugiyama et al. .... 285/342  
6,073,976 A \* 6/2000 Schmidt et al. .... 285/341

(75) Inventor: **Kiyoshi Nishio, Hyogo (JP)**

\* cited by examiner

(73) Assignee: **Nippon Pillar Packing Co., Ltd.,  
Osaka (JP)**

*Primary Examiner*—Robin V. Taylor  
(74) *Attorney, Agent, or Firm*—Perkins Coie LLP

(\*\*) Term: **14 Years**

(57) **CLAIM**

(21) Appl. No.: **29/115,549**

The ornamental design for a sleeve for tube fitting, as shown and described.

(22) Filed: **Dec. 15, 1999**

(30) **Foreign Application Priority Data**

Dec. 6, 1999 (JP) ..... 11-33710

(51) **LOC (7) Cl.** ..... **23-01**

(52) **U.S. Cl.** ..... **D23/266; D23/259**

(58) **Field of Search** ..... D23/259, 262,  
D23/269; 285/48, 335, 109, 294.1, 910,  
332.2, 341, 382.7, 115, 342

**DESCRIPTION**

The present invention is a sleeve useful for joining together the ends of two tubes as shown in the accompanying drawings.

FIG. 1 is a front view of the sleeve;  
FIG. 2 is a top plan view thereof;  
FIG. 3 is a left side view thereof;  
FIG. 4 is a right side view thereof;  
FIG. 5 is a sectional view thereof taken along line A—A in FIG. 1C;  
FIG. 6 is an enlarged view of location B in FIG. 2A;  
FIG. 7 is a perspective view thereof;  
FIG. 8 is a reference view showing the sleeve as used; and,  
FIG. 9 is an exploded perspective view thereof.

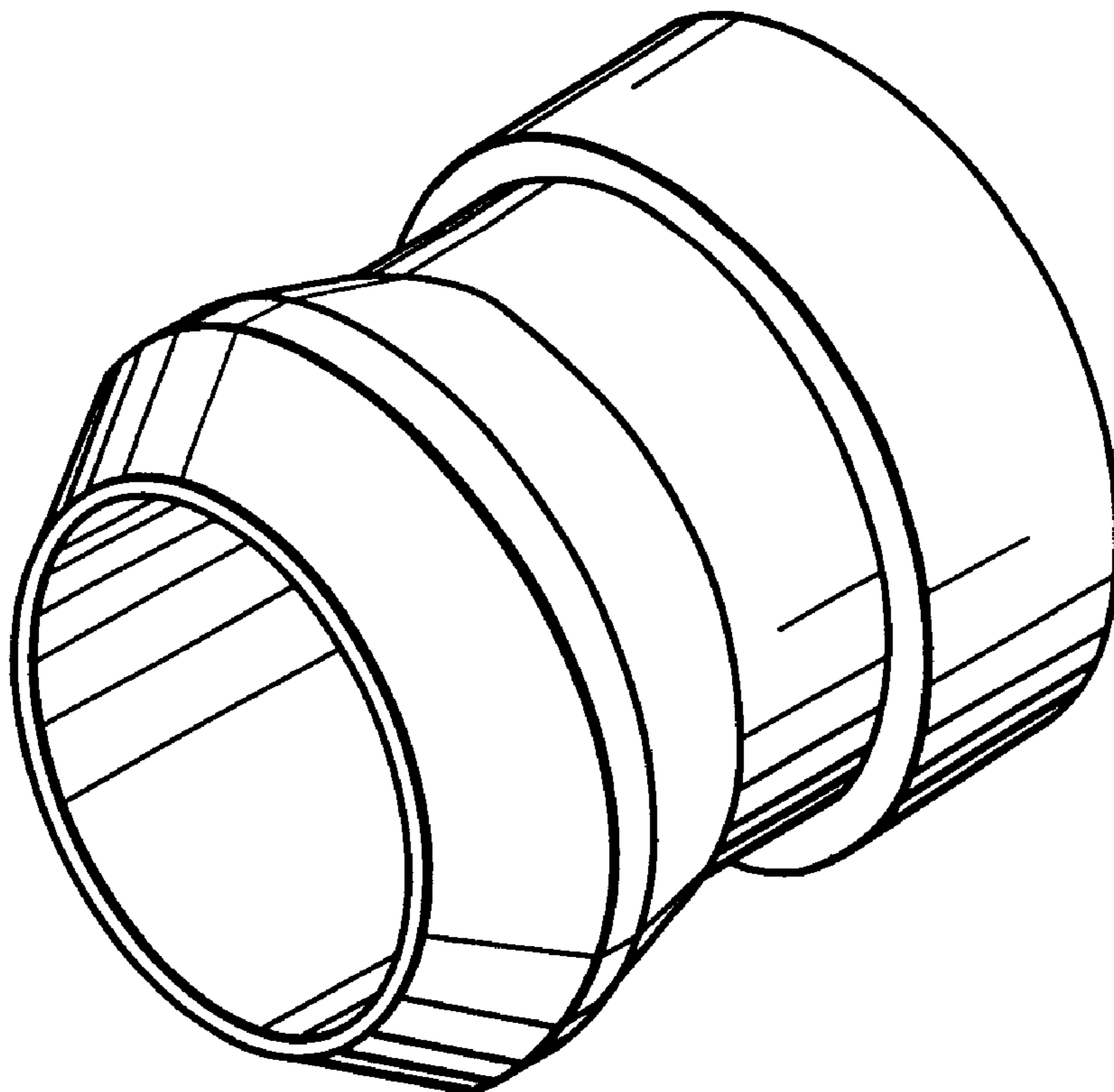
(56) **References Cited**

**U.S. PATENT DOCUMENTS**

4,556,242 A \* 12/1985 Kowal et al. .... 285/341  
5,074,599 A \* 12/1991 Wirbel et al. .... 285/382.7  
5,154,453 A 10/1992 Nishio ..... 285/342  
5,217,261 A \* 6/1993 DeWitt et al. .... 285/332.2  
5,551,735 A \* 9/1996 Takayanagi et al. .... 285/341  
5,720,504 A \* 2/1998 Stedman et al. .... 285/382.7

The broken line showing is for illustrative purposes only and forms no part of the claimed design.

**1 Claim, 4 Drawing Sheets**



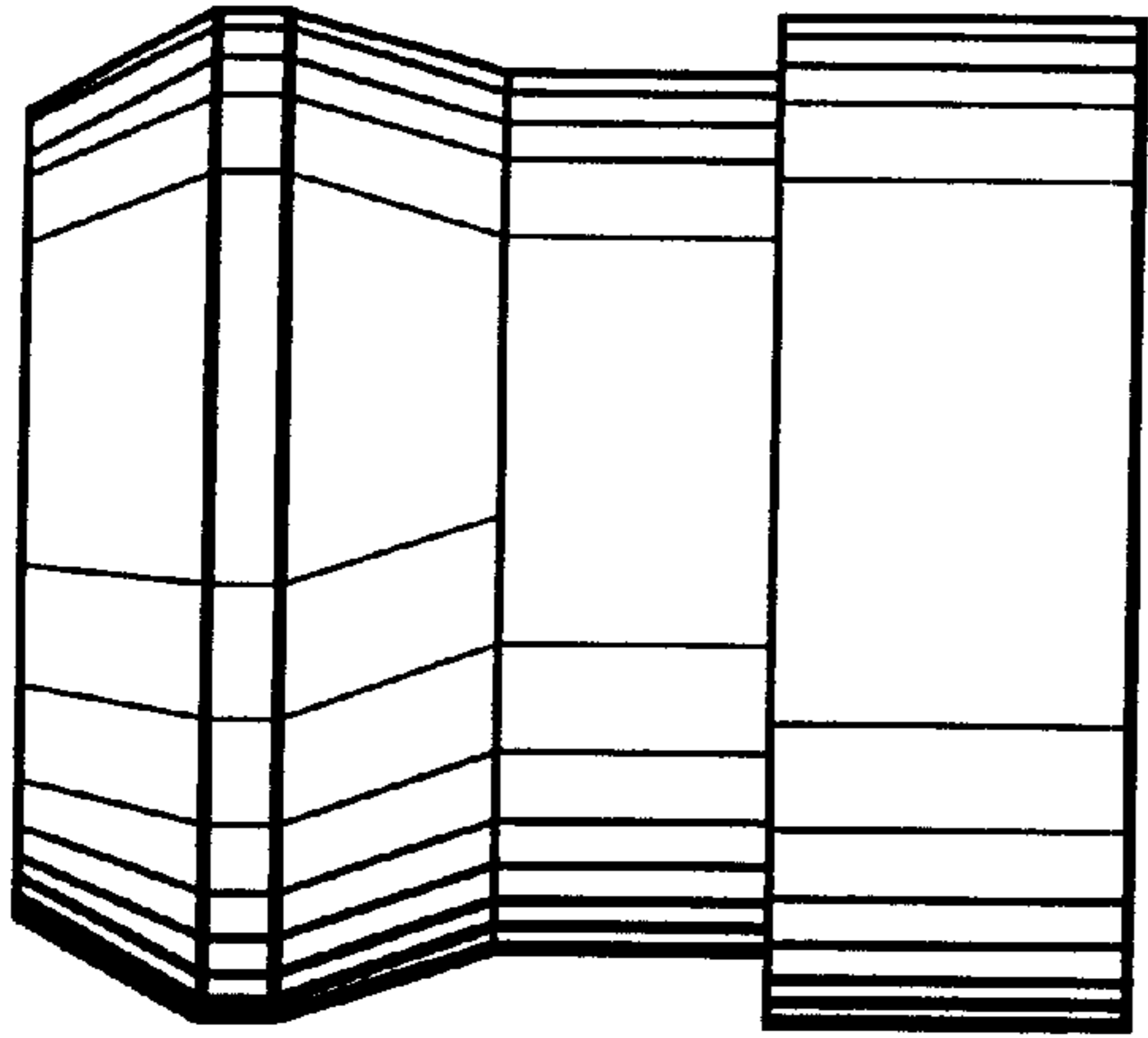


FIG. 1

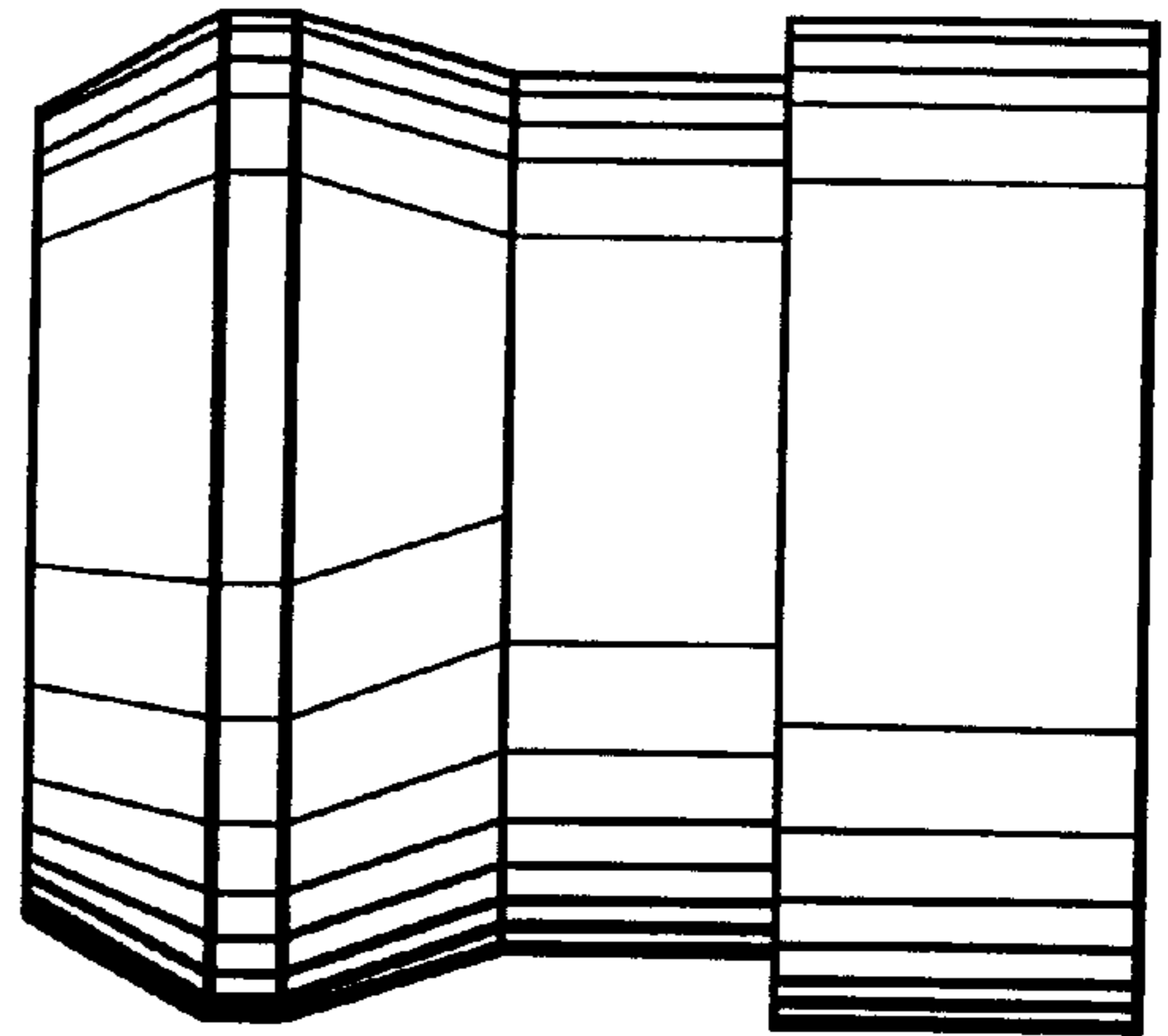


FIG. 2

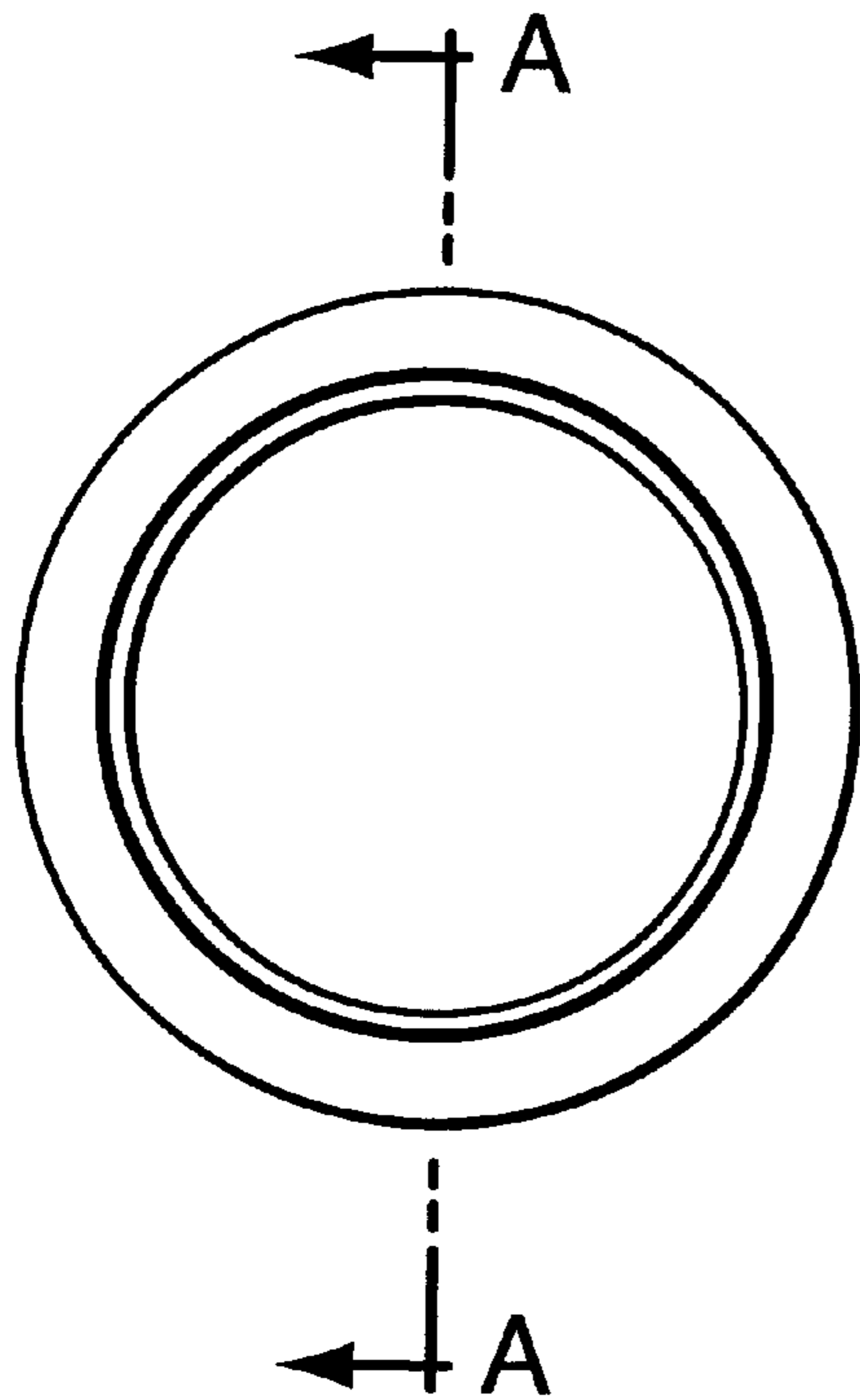


FIG. 3

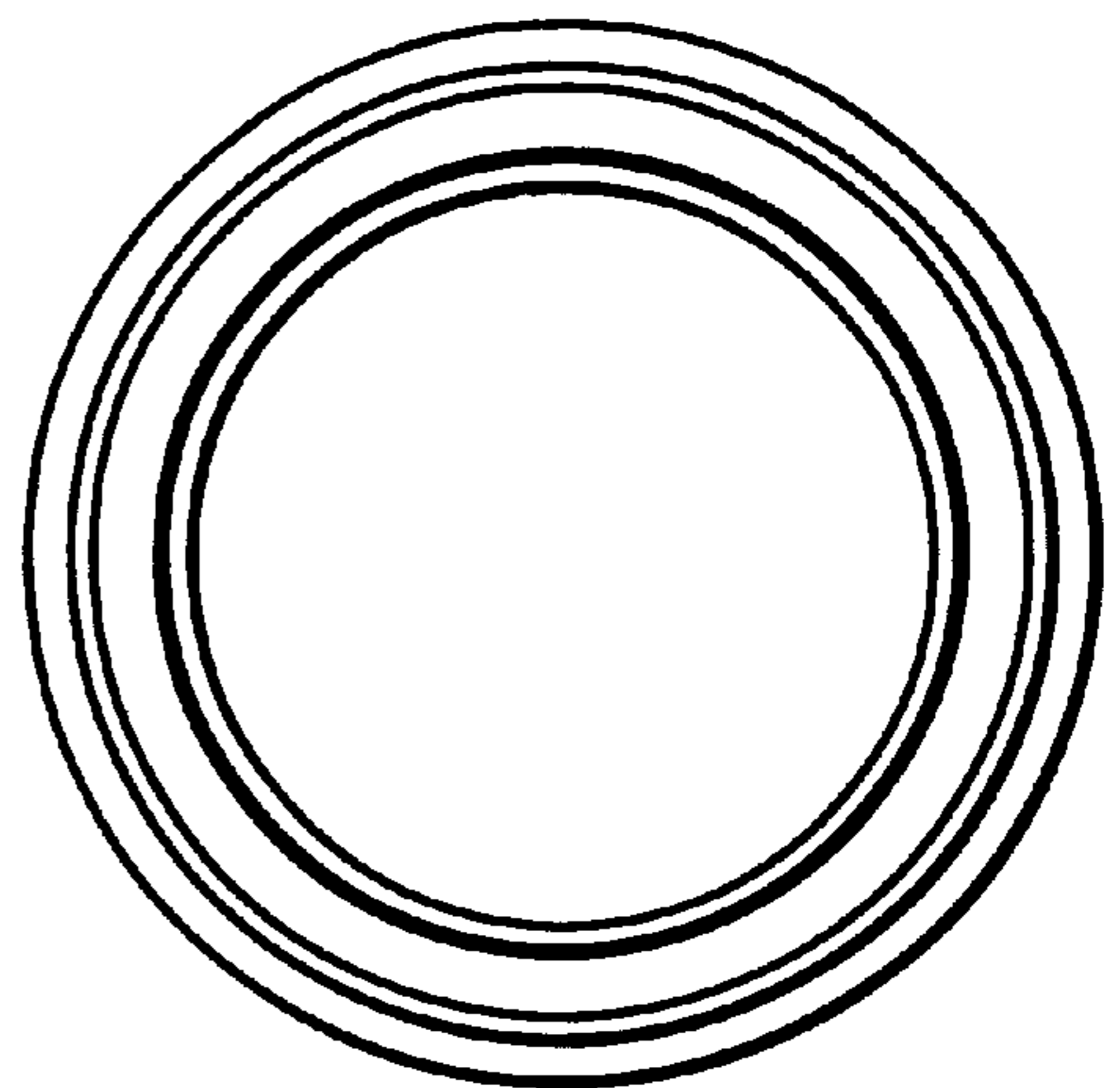


FIG. 4

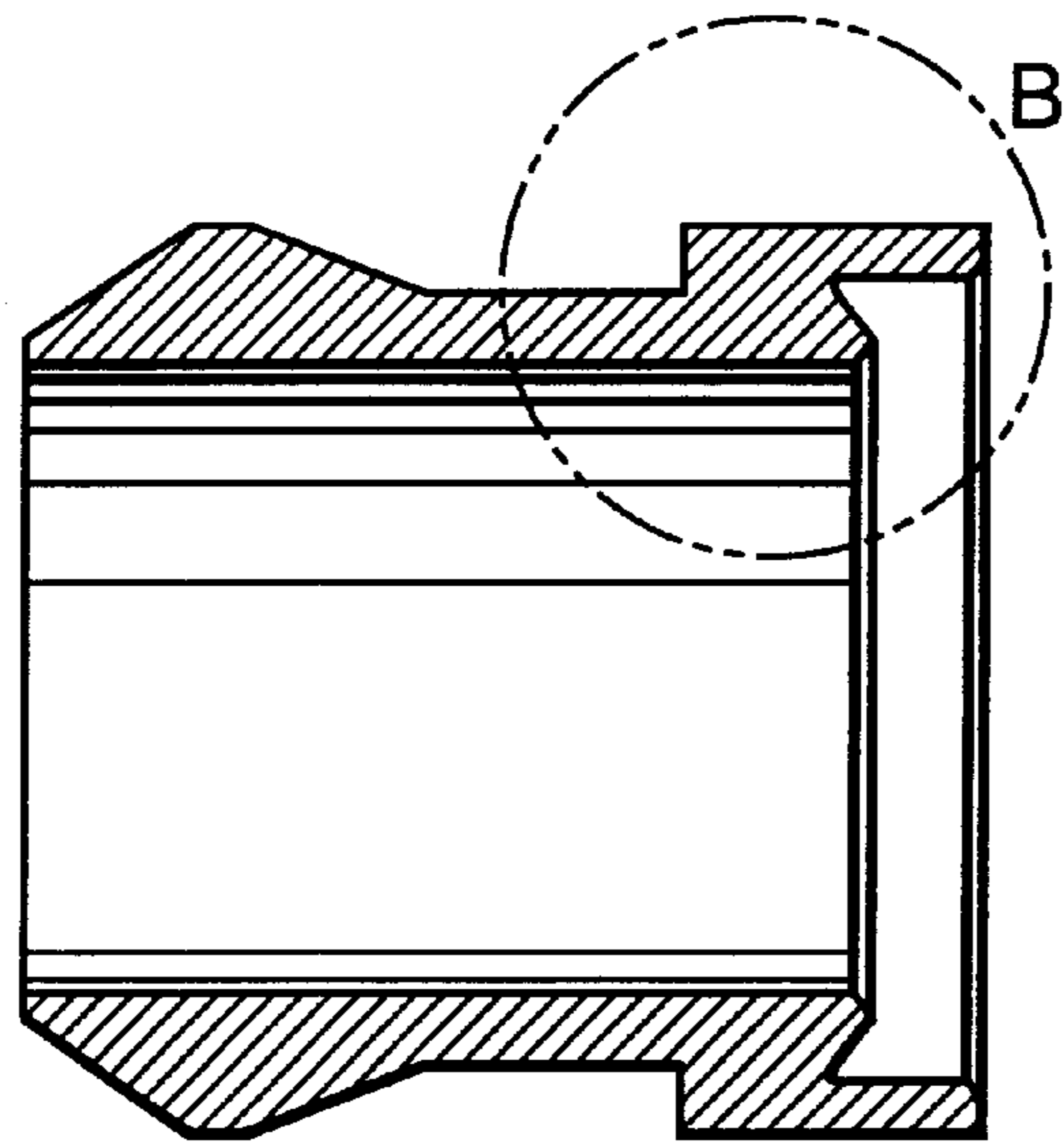


FIG. 5

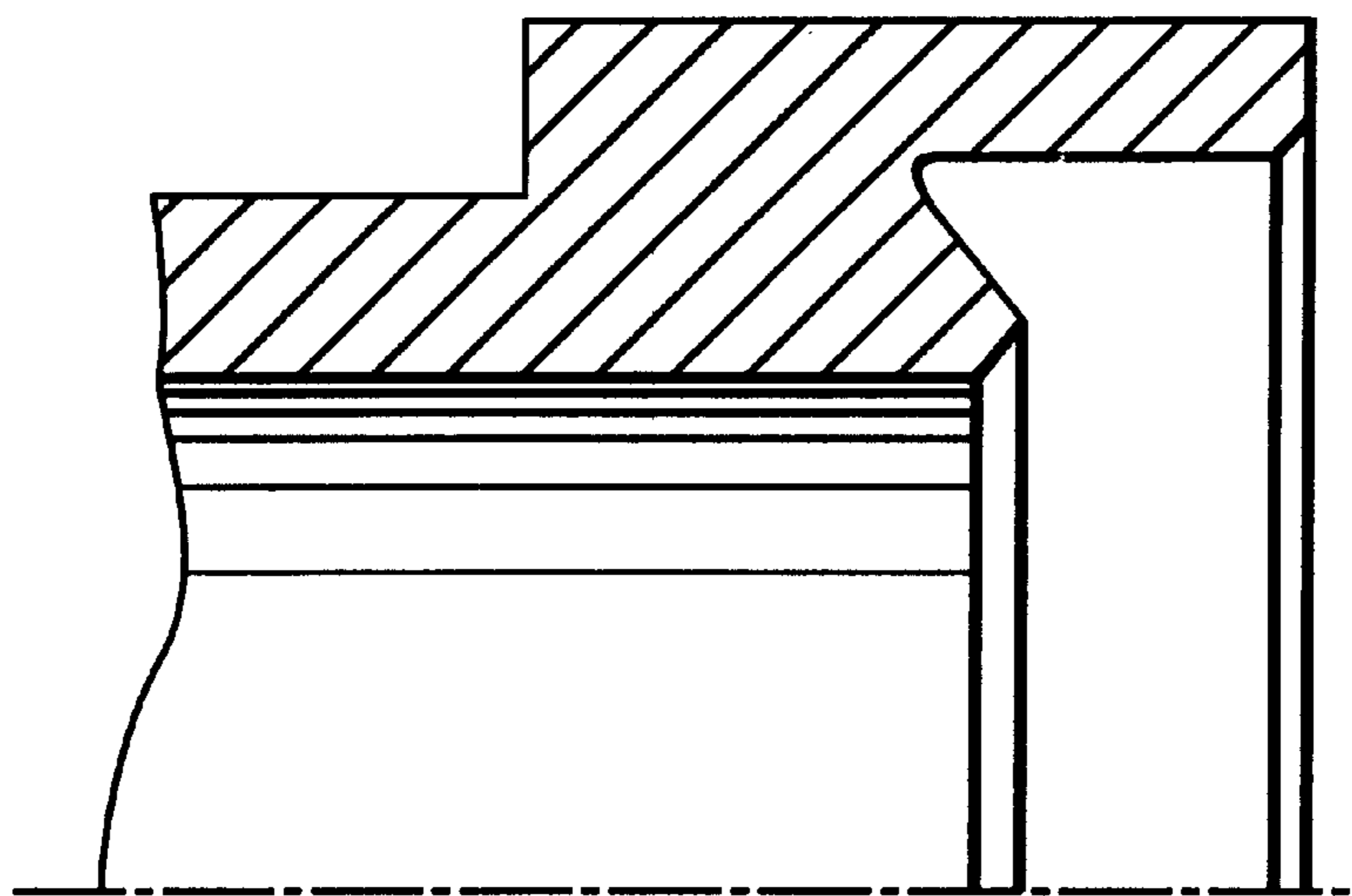


FIG. 6

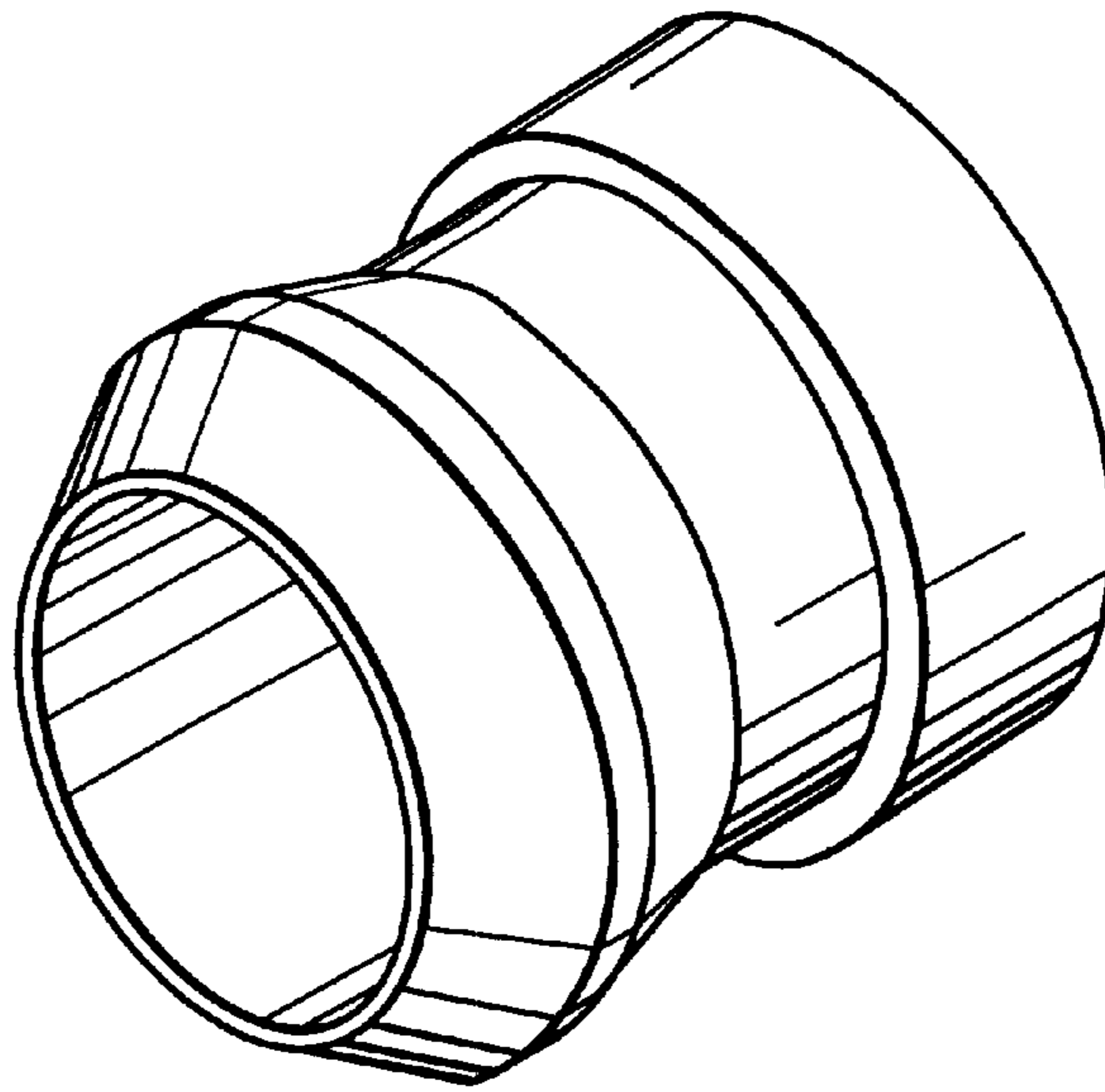


FIG. 7

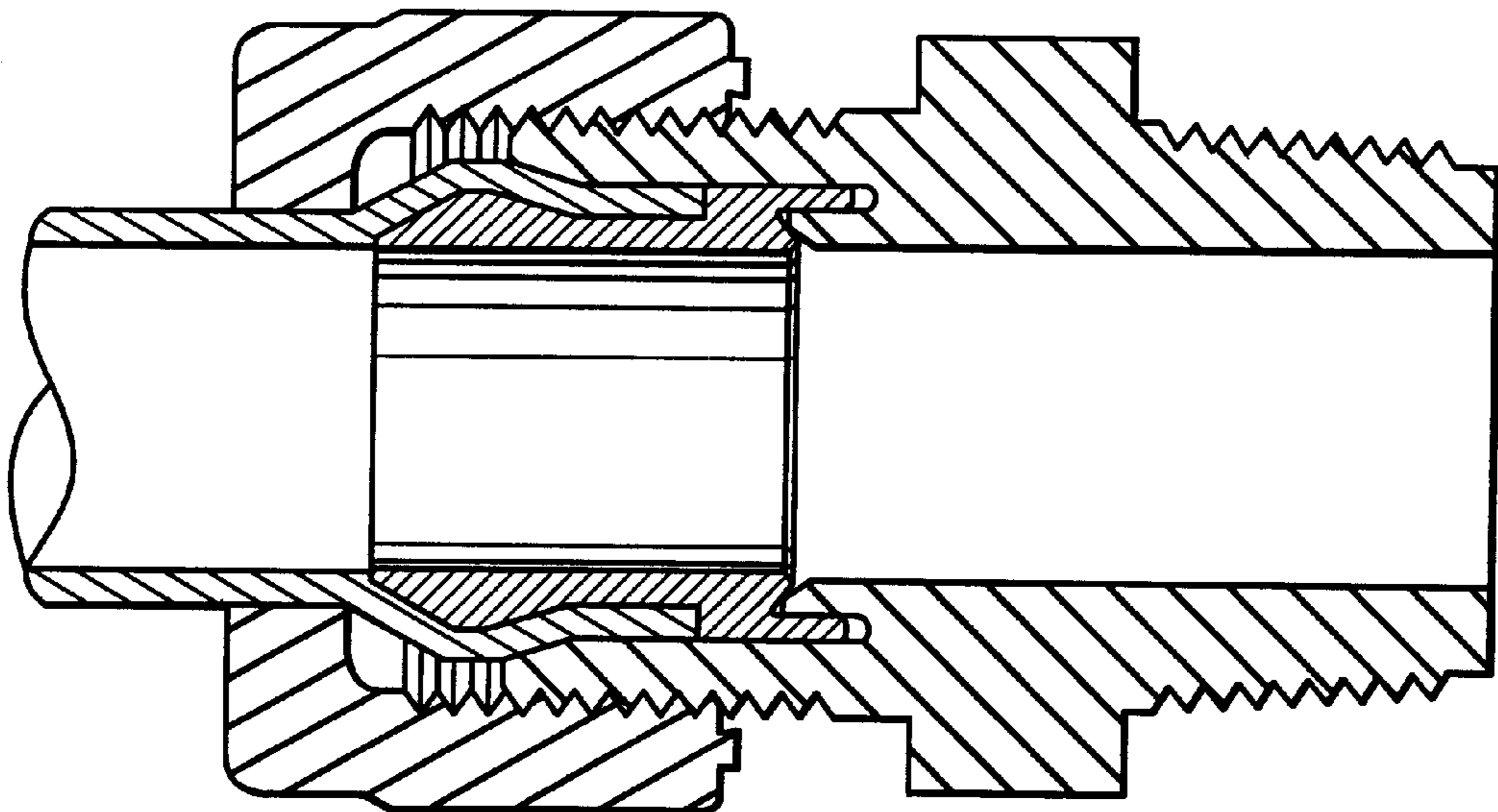


FIG. 8

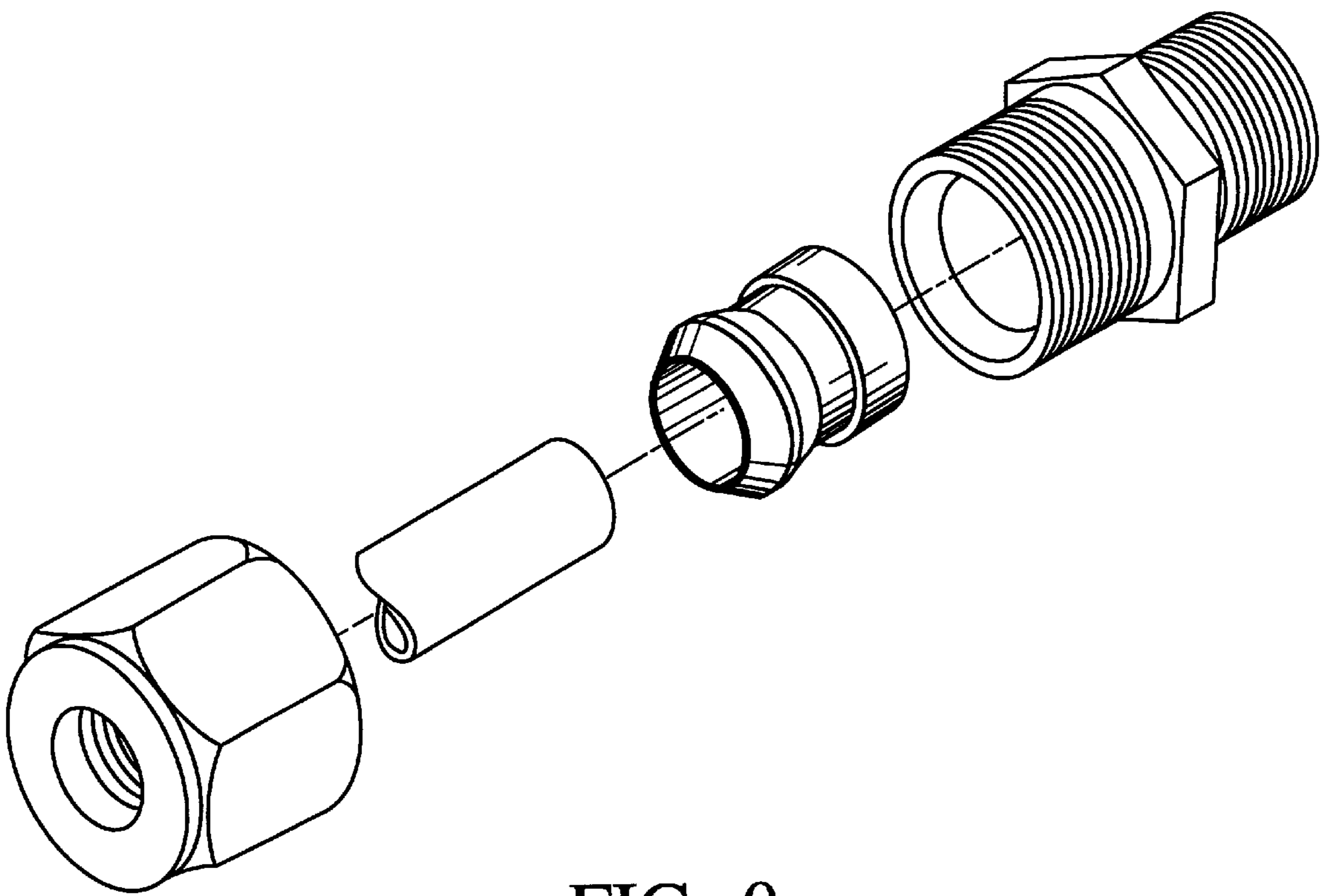


FIG. 9