



US00D464408S

(12) **United States Design Patent**
Gottwald

(10) **Patent No.:** **US D464,408 S**

(45) **Date of Patent:** **** Oct. 15, 2002**

(54) **DECK-MOUNT SPOUT WITH AERATOR**

(75) Inventor: **Adolf Gottwald, Iserlohn (DE)**

(73) Assignee: **Friedrich Grohe AG & Co. KG,**
Hemer (DE)

(**) Term: **14 Years**

(21) Appl. No.: **29/141,077**

(22) Filed: **Apr. 30, 2001**

(30) **Foreign Application Priority Data**

Nov. 24, 2000 (DE) 400 11 047

(51) **LOC (7) Cl.** **23-01**

(52) **U.S. Cl.** **D23/257; D23/255**

(58) **Field of Search** **D23/238-257;**
4/675-678; 137/801

(56) **References Cited**

U.S. PATENT DOCUMENTS

D311,438 S * 10/1990 Strignano D23/242

D350,183 S * 8/1994 Joerger D23/242

D420,430 S * 2/2000 Lobermeier D23/238

D445,875 S * 7/2001 Fleischmann D23/238

* cited by examiner

Primary Examiner—Louis S. Zarfaz

Assistant Examiner—Gregory Andoll

(74) *Attorney, Agent, or Firm*—Herbert Dubno

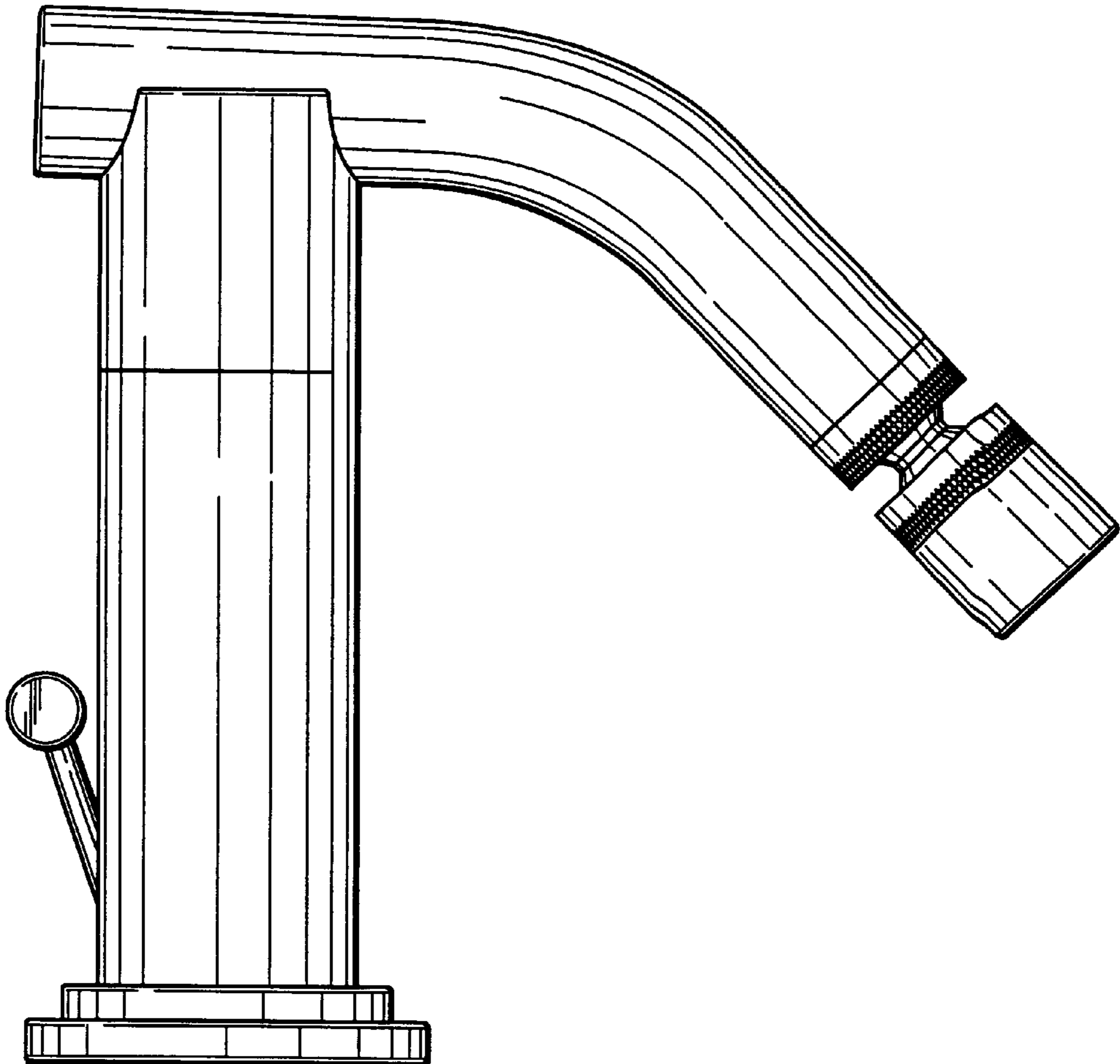
(57) **CLAIM**

The ornamental design for a deck-mount spout with aerator, as shown and described.

DESCRIPTION

FIG. 1 is a top, front, left-side perspective view of a deck-mount spout with aerator showing my new design; FIG. 2 is a front elevational view thereof; FIG. 3 is a rear elevational view thereof; FIG. 4 is a top plan view thereof; FIG. 5 is a left side elevational view thereof, the right side view being mirror symmetrical thereto; and, FIG. 6 is a bottom plan view thereof.

1 Claim, 3 Drawing Sheets



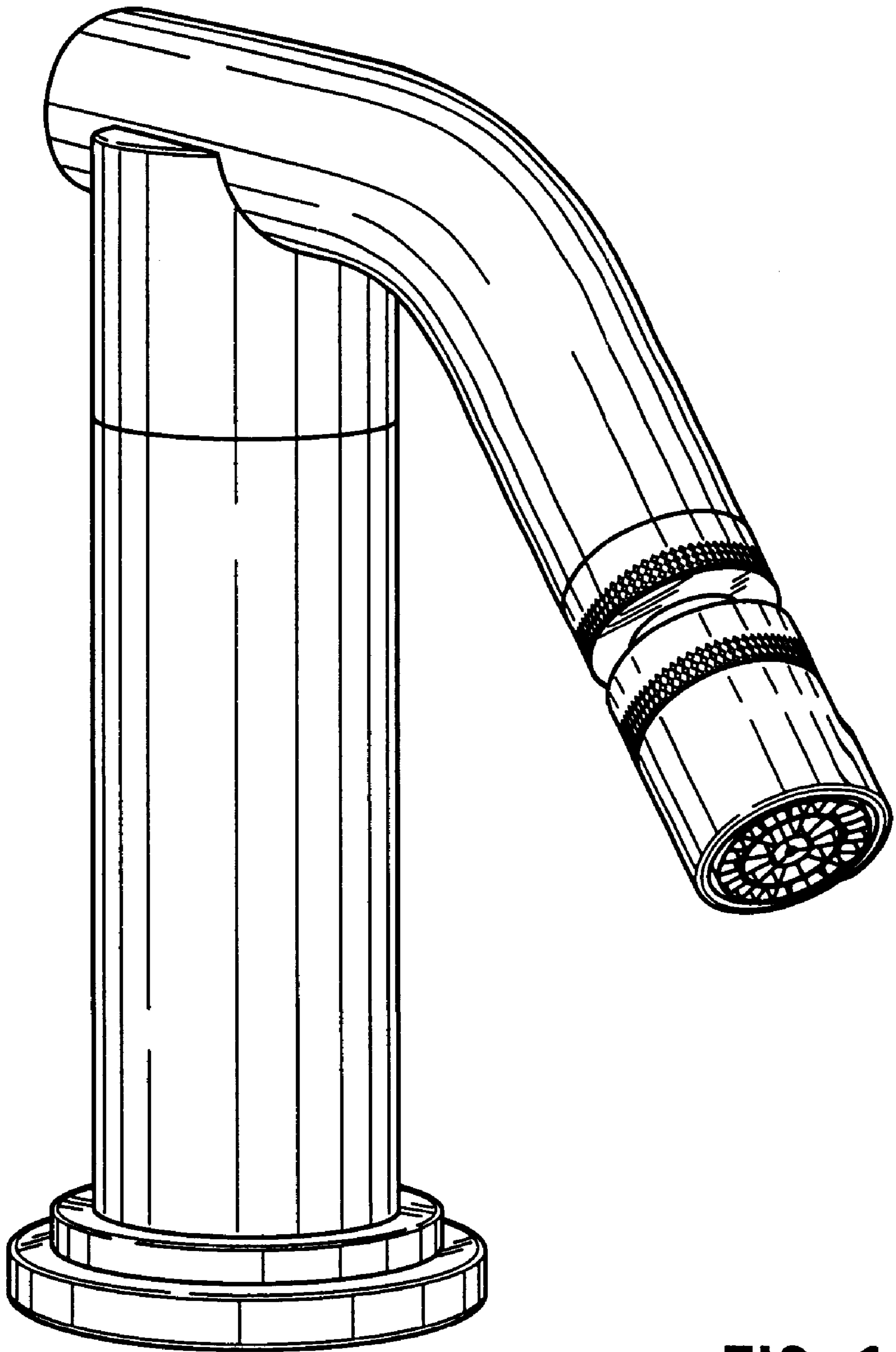


FIG. 1

FIG. 2

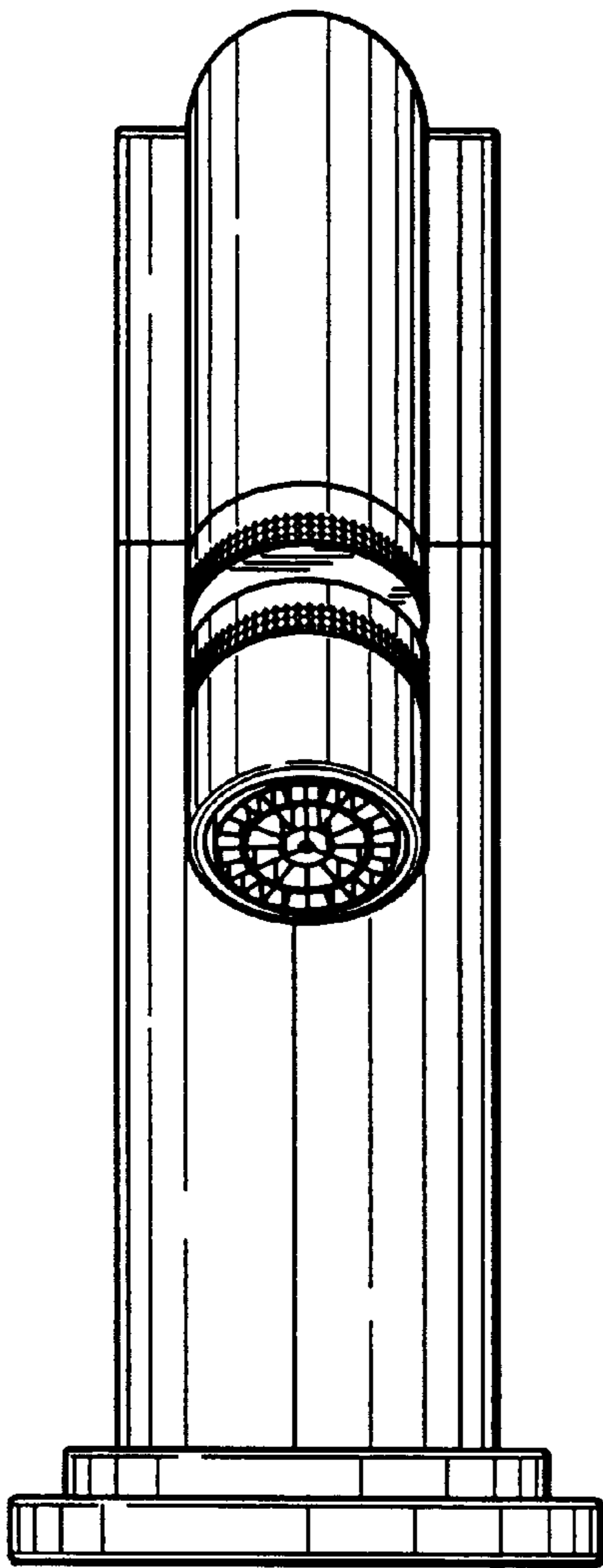
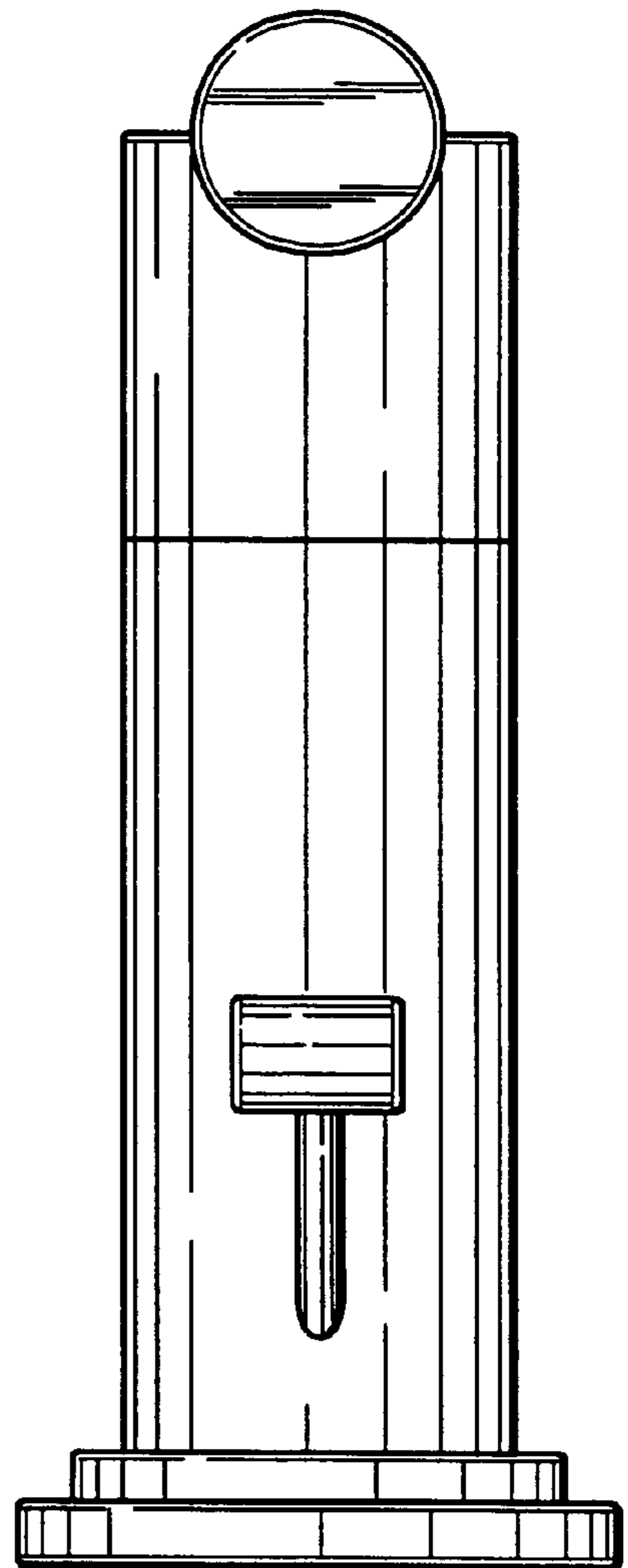


FIG. 3



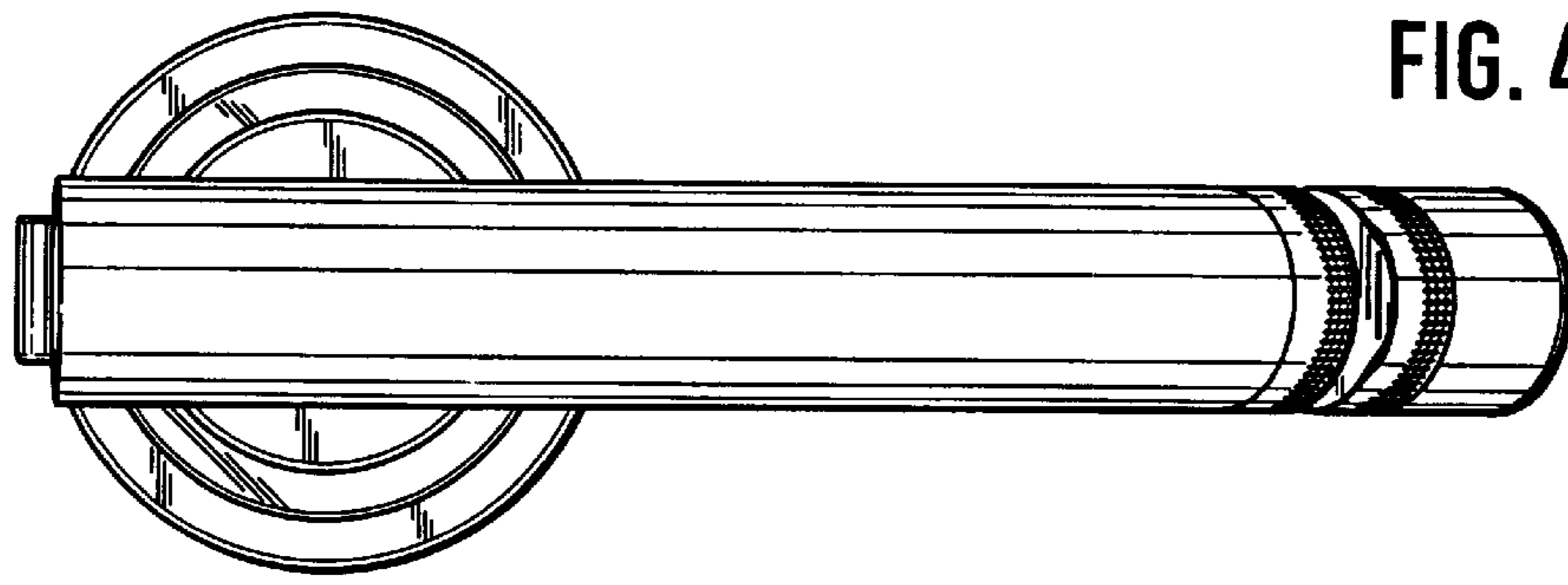


FIG. 4

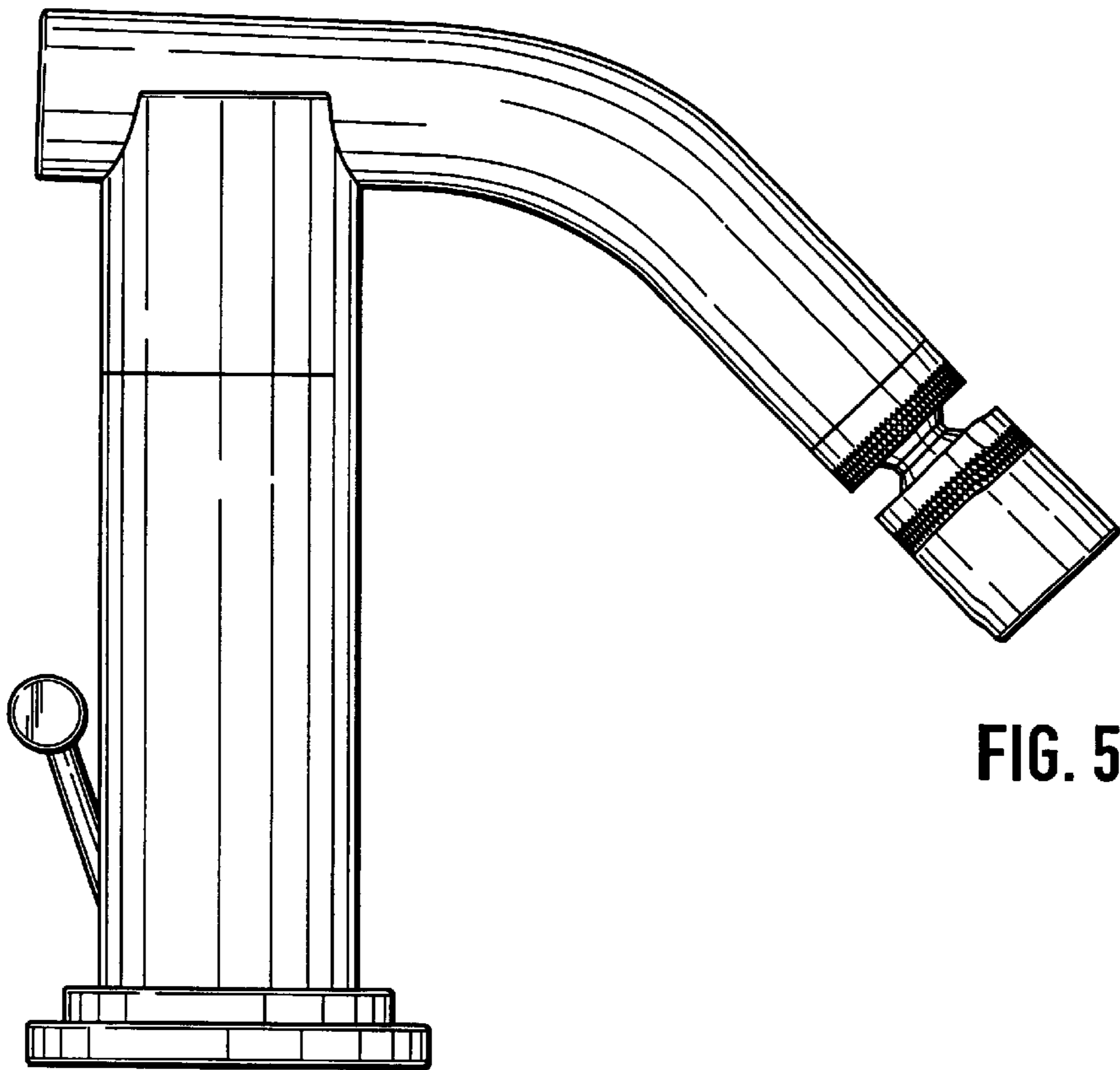


FIG. 5

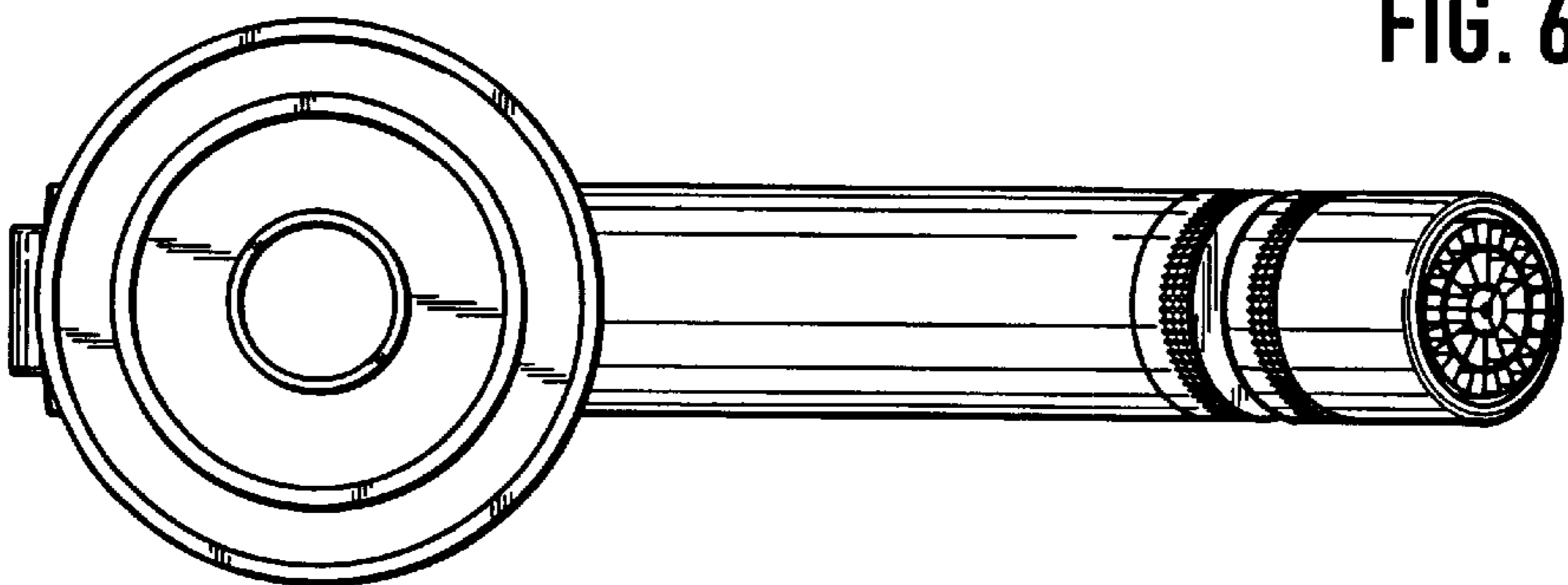


FIG. 6