



US00D464406S

(12) **United States Design Patent**
Gottwald

(10) **Patent No.:** **US D464,406 S**

(45) **Date of Patent:** **** Oct. 15, 2002**

(54) **DECK-MOUNT SPOUT**

(75) Inventor: **Adolf Gottwald**, Iserlohn (DE)

(73) Assignee: **Friedrich Grohe AG & Co. KG**,
Hemer (DE)

(**) Term: **14 Years**

(21) Appl. No.: **29/140,814**

(22) Filed: **Apr. 25, 2001**

(30) **Foreign Application Priority Data**

Nov. 11, 2000 (DE) 4 00 10 720

(51) **LOC (7) Cl.** **23-01**

(52) **U.S. Cl.** **D23/255**

(58) **Field of Search** D23/238-257;
4/675-678; 137/801

(56) **References Cited**

U.S. PATENT DOCUMENTS

D311,438 S * 10/1990 Strignano D23/242

D350,183 S * 8/1994 Joerger D23/242

D420,430 S * 2/2000 Lobermeier D23/238

D445,875 S * 7/2001 Fleischmann D23/238

* cited by examiner

Primary Examiner—Louis S. Zarfes

Assistant Examiner—Gregory Andoll

(74) *Attorney, Agent, or Firm*—Herbert Dubno

(57) **CLAIM**

The ornamental design for a deck-mount spout, as shown and described.

DESCRIPTION

FIG. 1 is a top, front, left-side perspective view of a deck-mount spout showing my new design;

FIG. 2 is a front elevational view thereof;

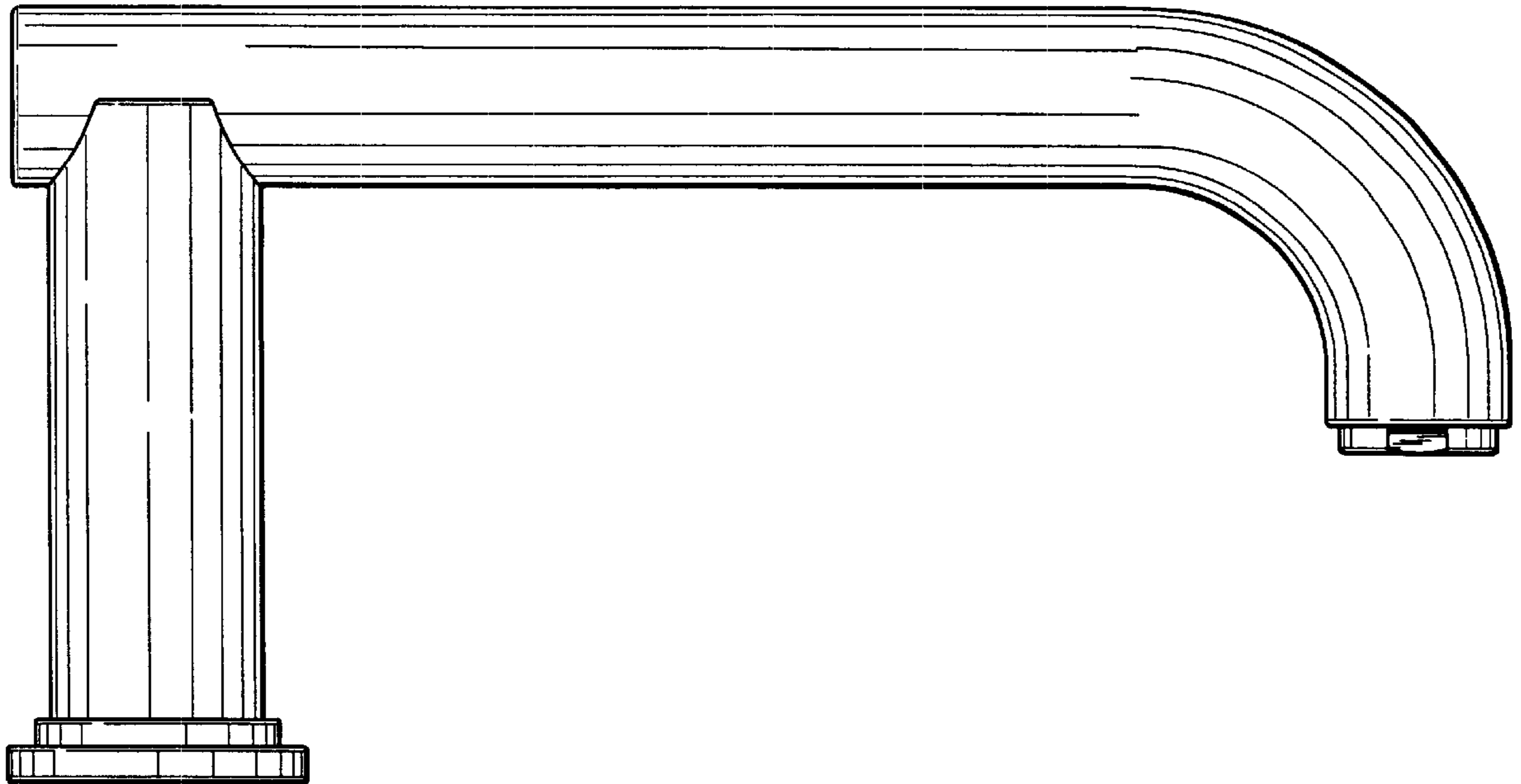
FIG. 3 is a rear elevational view thereof;

FIG. 4 is a top plan view thereof;

FIG. 5 is a left side elevational view thereof, the right side being mirror symmetrical thereto; and,

FIG. 6 is a bottom plan view thereof.

1 Claim, 2 Drawing Sheets



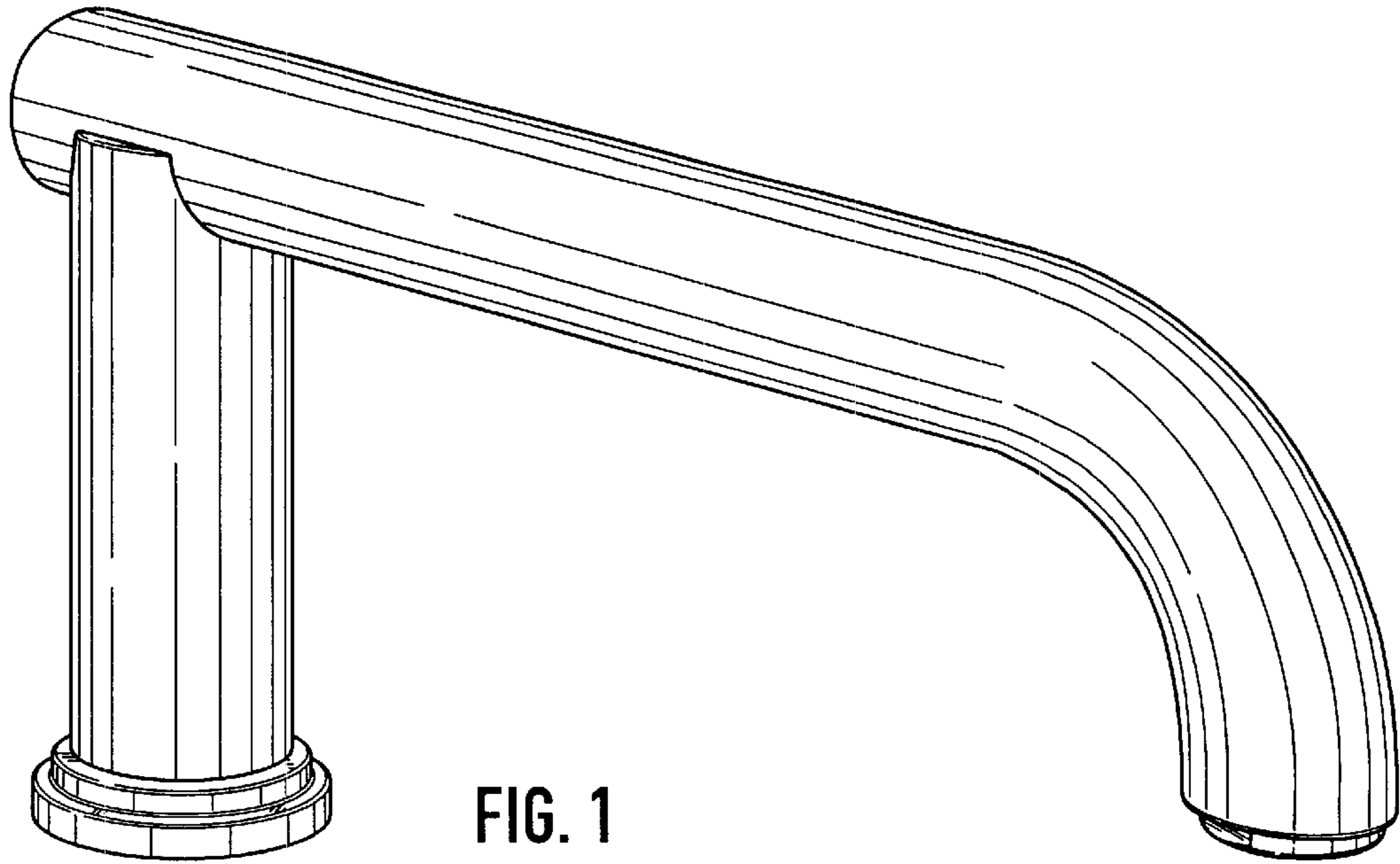


FIG. 1

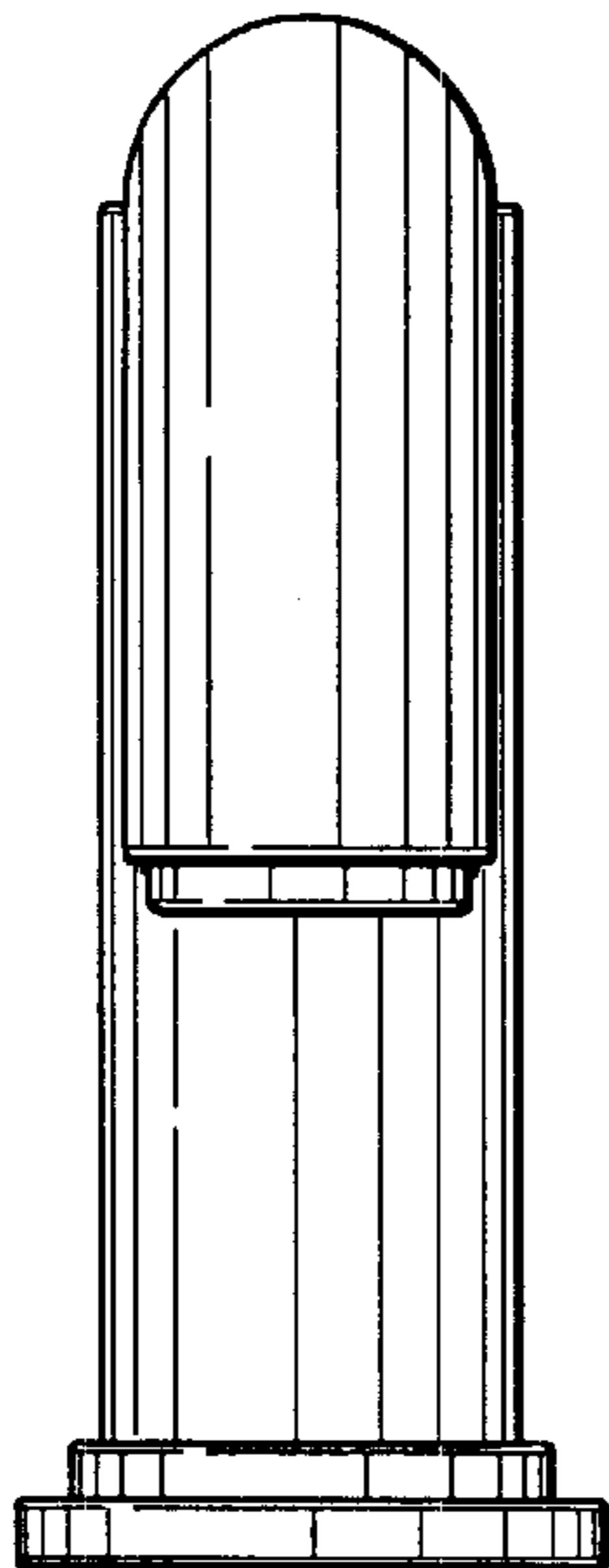


FIG. 2

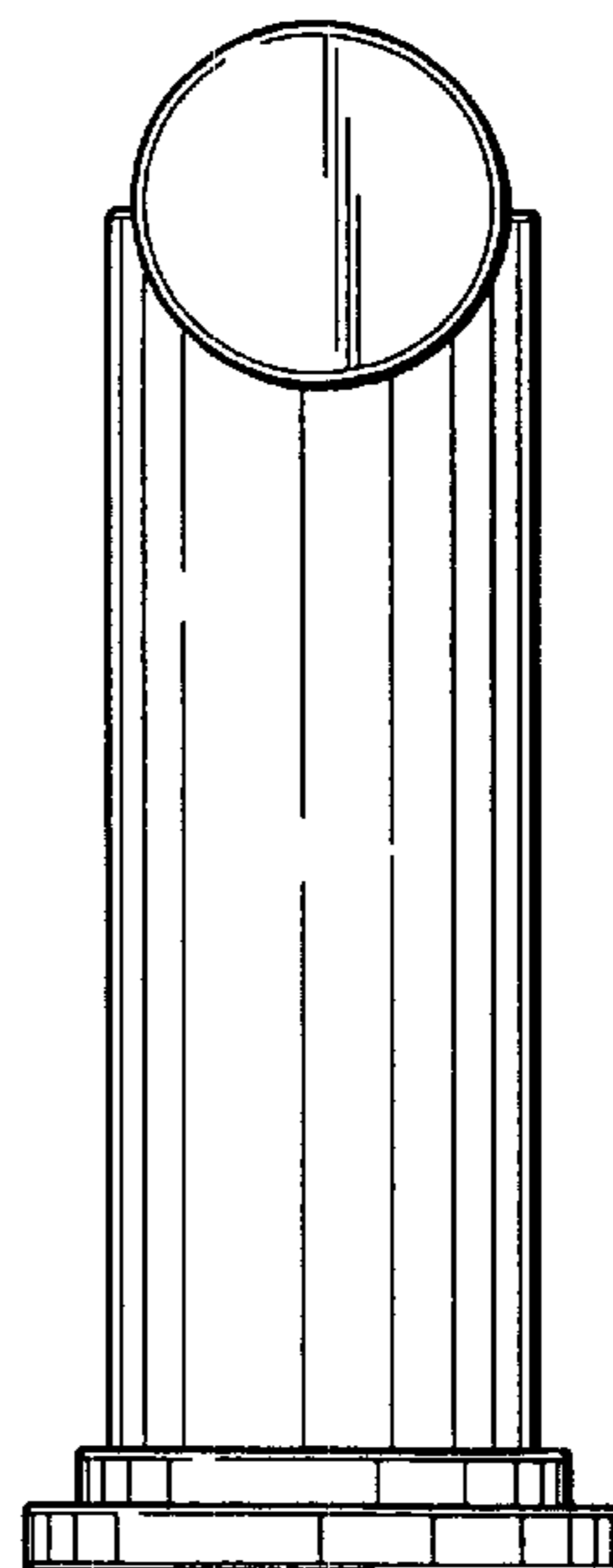


FIG. 3

FIG. 4

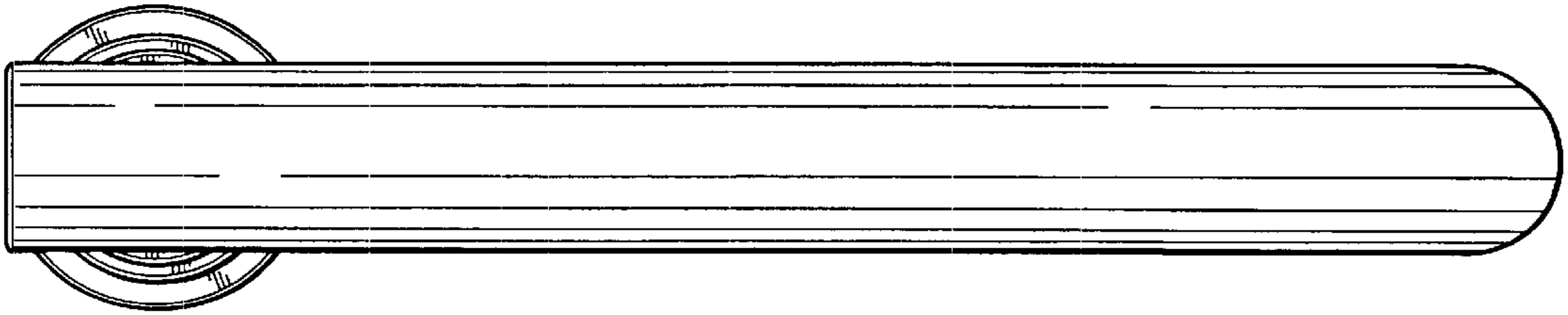


FIG. 5

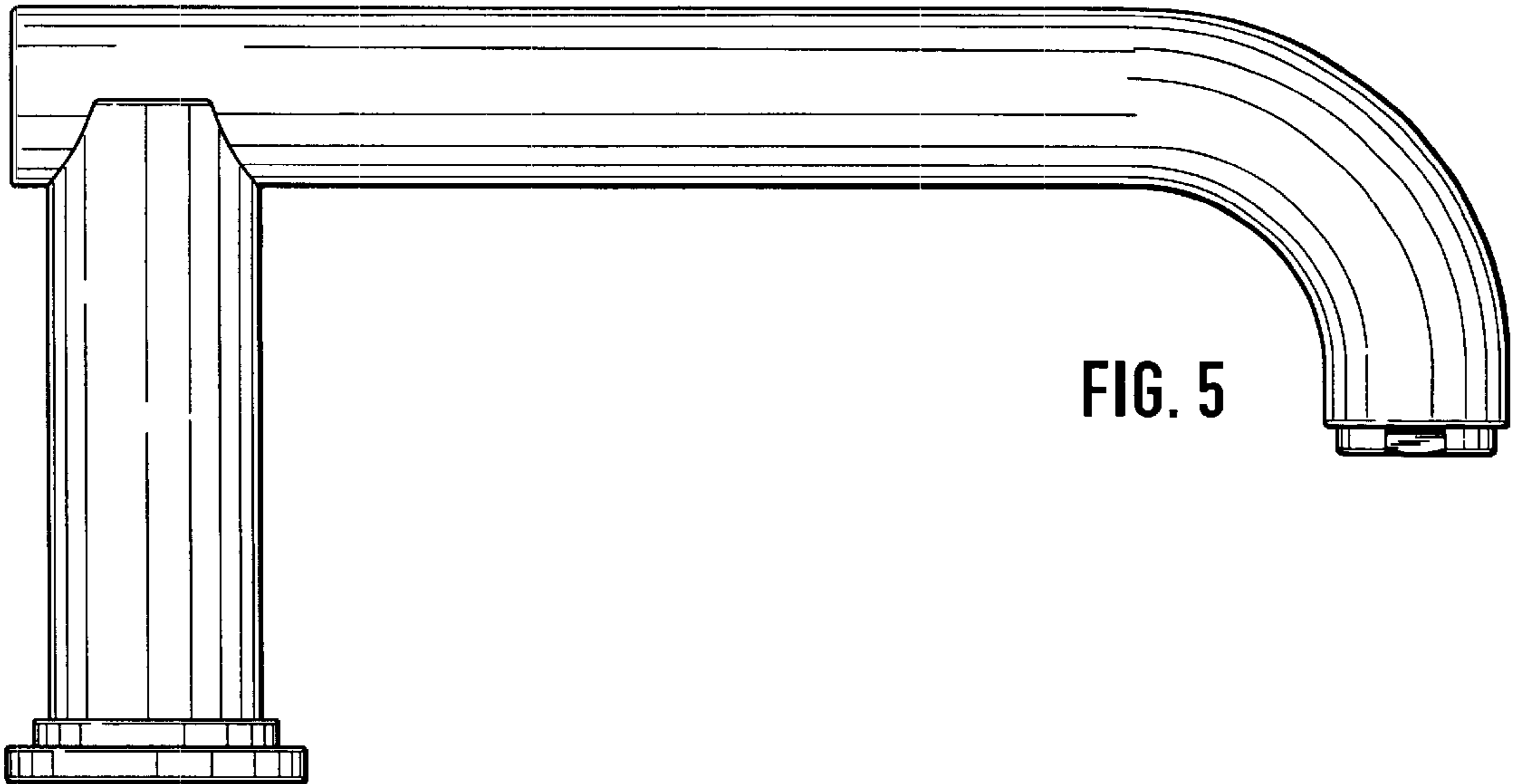


FIG. 6

