



US00D464404S

(12) **United States Design Patent**  
**Lord**

(10) **Patent No.:** **US D464,404 S**

(45) **Date of Patent:** **\*\* Oct. 15, 2002**

(54) **FAUCET HANDLE**

(75) Inventor: **Judd A. Lord**, Carmel, IN (US)

(73) Assignee: **Masco Corporation of Indiana**,  
Indianapolis, IN (US)

(\*\*) Term: **14 Years**

(21) Appl. No.: **29/136,769**

(22) Filed: **Feb. 7, 2001**

(51) **LOC (7) Cl.** ..... **23-01**

(52) **U.S. Cl.** ..... **D23/252**

(58) **Field of Search** ..... D23/238-257;  
D8/300-312, DIG. 3; 4/675-678; 16/110 R-125;  
137/801

U.S. patent application Ser. No. 29/136,765 filed Feb. 7, 2001.

U.S. patent application Ser. No. 29/136,782 filed Feb. 7, 2001.

U.S. patent application Ser. No. 29/136,804 filed Feb. 7, 2001.

U.S. patent application Ser. No. 29/136,805 filed Feb. 7, 2001.

U.S. patent application Ser. No. 29/136,833 filed Feb. 7, 2001.

U.S. patent application Ser. No. 29/136,836 filed Feb. 7, 2001.

U.S. patent application Ser. No. 29/136,839 filed Apr. 9, 2001.

U.S. patent application Ser. No. 29/136,845 filed Feb. 7, 2001.

\* cited by examiner

(56) **References Cited**

**U.S. PATENT DOCUMENTS**

D318,901 S	*	8/1991	Rodstein	.....	D23/238
D357,525 S	*	4/1995	Fabian	.....	D23/252
D365,384 S	*	12/1995	Robbins	.....	D23/252
D391,351 S	*	2/1998	Ko	.....	D23/250
D392,720 S	*	3/1998	Doughty et al.	.....	D23/250
D407,466 S	*	3/1999	Hundley et al.	.....	D23/252
D433,106 S		10/2000	Spangler		
D433,735 S	*	11/2000	Lord	.....	D23/252
D434,118 S	*	11/2000	Lord	.....	D23/252
D436,397 S		1/2001	Lord		
D439,954 S		4/2001	Spangler		
D439,955 S		4/2001	Spangler		
D442,672 S	*	5/2001	Lord	.....	D23/252
D443,678 S	*	6/2001	Lord	.....	D23/252
D448,068 S	*	9/2001	Lord	.....	D23/254
D454,176 S	*	3/2002	Lord	.....	D23/254

**OTHER PUBLICATIONS**

U.S. patent application Ser. No. 29/136,750 filed Feb. 7, 2001.

U.S. patent application Ser. No. 29/136,752 filed Feb. 7, 2001.

U.S. patent application Ser. No. 29/136,756 filed Feb. 7, 2001.

U.S. patent application Ser. No. 29/136,760 filed Feb. 7, 2001.

*Primary Examiner*—Louis S. Zarfes

*Assistant Examiner*—Gregory Andoll

(74) *Attorney, Agent, or Firm*—Myron B. Kapustij; Lloyd D. Doigan

(57) **CLAIM**

The ornamental design for a faucet handle, as shown and described.

**DESCRIPTION**

FIG. 1 is a perspective view of the faucet handle showing my new design;

FIG. 2 is a perspective view of an alternate embodiment of the faucet handle shown in FIG. 1, the only difference being that the faucet handle blade points to the left;

FIG. 3 is a top plan view of the faucet handle shown in FIG. 1;

FIG. 4 is a right side elevational view thereof;

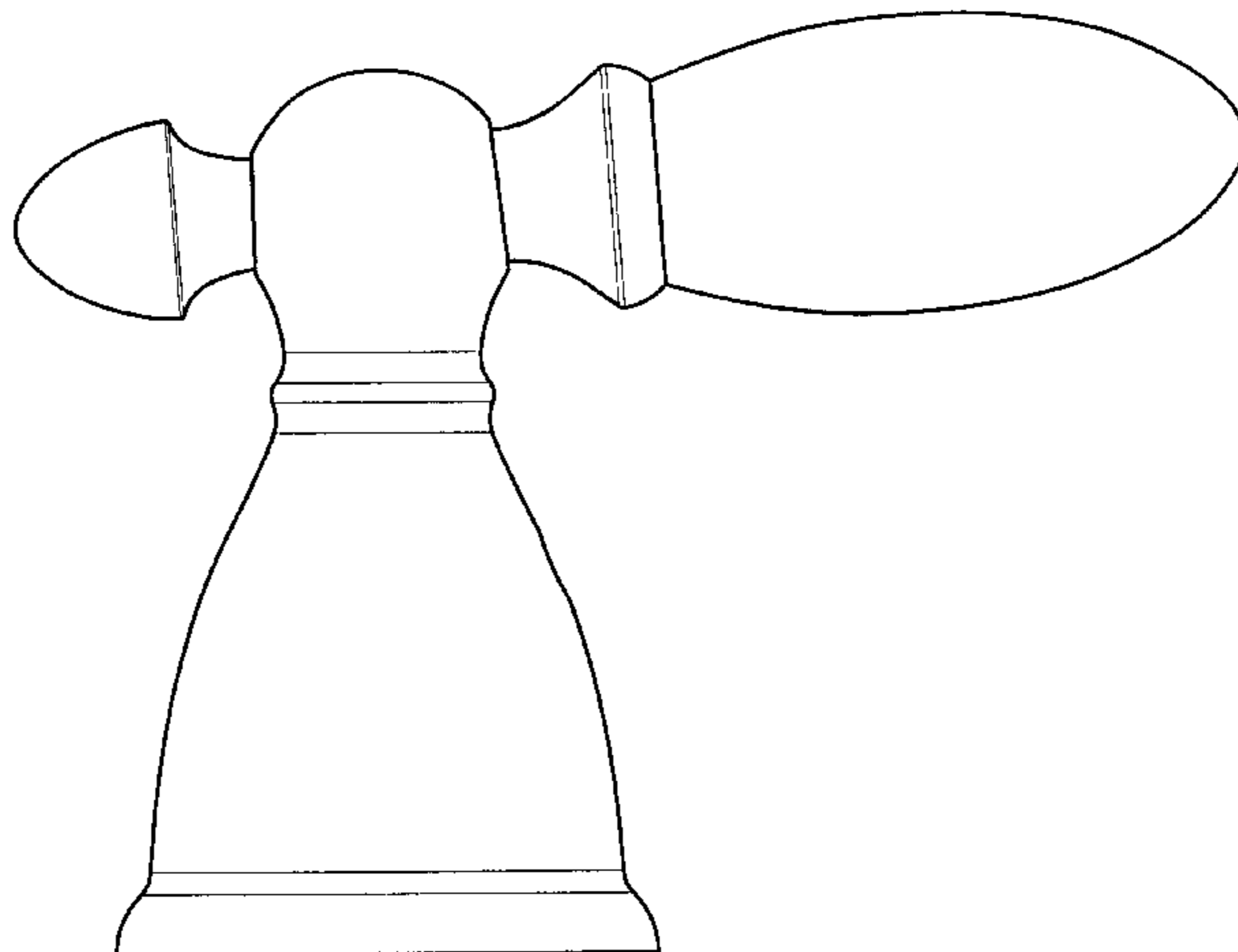
FIG. 5 is a front elevational view thereof, the rear being a mirror image of the front shown;

FIG. 6 is a left side elevational view thereof; and,

FIG. 7 is a bottom plan view thereof.

The other views of the second embodiment are mirror images of FIGS. 3-7.

**1 Claim, 4 Drawing Sheets**



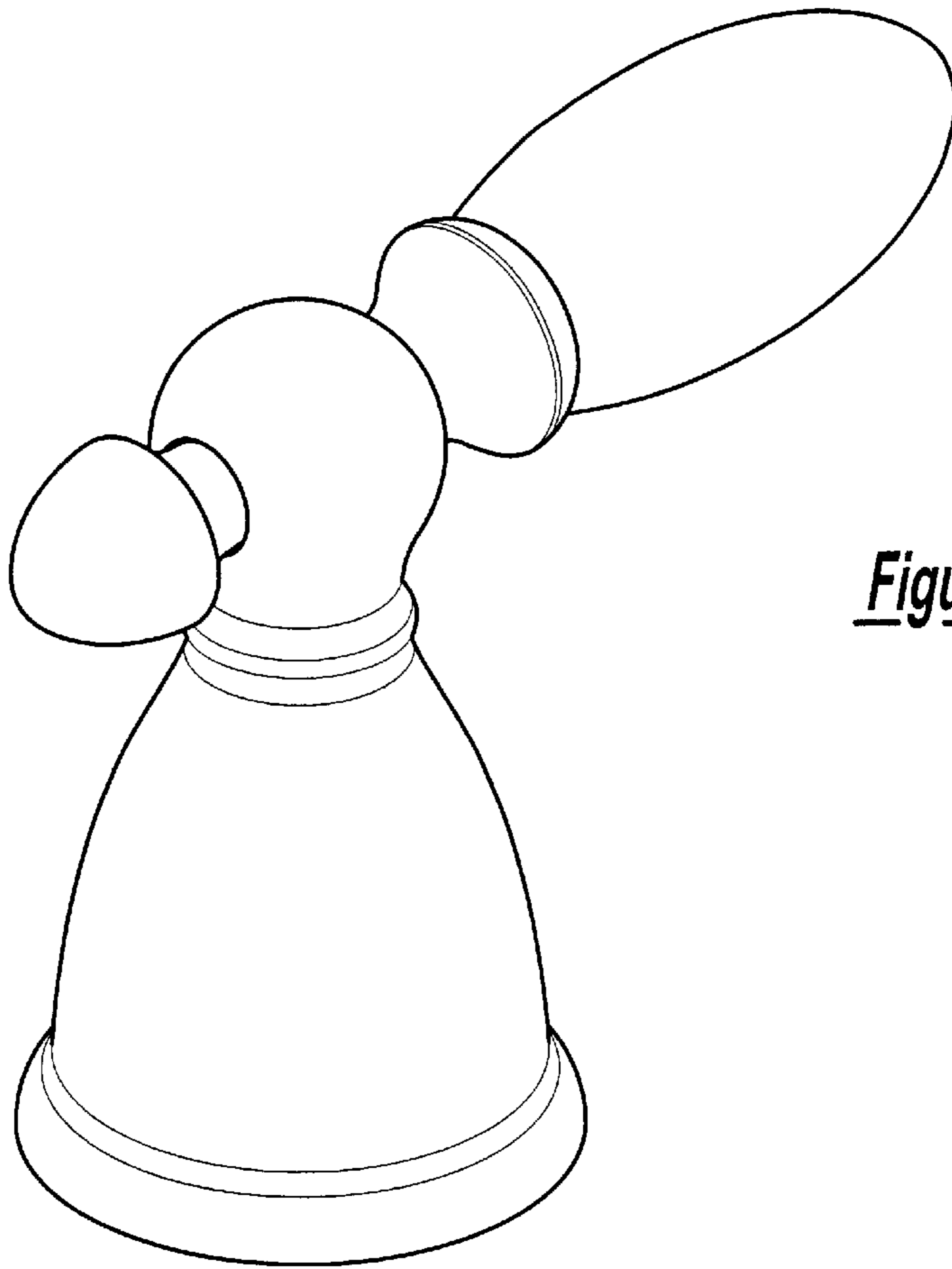


Figure - 1

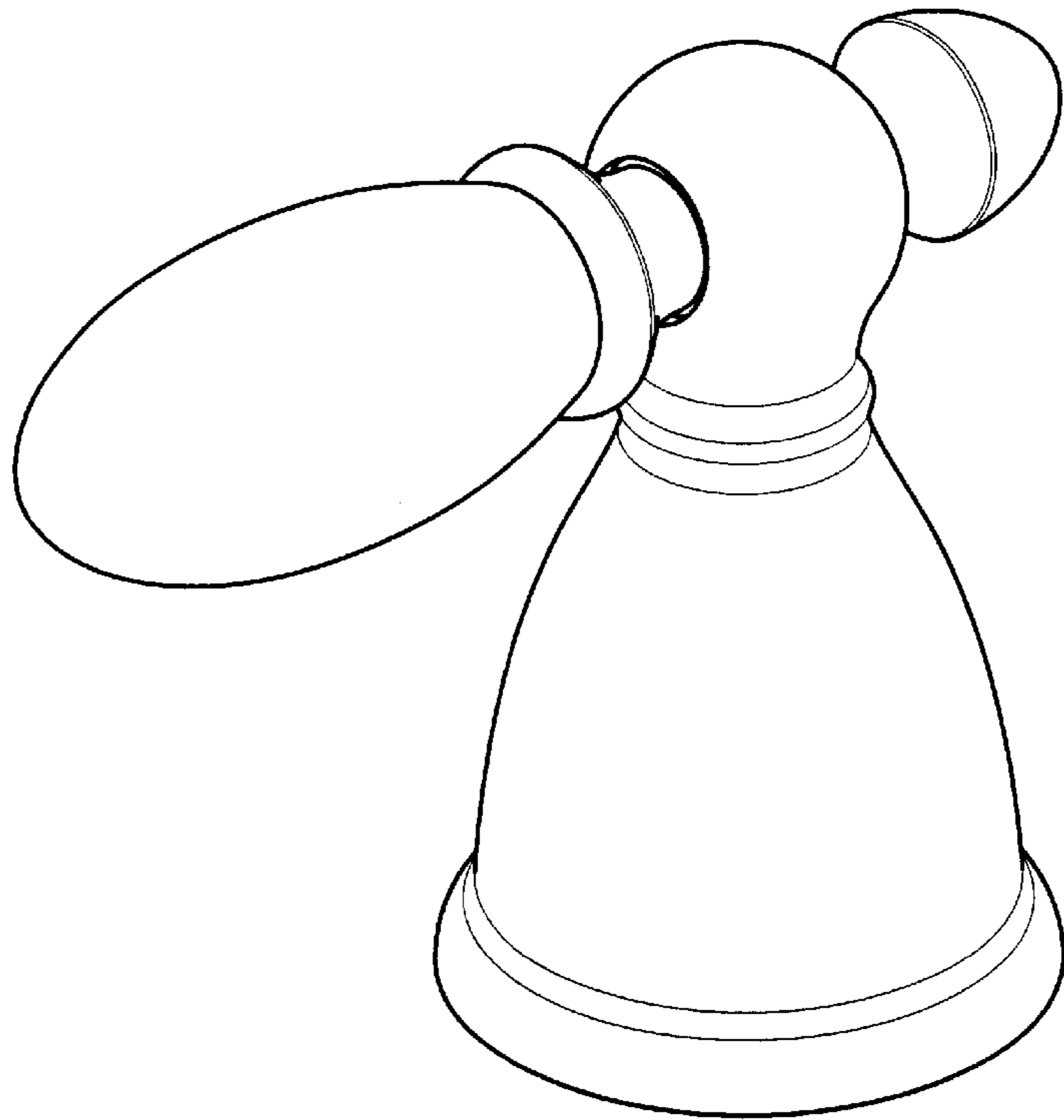


Figure - 2

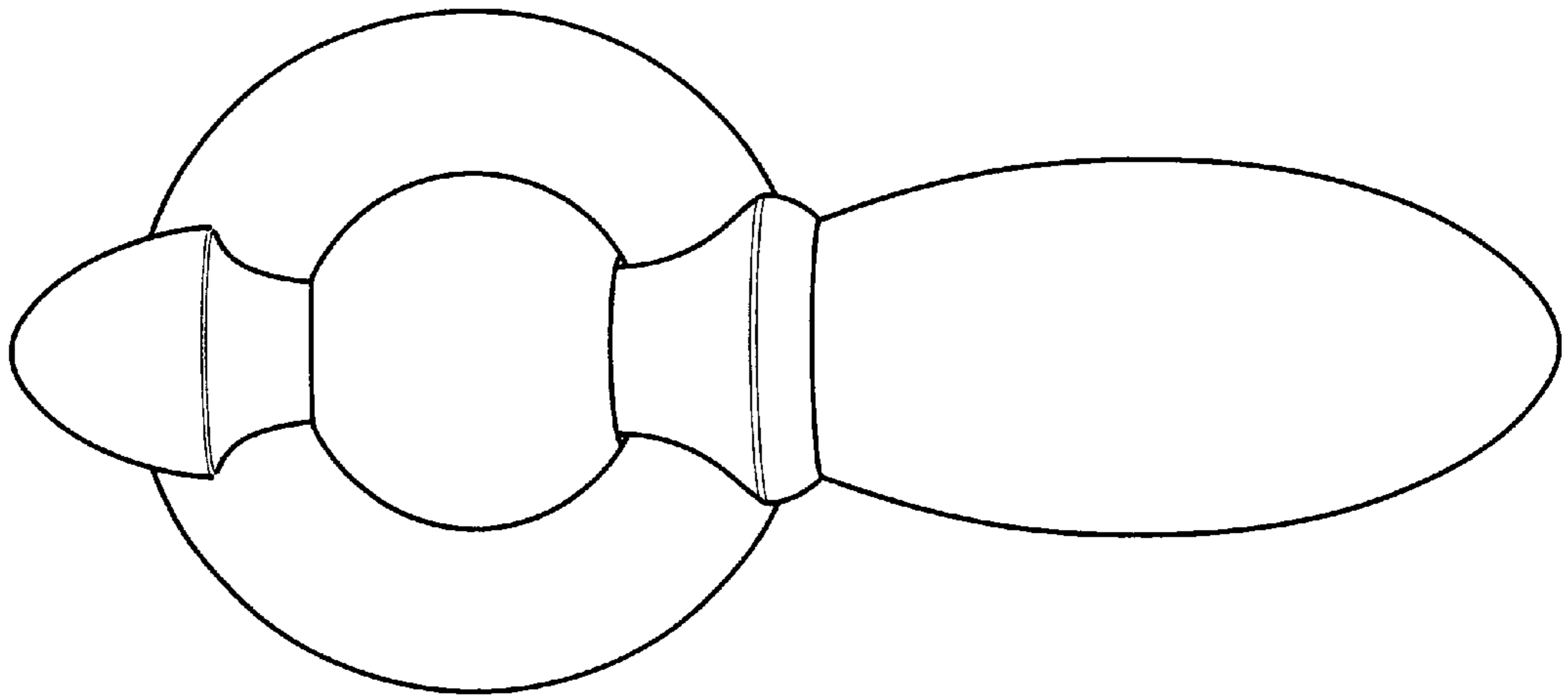
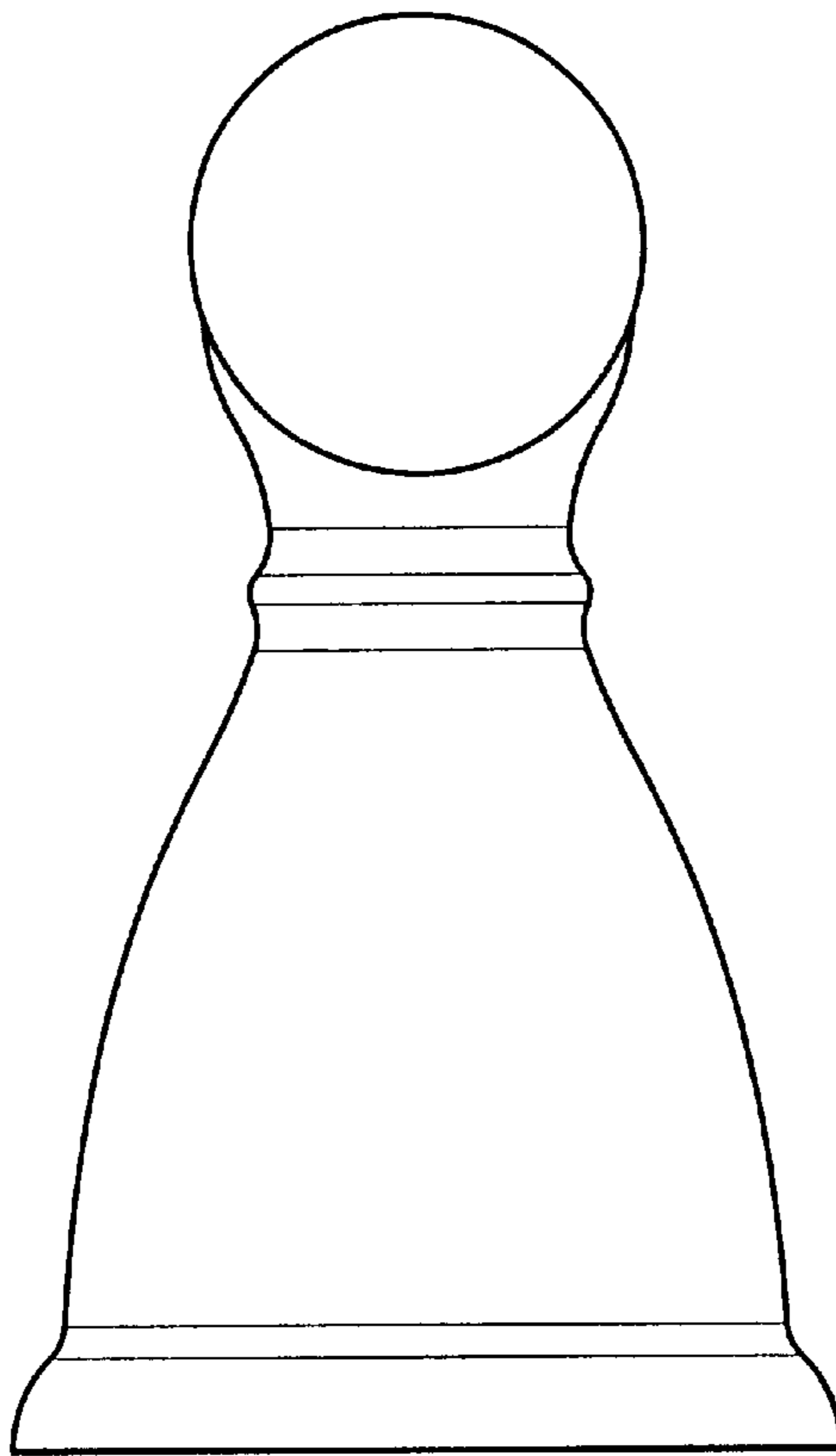


Figure - 3

Figure - 4



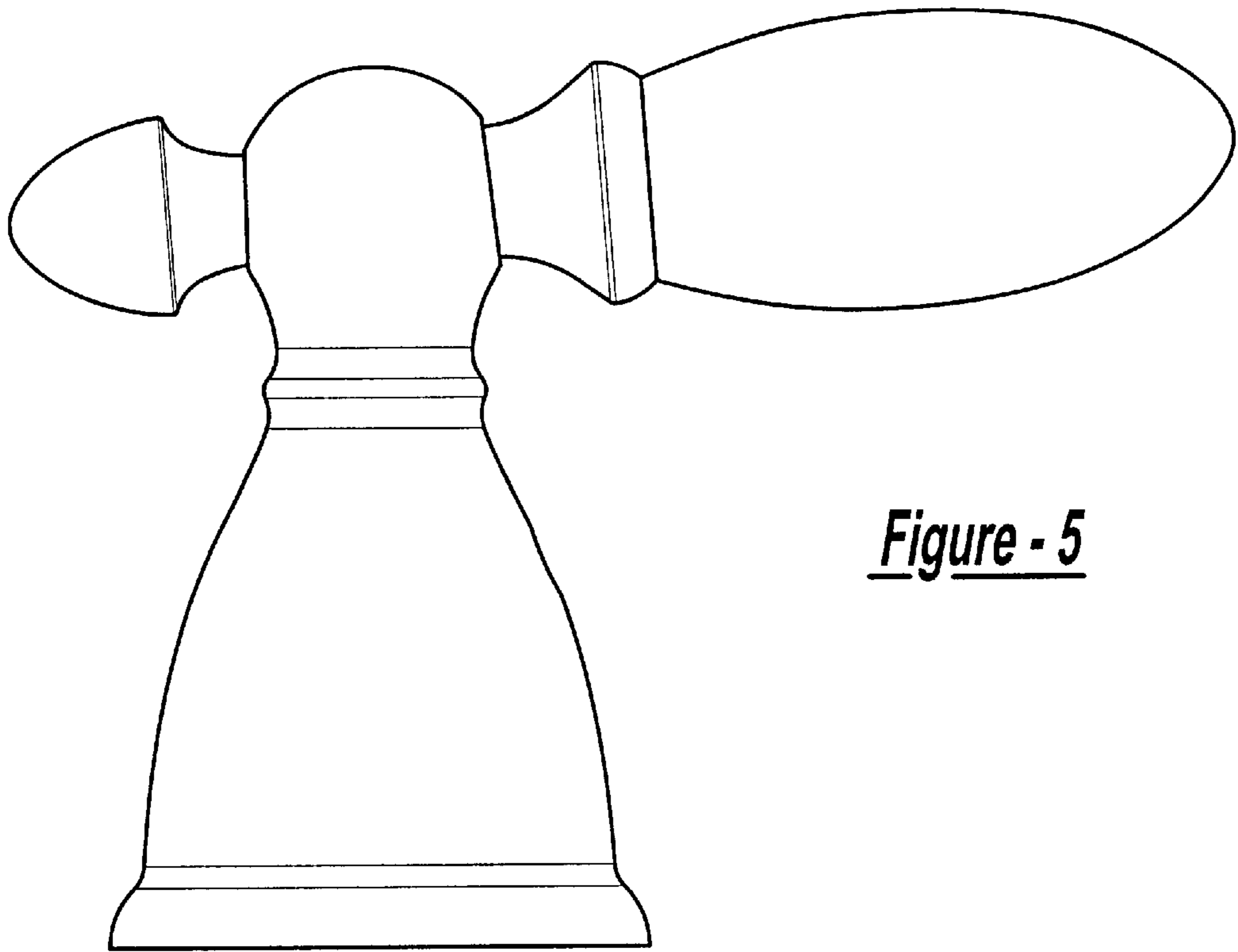
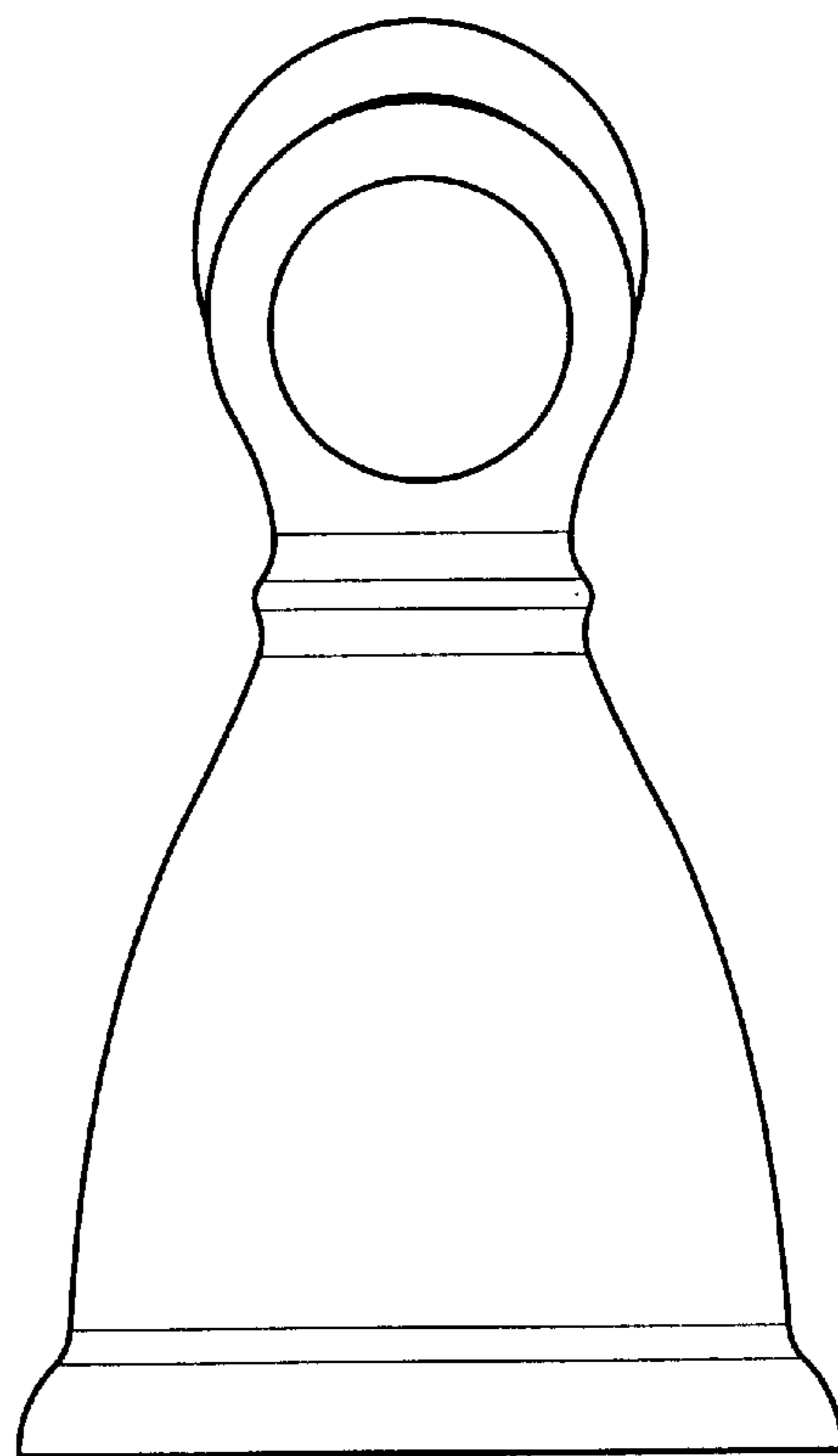


Figure - 5

Figure - 6



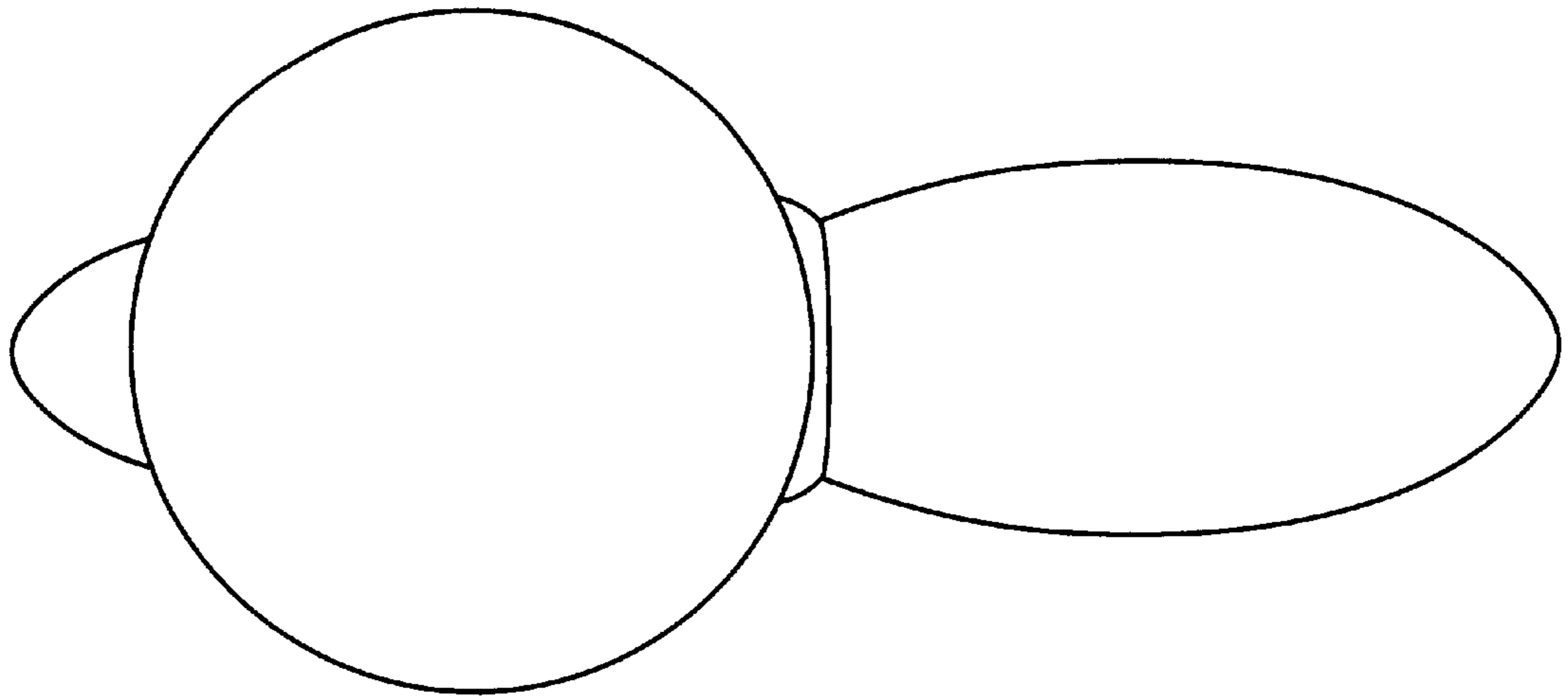


Figure - 7