



US00D464403S

(12) **United States Design Patent** (10) **Patent No.:** **US D464,403 S**
Haug et al. (45) **Date of Patent:** **** Oct. 15, 2002**

(54) **SANITARY FAUCET**

(75) Inventors: **Andreas Haug**, Stuttgart (DE);
Thomas Schönherr, Stuttgart (DE);
Andreas Dimitriadis, Leinzell (DE)

(73) Assignee: **Hansgrohe AG**, Schiltach (DE)

(**) Term: **14 Years**

(21) Appl. No.: **29/148,381**

(22) Filed: **Sep. 19, 2001**

(30) **Foreign Application Priority Data**

Mar. 21, 2001 (DE) 401 02 939

(51) **LOC (7) Cl.** **23-01**

(52) **U.S. Cl.** **D23/238**

(58) **Field of Search** D23/238-257;
4/675-678; 137/801

(56) **References Cited**

U.S. PATENT DOCUMENTS

D87,328 S	*	7/1932	Brotz	D23/243
D293,362 S	*	12/1987	Hill et al.	D23/241
D375,345 S	*	11/1996	Warshawsky	D23/241

OTHER PUBLICATIONS

Brochure by Kludi, pp. 4, 5 and 45 (Aug., 2000).
 Brochure by Cristina, two pages, (Jul., 2000).
 Brochure by Dornbracht, *Dreamworks*, two pages (May, 1998).

Catalog by hansgrohe Axor, *Die Kollektion 2000*, four pages.

Brochure by Painsi, 2 pages (1999).

“newform” catalog, two pages (1999).

Brochure by Dornbracht, *Kultur im Bad*, pp. 30, 31, 68 and 69 (Jul., 1996).

* cited by examiner

Primary Examiner—Louis S. Zarfes

Assistant Examiner—Gregory Andoll

(74) *Attorney, Agent, or Firm*—Duane Morris LLP

(57) **CLAIM**

The ornamental design for a sanitary faucet, as shown and described.

DESCRIPTION

FIG. 1 is a side perspective view of the sanitary faucet showing our new design;

FIG. 2 is a bottom plan view thereof;

FIG. 3 is a top plan view thereof;

FIG. 4 is a side elevation view thereof, the opposite side being a mirror image;

FIG. 5 is a rear elevation view thereof; and,

FIG. 6 is a front elevation view thereof.

1 Claim, 3 Drawing Sheets

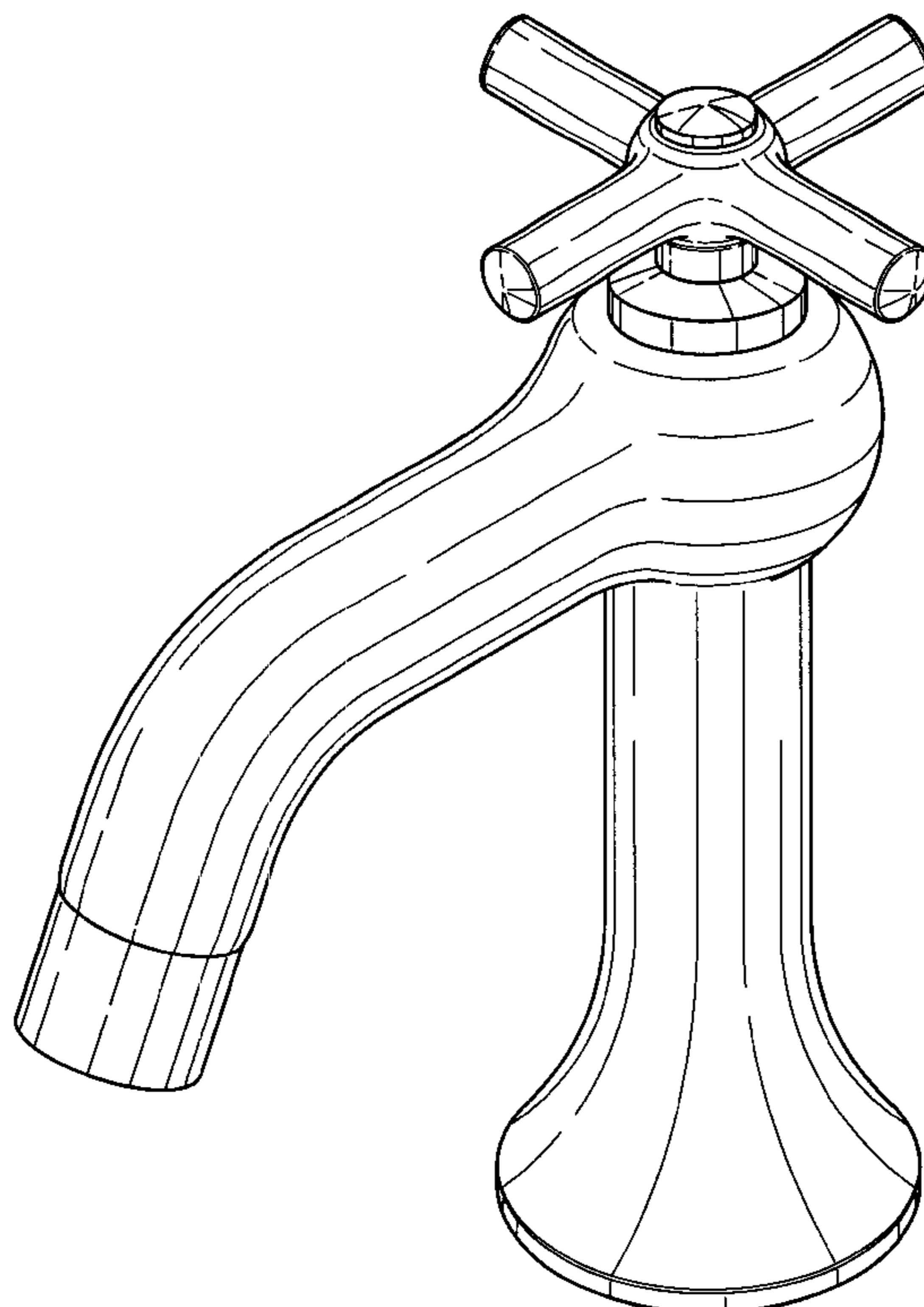


FIG. 1

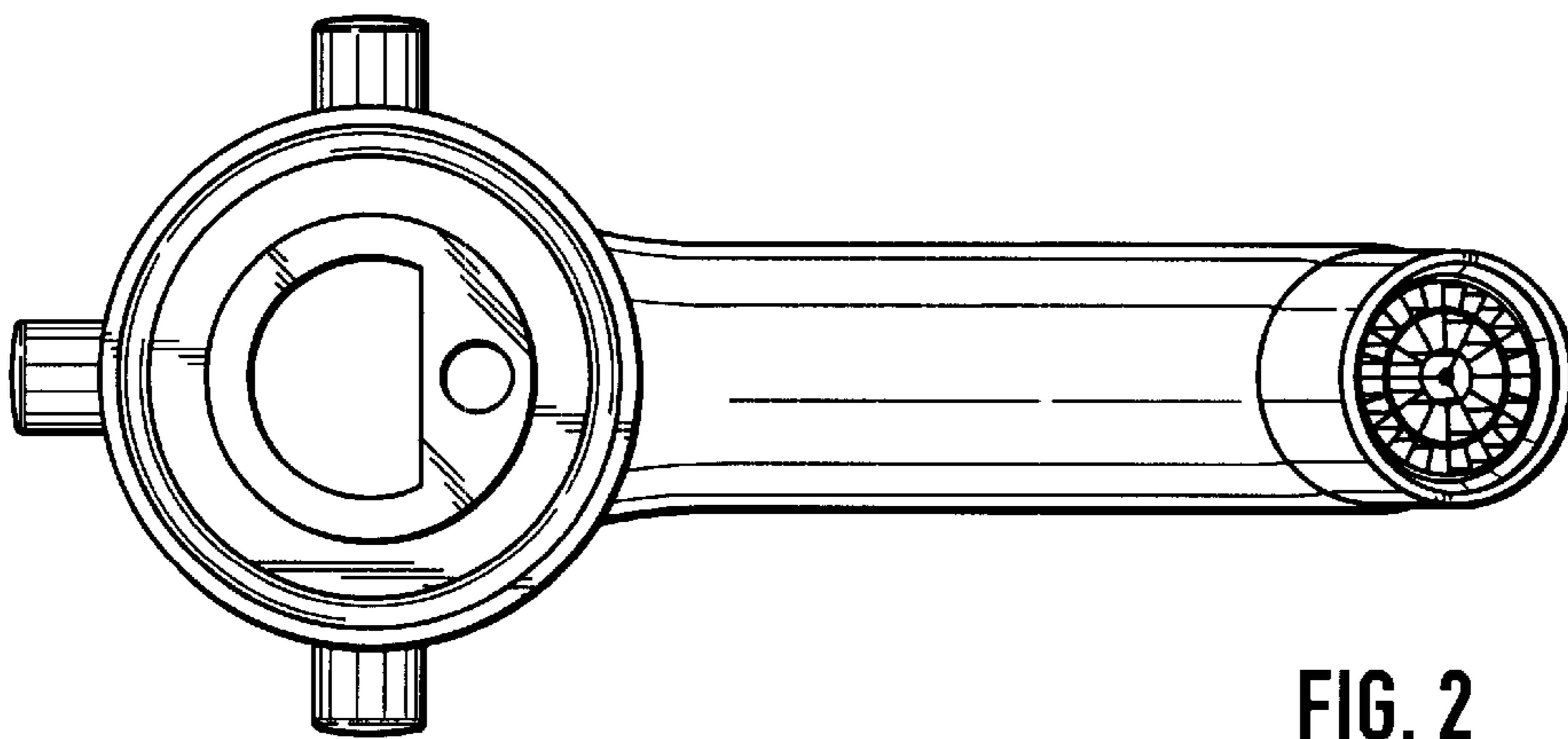
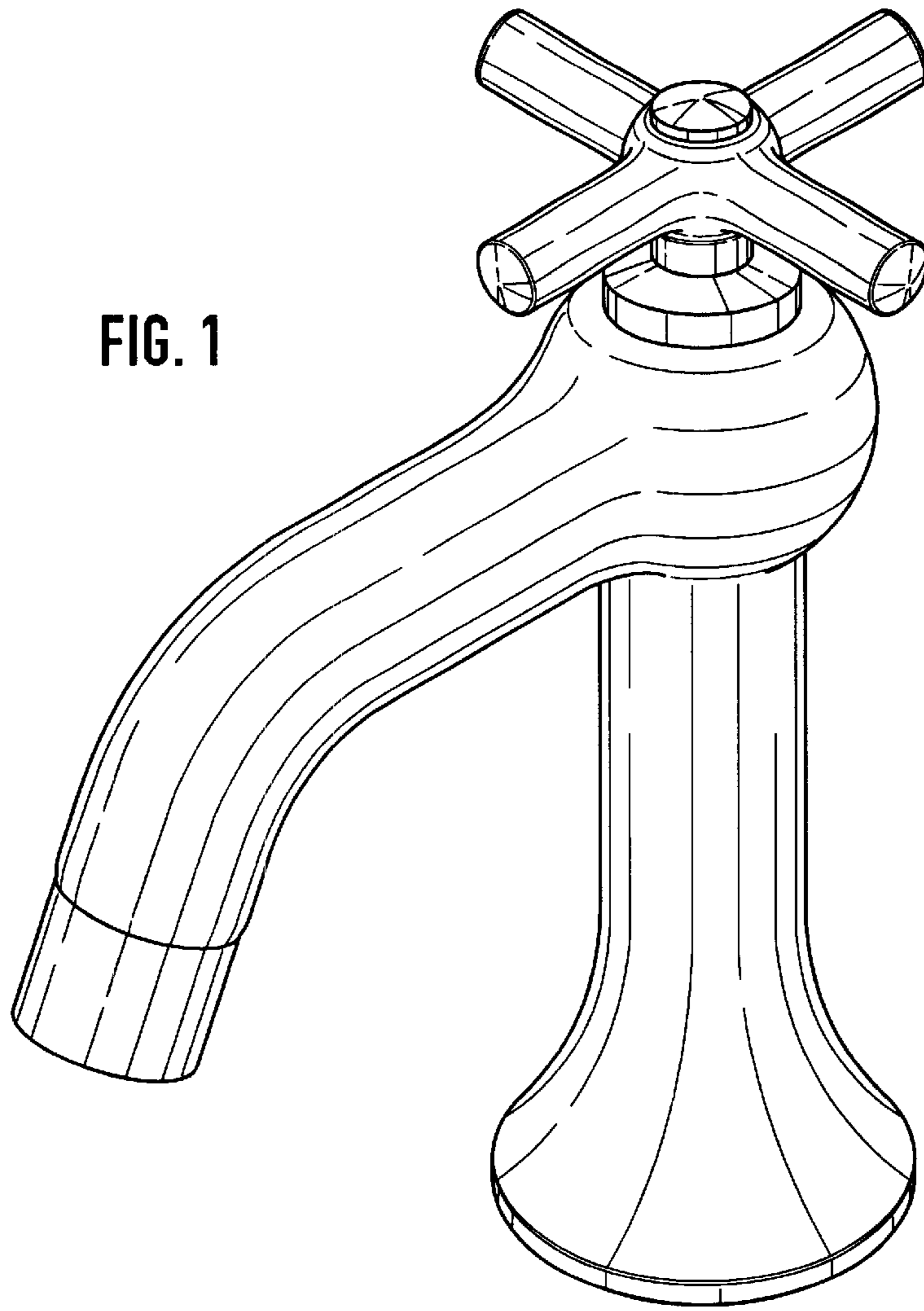


FIG. 2

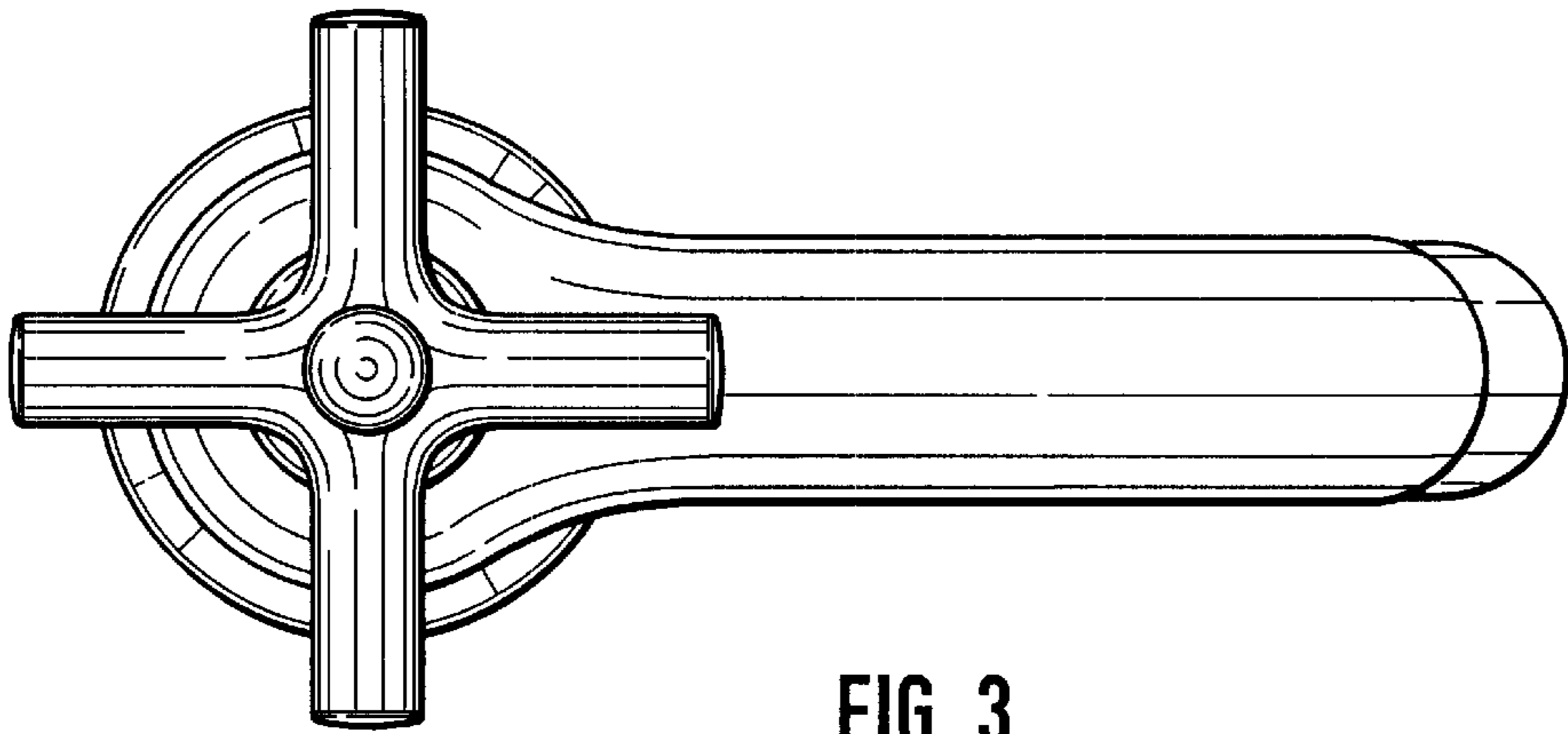


FIG. 3

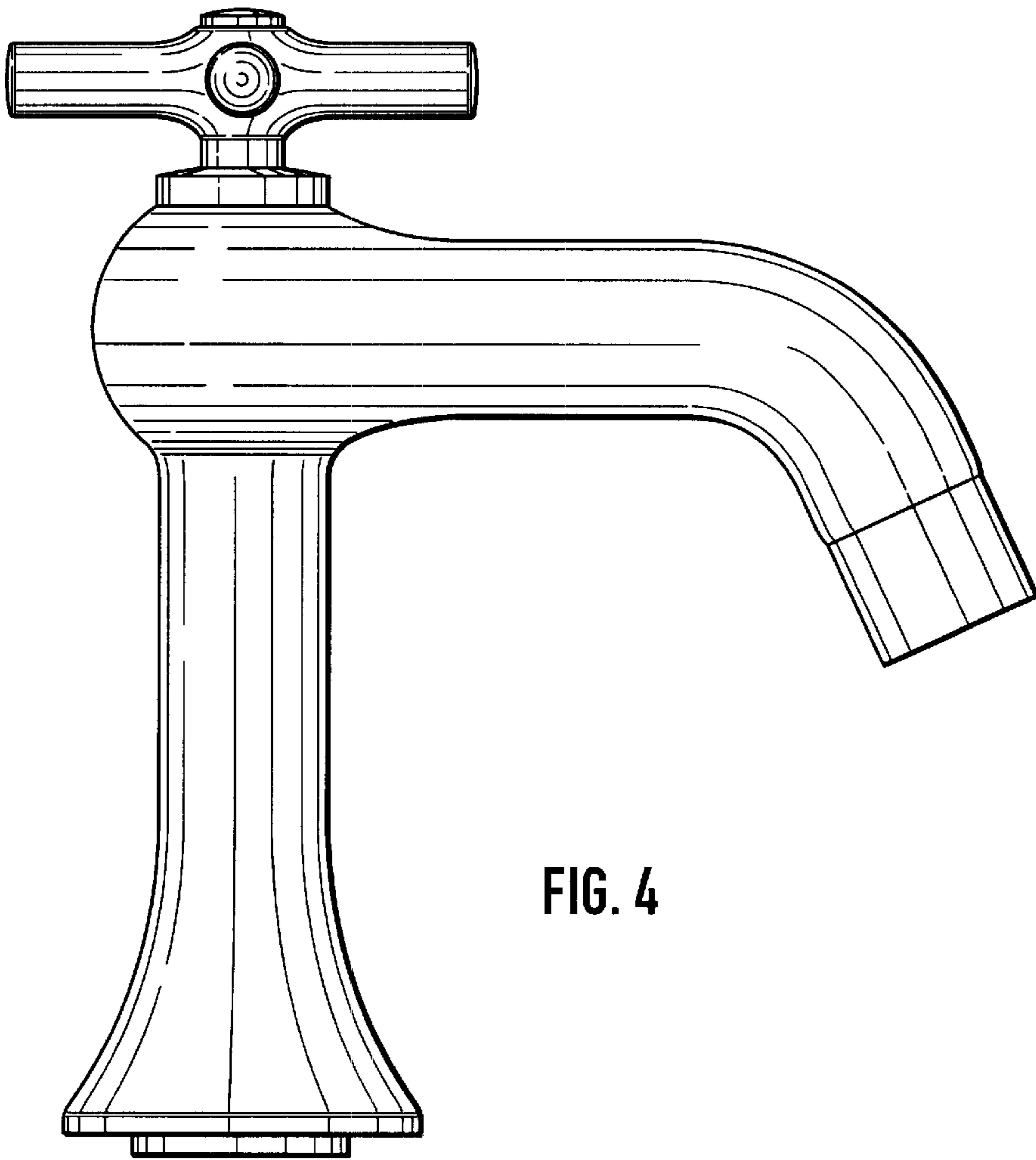


FIG. 4

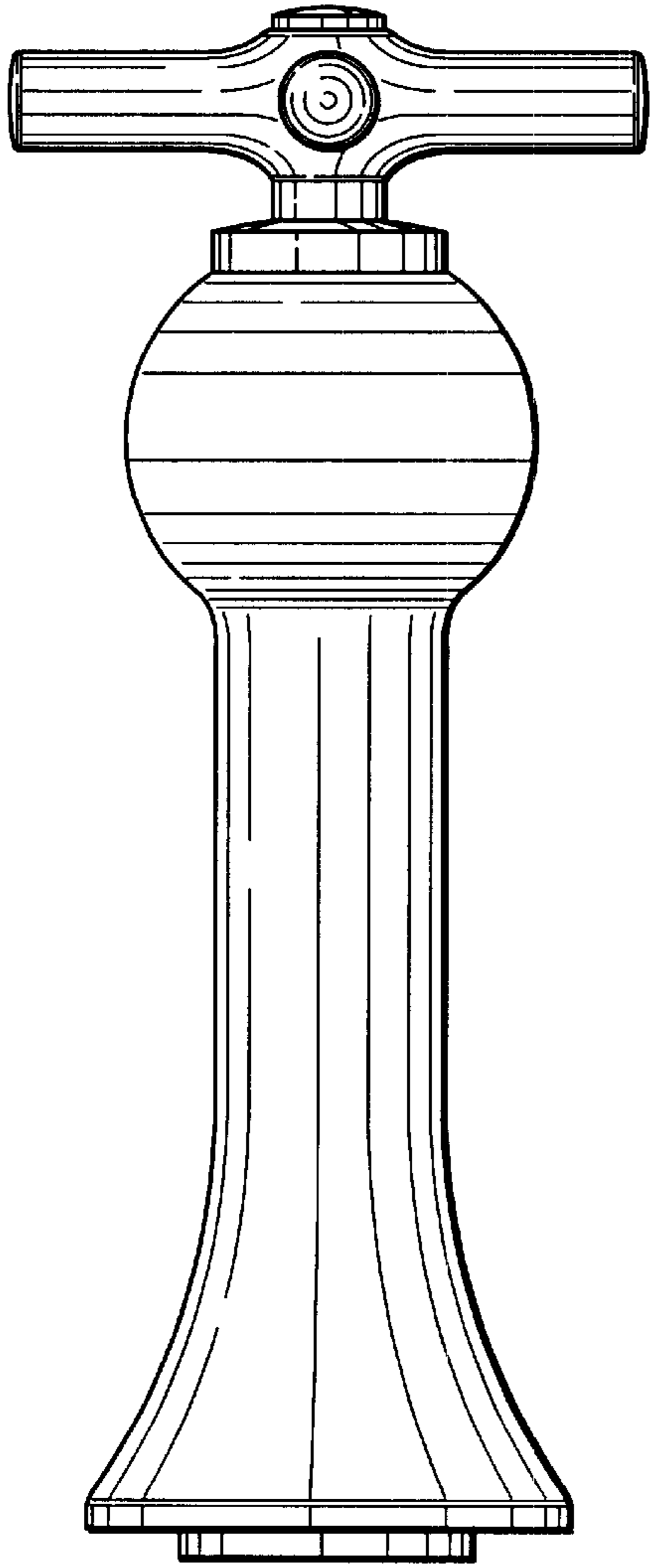


FIG. 5

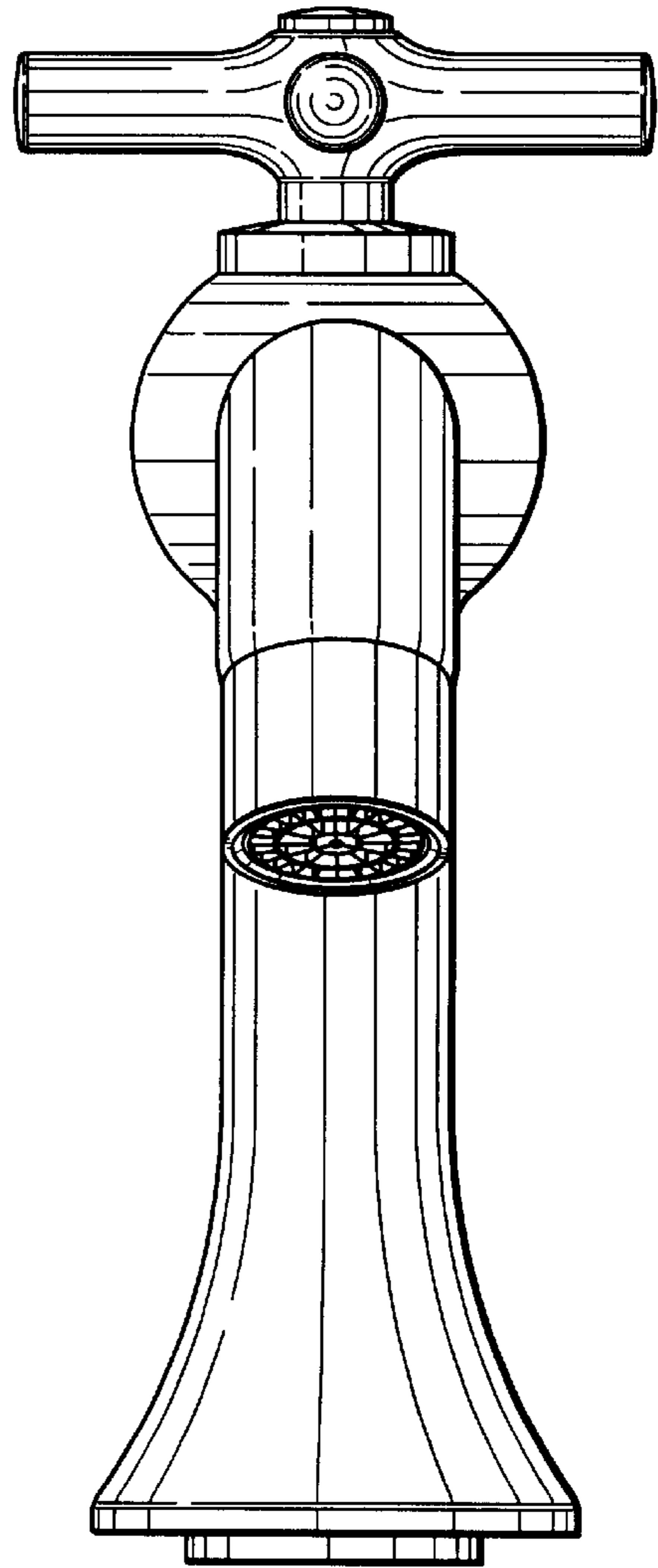


FIG. 6