



US00D464402S

(12) **United States Design Patent**
Saraya

(10) **Patent No.:** **US D464,402 S**

(45) **Date of Patent:** **** Oct. 15, 2002**

(54) **AUTOMATIC WATER FAUCET SYSTEM**

(75) **Inventor:** **Ichiro Saraya, Osaka (JP)**

(73) **Assignee:** **Saraya Co., Ltd., Osaka (JP)**

(**) **Term:** **14 Years**

(21) **Appl. No.:** **29/142,169**

(22) **Filed:** **May 18, 2001**

(30) **Foreign Application Priority Data**

Dec. 1, 2000 (JP) 2000-034347

(51) **LOC (7) Cl.** **23-01**

(52) **U.S. Cl.** **D23/238; D23/255**

(58) **Field of Search** **D23/238-257,**
D23/266; 4/675-678; 16/110 R-121; D8/300-308

(56) **References Cited**

U.S. PATENT DOCUMENTS

D31,599 S	*	10/1899	Hills	D23/238
D267,189 S	*	12/1982	Thompson	D23/255
D300,942 S	*	5/1989	Paul	D23/242
D318,906 S	*	8/1991	Spangler	D23/255
D419,643 S	*	1/2000	Gottwald et al.	D23/238

* cited by examiner

Primary Examiner—Louis S. Zarfes

Assistant Examiner—Gregory Andoll

(74) *Attorney, Agent, or Firm*—Reising, Ethington, Barnes, Kisselle, Learman & McCulloch, P.C.

(57) **CLAIM**

The ornamental design for an automatic water faucet system, as shown and described.

DESCRIPTION

FIG. 1 is a top plan view of an automatic water faucet system showing my new design;

FIG. 2 is a front view thereof;

FIG. 3 is a bottom view thereof;

FIG. 4 is a right side view thereof;

FIG. 5 is a rear view thereof;

FIG. 6 is a sectional view taken on the line 6—6 in FIG. 2, with internal configuration omitted;

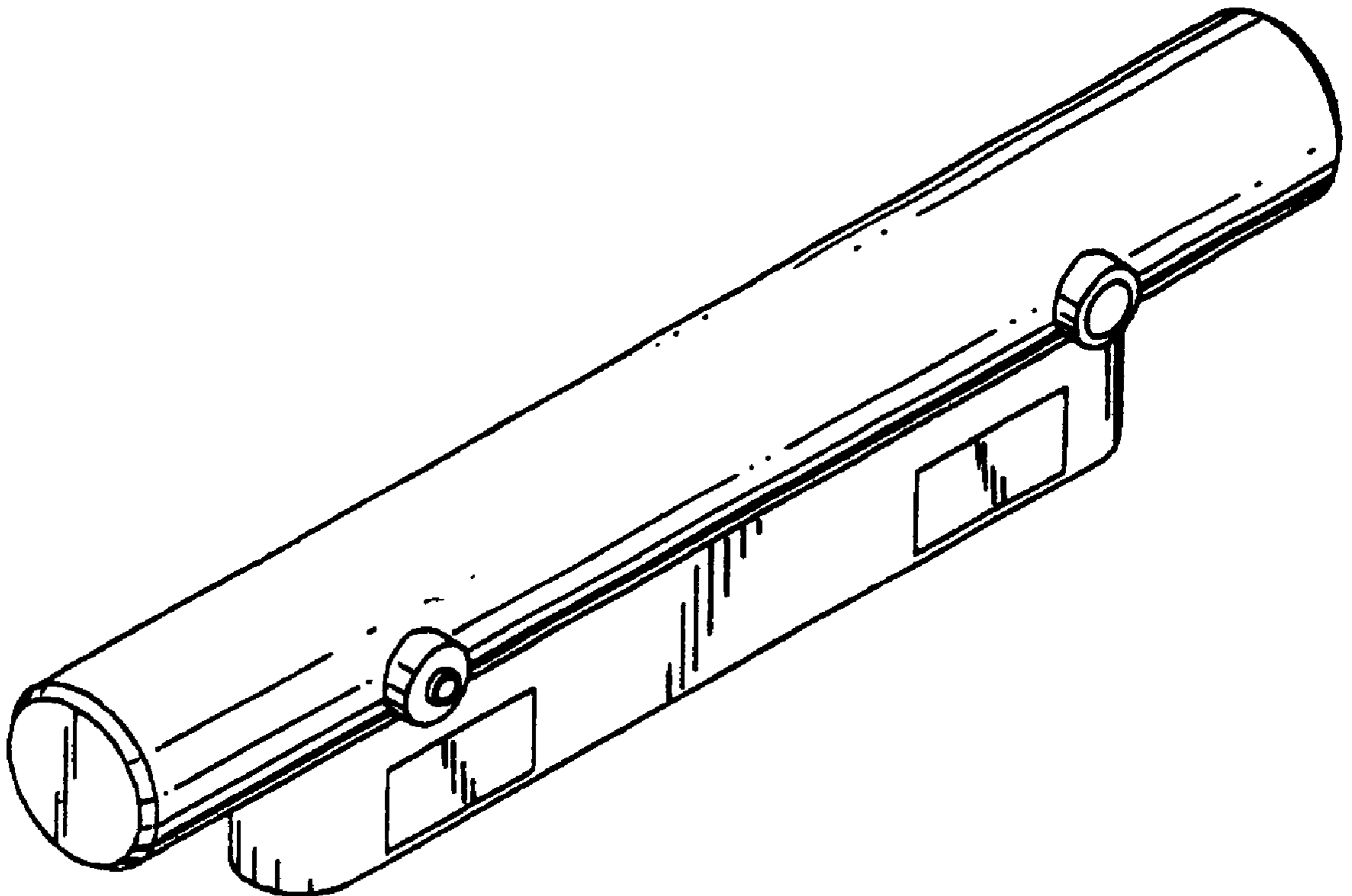
FIG. 7 is a sectional view taken on the line 7—7 in FIG. 2, with internal configuration omitted;

FIG. 8 is a perspective view thereof; and,

FIG. 9 is a perspective view thereof, shown mounted on a washstand.

The broken line showing of the washstand in FIG. 9 is for illustrative purposes only and forms no part of the claimed design.

1 Claim, 2 Drawing Sheets



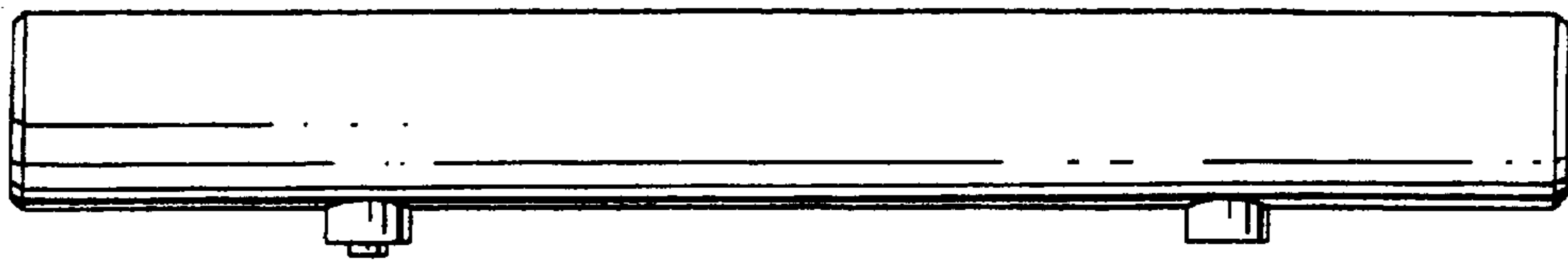


FIG. 1

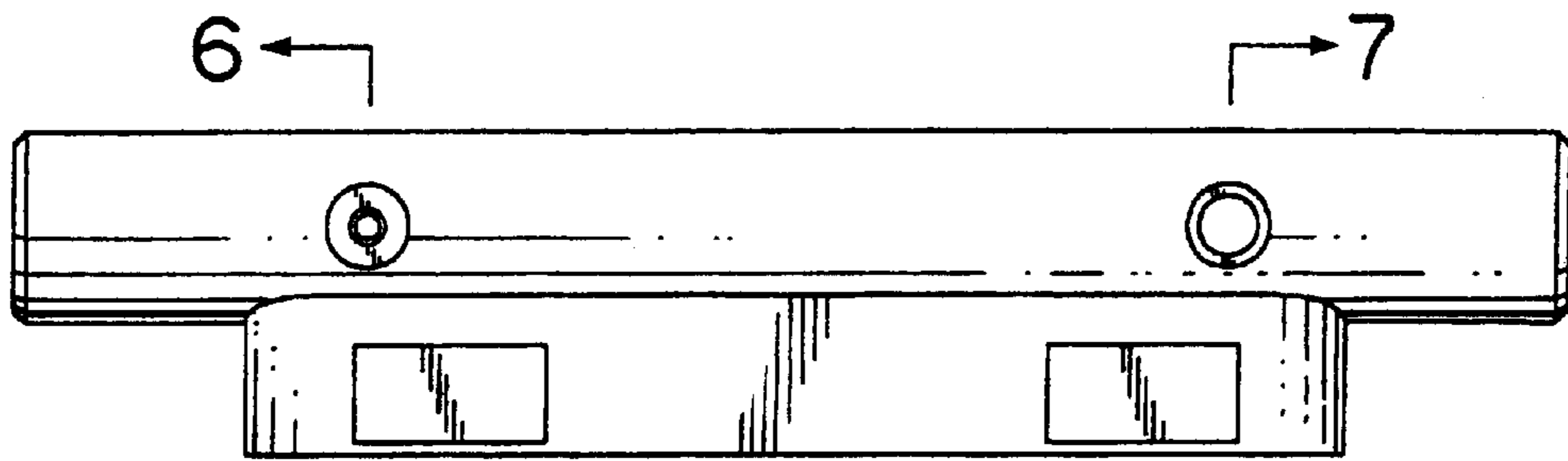


FIG. 2

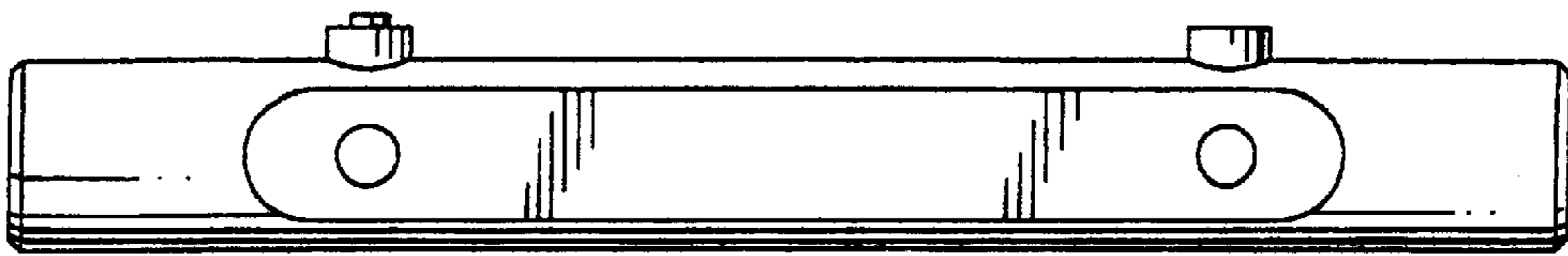


FIG. 3

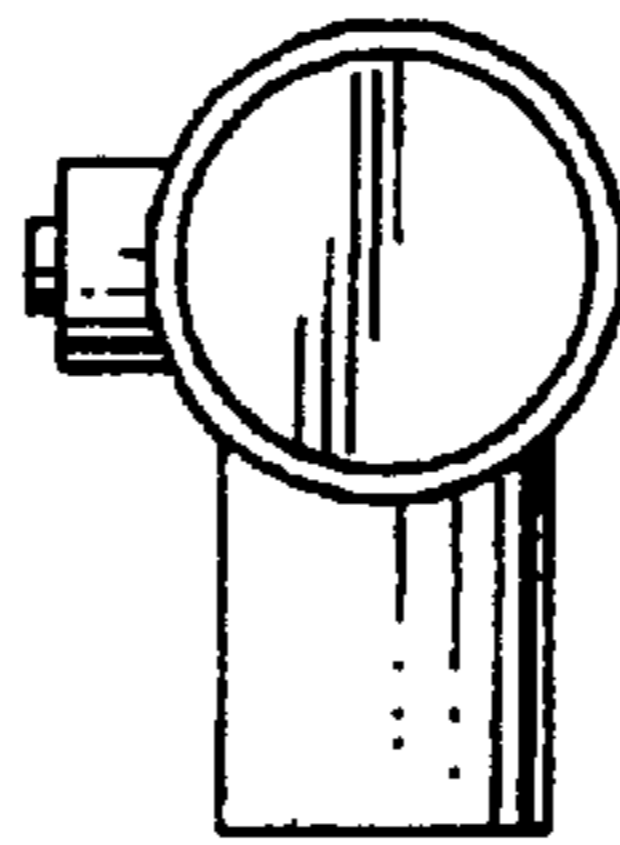


FIG. 4

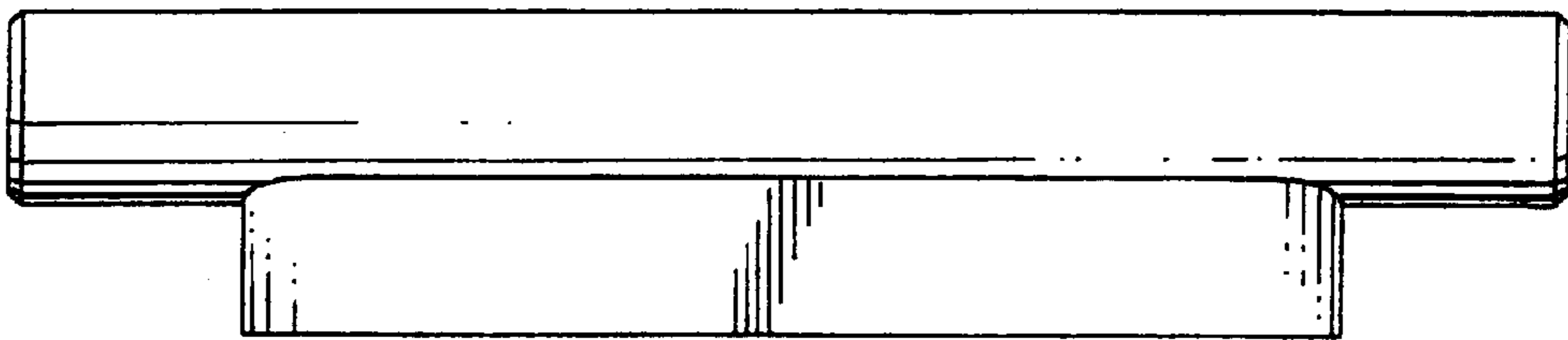


FIG. 5

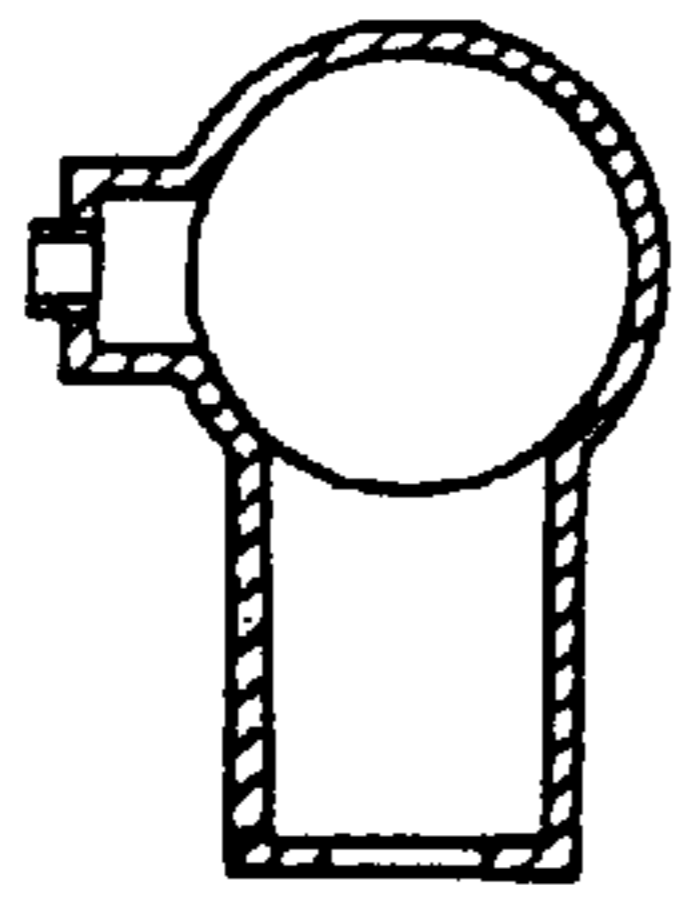


FIG. 6

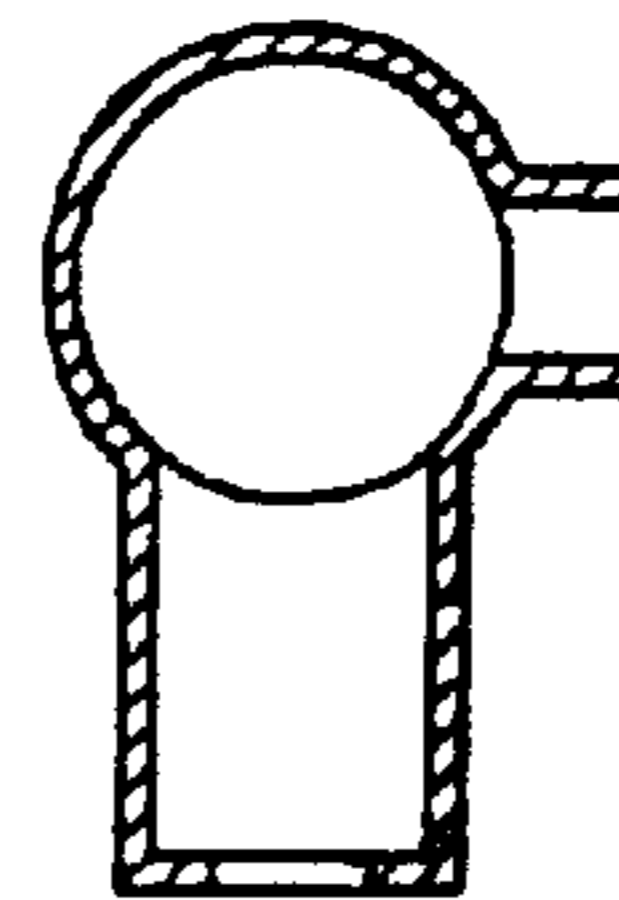


FIG. 7

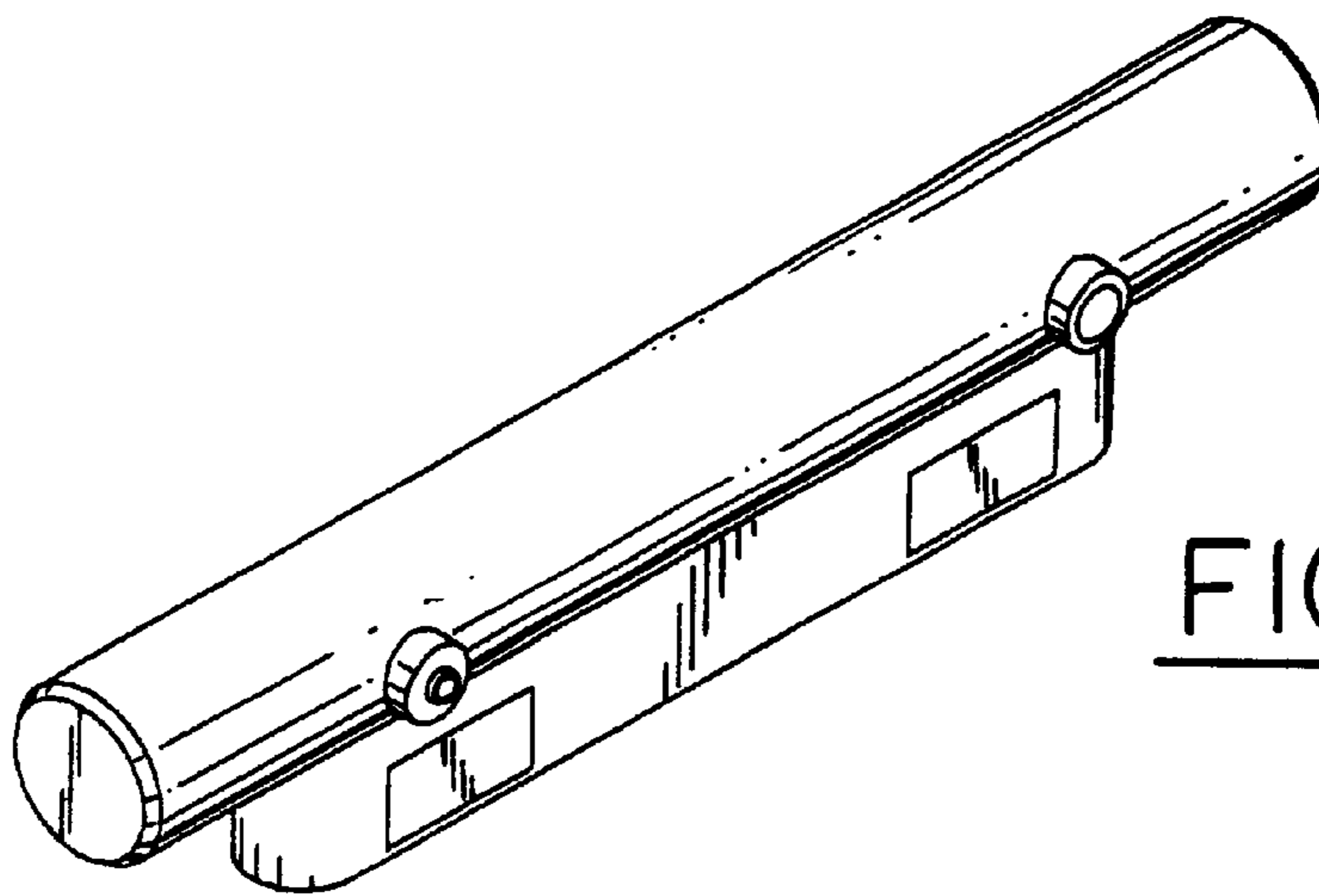


FIG. 8

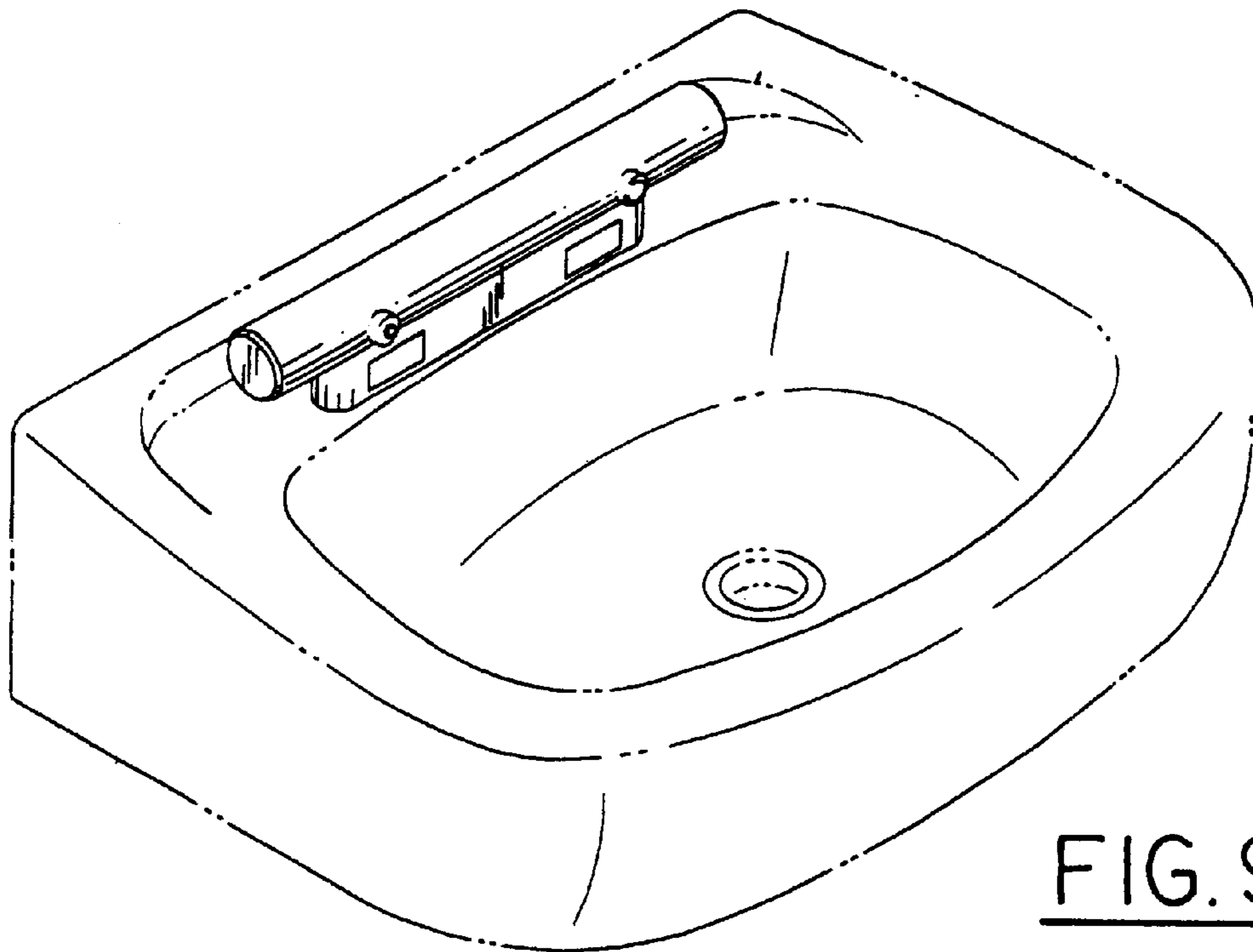


FIG. 9