



US00D464400S

(12) **United States Design Patent**  
**Spangler**

(10) **Patent No.:** **US D464,400 S**

(45) **Date of Patent:** **\*\* Oct. 15, 2002**

(54) **HORN FAUCET**

D445,882 S \* 7/2001 Spangler ..... D23/249

(75) Inventor: **Anthony Spangler**, Greensburg, IN (US)

\* cited by examiner

(73) Assignee: **Masco Corporation of Indiana**, Indianapolis, IN (US)

*Primary Examiner*—Louis S. Zarfus

*Assistant Examiner*—Gregory Andol

(\*\*) Term: **14 Years**

(74) *Attorney, Agent, or Firm*—Kwadjo Adusei-Poku; Lloyd D. Doigan

(21) Appl. No.: **29/140,921**

(57) **CLAIM**

(22) Filed: **Apr. 25, 2001**

The ornamental design for a horn faucet, as shown and described.

(51) **LOC (7) Cl.** ..... **23-01**

**DESCRIPTION**

(52) **U.S. Cl.** ..... **D23/238; D23/249; D23/255**

FIG. 1 is a left side elevational view of a horn faucet showing my new design;

(58) **Field of Search** ..... **D23/238-257;**

**4/675-678; 137/801**

FIG. 2 is a bottom plan view thereof;

FIG. 3 is a rear elevational view thereof;

FIG. 4 is a rear perspective view thereof;

FIG. 5 is a front perspective view thereof;

FIG. 6 is a front elevational view thereof;

FIG. 7 is a left perspective view thereof; and,

FIG. 8 is a top plan view thereof.

(56) **References Cited**

**U.S. PATENT DOCUMENTS**

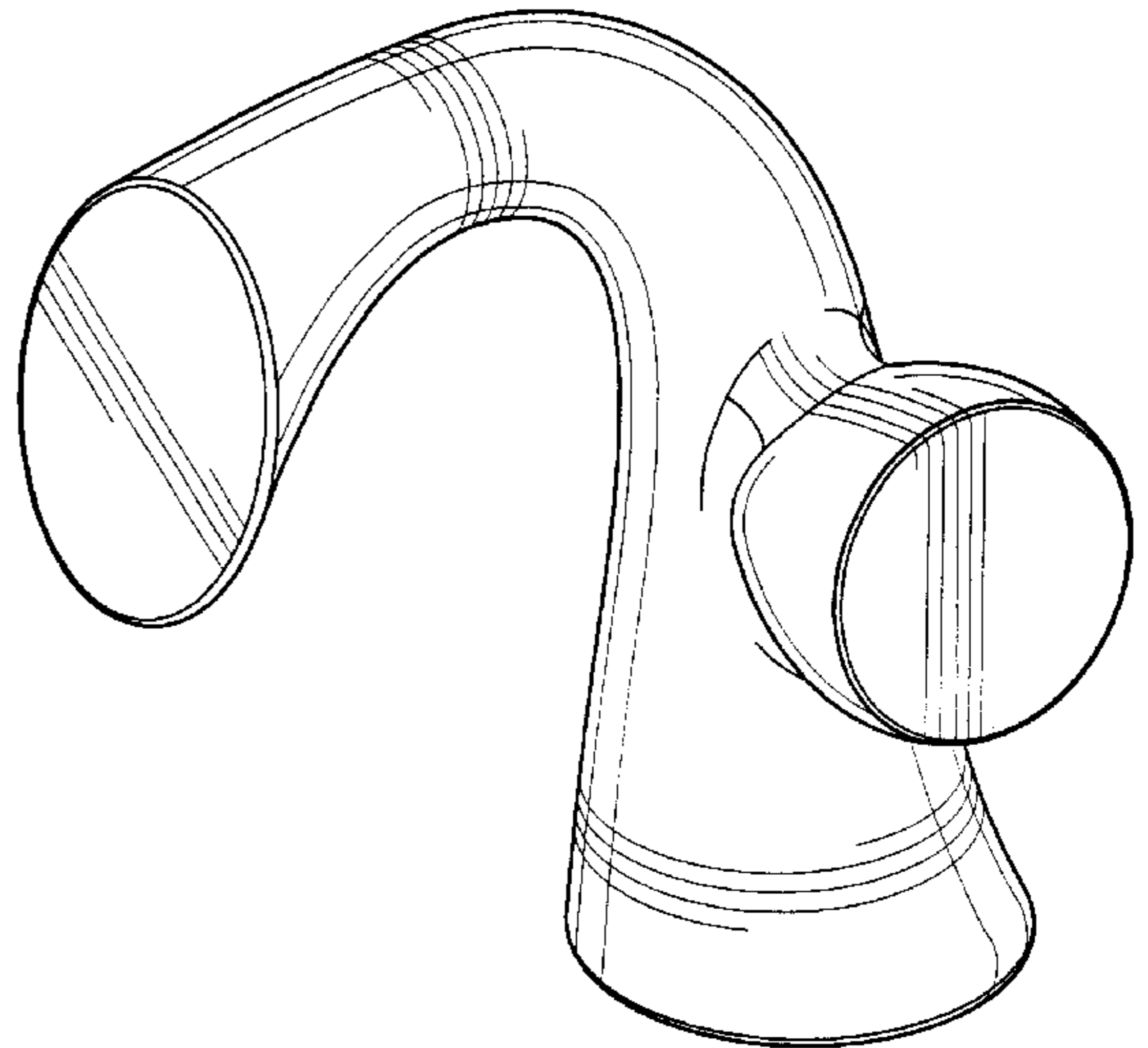
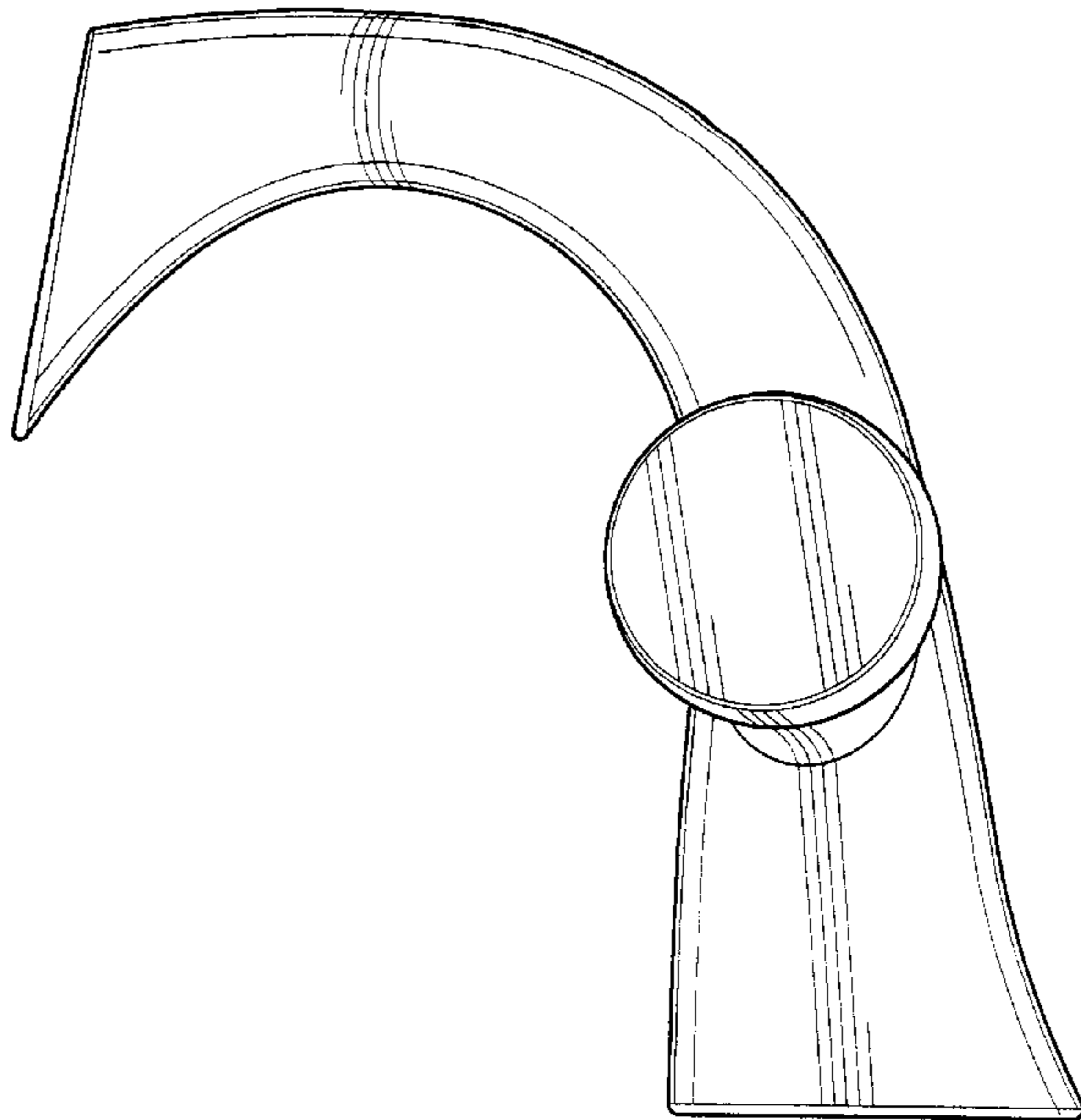
D432,214 S \* 10/2000 Spangler ..... D23/238

D432,215 S \* 10/2000 Spangler ..... D23/249

D432,632 S \* 10/2000 Spangler ..... D23/249

D445,881 S \* 7/2001 Spangler ..... D23/249

**1 Claim, 3 Drawing Sheets**



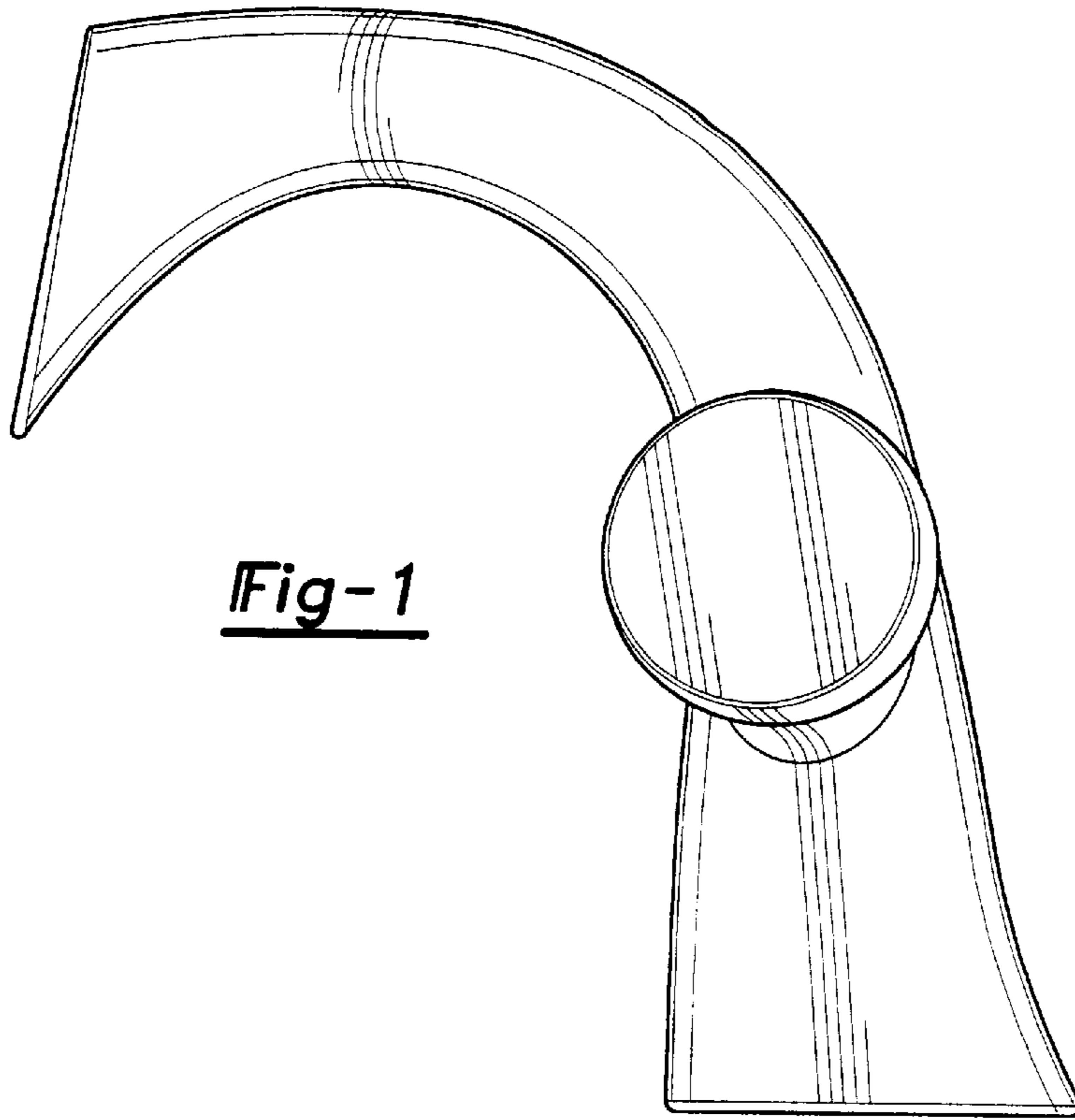


Fig-1

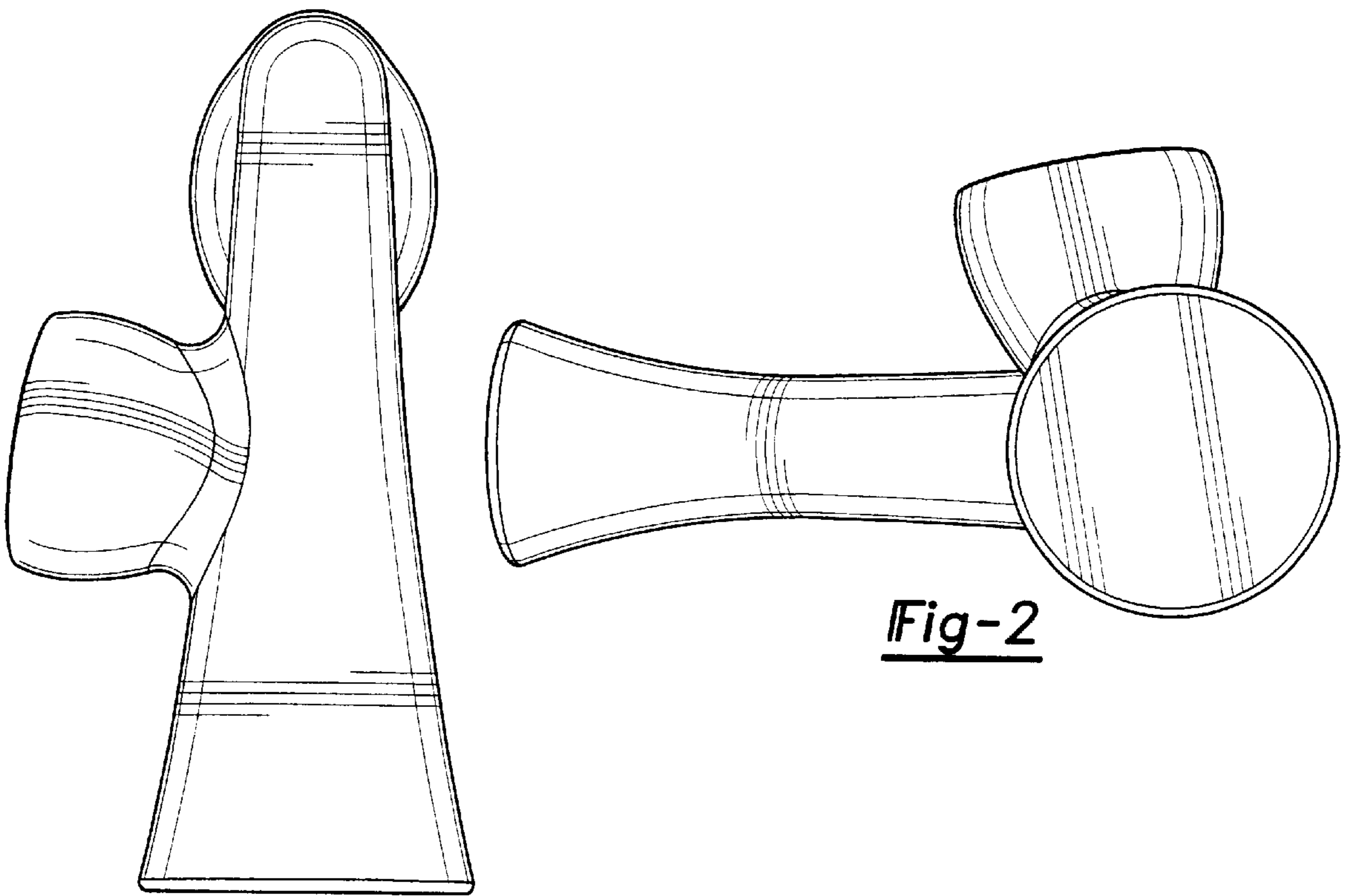


Fig-2

Fig-3

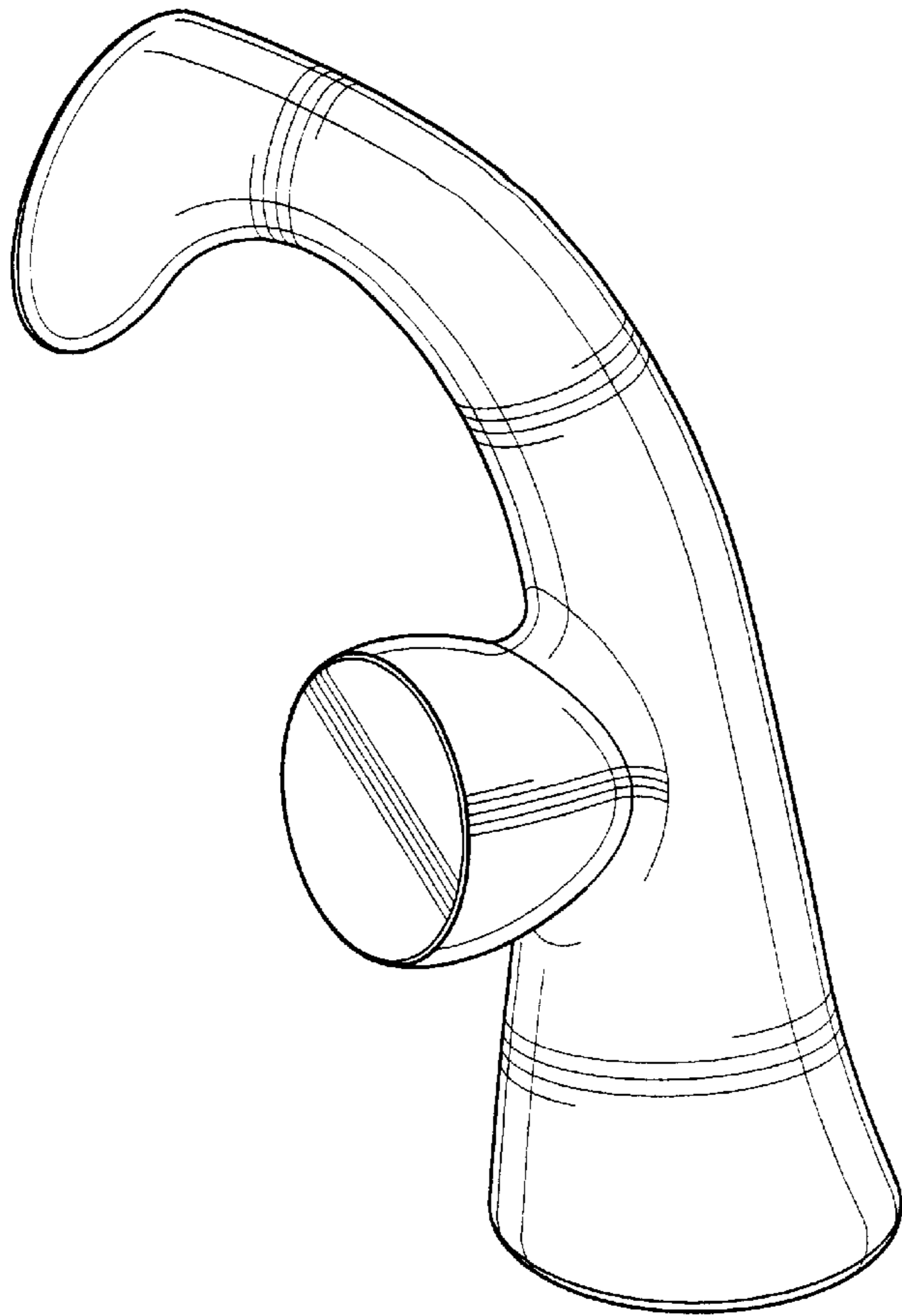


Fig-4

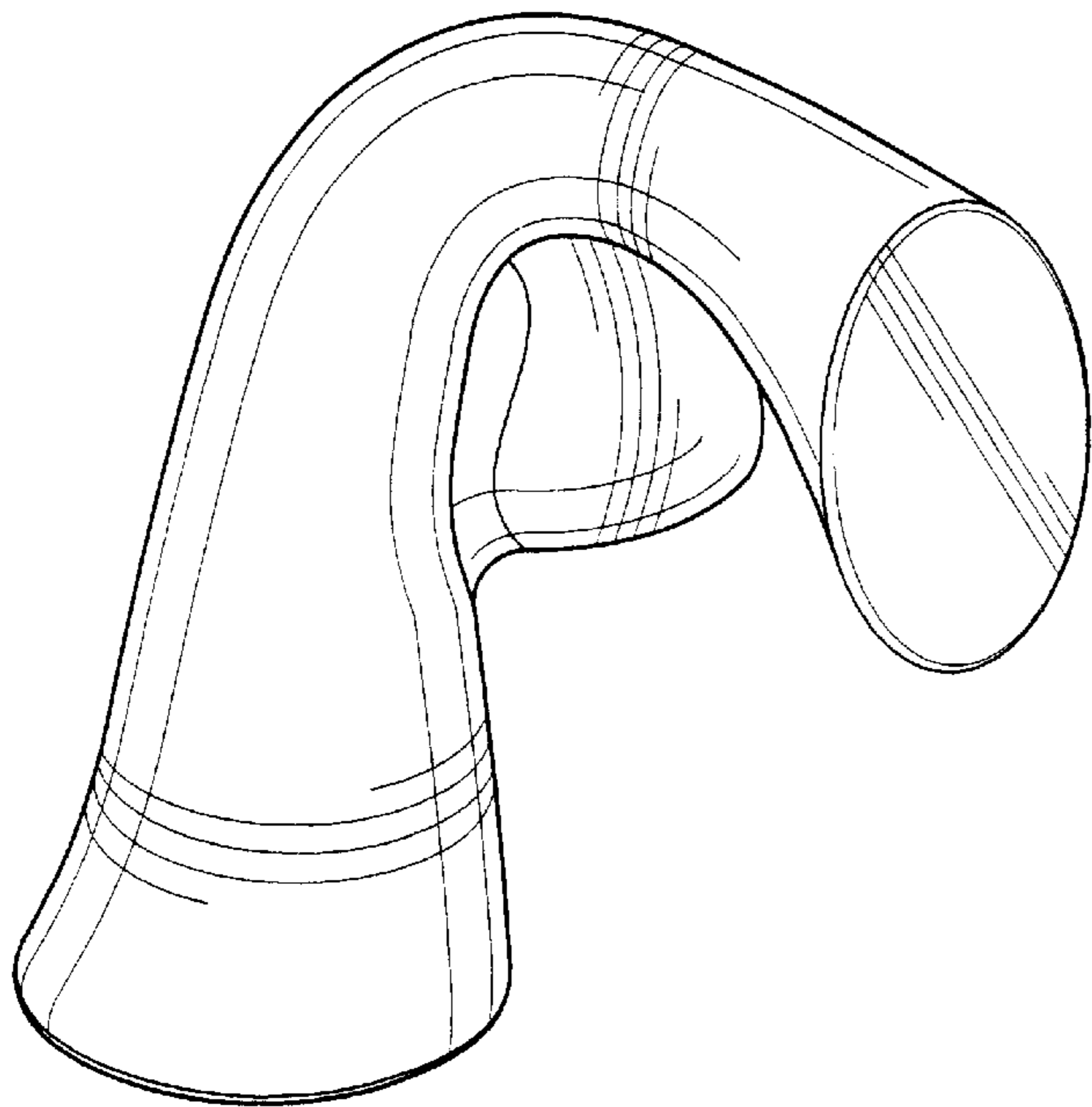


Fig-5

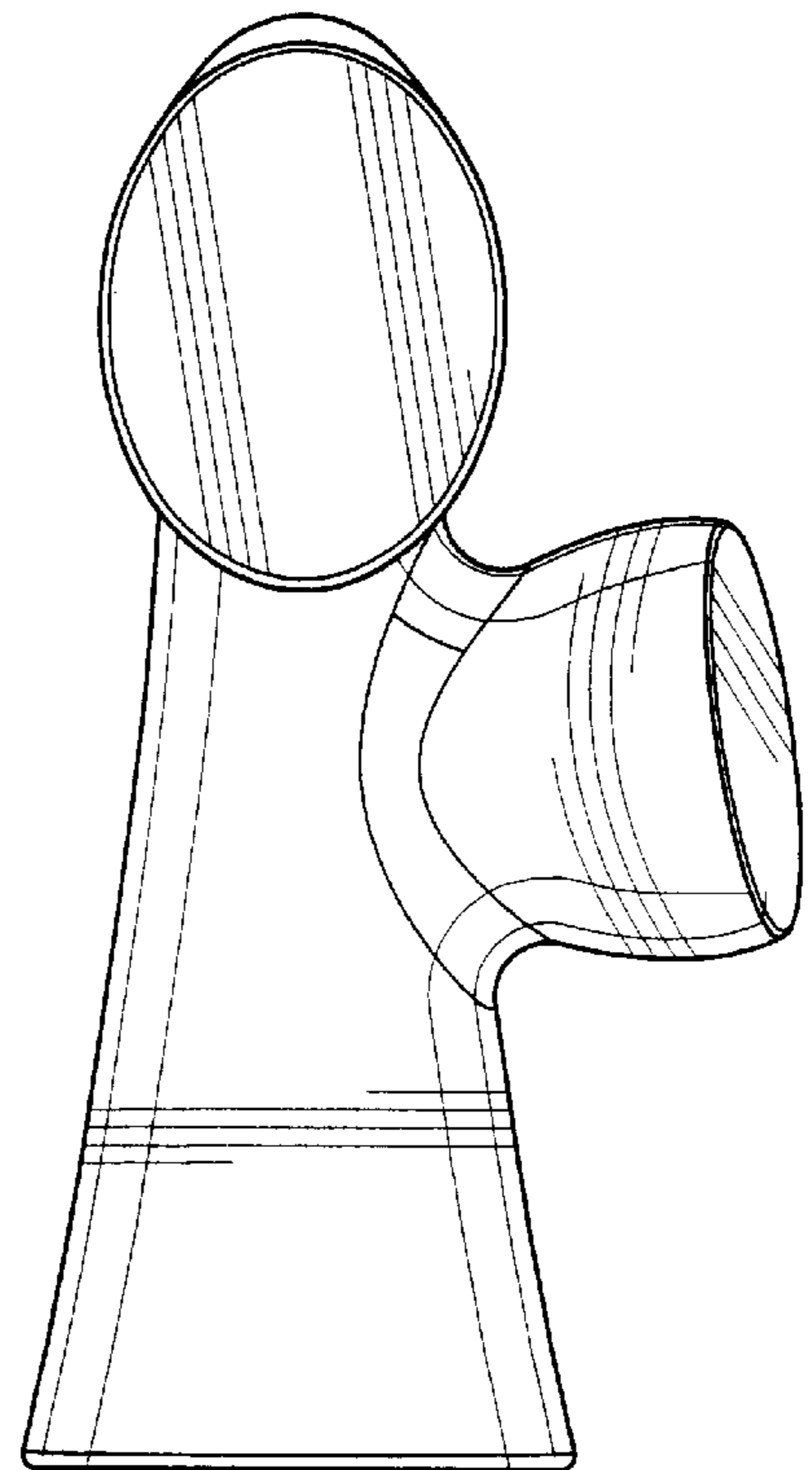


Fig-6

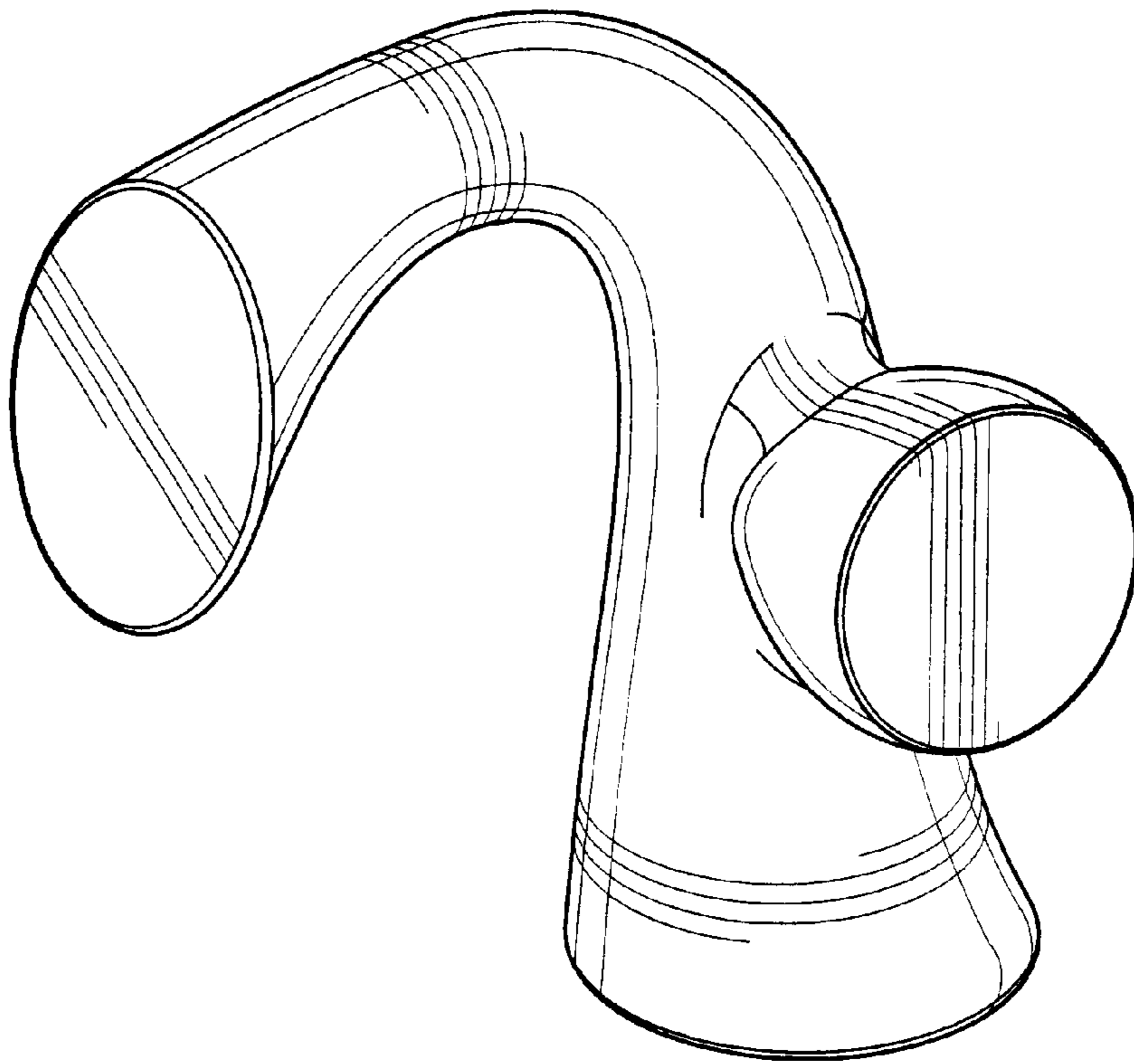


Fig-7

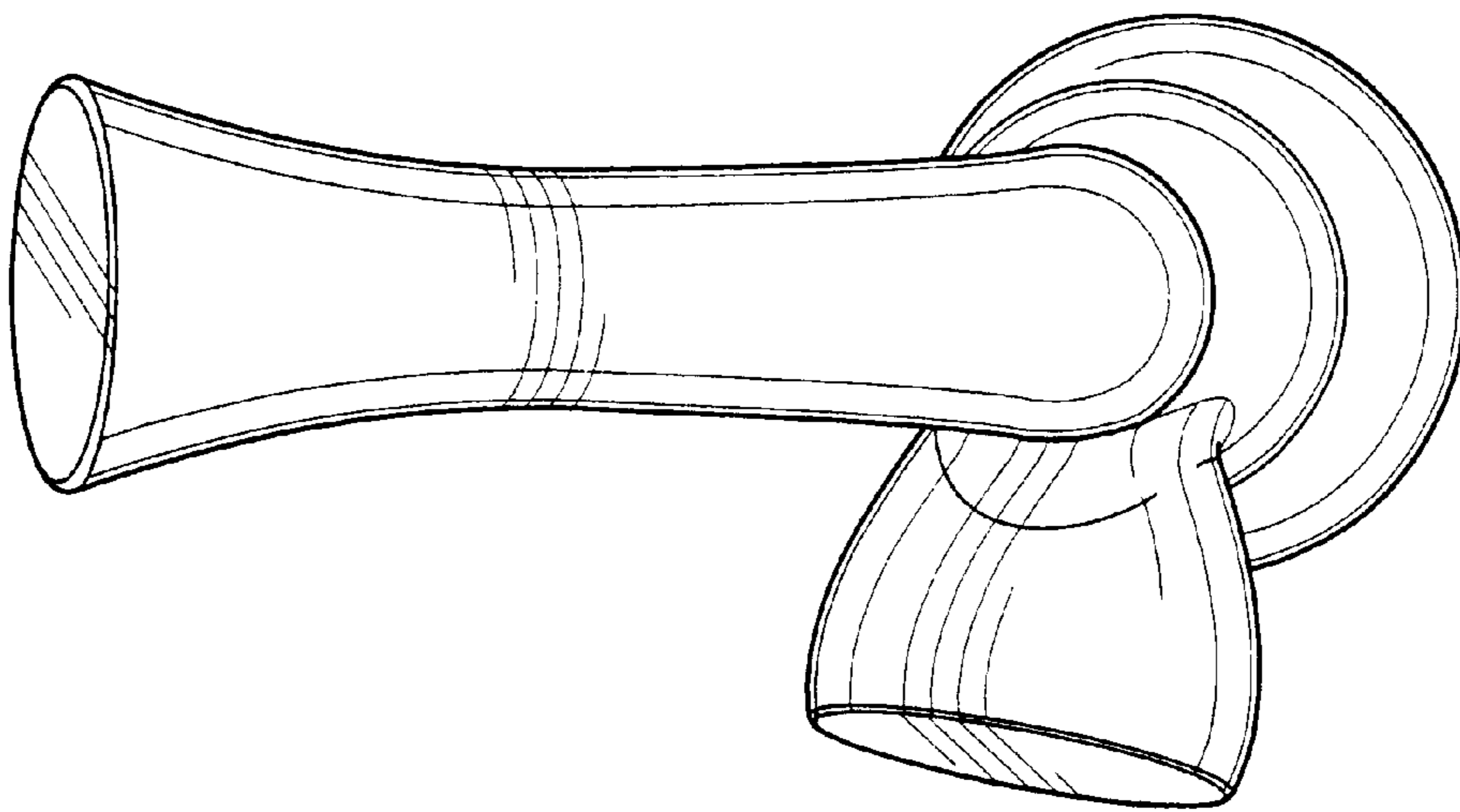


Fig-8