



US00D464398S

(12) **United States Design Patent** (10) **Patent No.:** **US D464,398 S**
Spangler et al. (45) **Date of Patent:** **** Oct. 15, 2002**

(54) **ELECTRONIC FAUCET**

(75) Inventors: **Anthony G. Spangler**, Greensburg, IN (US); **Jeffrey L. Moore**, Frankfort, IN (US)

(73) Assignee: **Masco Corporation of Indiana**, Indianapolis, IN (US)

(**) Term: **14 Years**

(21) Appl. No.: **29/140,793**

(22) Filed: **Apr. 24, 2001**

(51) **LOC (7) Cl.** **23-01**

(52) **U.S. Cl.** **D23/238**

(58) **Field of Search** D23/238-257;
4/675-678; 137/801

U.S. patent application Ser. No. 29/140,764 filed Apr. 24, 2001.

U.S. patent application Ser. No. 29/140,787 filed Apr. 24, 2001.

U.S. patent application Ser. No. 29/140,791 filed Apr. 24, 2001.

U.S. patent application Ser. No. 29/140,779 filed Apr. 24, 2001.

U.S. patent application Ser. No. 29/140,790 filed Apr. 24, 2001.

U.S. patent application Ser. No. 29/140,792 filed Apr. 24, 2001.

U.S. patent application Ser. No. 29/140,788 filed Apr. 24, 2001.

U.S. patent application Ser. No. 29/140,763 filed Apr. 24, 2001.

* cited by examiner

(56) **References Cited**

U.S. PATENT DOCUMENTS

| | | | | |
|------------|---|---------|--------------------|---------|
| D388,156 S | * | 12/1997 | Hill et al. | D23/238 |
| D388,862 S | * | 1/1998 | Hill et al. | D23/238 |
| D392,370 S | * | 3/1998 | Ko | D23/238 |
| D398,373 S | * | 9/1998 | Ou-Young | D23/238 |
| D400,646 S | | 11/1998 | Hill et al. | |
| D405,806 S | * | 2/1999 | Lord | D23/249 |
| D414,247 S | * | 9/1999 | Kolada et al. | D23/252 |
| D415,561 S | * | 10/1999 | Lindholm | D23/238 |
| D421,485 S | * | 3/2000 | Hseih | D23/238 |
| D428,967 S | * | 8/2000 | Spangler | D23/238 |
| D428,968 S | * | 8/2000 | Spangler | D23/238 |
| D430,923 S | * | 9/2000 | Fleischmann | D23/250 |
| D432,215 S | | 10/2000 | Spangler | |
| D432,217 S | | 10/2000 | Spangler | |
| D432,635 S | | 10/2000 | Spangler | |
| D434,114 S | * | 11/2000 | Green et al. | D23/252 |

OTHER PUBLICATIONS

U.S. patent application Ser. No. 29/140,749 filed Apr. 24, 2001.

U.S. patent application Ser. No. 29/140,789 filed Apr. 24, 2001.

Primary Examiner—Louis S. Zarfes

Assistant Examiner—Gregory Andoll

(74) *Attorney, Agent, or Firm*—Myron B. Kapustij; Lloyd D. Doigan

(57) **CLAIM**

The ornamental design for an electronic faucet, as shown and described.

DESCRIPTION

FIG. 1 is a front perspective view of the electronic faucet showing our new design;

FIG. 2 is a left side elevational view thereof;

FIG. 3 is a rear perspective view thereof;

FIG. 4 is a front elevational view thereof;

FIG. 5 is a top plan view thereof;

FIG. 6 is a rear elevational view thereof;

FIG. 7 is a right side elevational view thereof; and,

FIG. 8 is a bottom plan view thereof.

1 Claim, 4 Drawing Sheets

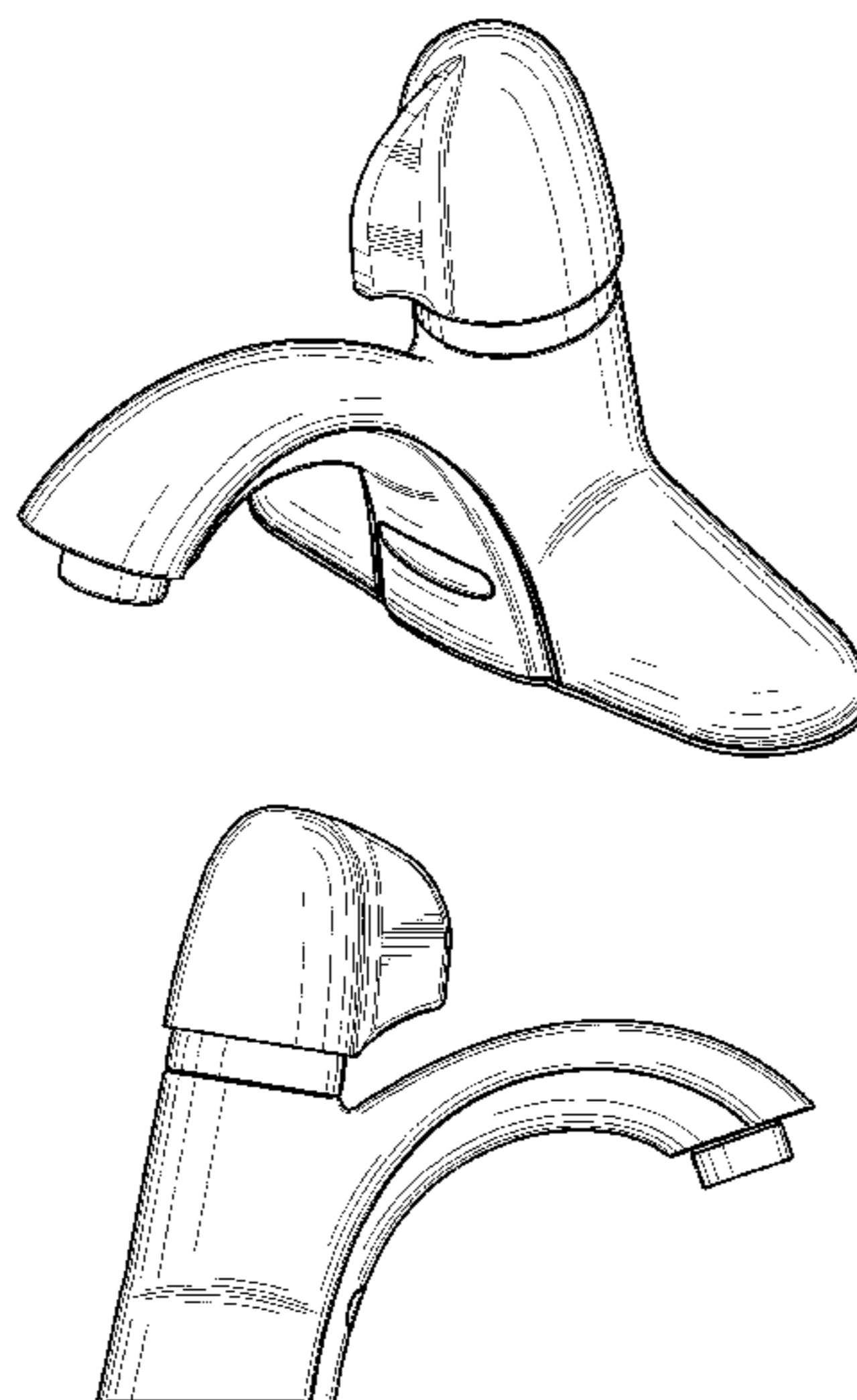


Figure - 1

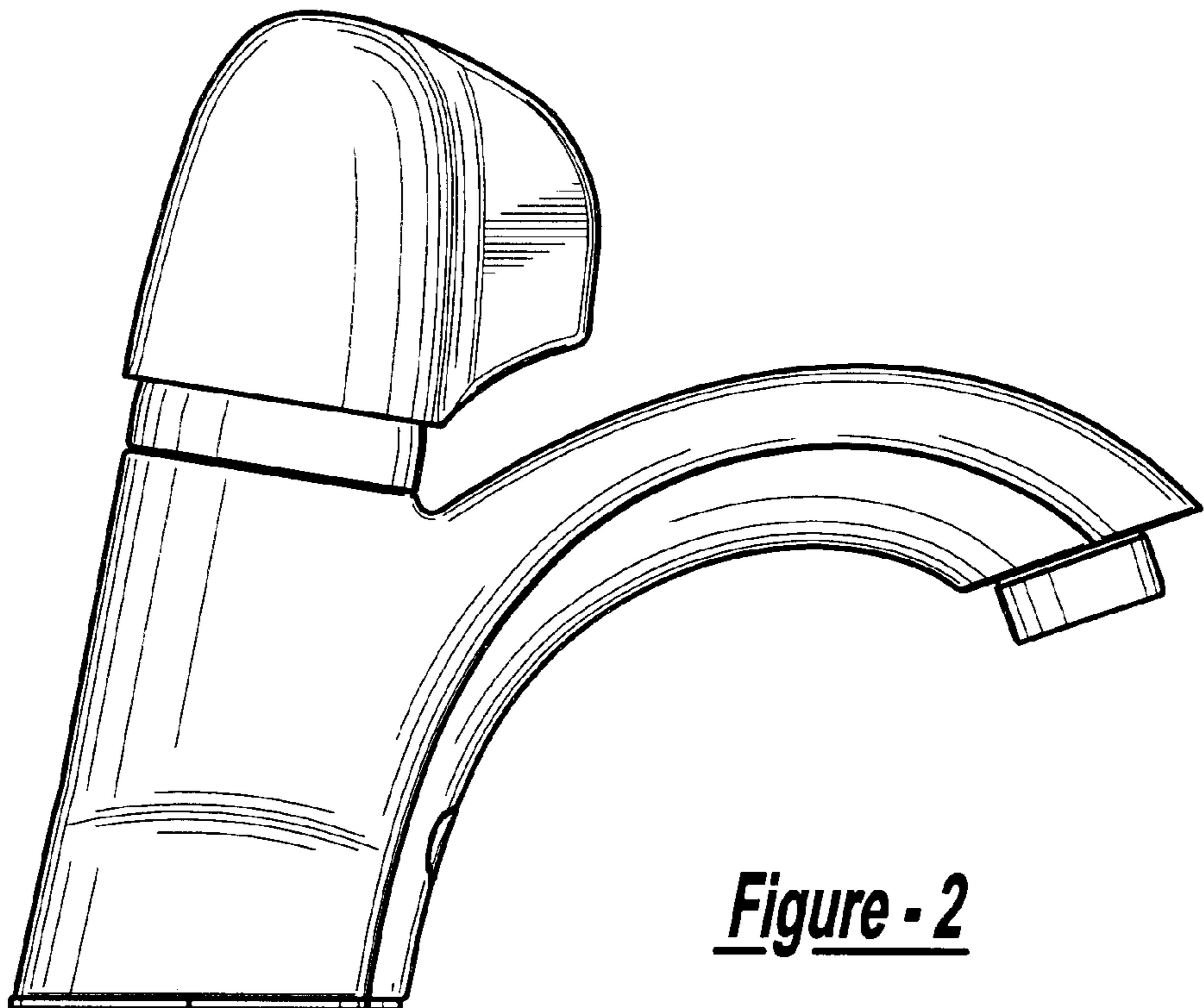
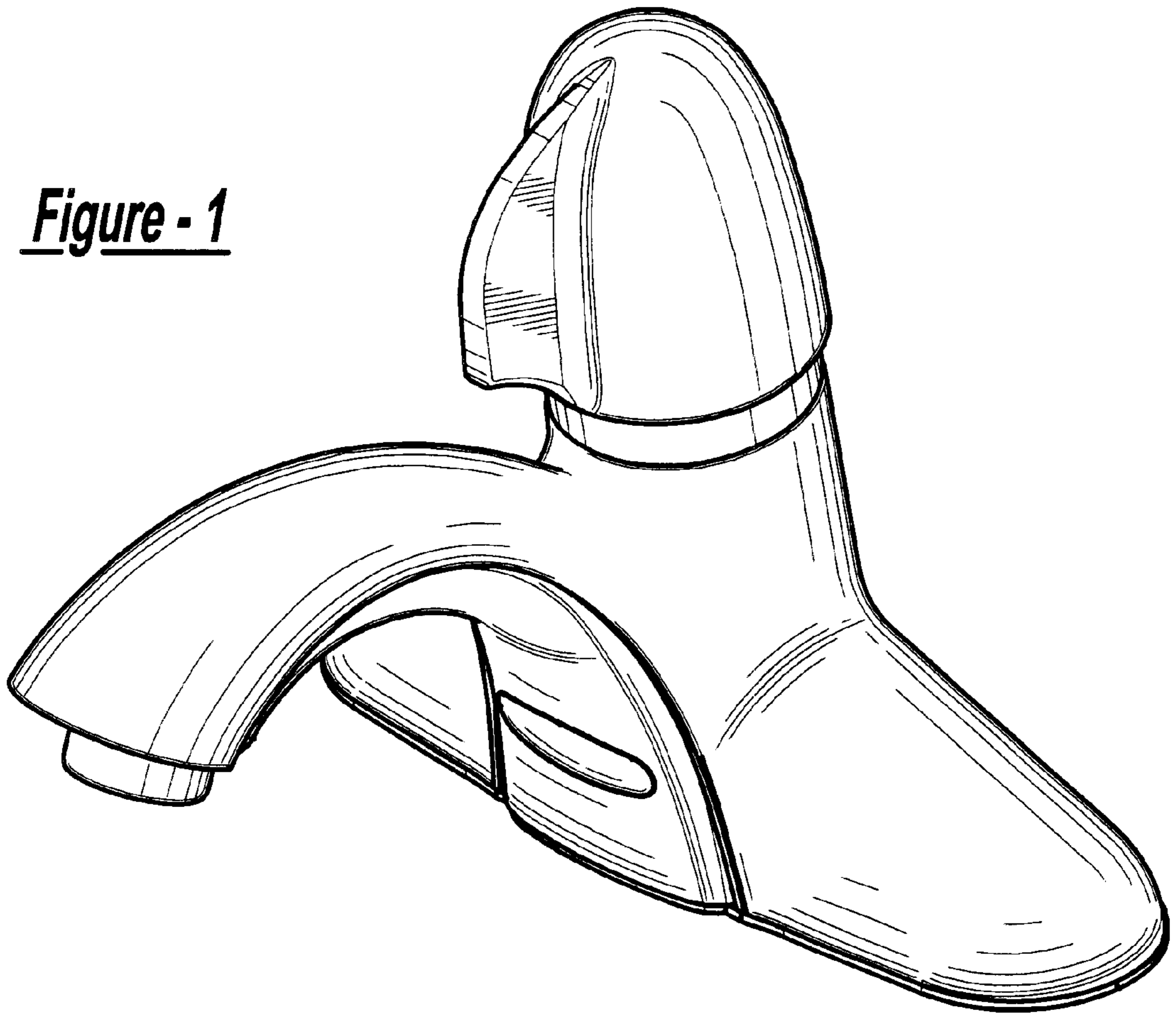


Figure - 2

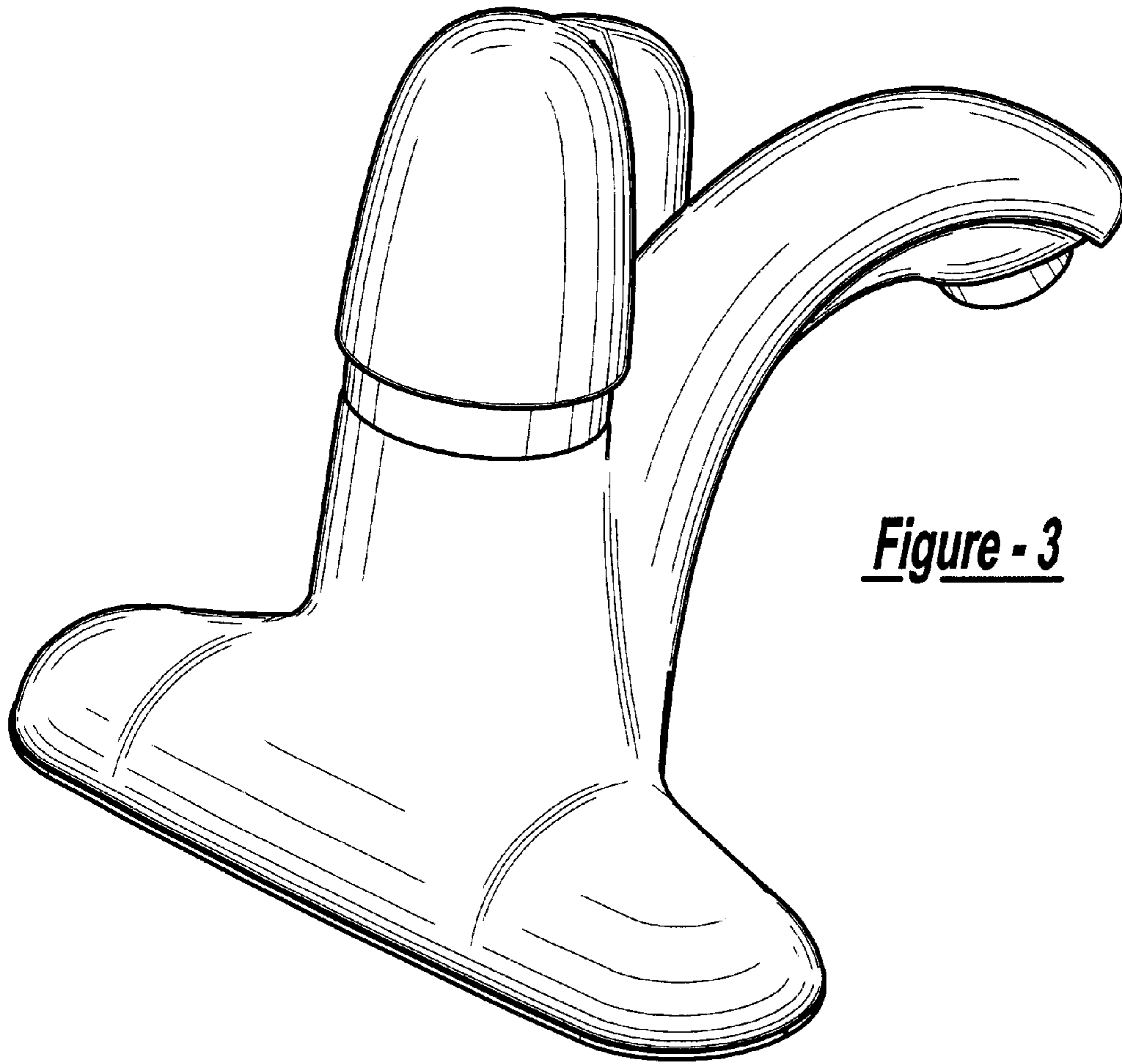


Figure - 3

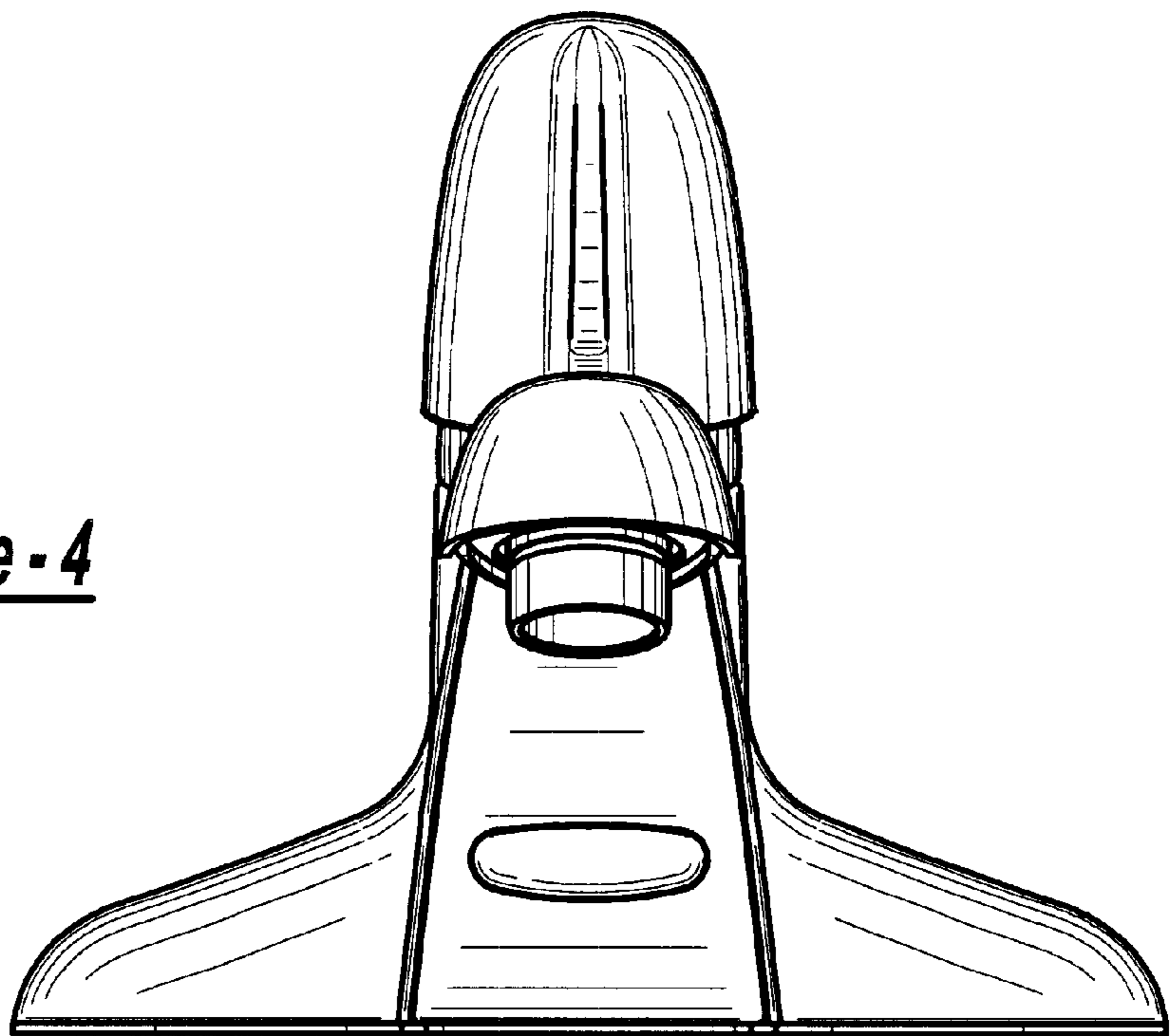


Figure - 4

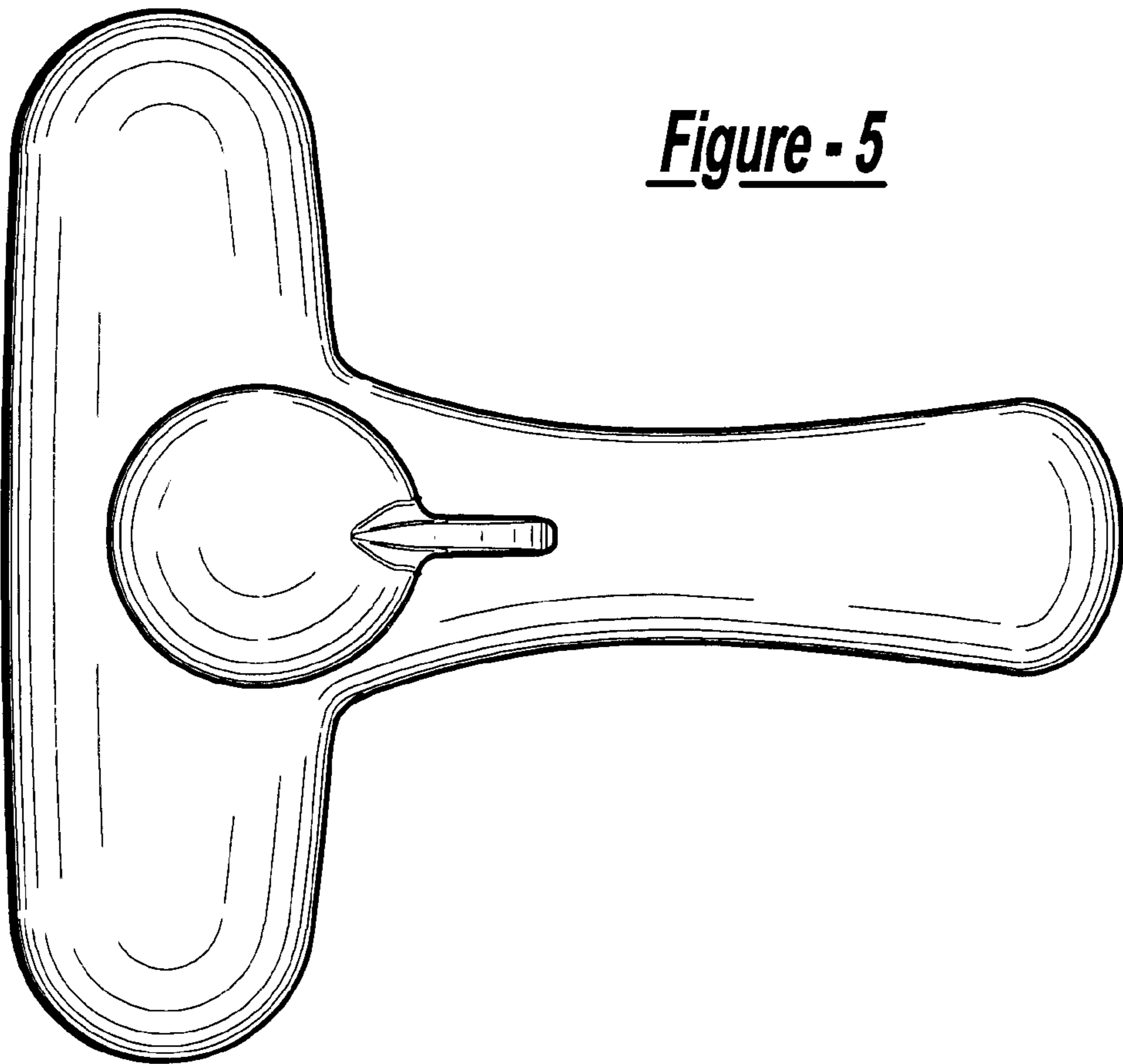


Figure - 5

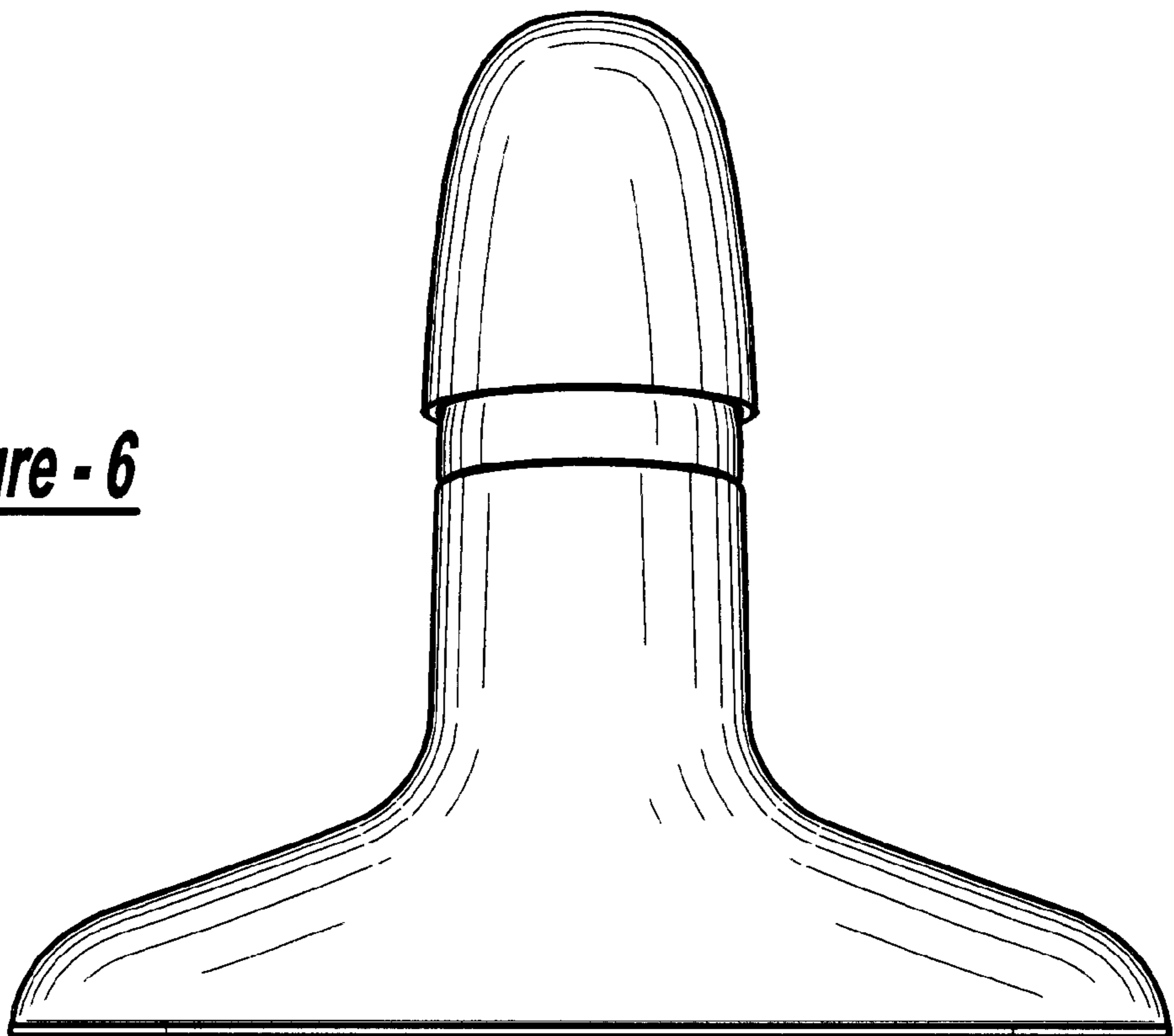


Figure - 6

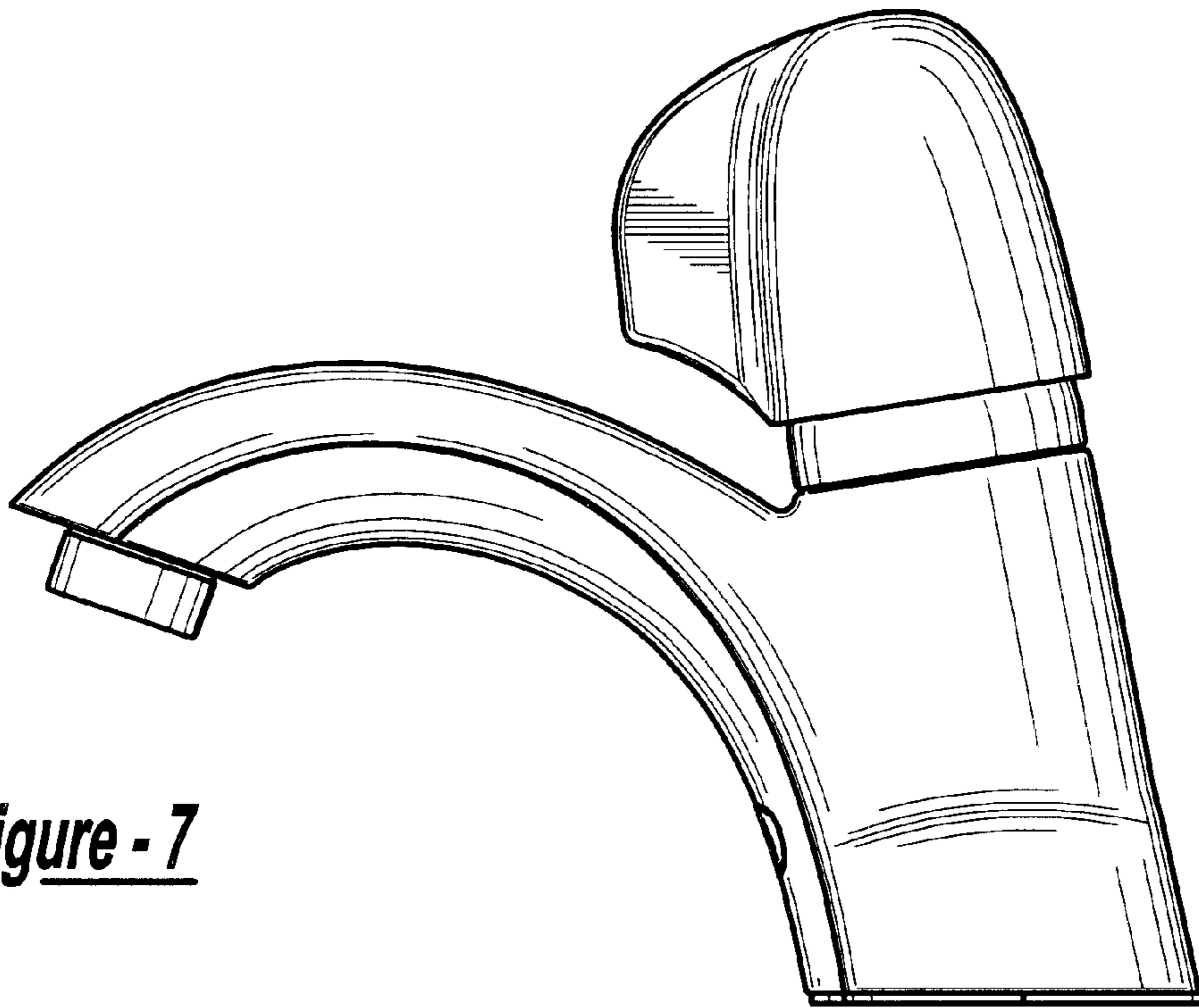


Figure - 7

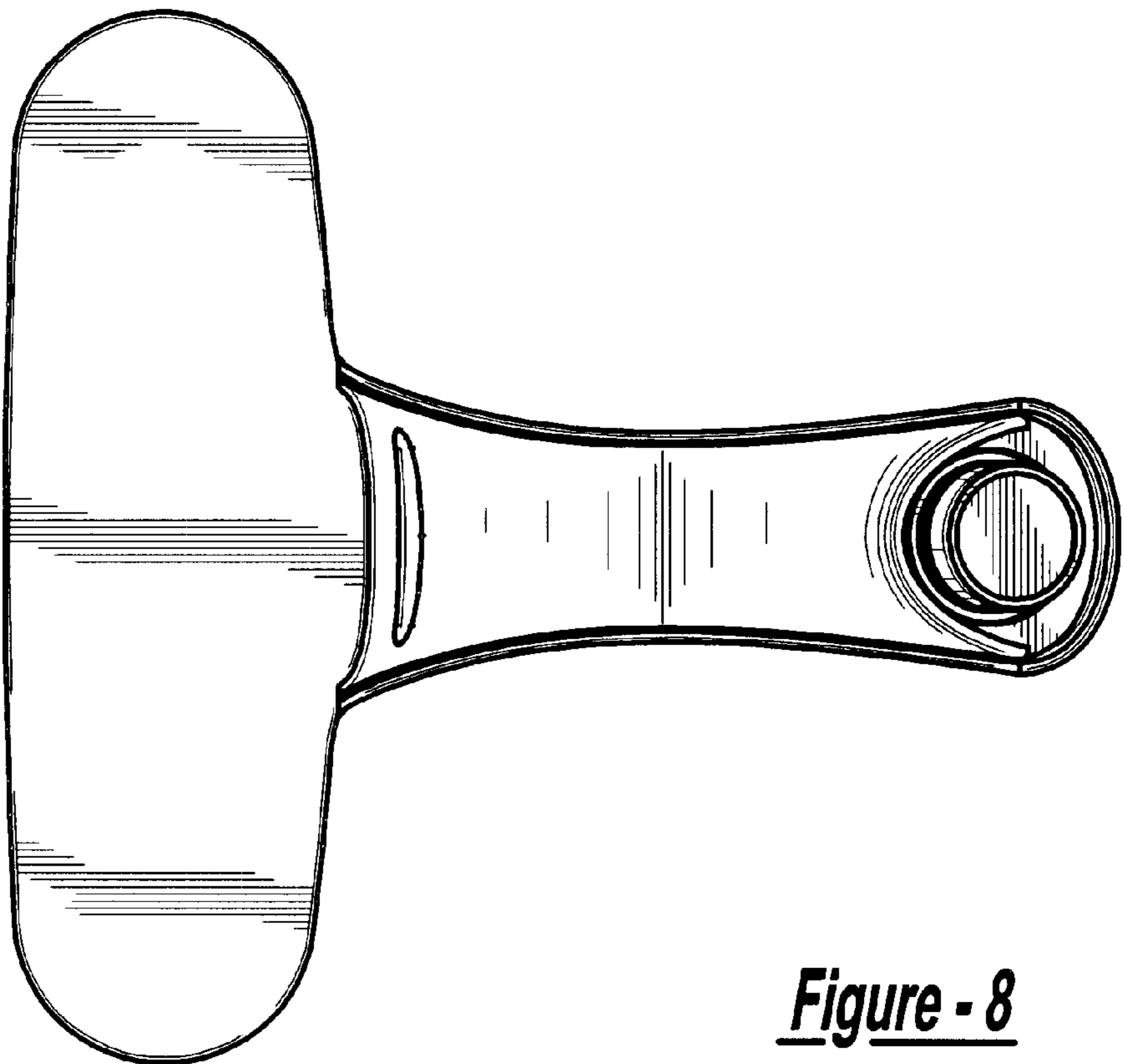


Figure - 8