



US00D464393S

(12) **United States Design Patent**
Jordan

(10) **Patent No.:** **US D464,393 S**

(45) **Date of Patent:** **** Oct. 15, 2002**

(54) **PORTABLE ELECTRICAL MOUSETRAP**

D423,631 S * 4/2000 Shultz D22/119
D441,828 S * 5/2001 Leyerle et al. D22/119

(76) Inventor: **Charles Jordan**, 1171 E. 38th St.,
Brooklyn, NY (US) 11210

* cited by examiner

(**) Term: **14 Years**

Primary Examiner—Catherine R. Oliver
(74) *Attorney, Agent, or Firm*—Goldstein Law Offices, P.C.

(21) Appl. No.: **29/143,977**

(57) **CLAIM**

(22) Filed: **Jun. 25, 2001**

The ornamental design for a portable electrical mousetrap,
as shown and described.

(51) **LOC (7) Cl.** **22-06**

(52) **U.S. Cl.** **D22/119**

(58) **Field of Search** D22/119-125;
43/61, 69, 71, 72, 74, 64, 65, 66, 60, 121,
131, 58; D30/108, 109

DESCRIPTION

FIG. 1 is a front elevational view of a portable electrical
mousetrap.

FIG. 2 is a rear elevational view thereof.

FIG. 3 is a right side elevational view thereof.

FIG. 4 is a left side elevational view thereof.

FIG. 5 is a top plan view thereof; and,

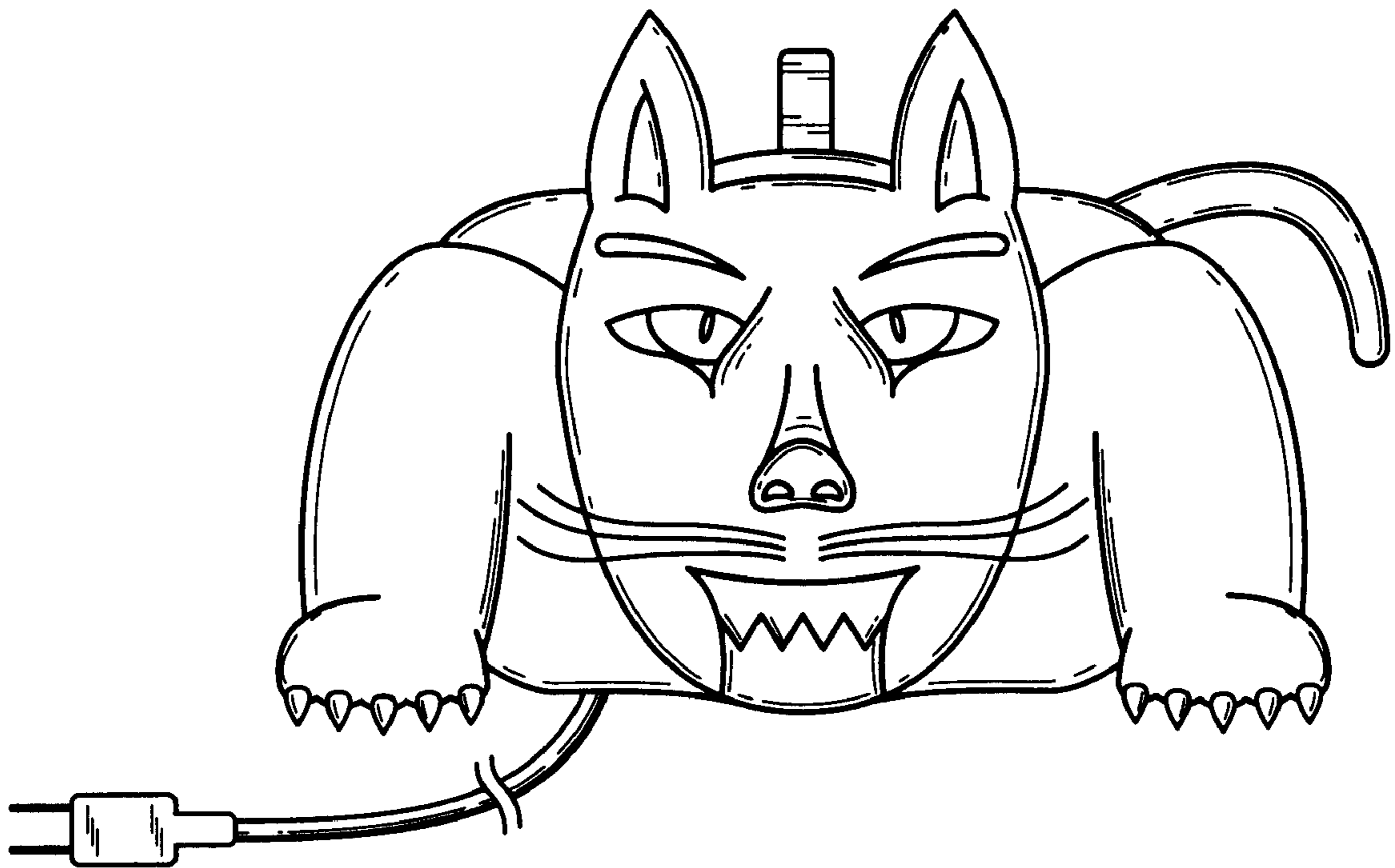
FIG. 6 is a bottom plan view thereof.

(56) **References Cited**

U.S. PATENT DOCUMENTS

D288,735 S * 3/1987 Jones et al. D30/109
D382,039 S * 8/1997 Zyra D22/119
D386,554 S * 11/1997 Brewer D22/119

1 Claim, 3 Drawing Sheets



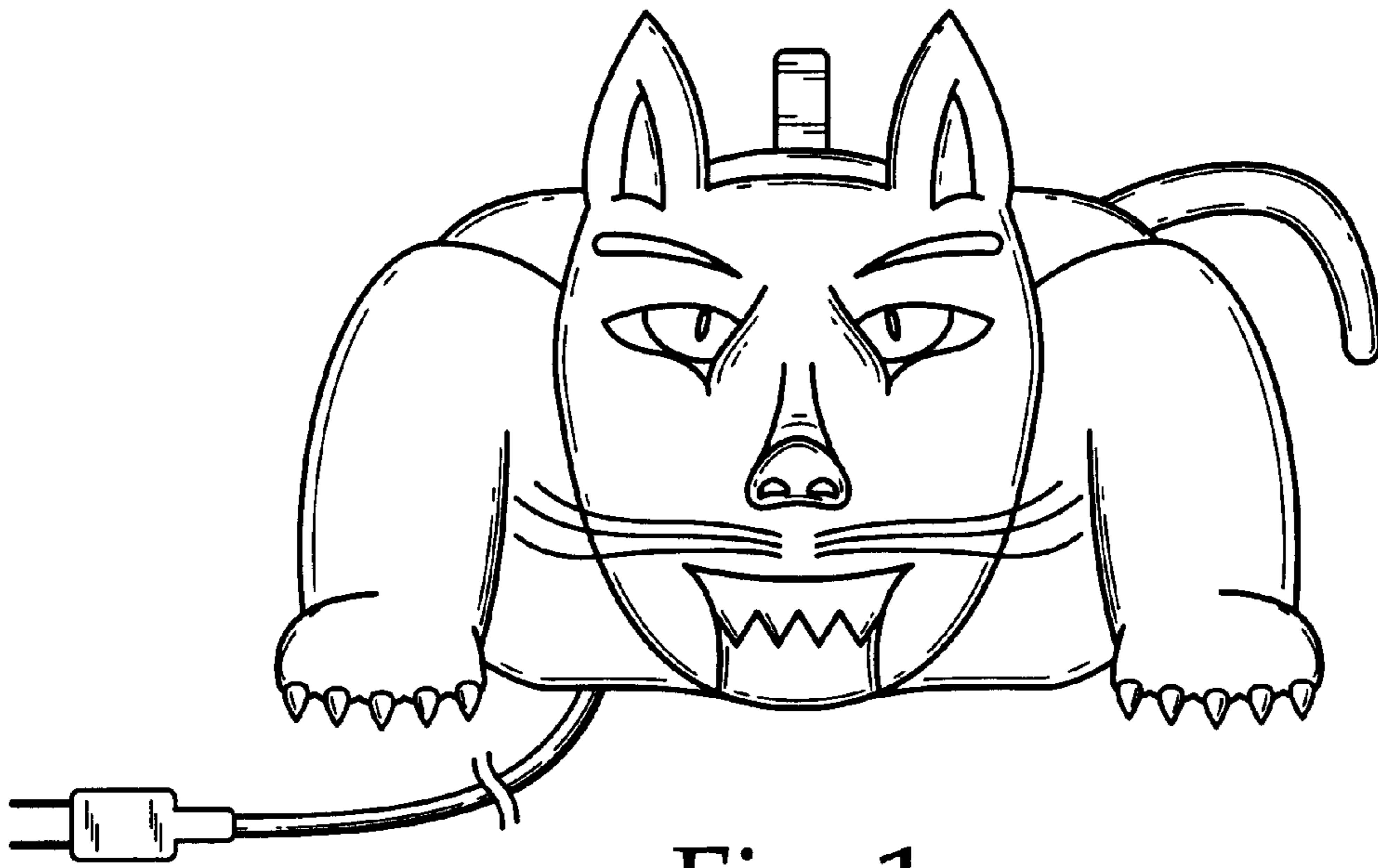


Fig. 1

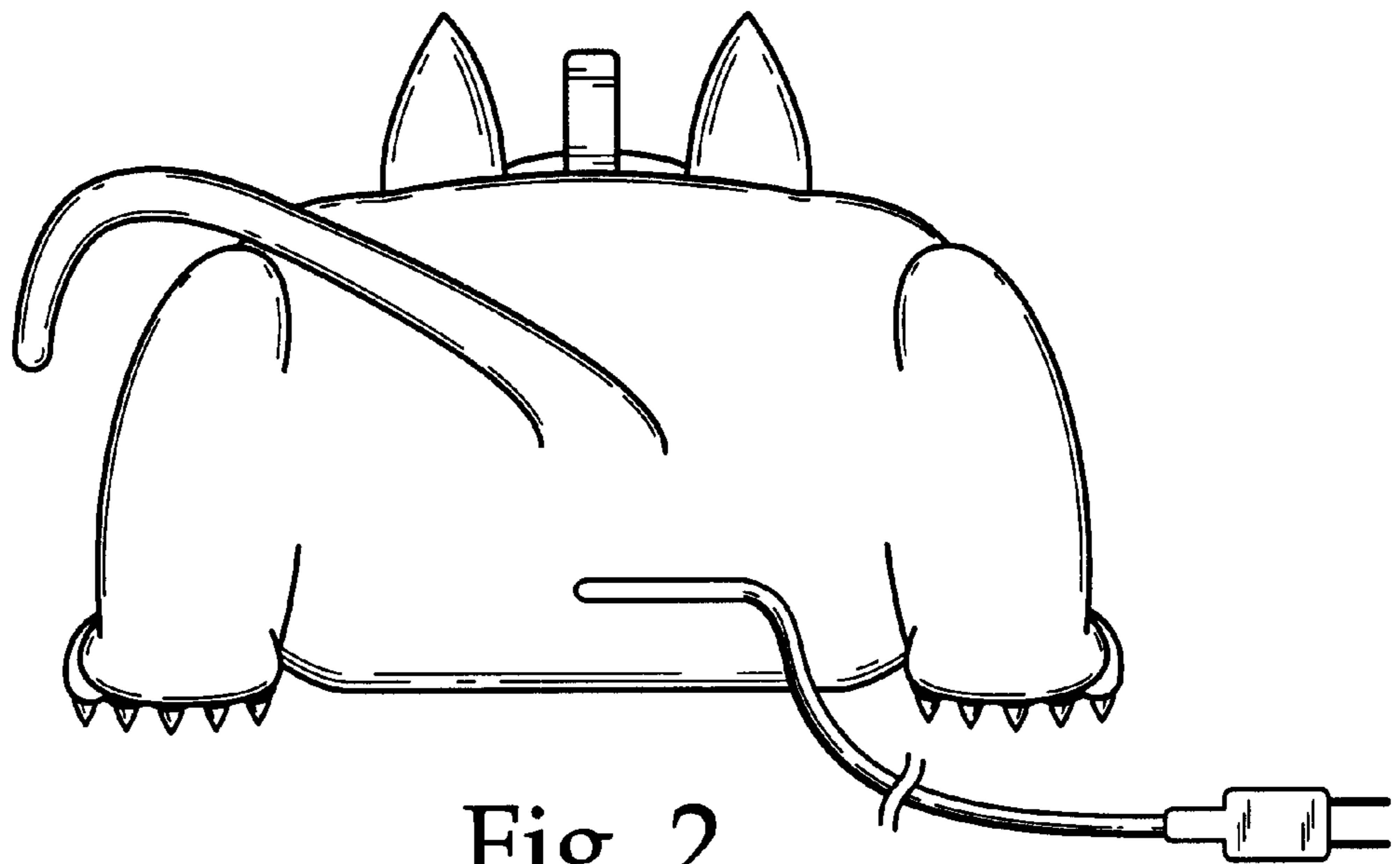


Fig. 2

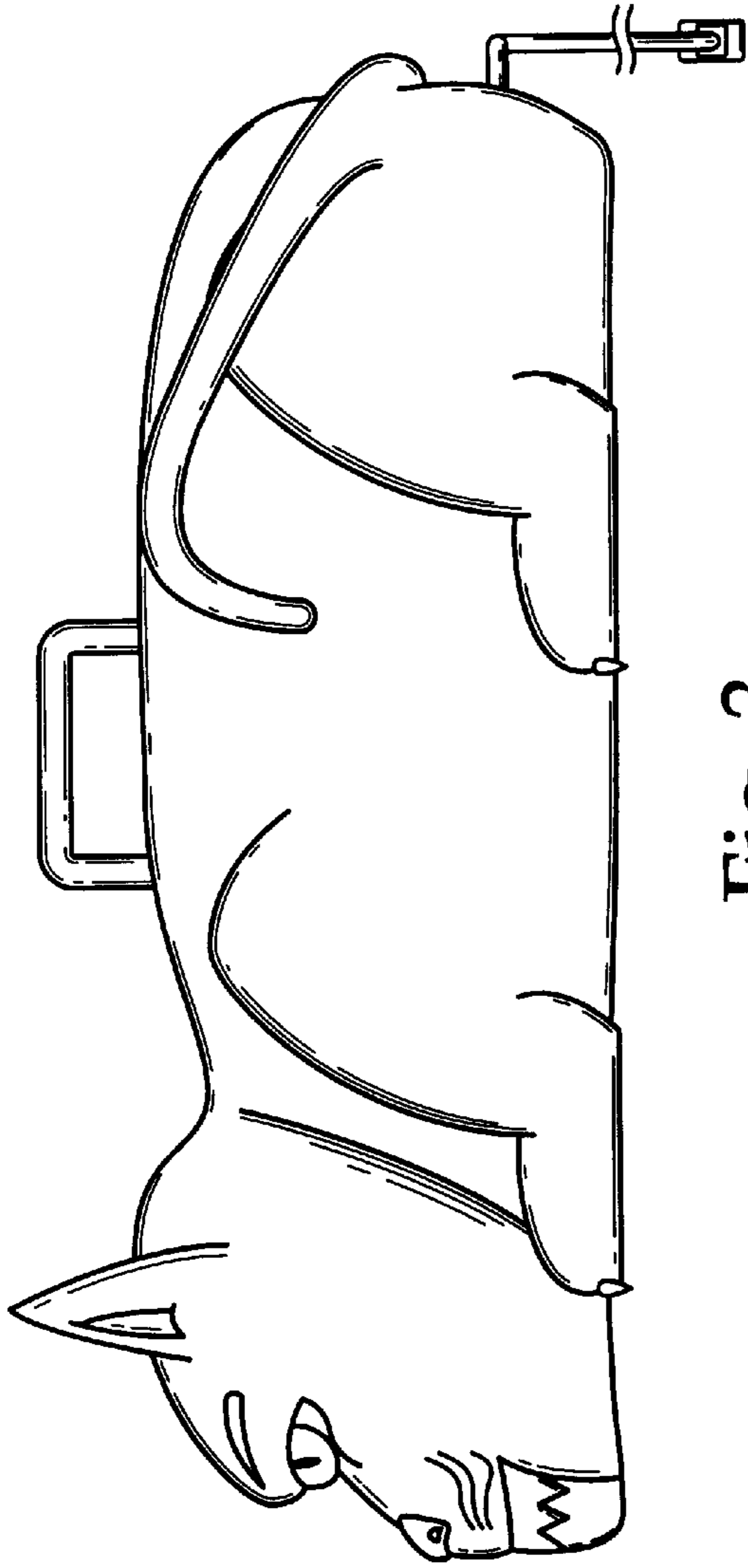


Fig. 3

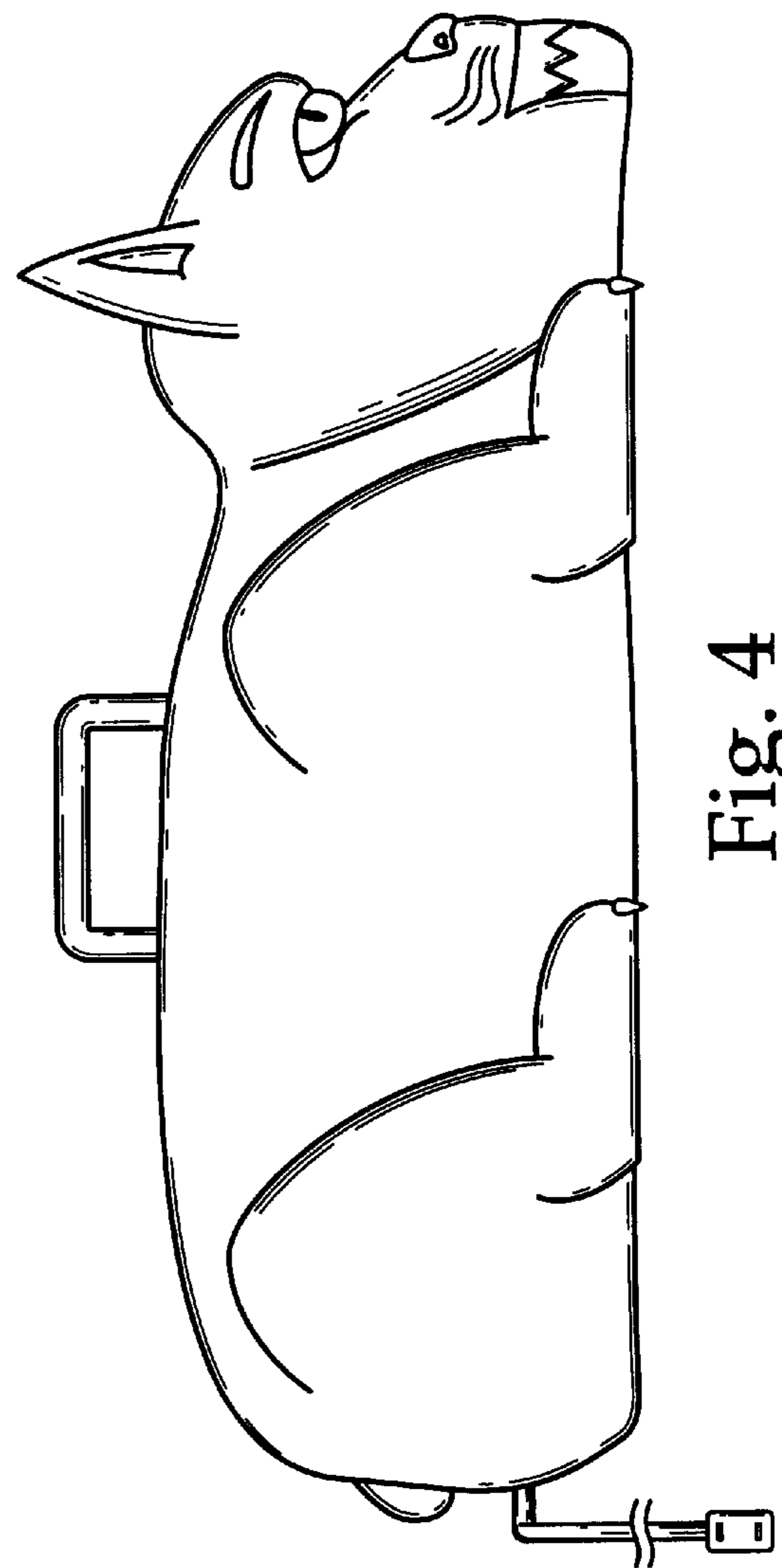


Fig. 4

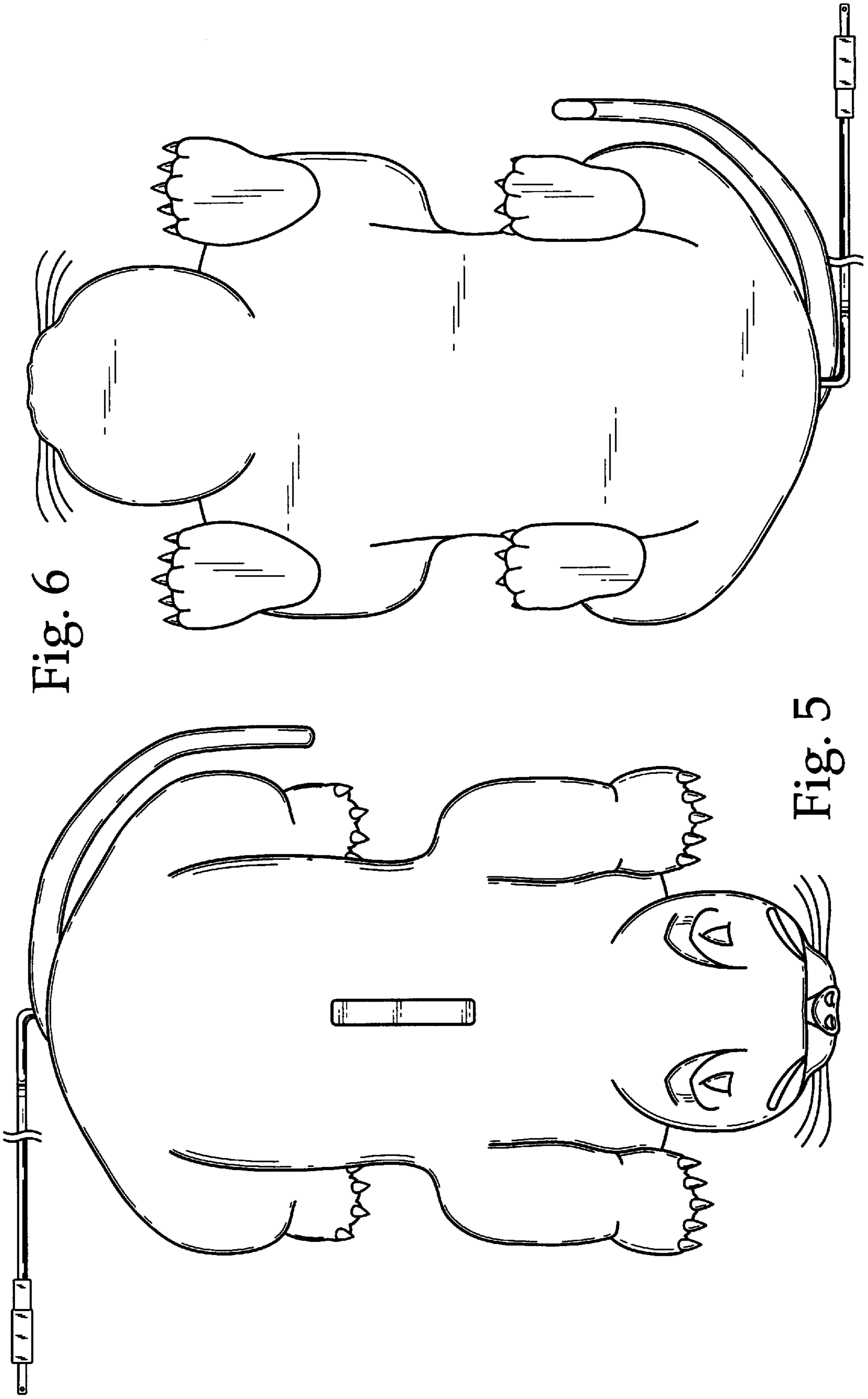


Fig. 6

Fig. 5