



US00D464386S

(12) **United States Design Patent**  
**Weng**

(10) **Patent No.:** **US D464,386 S**

(45) **Date of Patent:** **\*\* Oct. 15, 2002**

(54) **WOOD BALL BAT**

D385,934 S \* 11/1997 You ..... D21/757

(76) Inventor: **Chi-Hsiang Weng**, c/o Percy  
International Patent Corp., P.O. Box  
1-79, Taipei (TW)

\* cited by examiner

*Primary Examiner*—Mitchell Siegel

(\*\*) Term: **14 Years**

(57) **CLAIM**

The ornamental design for a wood ball bat, as shown.

(21) Appl. No.: **29/150,879**

**DESCRIPTION**

(22) Filed: **Dec. 3, 2001**

(51) **LOC (7) Cl.** ..... **21-02**

(52) **U.S. Cl.** ..... **D21/725**

(58) **Field of Search** ..... D21/725, 736,  
D21/757, 734; 473/564-568

FIG. 1 is a perspective view of the wood ball bat of this invention;

FIG. 2 is a front elevational view thereof; and the rear elevational view being a mirror image thereof;

FIG. 3 is a top plan view thereof;

FIG. 4 is a bottom plan view thereof;

FIG. 5 is a left side elevational view thereof; and the right side elevational view being a mirror image thereof; and,

FIG. 6 is a right side elevational view thereof.

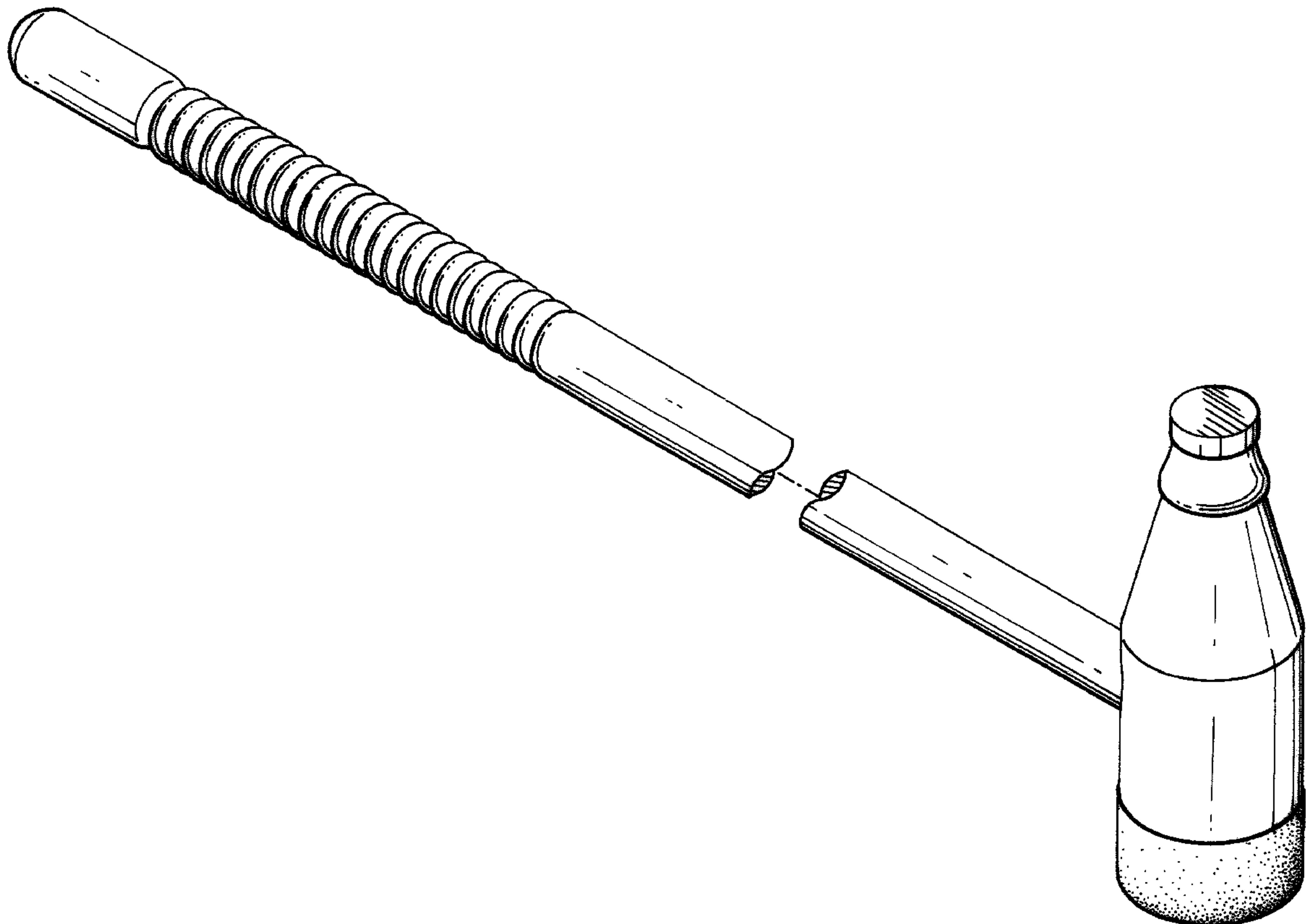
The broken away section is shown do to indeterminate length of the claimed design.

(56) **References Cited**

**U.S. PATENT DOCUMENTS**

D193,436 S	*	8/1962	Patrick	.....	D21/725
D343,666 S	*	1/1994	Schmitt	.....	D21/734
D359,541 S	*	6/1995	Lamanna	.....	D21/757
D378,771 S	*	4/1997	Antonious	.....	D21/757
D380,802 S	*	7/1997	Franks	.....	D21/757

**1 Claim, 4 Drawing Sheets**



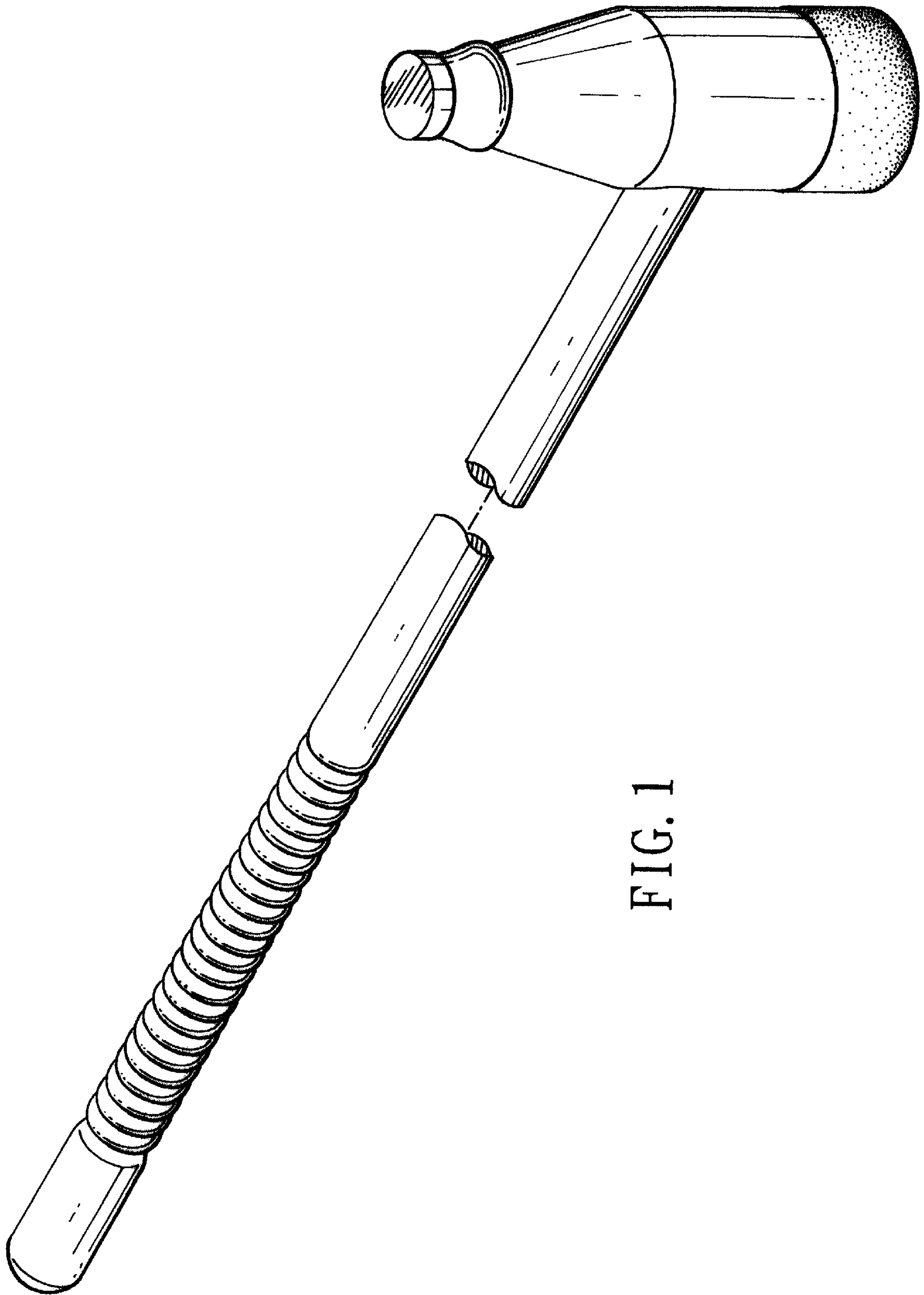


FIG. 1

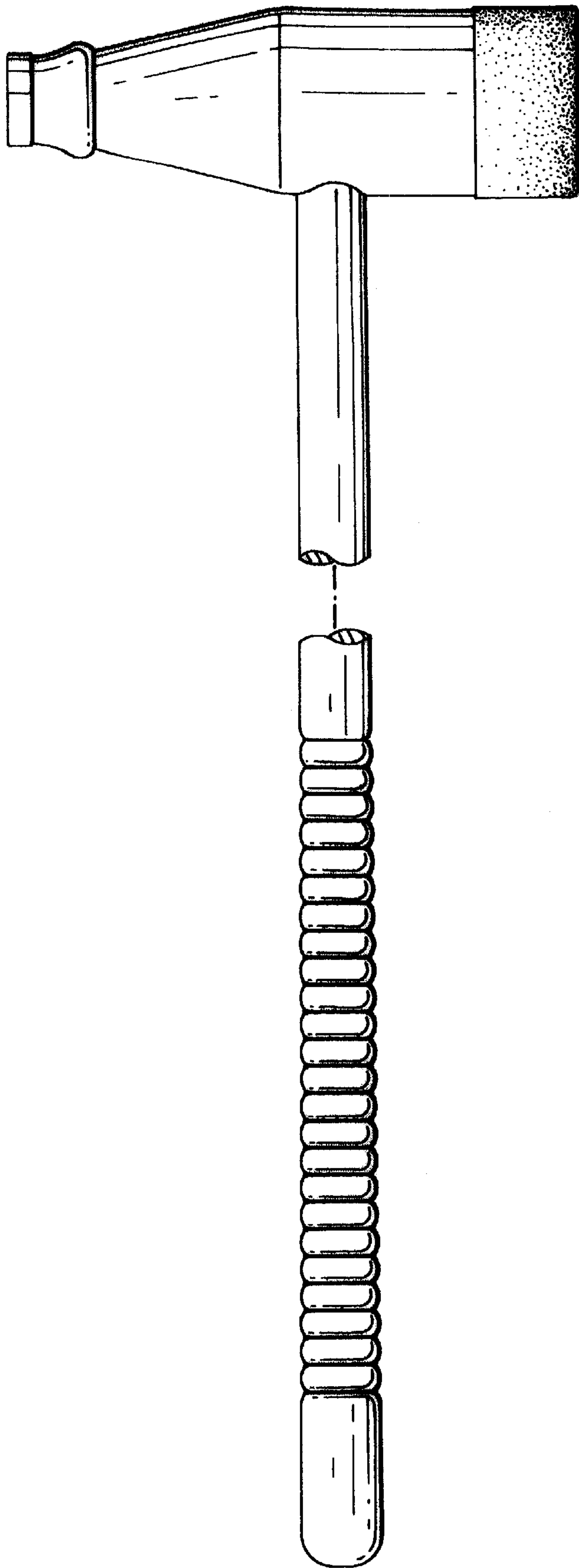


FIG. 2

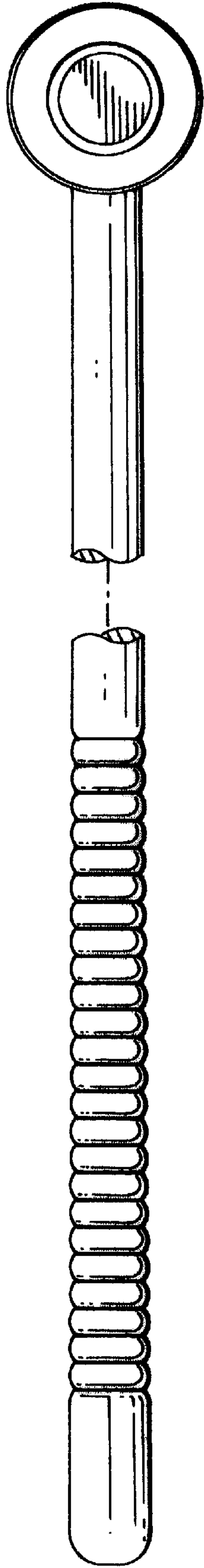


FIG. 3

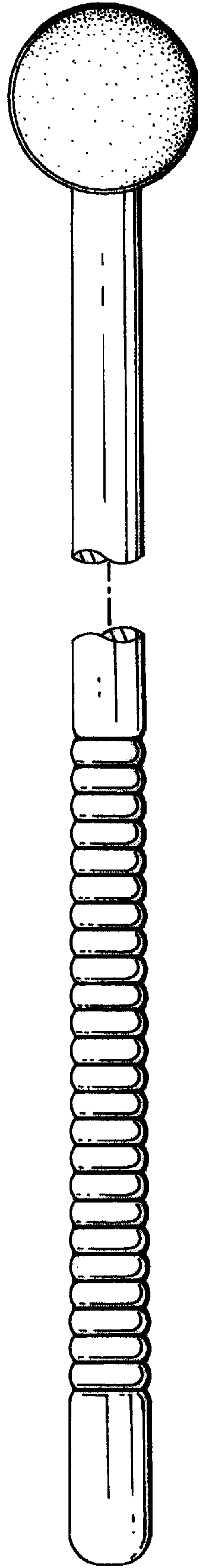


FIG. 4

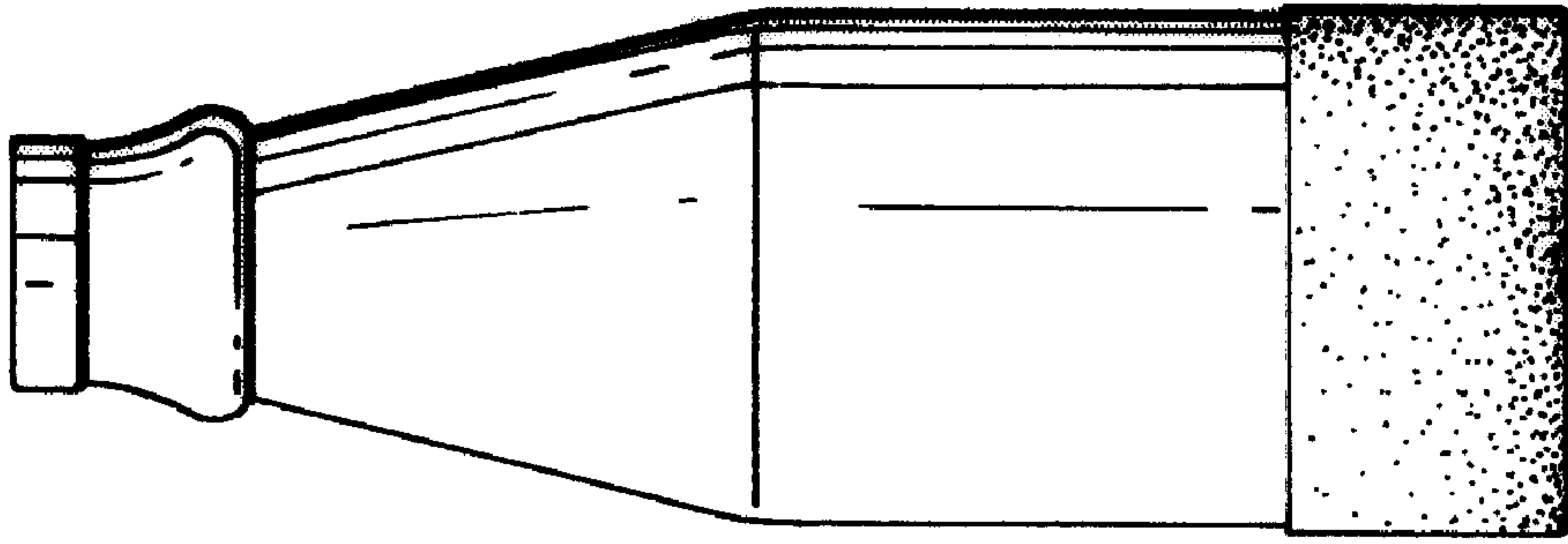


FIG. 6

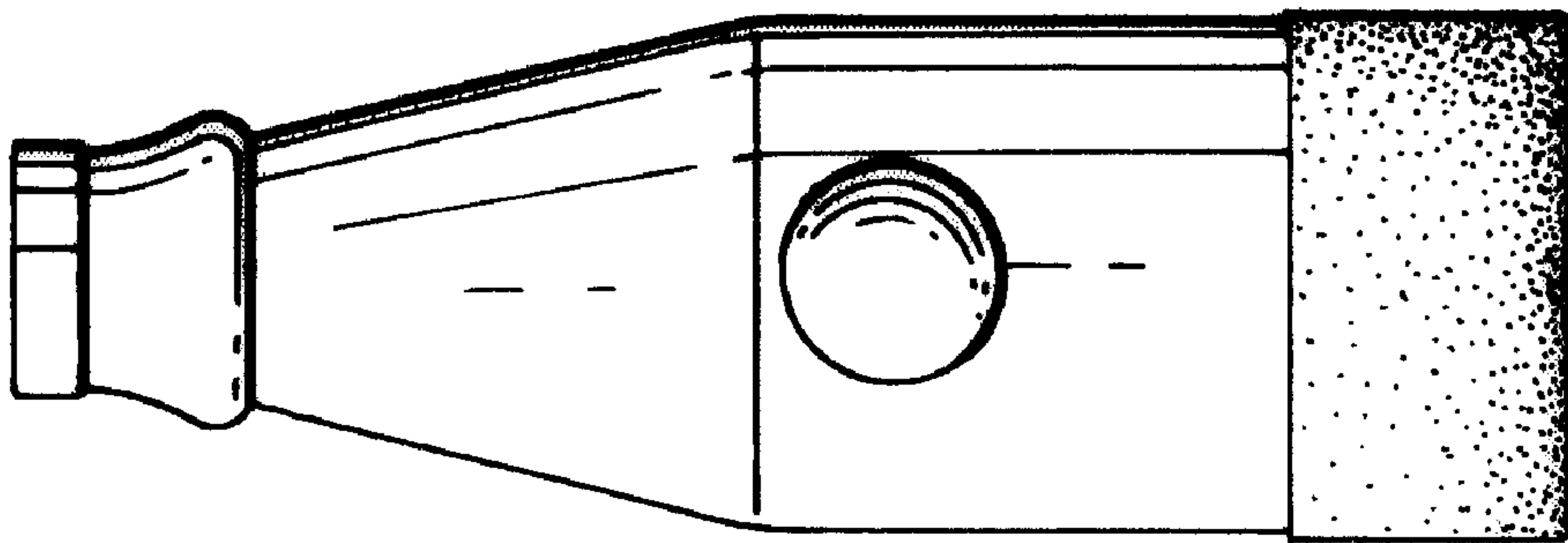


FIG. 5