



US00D464381S

(12) **United States Design Patent**
Sorensen

(10) **Patent No.:** **US D464,381 S**

(45) **Date of Patent:** **** Oct. 15, 2002**

(54) **TOY BUILDING ELEMENT**

(76) **Inventor:** **Soren Christian Sorensen, P.O. Box**
256 North Side, Grand Cayman (KY)

(**) **Term:** **14 Years**

(21) **Appl. No.:** **29/157,213**

(22) **Filed:** **Mar. 14, 2002**

Related U.S. Application Data

(63) **Continuation-in-part of application No. 29/145,912, filed on**
Jul. 30, 2001, now Pat. No. Des. 456,048.

(51) **LOC (7) Cl. 21-01**

(52) **U.S. Cl. D21/503**

(58) **Field of Search D21/484-505;**
446/85, 108-117, 120-122, 124, 125, 128;
52/604, 598

(56) **References Cited**

U.S. PATENT DOCUMENTS

2,132,757	A	10/1938	Paulson	
2,472,363	A	6/1949	Blackinton	
D179,688	S	* 2/1957	Kaplan	
3,877,170	A	4/1975	Bakker	
D238,168	S	12/1975	Ketcham	
D249,230	S	9/1978	Van der Veken	
D249,232	S	9/1978	Van der Veken	
4,792,319	A	* 12/1988	Svagerko	446/128
D317,477	S	* 6/1991	Poulsen	D21/500
5,049,105	A	9/1991	Glickman	
5,267,863	A	12/1993	Simmons, Jr.	
D344,300	S	2/1994	Knudsen	
D354,319	S	1/1995	Wilson	
D362,875	S	* 10/1995	Vognsen	D21/500
5,471,808	A	12/1995	De Pieri et al.	
5,493,816	A	* 2/1996	Willemsen	446/125
D368,939	S	4/1996	Frederiksen	
D370,503	S	* 6/1996	Burns	D21/500
5,527,201	A	6/1996	Maddock	
D371,398	S	* 7/1996	Glynn	D21/500
D378,837	S	* 4/1997	Olsen	D21/500
5,653,621	A	* 8/1997	Yao	446/85
5,848,927	A	12/1998	Frederiksen	
D403,721	S	1/1999	Bean	

D430,231	S	* 8/2000	Sorensen	D21/499
D435,609	S	* 12/2000	Sorensen	D21/503
D437,895	S	* 2/2001	Sorensen	D21/504
6,250,986	B1	6/2001	Sorensen	
D445,148	S	* 7/2001	McIntosh	D21/500
D456,048	S	4/2002	Sorensen	
D456,462	S	4/2002	Sorensen	
D456,463	S	4/2002	Sorensen	

FOREIGN PATENT DOCUMENTS

FR	00 0600	5/2000
WO	WO 93/04749	3/1993
WO	WO 00/47302	8/2000

OTHER PUBLICATIONS

“Fun-Tastic Blocks”, Kuti-City Catalog Feb. 23, 1995.

* cited by examiner

Primary Examiner—Raphael Barkai

(74) *Attorney, Agent, or Firm*—Edward W. Callan

(57) **CLAIM**

The ornamental design for a toy building element, as shown and described.

DESCRIPTION

It is intended that the toy building element of the present invention be used in a set of toy building elements that are capable of being interconnected in a releasable engagement. FIG. 1 is a top perspective view of the toy building element. FIG. 2 is a top view of the toy building element shown in FIG. 1. FIG. 3 is a front view of the toy building element shown in FIG. 1. FIG. 4 is a back view of the toy building element shown in FIG. 1. FIG. 5 is a left side view of the toy building element shown in FIG. 1; and, FIG. 6 is a right side view of the toy building element shown in FIG. 1. The bottom view of the toy building element shown in FIG. 1 does not form part of the claimed design.

1 Claim, 1 Drawing Sheet

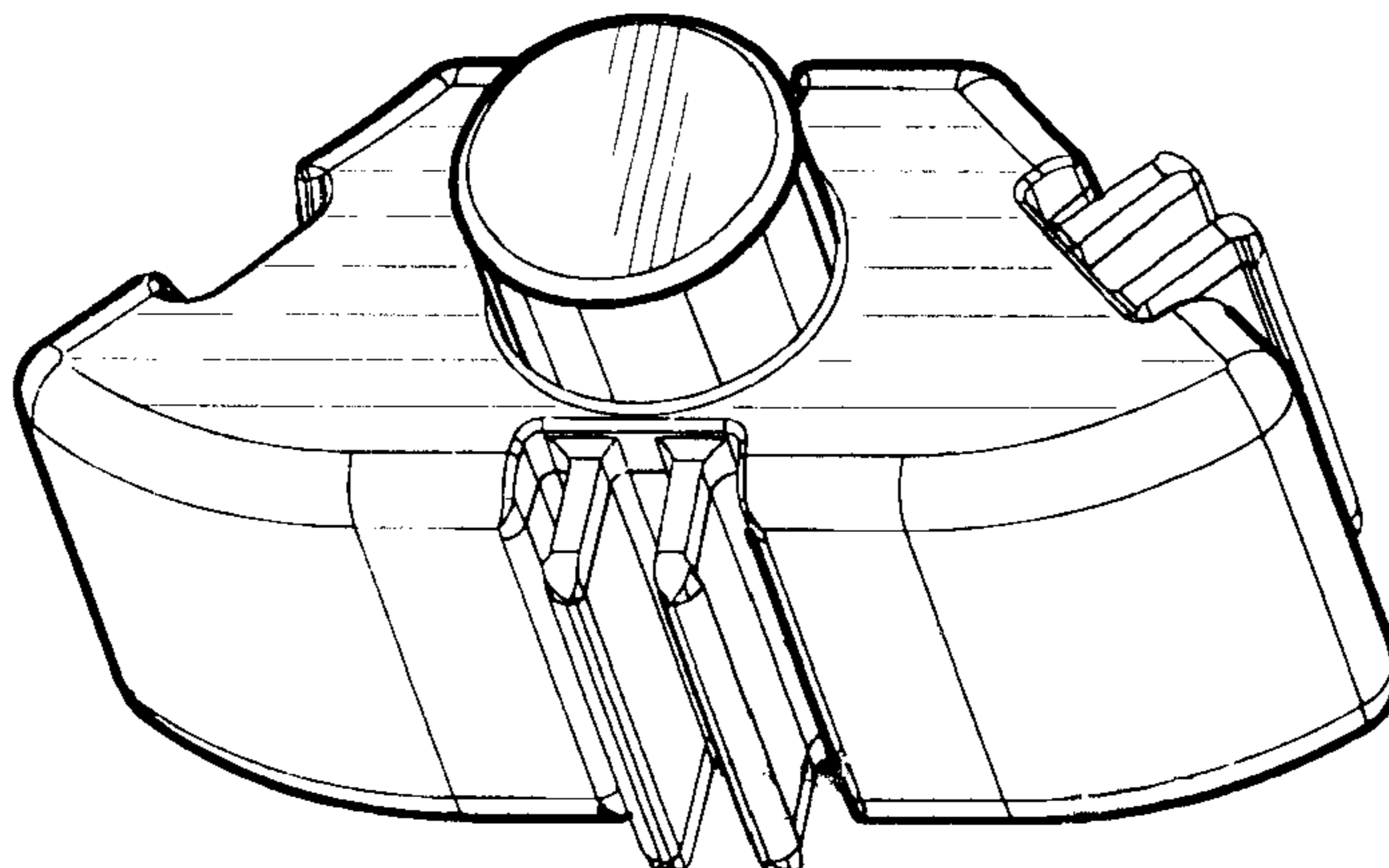


FIG. 1

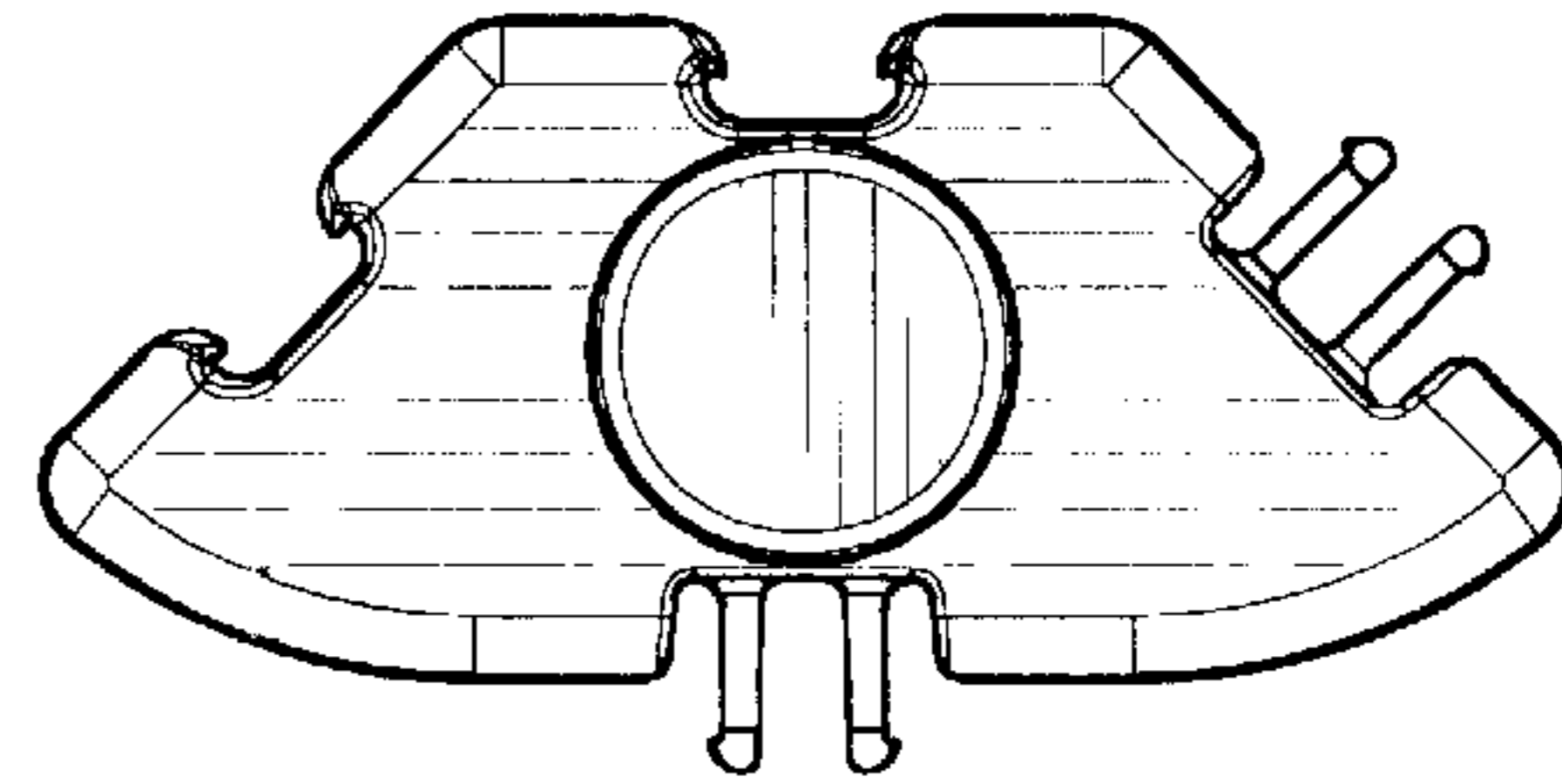
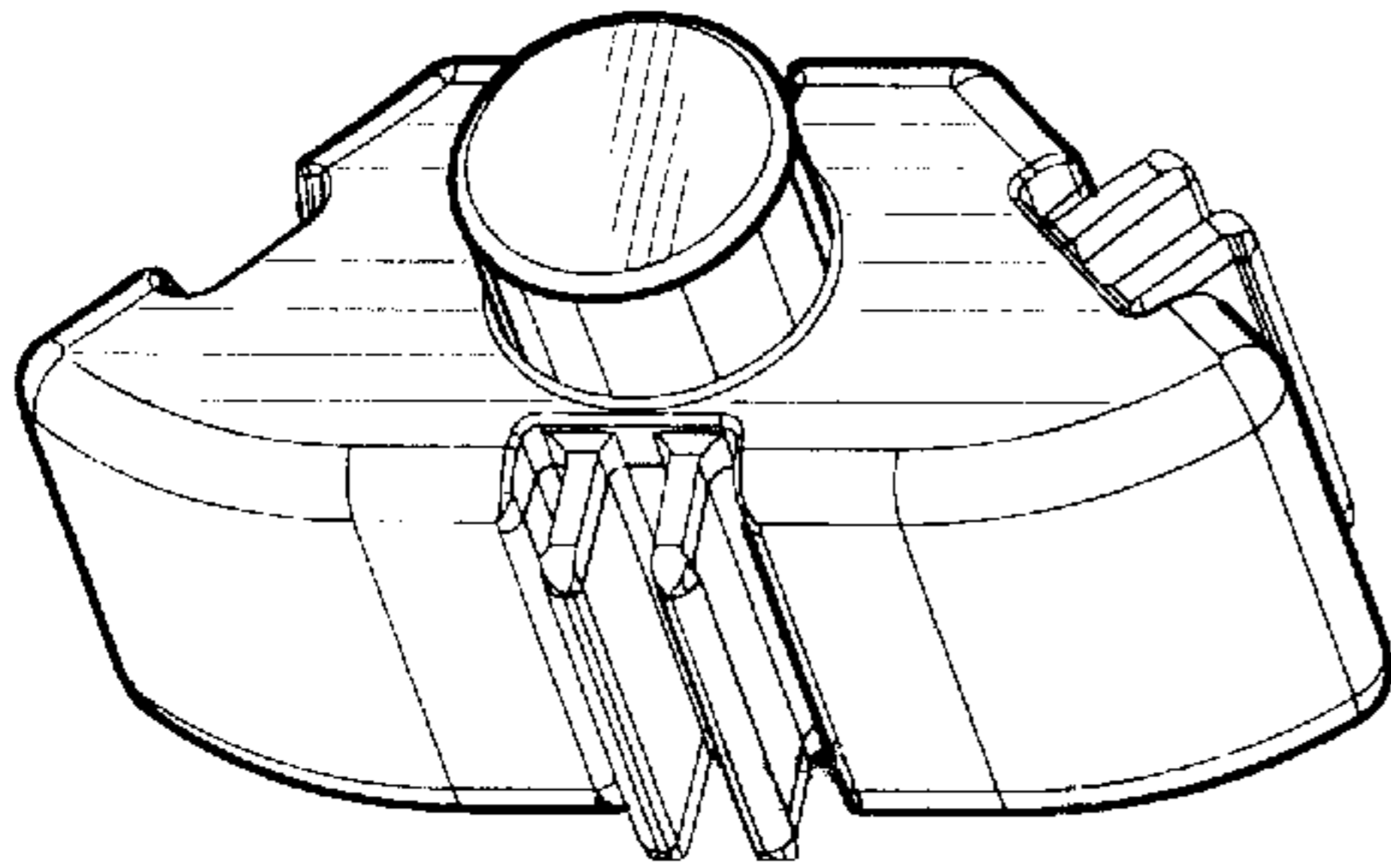


FIG. 2

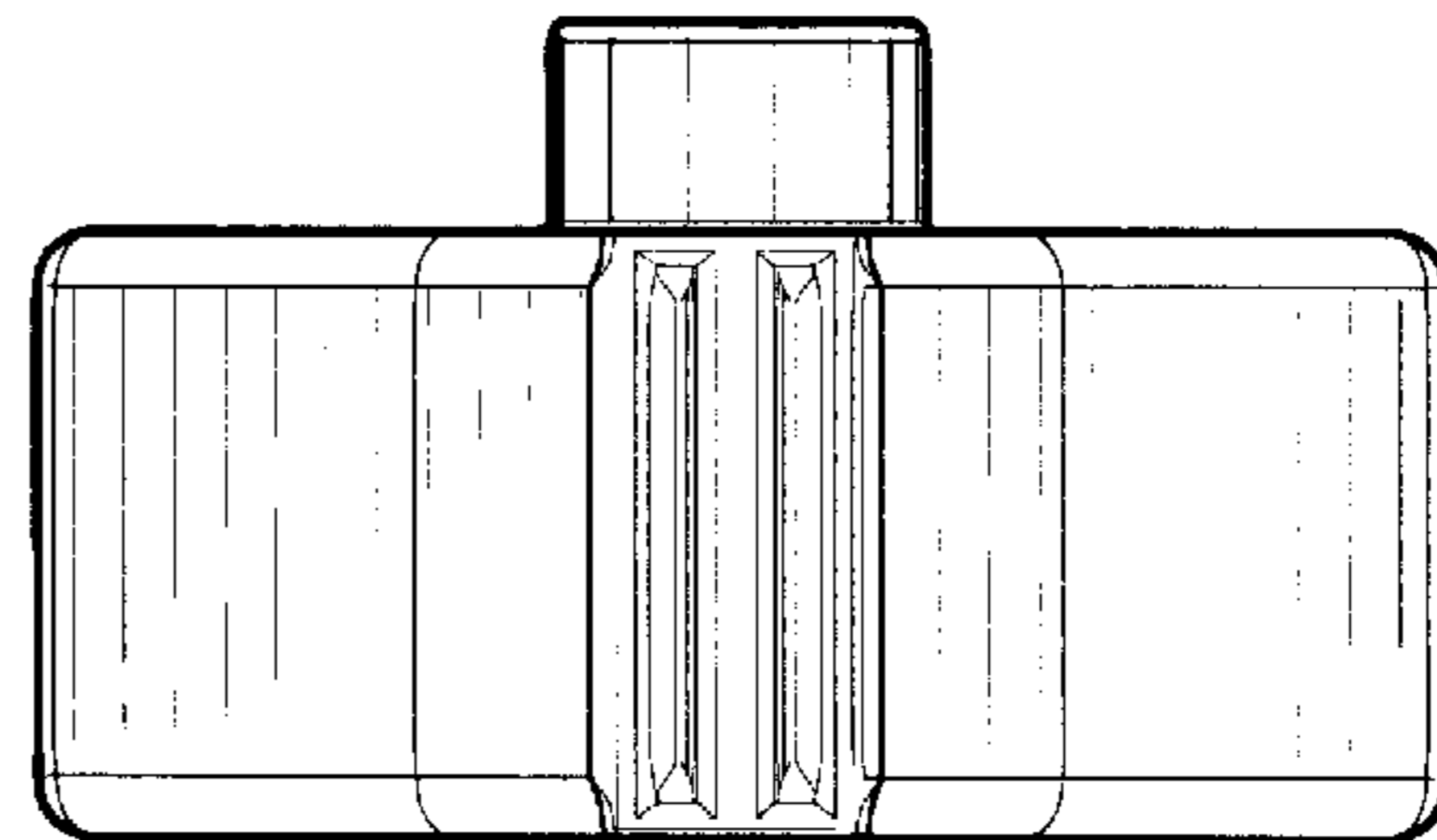


FIG. 3

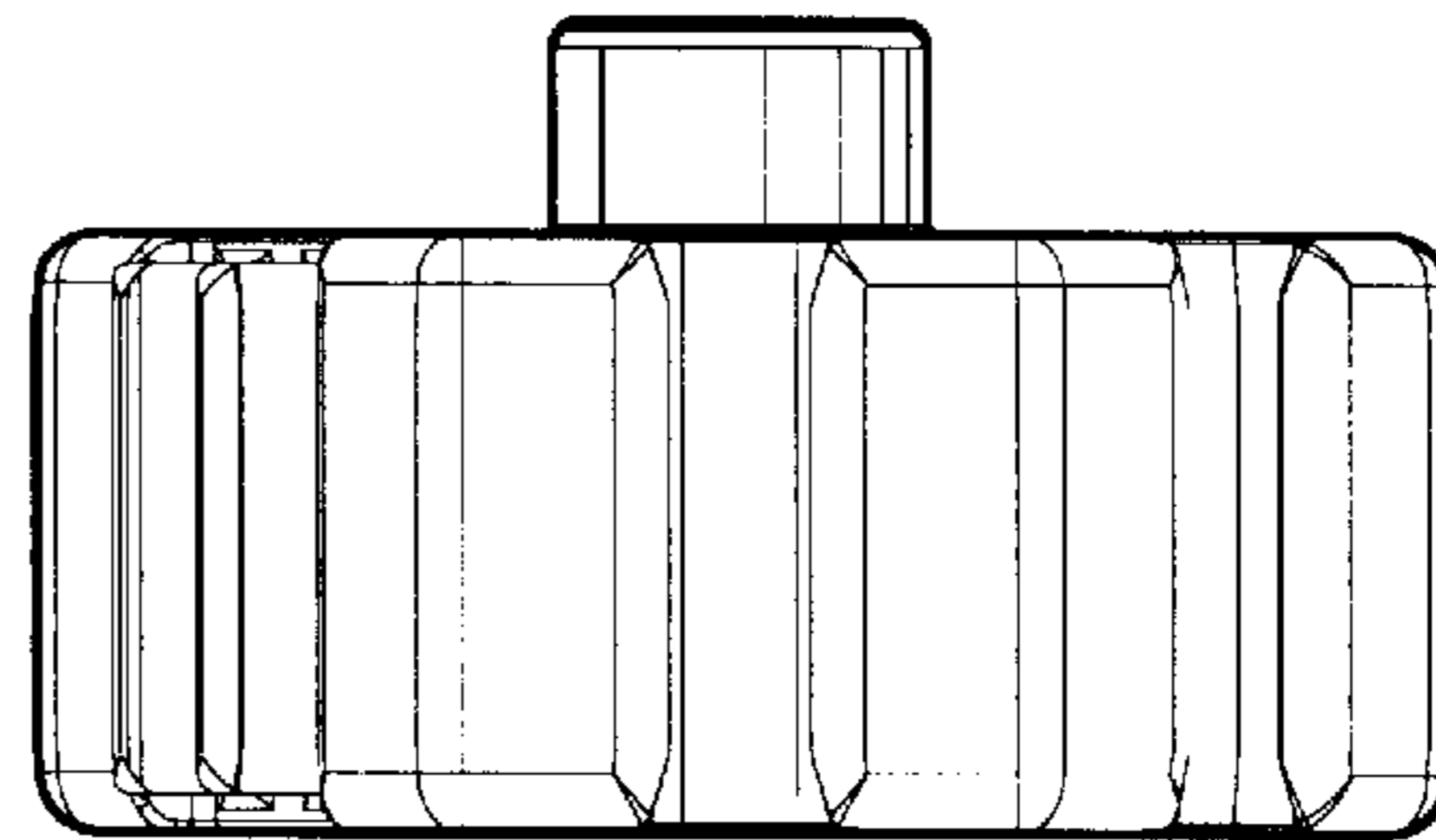


FIG. 4

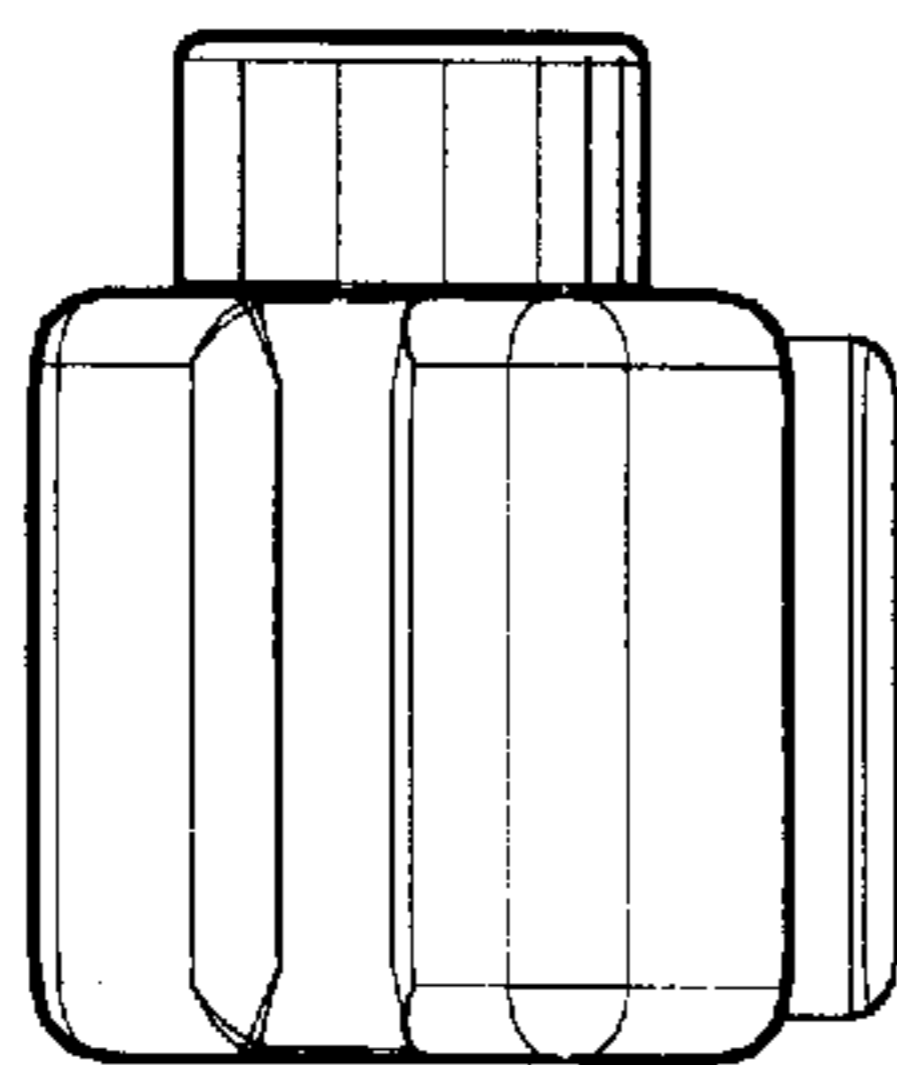


FIG. 5

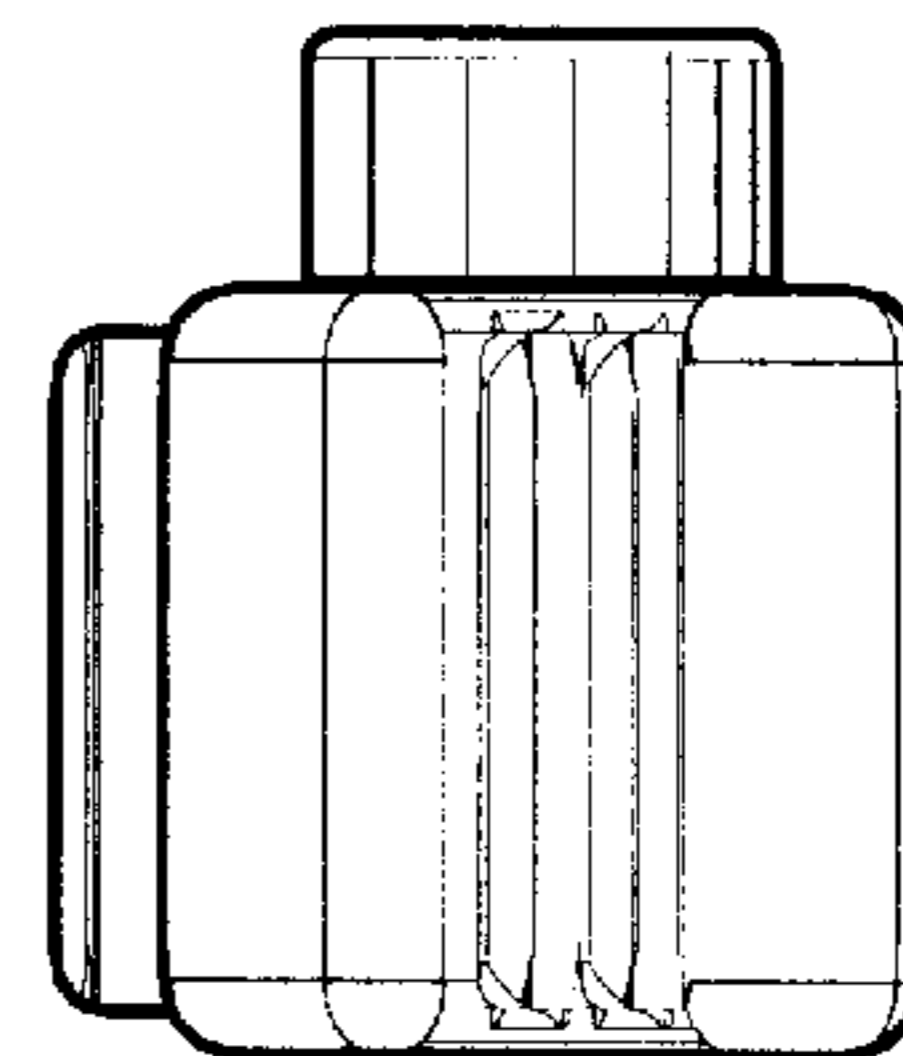


FIG. 6