



US00D464379S

(12) **United States Design Patent**  
**Lin**

(10) **Patent No.:** **US D464,379 S**

(45) **Date of Patent:** **\*\* Oct. 15, 2002**

(54) **ELECTRIC SCOOTER**

(76) **Inventor:** **Steve Lin**, No. 80, Kengtsai Ping,  
Hoping Village, Chuchi Hsiang, Chiayi  
Hsien (TW)

(\*\*) **Term:** **14 Years**

(21) **Appl. No.:** **29/150,372**

(22) **Filed:** **Nov. 23, 2001**

(51) **LOC (7) Cl.** ..... **21-01**

(52) **U.S. Cl.** ..... **D21/423**

(58) **Field of Search** ..... D21/419, 421,  
D21/423, 424, 426, 435, 533, 760, 765,  
771; D12/107, 110-112; 280/87.01, 87.021,  
87.041, 87.042, 261; 180/181, 216

(56) **References Cited**

**U.S. PATENT DOCUMENTS**

1,872,142 A \* 8/1932 Holtzman ..... 280/261  
5,167,397 A \* 12/1992 David ..... 280/87.021

5,848,660 A \* 12/1998 McGreen ..... 280/87.041  
D445,144 S \* 7/2001 Lin ..... D21/423  
D447,188 S \* 8/2001 Lan ..... D21/423  
D449,860 S \* 10/2001 Lin ..... D21/423

\* cited by examiner

*Primary Examiner*—Raphael Barkai

(74) *Attorney, Agent, or Firm*—Rosenberg, Klein & Lee

(57) **CLAIM**

The ornamental design for an electric scooter, as shown.

**DESCRIPTION**

FIG. 1 is a perspective view of an electric scooter, showing my new design;

FIG. 2 is a front elevational view thereof;

FIG. 3 is a rear elevational view thereof;

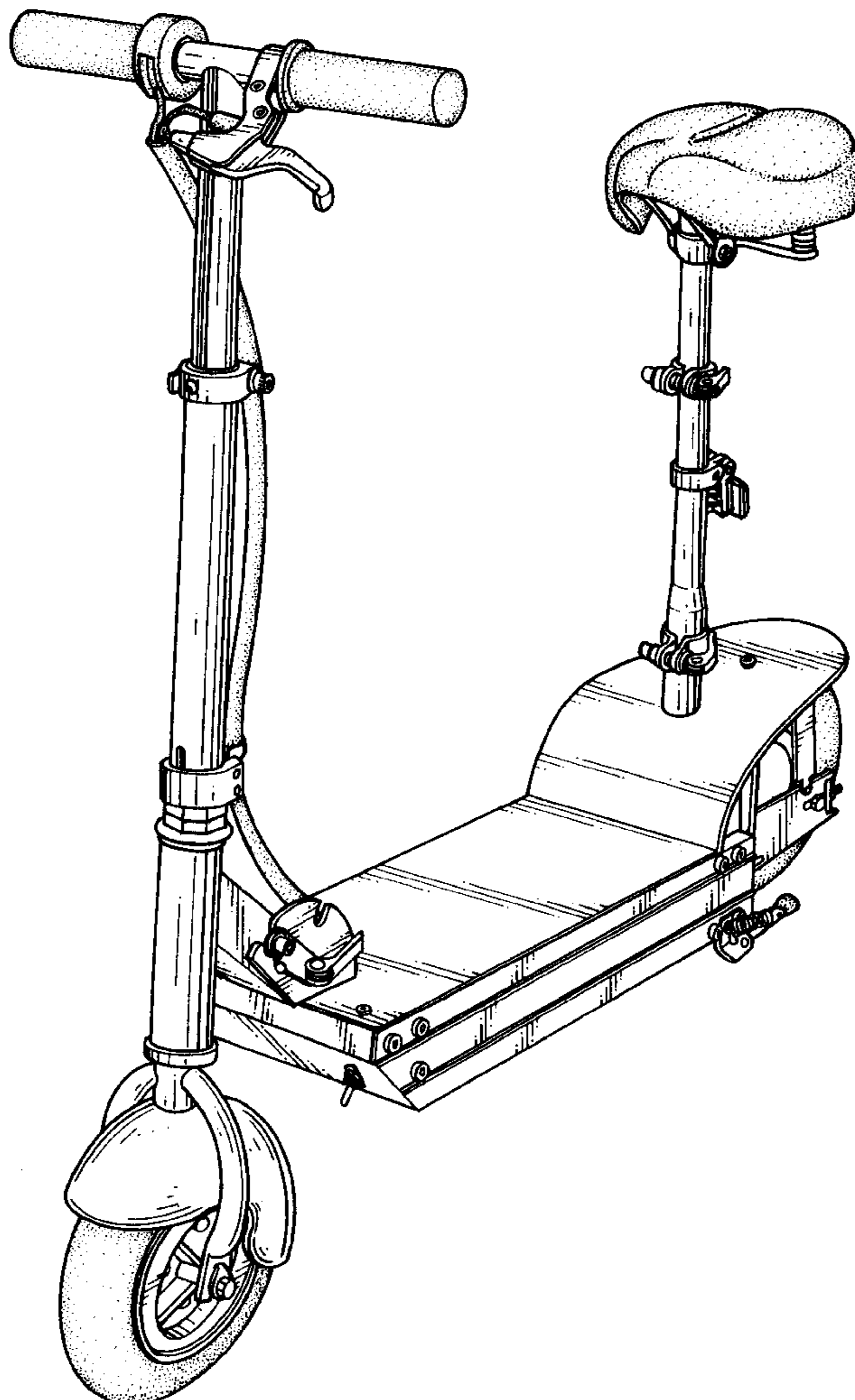
FIG. 4 is a left side elevational view thereof;

FIG. 5 is a right side elevational view thereof;

FIG. 6 is a top plan view thereof; and,

FIG. 7 is a bottom plan view thereof.

**1 Claim, 5 Drawing Sheets**



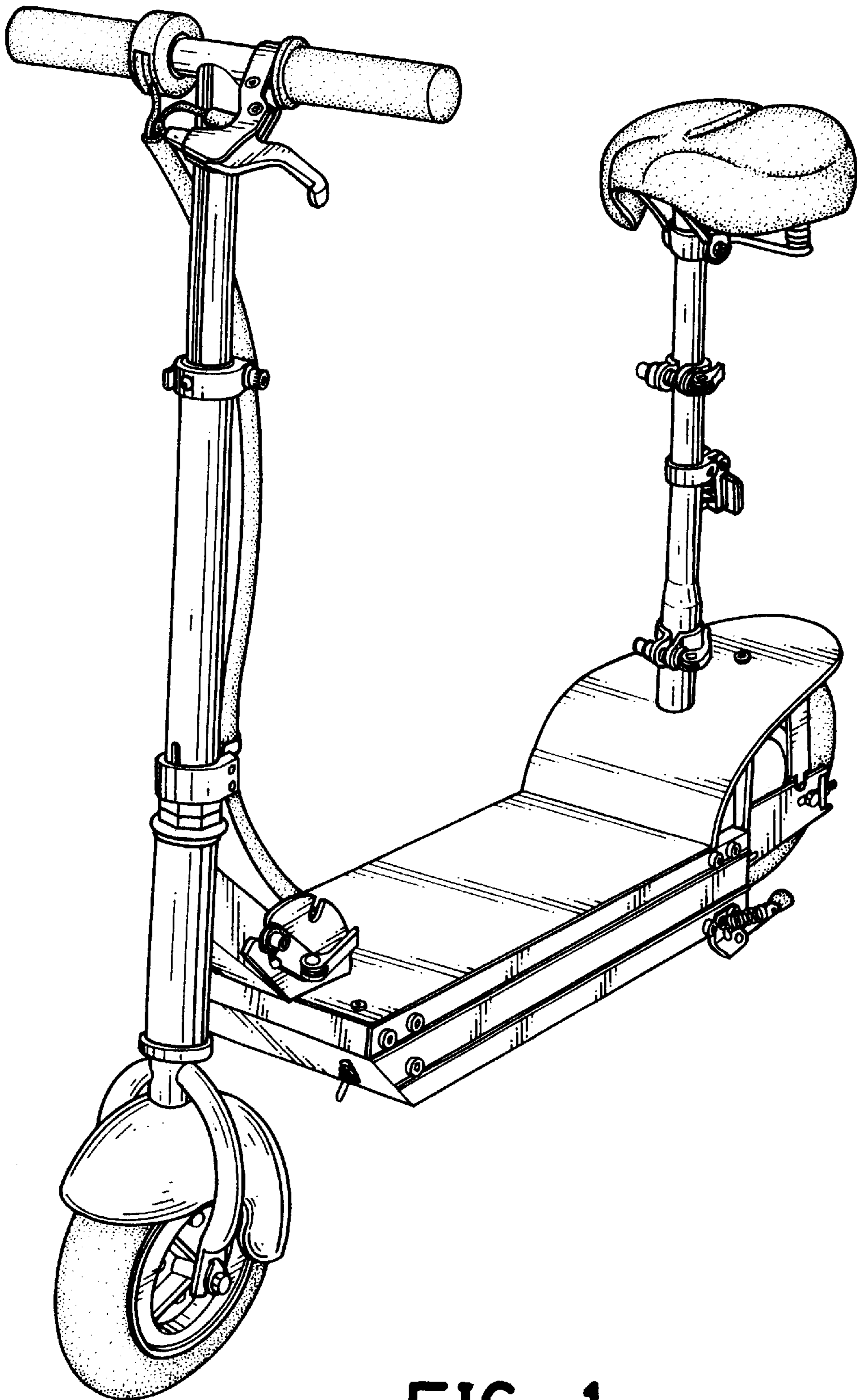


FIG. 1

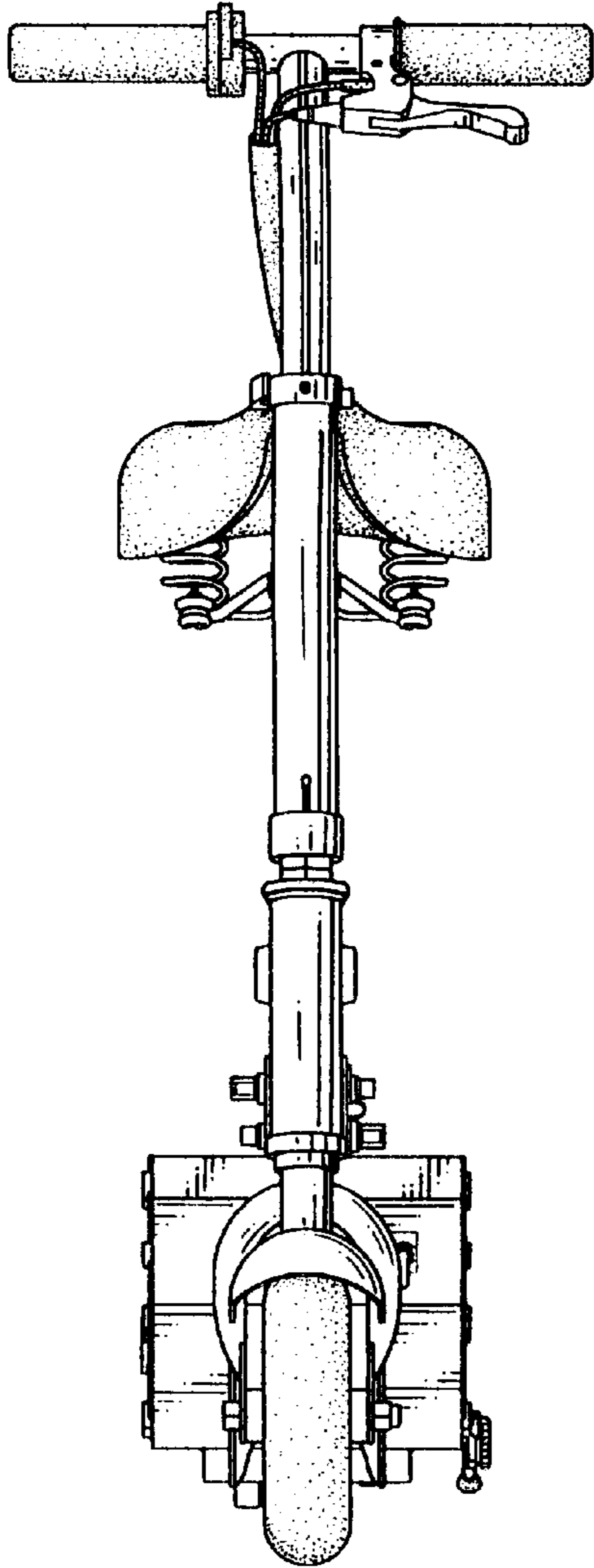


FIG. 2

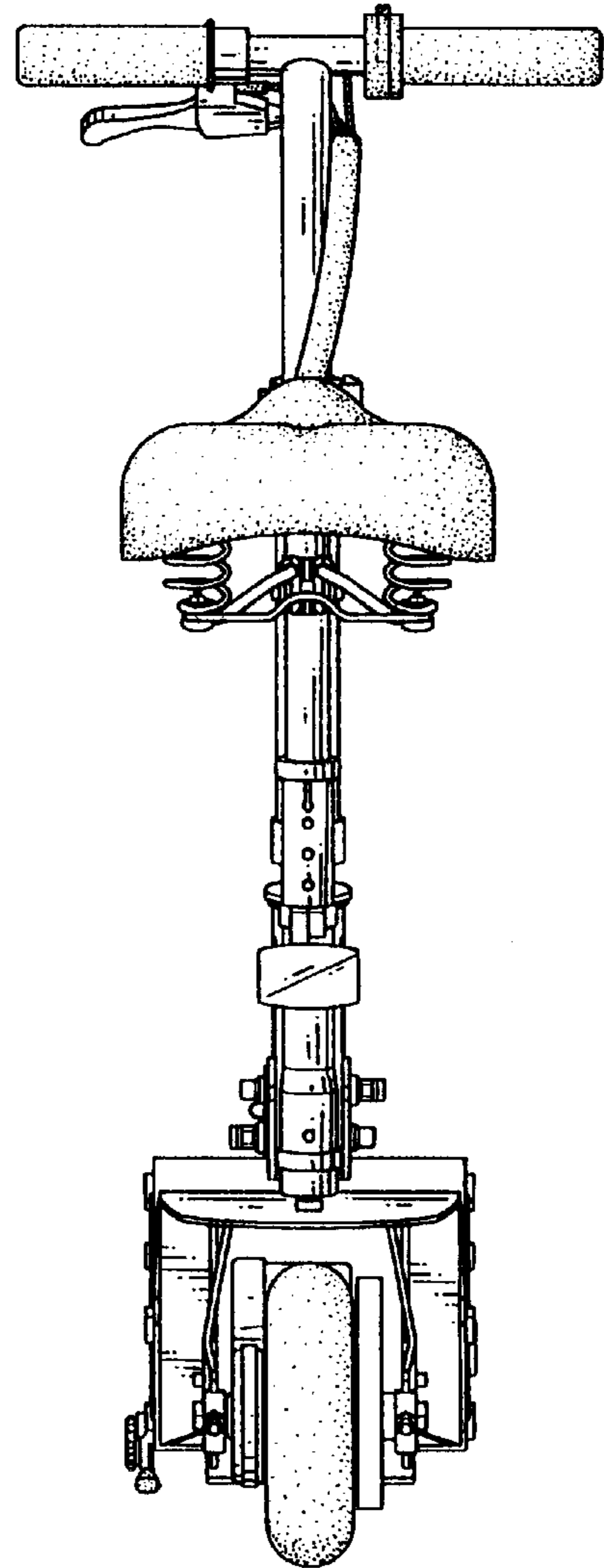


FIG. 3



FIG. 4



FIG. 5

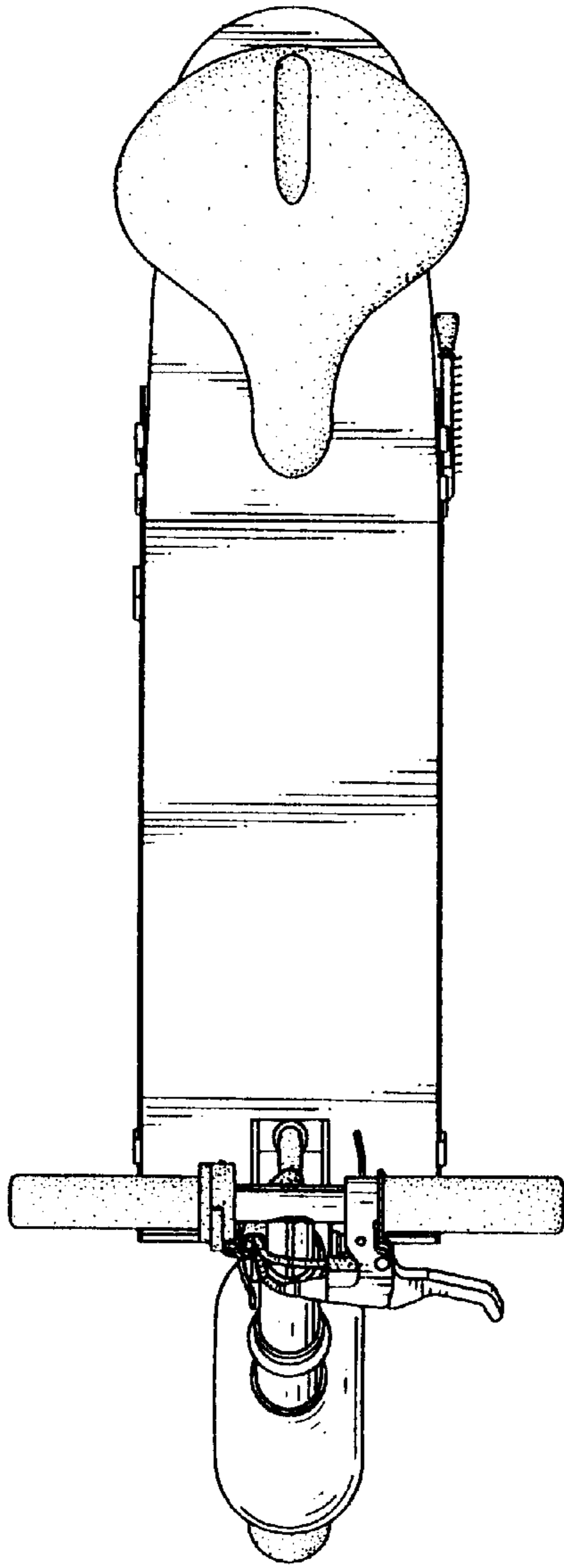


FIG. 6

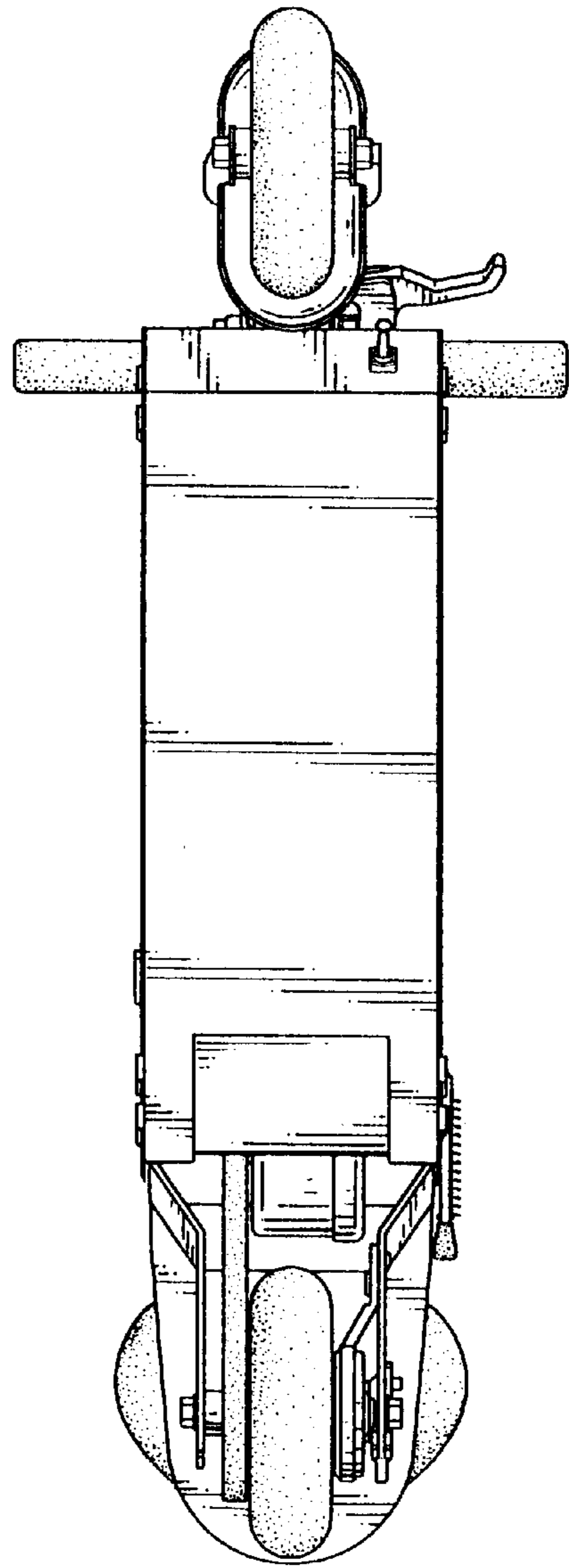


FIG. 7