



US00D464377S

(12) **United States Design Patent**
Wurz et al.

(10) **Patent No.: US D464,377 S**
(45) **Date of Patent: ** Oct. 15, 2002**

(54) **GAMING MACHINE**

(75) Inventors: **Norman R. Wurz**, Des Plaines, IL (US); **James M. Rasmussen**, Chicago, IL (US); **William C. Cesaroni**, Glenview, IL (US); **Robert J. Glenn, II**, Elk Grove Village, IL (US); **Jack B. Hough**, Chicago, IL (US)

(73) Assignee: **WMS Gaming Inc.**, Waukegan, IL (US)

(**) Term: **14 Years**

(21) Appl. No.: **29/151,796**

(22) Filed: **Oct. 30, 2001**

(51) **LOC (7) Cl.** **21-01**

(52) **U.S. Cl.** **D21/325**

(58) **Field of Search** D21/324-333,
D21/369; 278/148 B, 271, 274, 236, 237,
138.2; 463/1, 10-13, 16-22, 29-35, 46,
47, 49

(56) **References Cited**

U.S. PATENT DOCUMENTS

D333,164 S * 2/1993 Kraft et al. D21/325
D358,616 S * 5/1995 Chung-Po D21/325
5,411,257 A * 5/1995 Fulton 463/13

5,456,468 A * 10/1995 Stringfellow et al. 463/46
D382,915 S * 8/1997 Yang D21/327
D388,469 S * 12/1997 Dickenson et al. D21/325
5,813,914 A * 9/1998 McKay et al. 463/20
5,820,460 A * 10/1998 Fulton 463/13
5,851,147 A * 12/1998 Stupak et al. 463/13
5,931,734 A * 8/1999 Nakatani et al. 463/23
D424,122 S * 5/2000 Dickenson et al. D21/325
6,290,229 B1 * 9/2001 Perez 273/148 B

* cited by examiner

Primary Examiner—Prabhakar Deshmukh

(57) **CLAIM**

The ornamental design for a “gaming machine,” as shown and described.

DESCRIPTION

FIG. 1 is an isometric view of a gaming machine showing our new design.

FIG. 2 is a front elevational view thereof.

FIG. 3 is a rear elevational view thereof.

FIG. 4 is a right side elevational view thereof.

FIG. 5 is a top plan view thereof.

FIG. 6 is a left side elevational view thereof; and,

FIG. 7 is a bottom plan view thereof.

The broken lines shown are for illustrative purposes only and form no part of the claimed design.

1 Claim, 4 Drawing Sheets

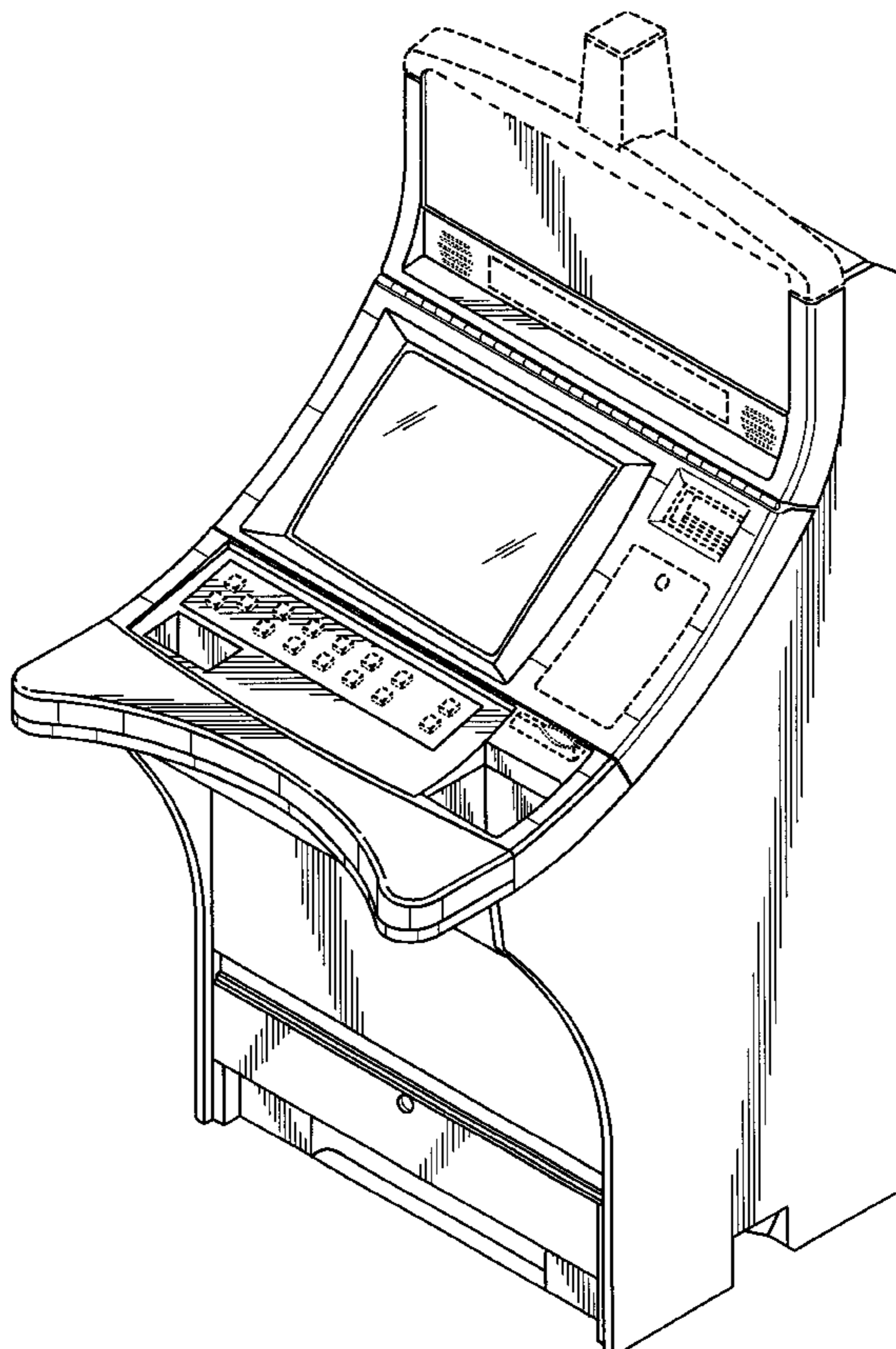


Fig. 1

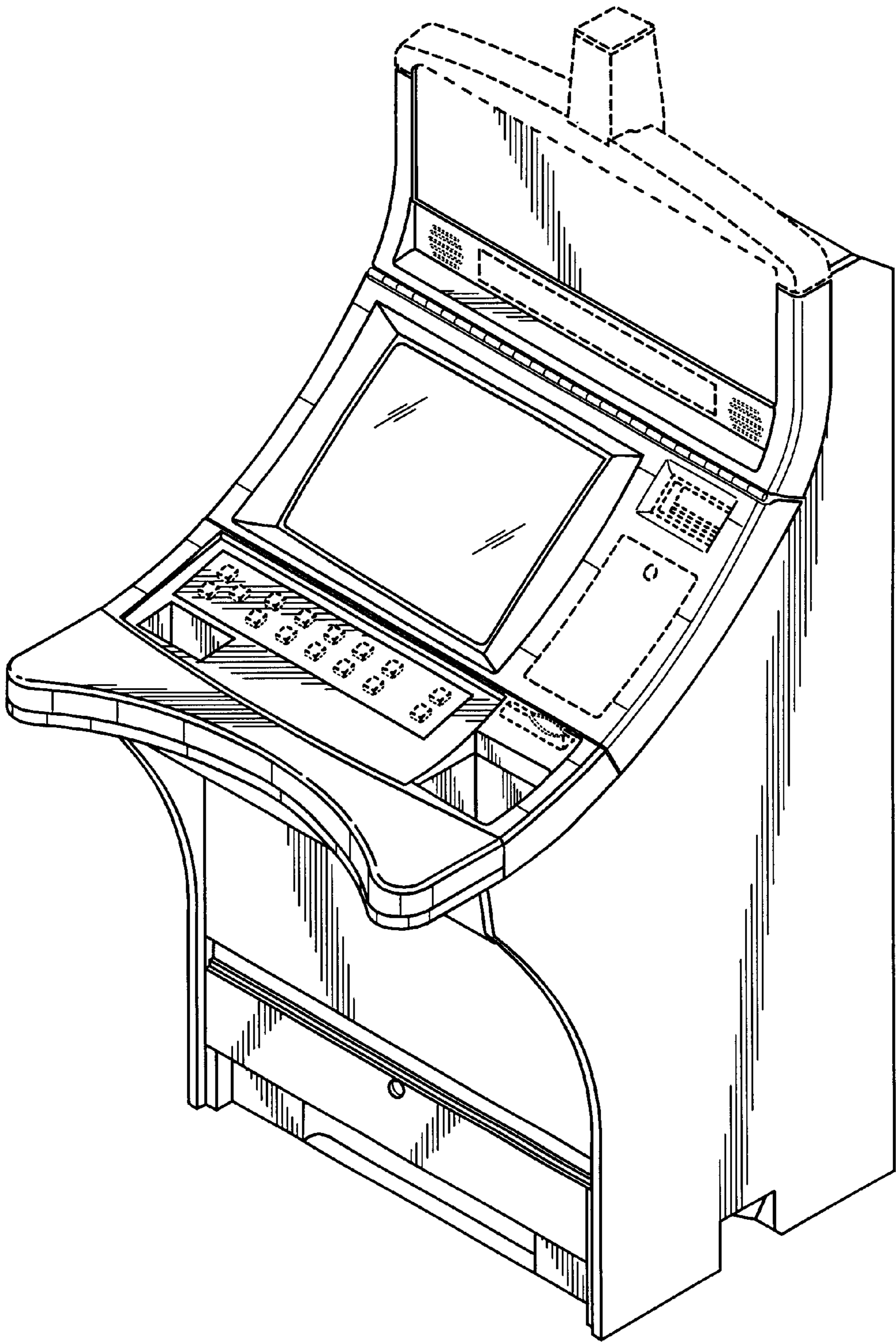


Fig. 2

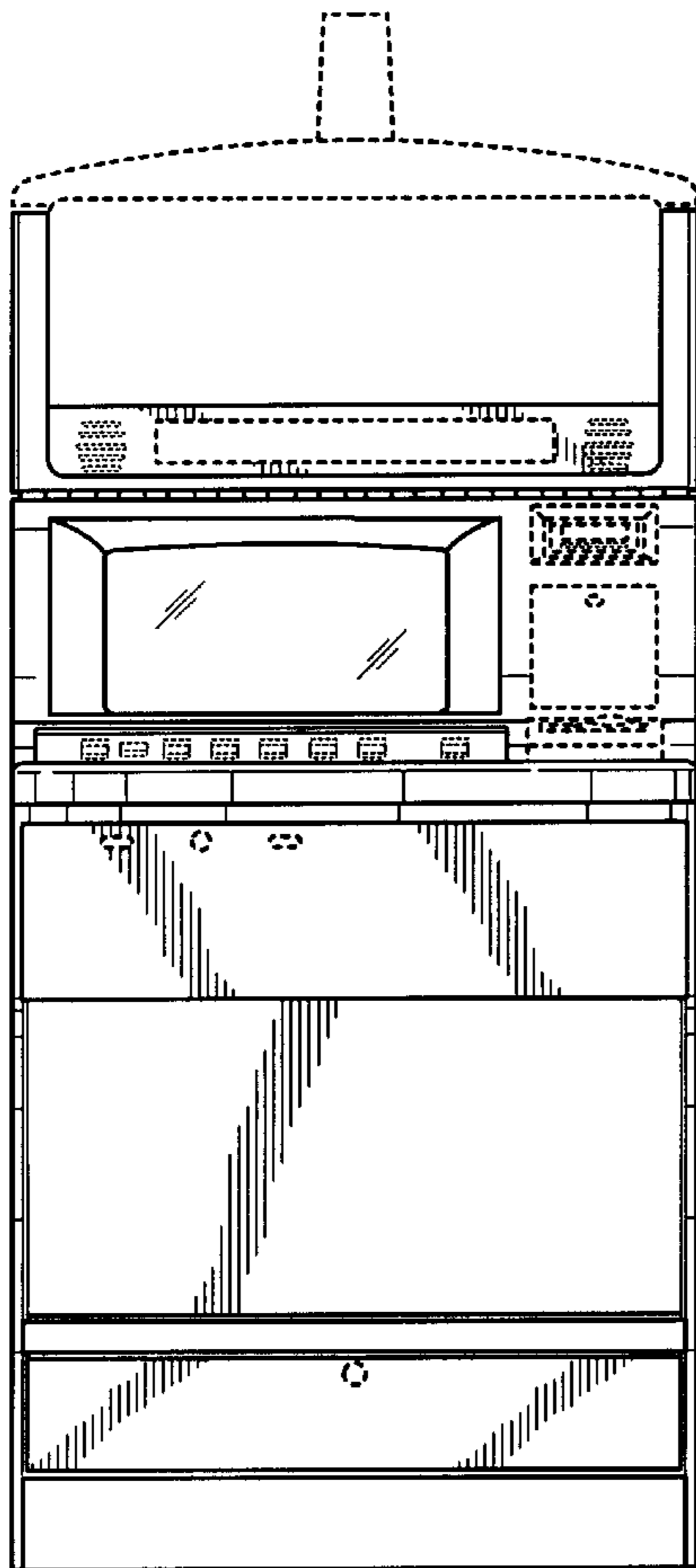


Fig. 3

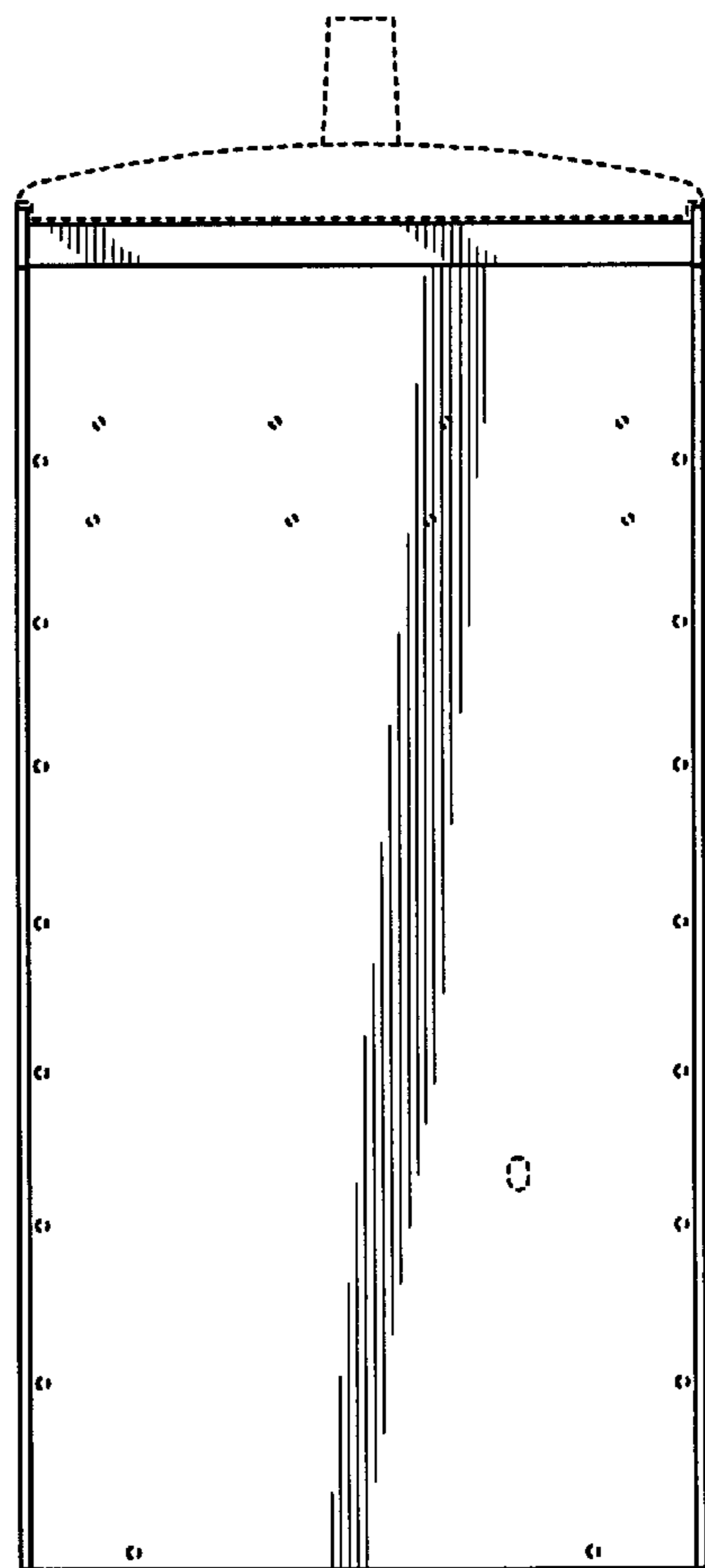


Fig. 4

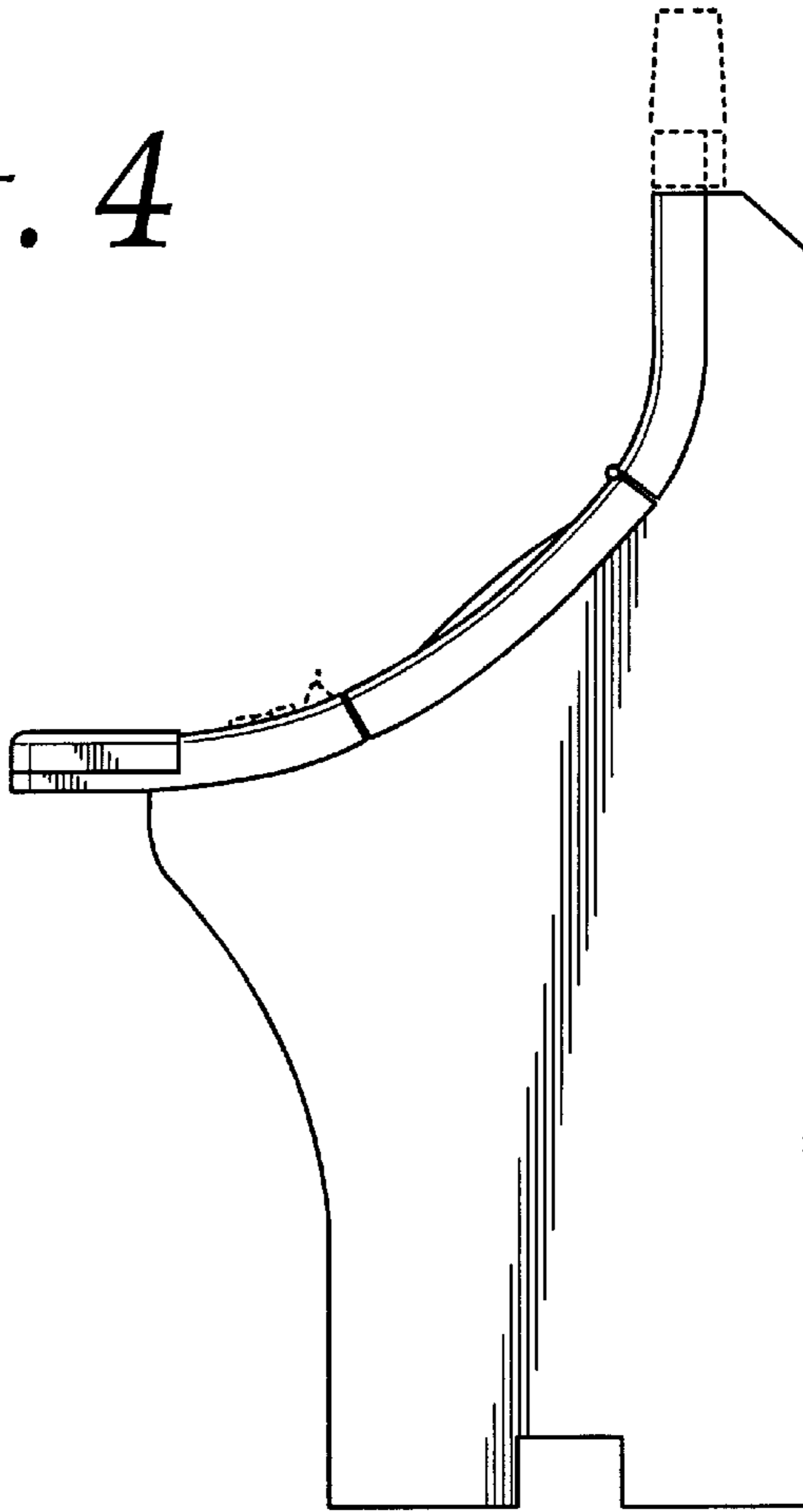


Fig. 5

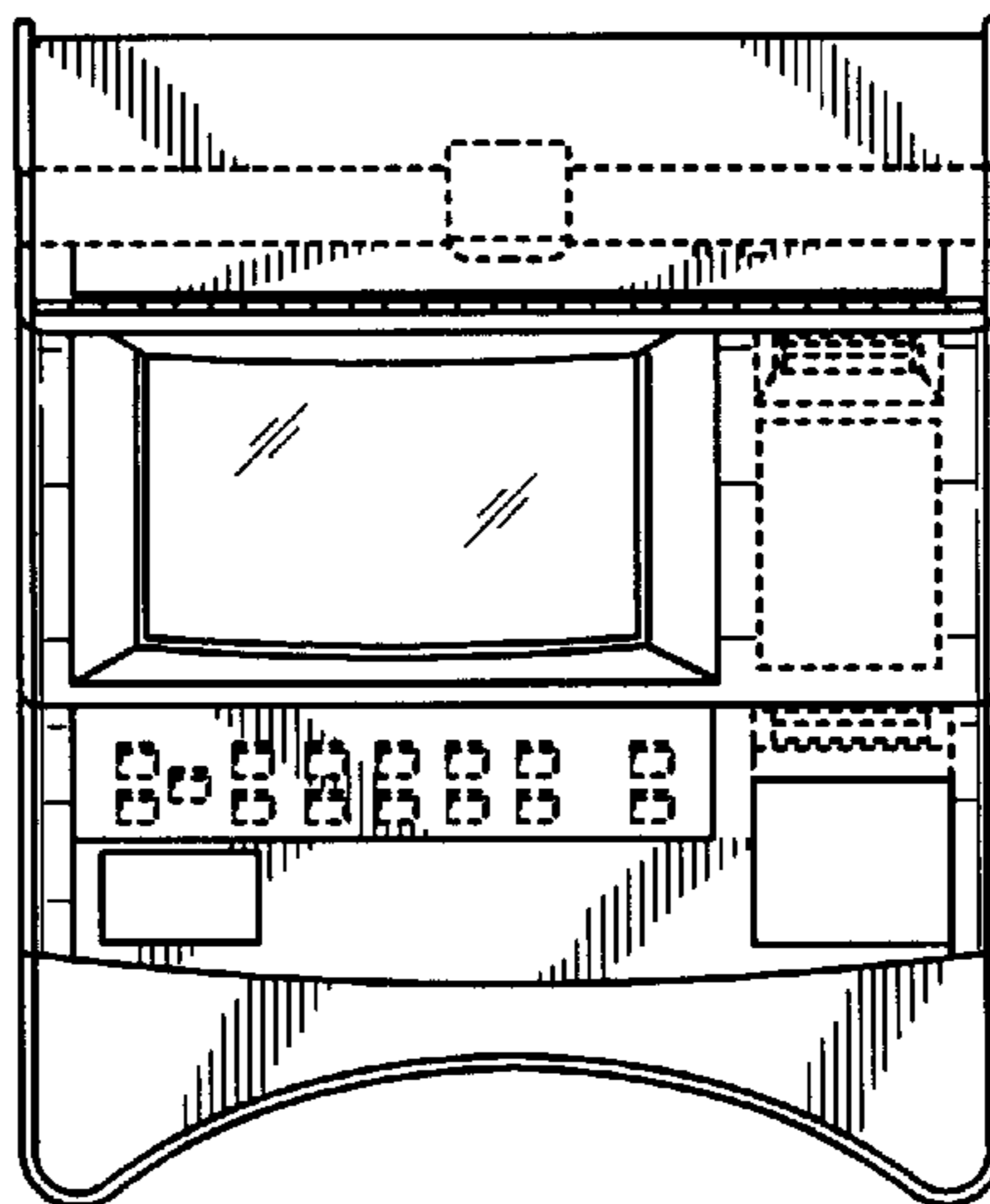


Fig. 6

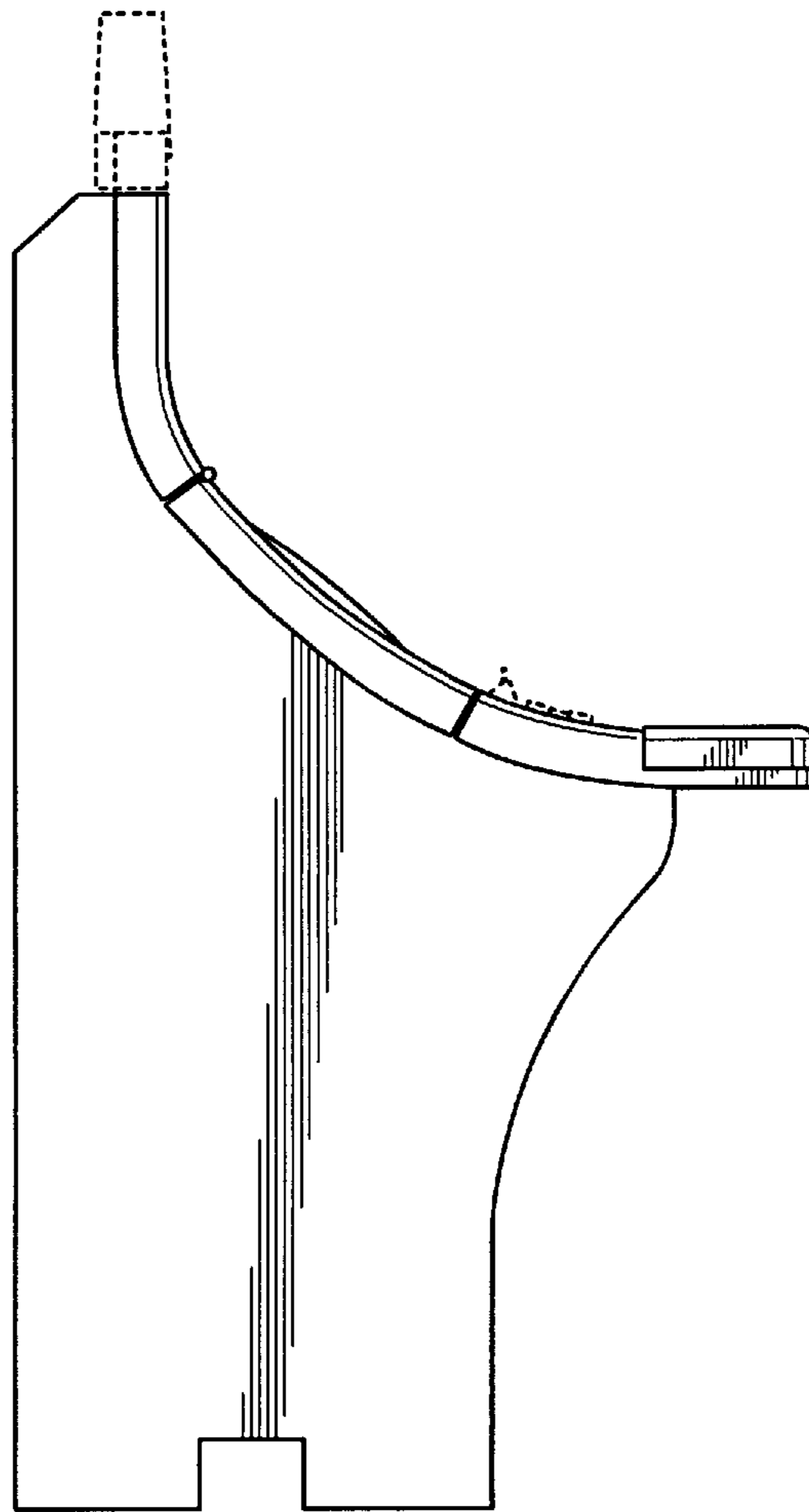


Fig. 7

