



US00D464375S

(12) **United States Design Patent**
Ingram et al.

(10) **Patent No.:** **US D464,375 S**

(45) **Date of Patent:** **** Oct. 15, 2002**

(54) **ROTARY CARD HOLDER**

(75) Inventors: **Jack Ingram**, Leamington Spa (GB);
Simon Richard Andrews, Moseley (GB)

(73) Assignee: **Rotadex Systems Limited**,
Birmingham (GB)

(**) Term: **14 Years**

(21) Appl. No.: **29/146,734**

(22) Filed: **Aug. 15, 2001**

(51) **LOC (7) Cl.** **19-02**

(52) **U.S. Cl.** **D19/76**

(58) **Field of Search** D19/65, 75, 76,
D19/78, 86, 95, 99, 100, 90; 40/124.01,
377, 378, 379; 211/50, 53, 58, 163, 164

(56) **References Cited**

U.S. PATENT DOCUMENTS

- D330,728 S * 11/1992 Liaw D19/75
- D365,367 S * 12/1995 Bell et al. D19/75
- D389,187 S * 1/1998 Gillespie D19/76
- D423,588 S * 4/2000 Koehneke et al. D19/76

OTHER PUBLICATIONS

Rolodex® Rotary File, item "B", ROL-RBC-600BK, Miller's Office Products catalog, © 1994, p. 261.*

Rolodex® Open Rotary Card File, item "A", F4-5024x; United States Postal Service Office Products catalog, Non-Scheduled items, © 1988, p. 201.*

* cited by examiner

Primary Examiner—Doris V. Coles

Assistant Examiner—Elizabeth A. Albert

(74) *Attorney, Agent, or Firm*—Michael Best & Friedrich LLP

(57) **CLAIM**

We claim the ornamental design for a rotary card holder, as shown and described.

DESCRIPTION

FIG. 1 is a first perspective view of the rotary card holder. FIG. 2 is a front view of the design.

FIG. 3 is a second perspective view of the design.

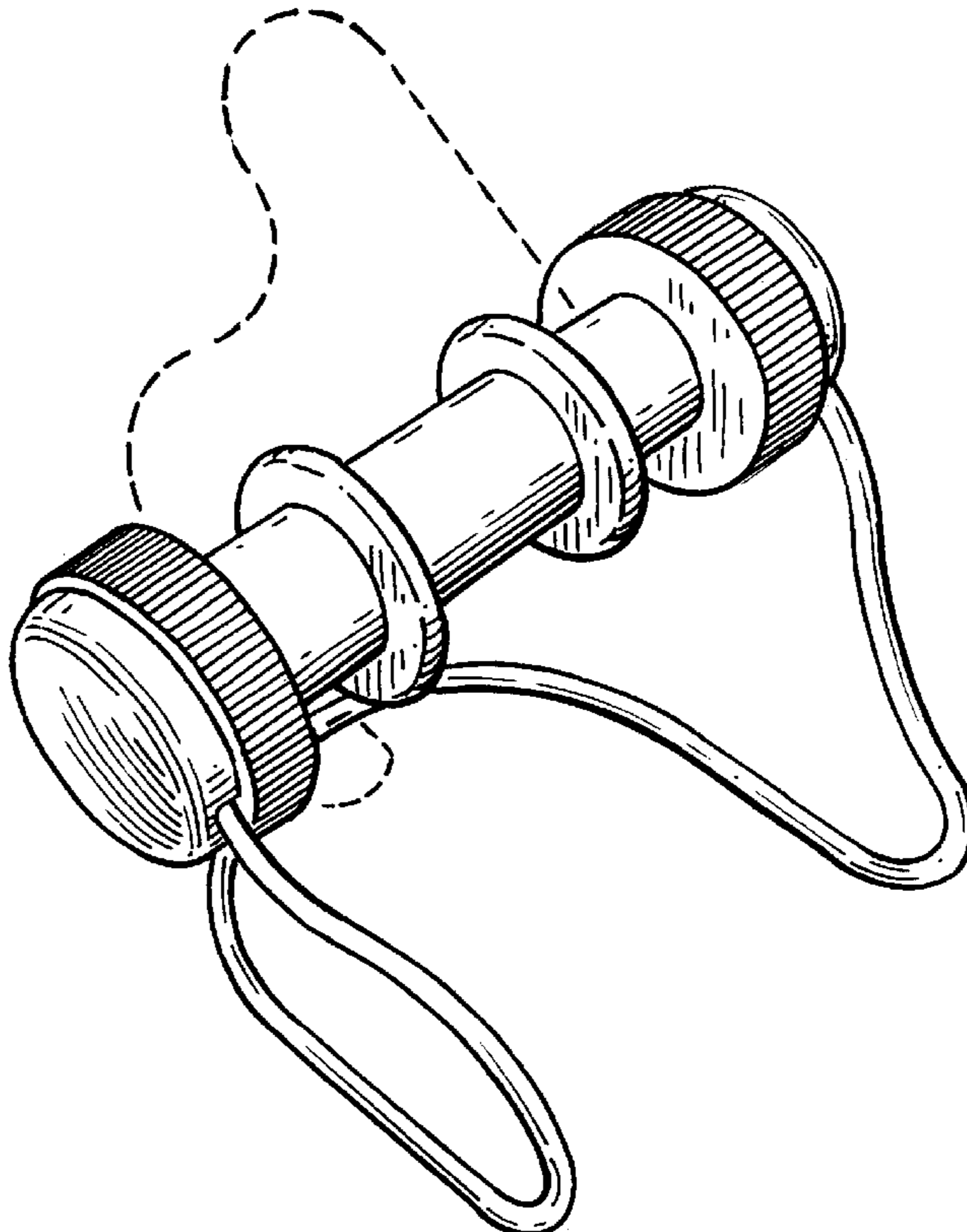
FIG. 4 is a third perspective view of the design.

FIG. 5 is a perspective view of the rotary card holder substantially identical to that of FIG. 1, except that the broken line showing of the divider has been removed for clarity; and,

FIG. 6 is a perspective view of the rotary card holder substantially identical to that of FIG. 4, except that the broken line showings of the divider and foot have been removed for clarity.

The broken line showing of the environment is for illustrative purposes only and forms no part of the claimed design.

1 Claim, 6 Drawing Sheets



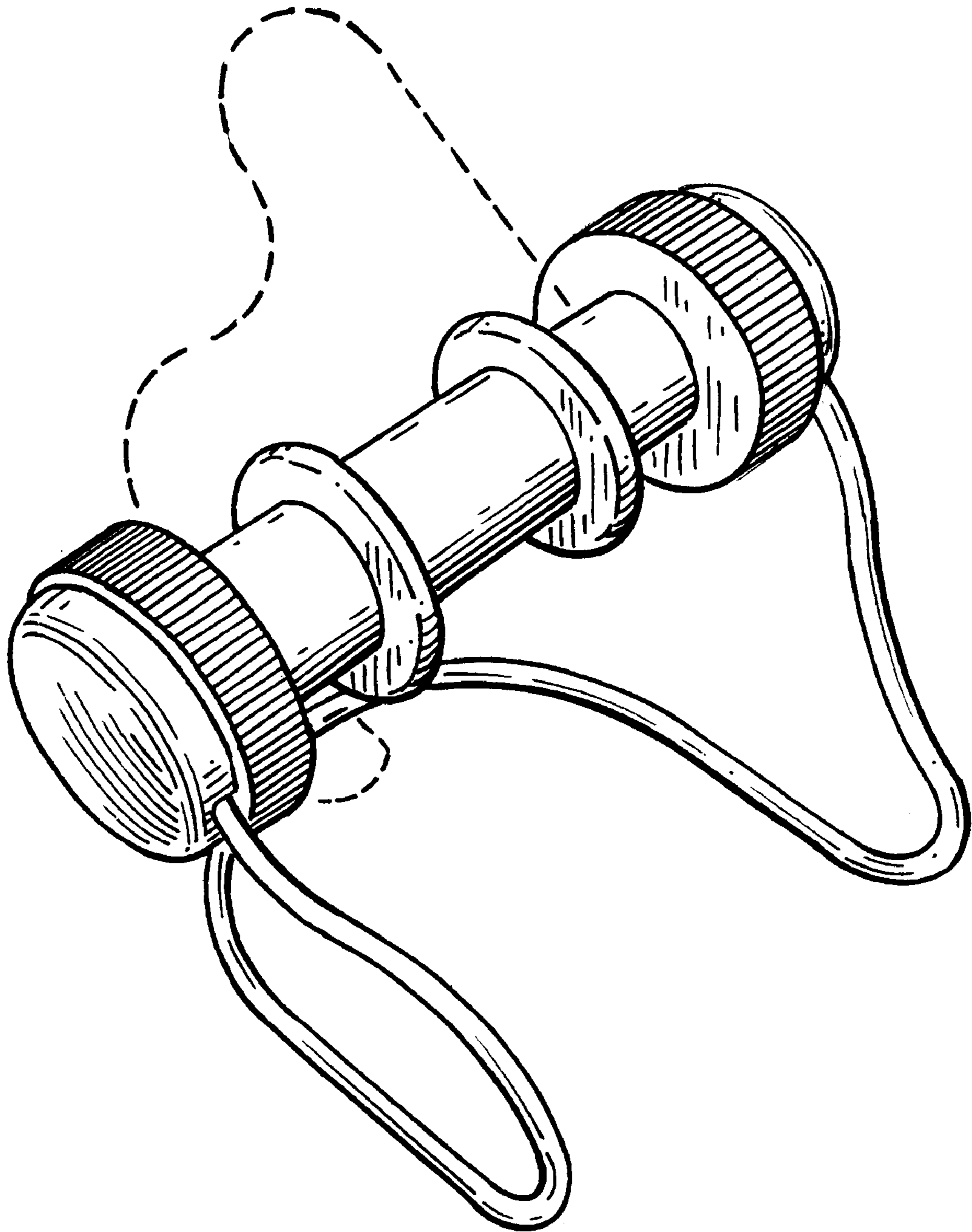


Fig. 1

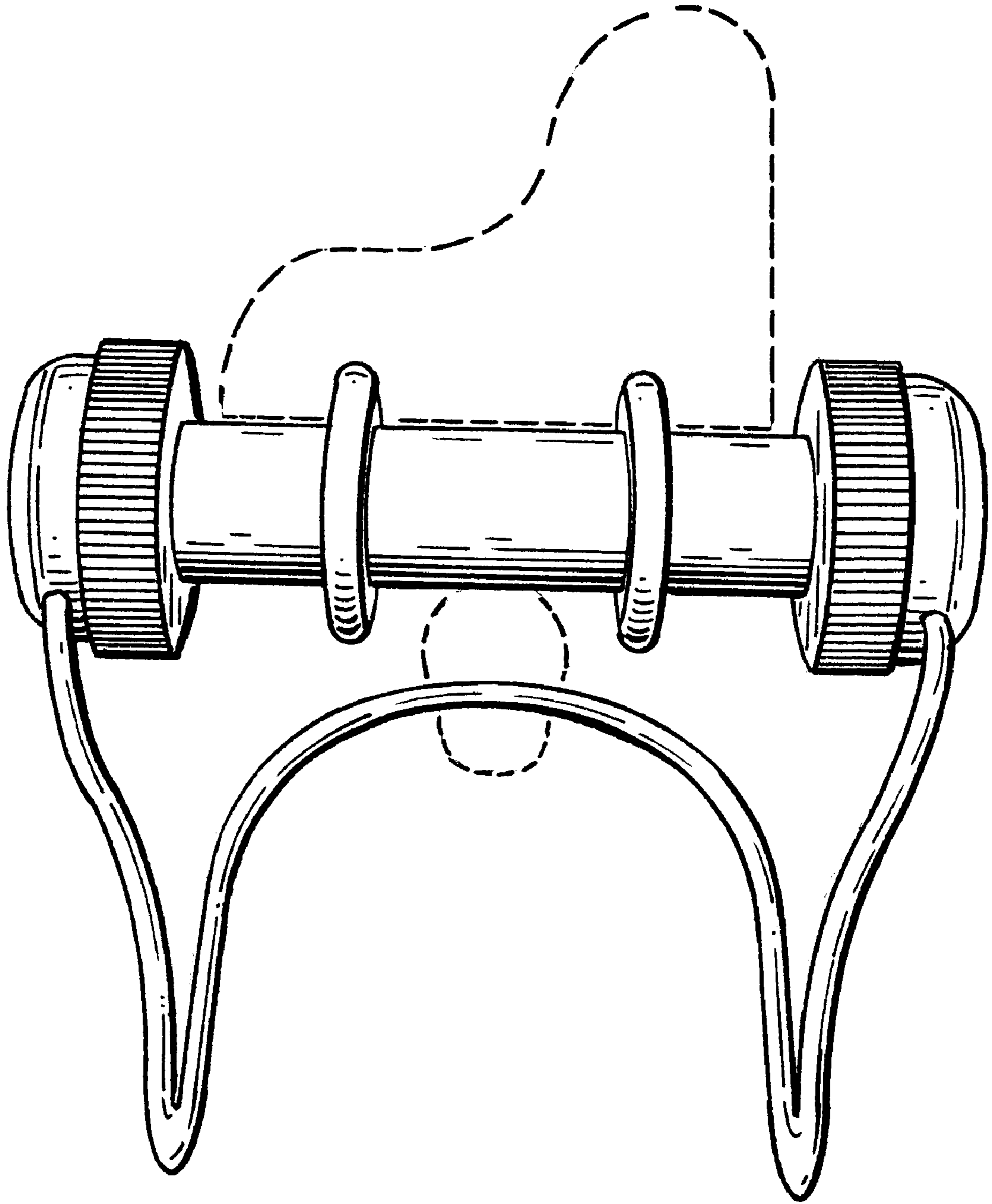


Fig. 2.

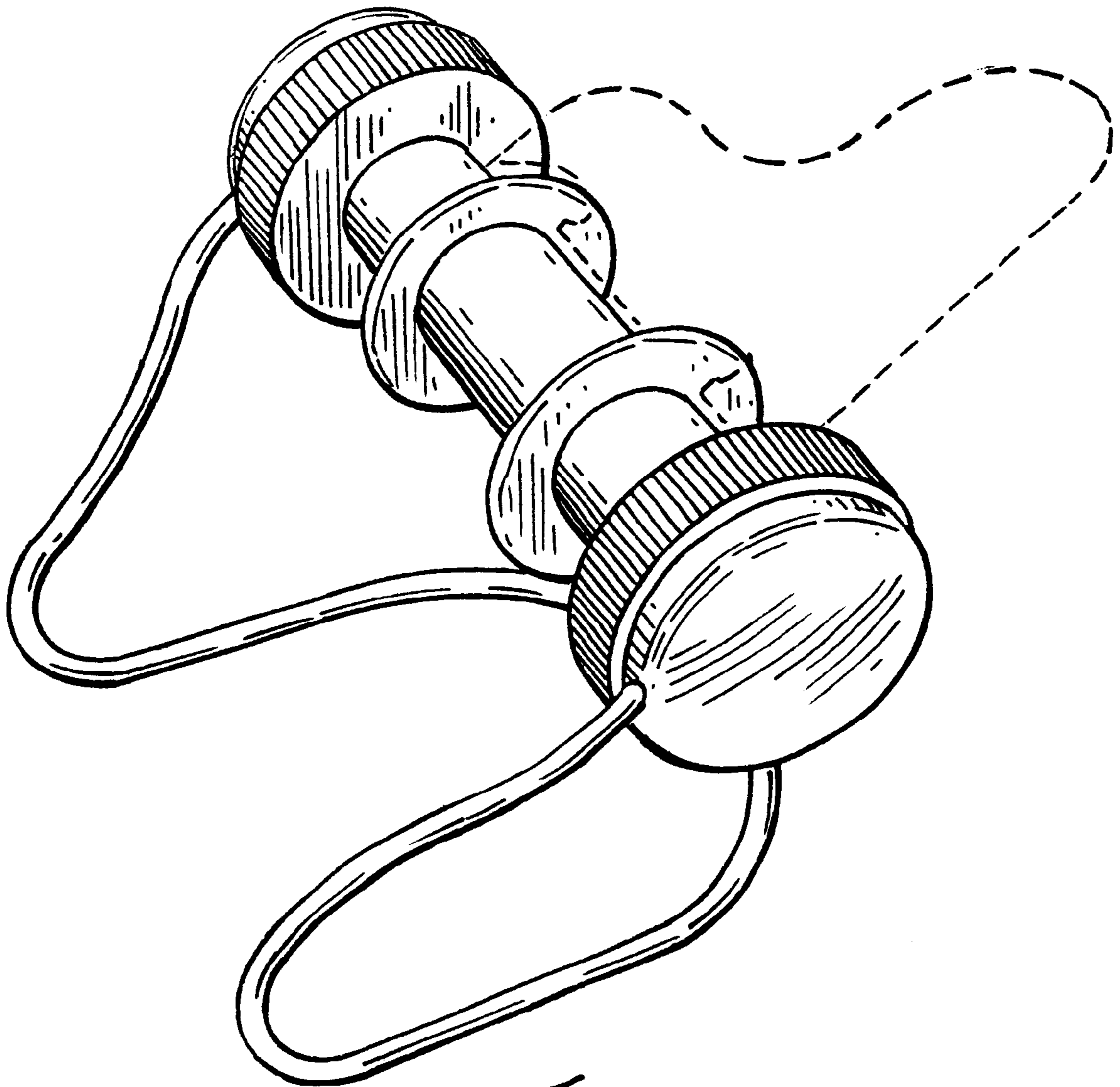


Fig. 3

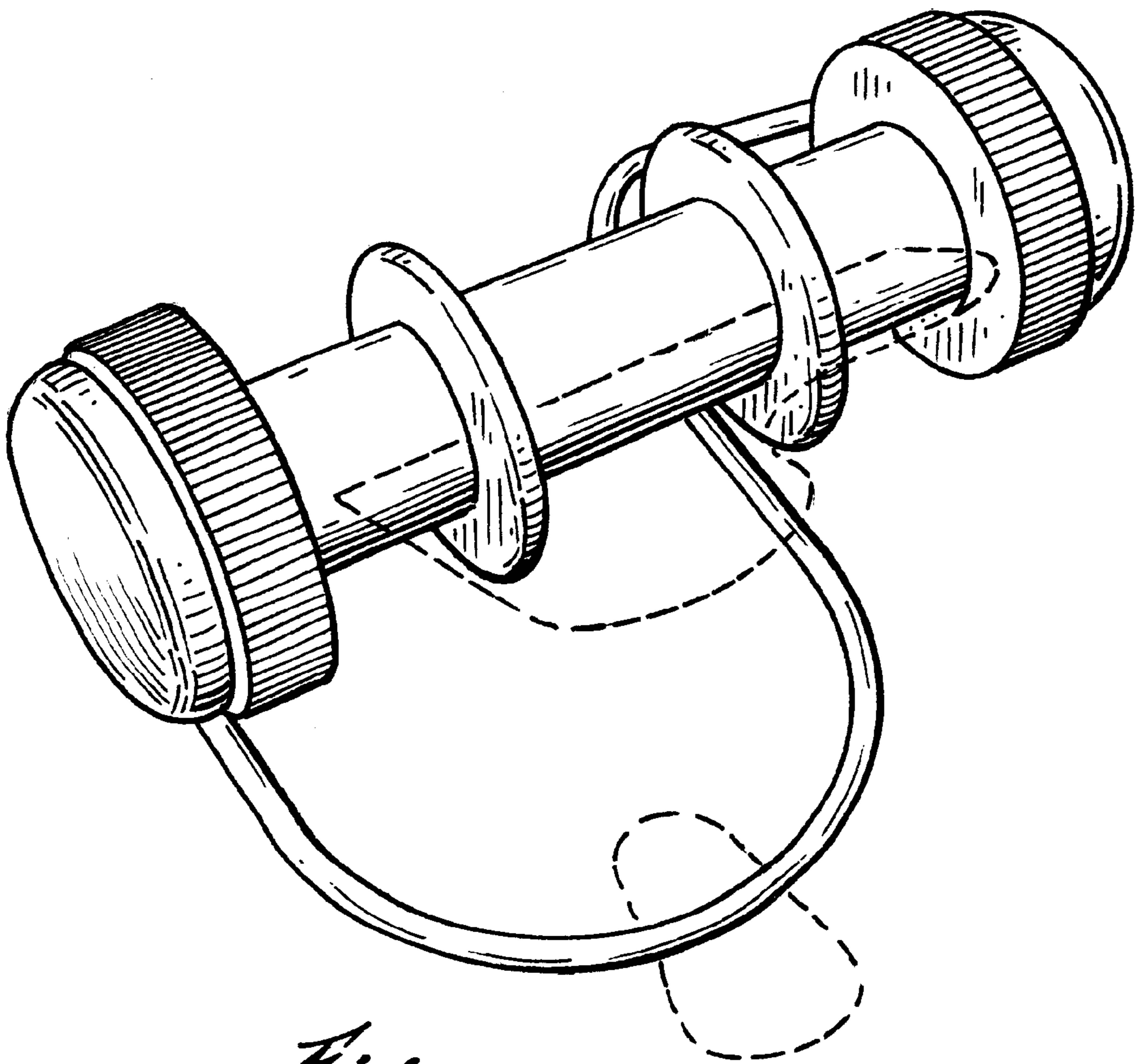


Fig. 4

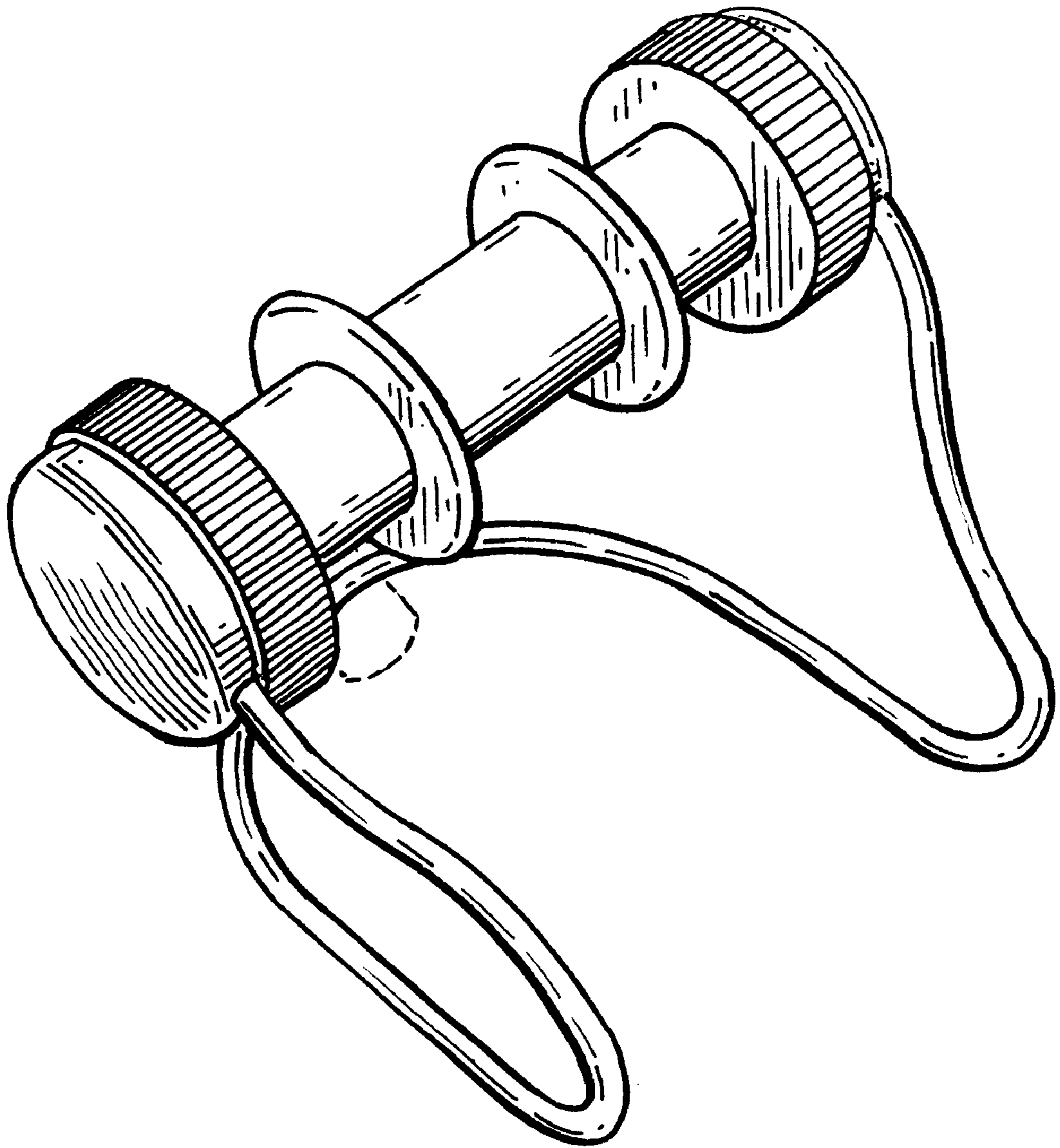


Fig. 5

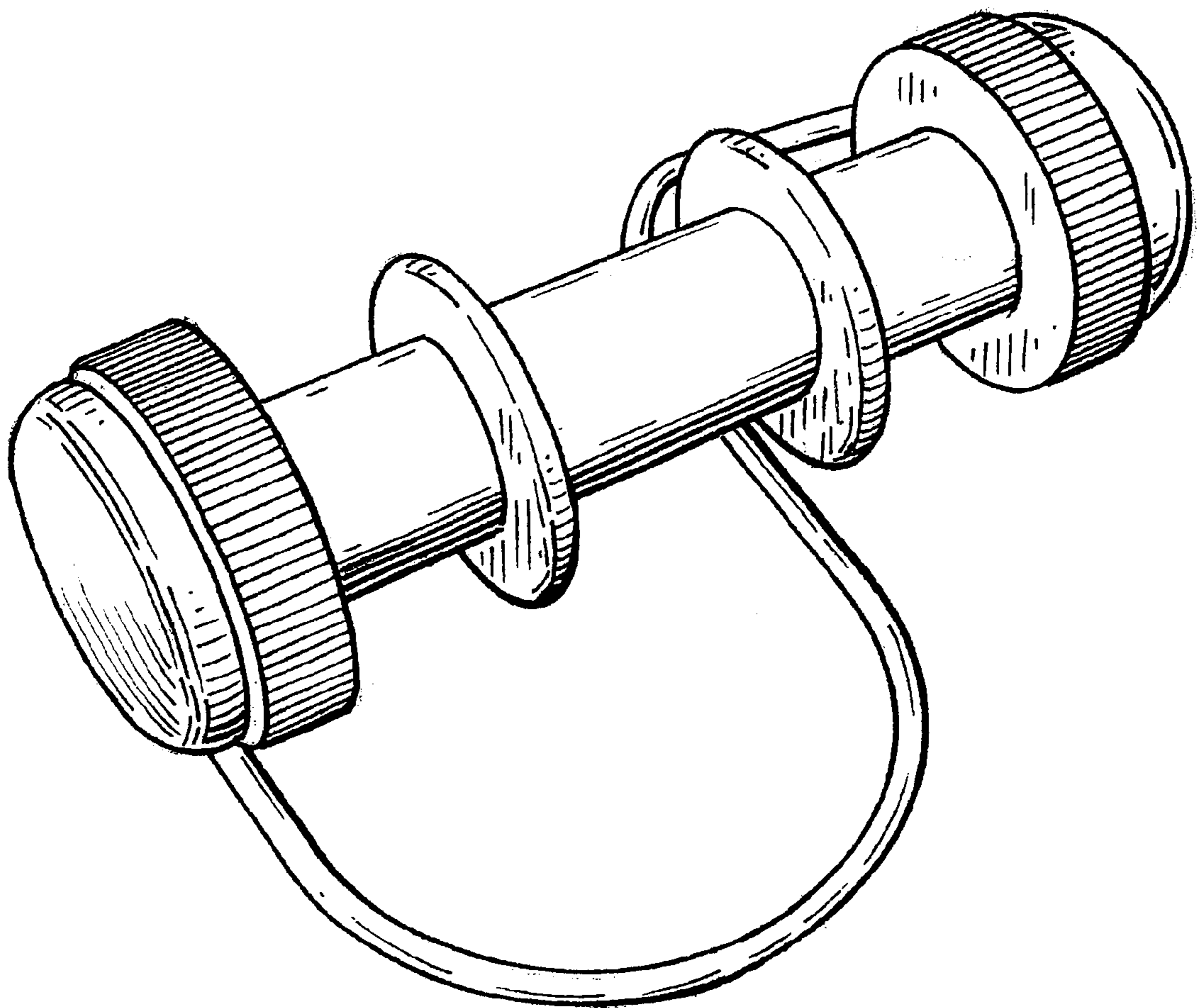


Fig. 6

UNITED STATES PATENT AND TRADEMARK OFFICE
CERTIFICATE OF CORRECTION

PATENT NO. : Des. 464,375 S
DATED : October 15, 2002
INVENTOR(S) : Jack Ingram and Simon Richard Andrews

Page 1 of 1

It is certified that error appears in the above-identified patent and that said Letters Patent is hereby corrected as shown below:

Title page,

Please add the following:

-- [30], **Foreign Priority Application Data**, United Kingdom 2099670
02/20/2001 --

Signed and Sealed this

Twenty-fifth Day of February, 2003

A handwritten signature in black ink, appearing to read "James E. Rogan", with a horizontal line drawn underneath it.

JAMES E. ROGAN
Director of the United States Patent and Trademark Office