



US00D464373S

(12) **United States Design Patent**
Hwang et al.

(10) **Patent No.:** **US D464,373 S**

(45) **Date of Patent:** **** Oct. 15, 2002**

(54) **PRINTER ACCESS DOOR**

(75) Inventors: **Peter G. Hwang**, Vancouver, WA (US);
Le Pham, Vancouver, WA (US)

(73) Assignee: **Hewlett-Packard Company**, Palo Alto,
CA (US)

(**) Term: **14 Years**

(21) Appl. No.: **29/151,898**

(22) Filed: **Oct. 26, 2001**

(51) **LOC (7) Cl.** **18-02**

(52) **U.S. Cl.** **D18/56; D18/50**

(58) **Field of Search** D18/56, 50, 54,
D18/55, 36-39; 400/613, 613.1-613.4,
690.1-690.4, 691-694; D14/462-470

(56) **References Cited**

U.S. PATENT DOCUMENTS

- D370,690 S * 6/1996 Pangburn et al. D18/56
- D379,469 S * 5/1997 Nobata D18/50
- D413,921 S * 9/1999 Gassett et al. D18/56
- D435,063 S * 12/2000 Gerstein et al. D18/56

- D442,625 S * 5/2001 Chiba et al. D18/56
- D444,170 S * 6/2001 Ichi et al. D18/54

* cited by examiner

Primary Examiner—Cathy Anne MacCormac

(74) *Attorney, Agent, or Firm*—Christopher B. Miller

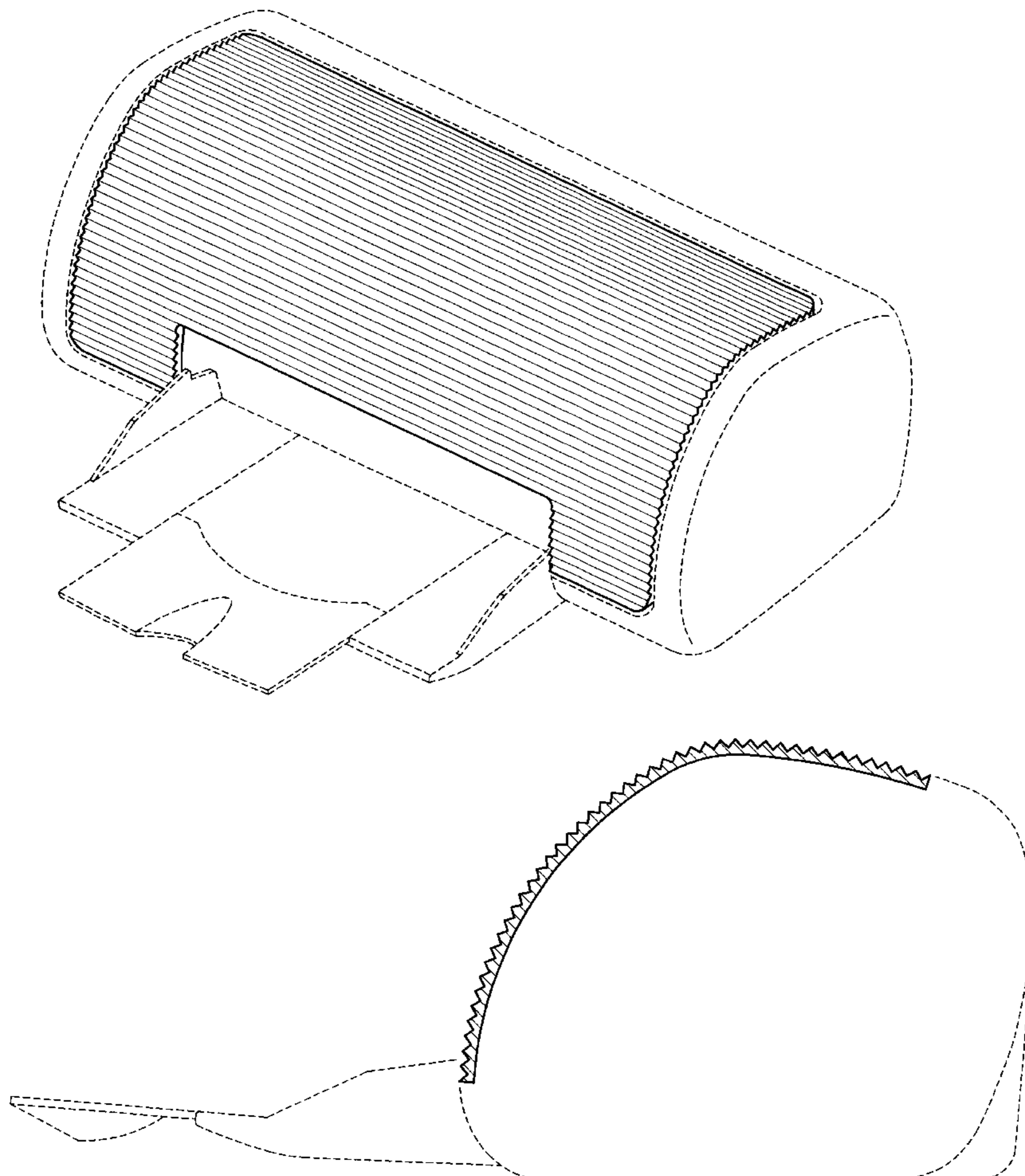
(57) **CLAIM**

The ornamental design for a printer access door, substantially as shown and described.

DESCRIPTION

FIG. 1 is a perspective view of a printer access door in accordance with the present invention;
 FIG. 2 is a top plan view thereof;
 FIG. 3 is a front elevational view thereof;
 FIG. 4 is a rear elevational view thereof; and,
 FIG. 5 is a right side elevational view thereof, in cross-section, to more clearly illustrate the shape of the ribbing on the printer access door. FIG. 5 is also a mirror image of a left side elevational view thereof, in cross-section, to more clearly illustrate the shape of the ribbing on the printer access door.

1 Claim, 4 Drawing Sheets



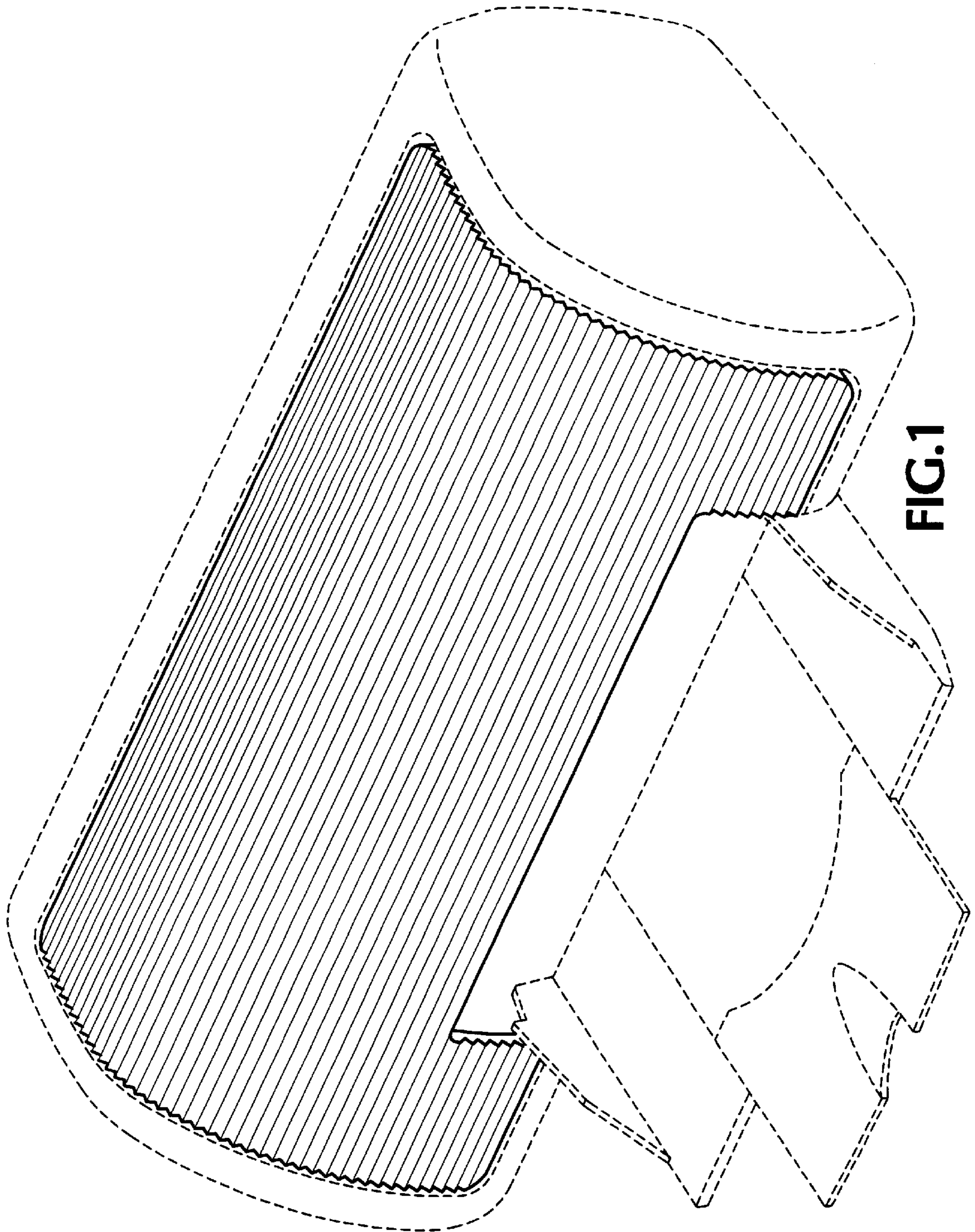
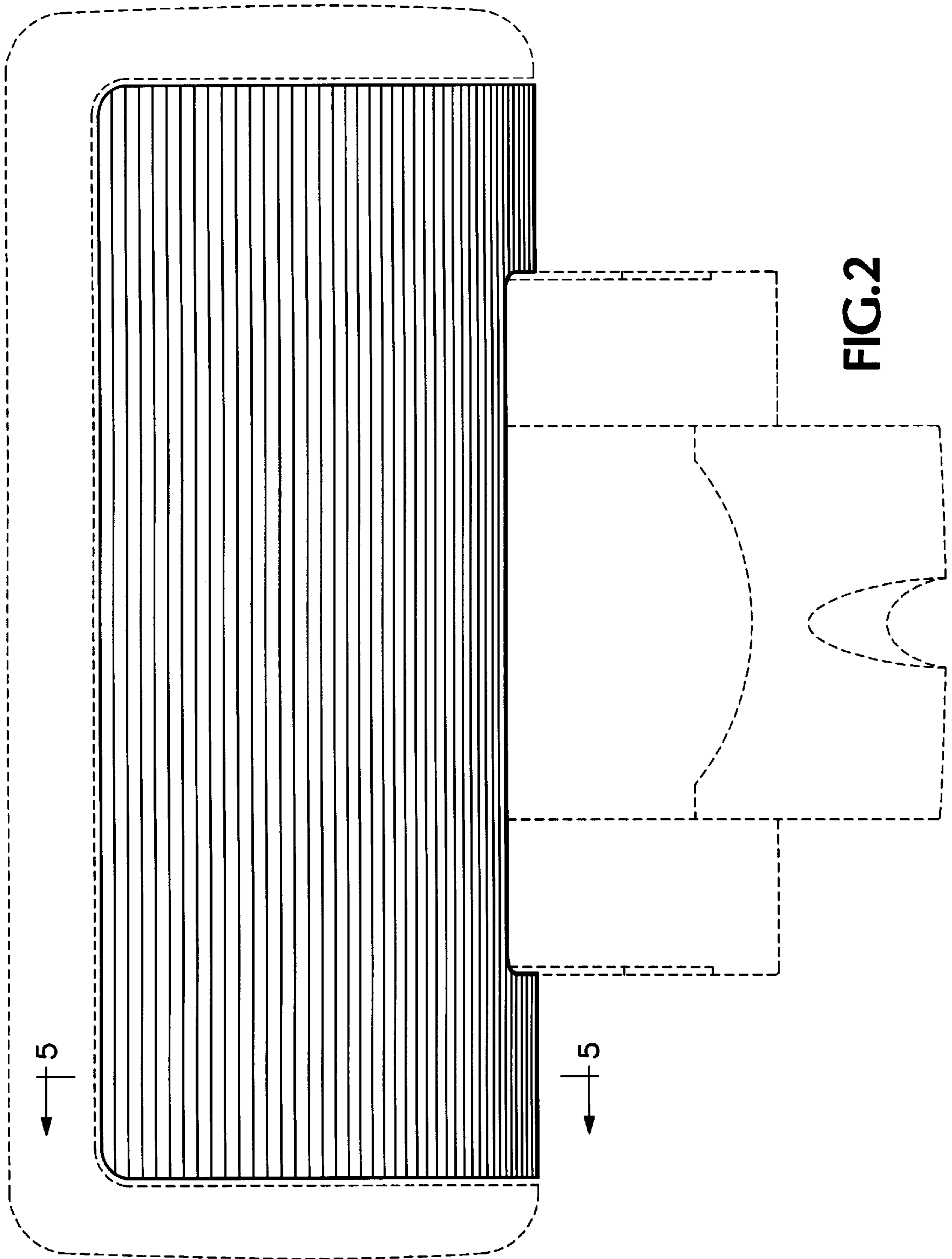


FIG.1



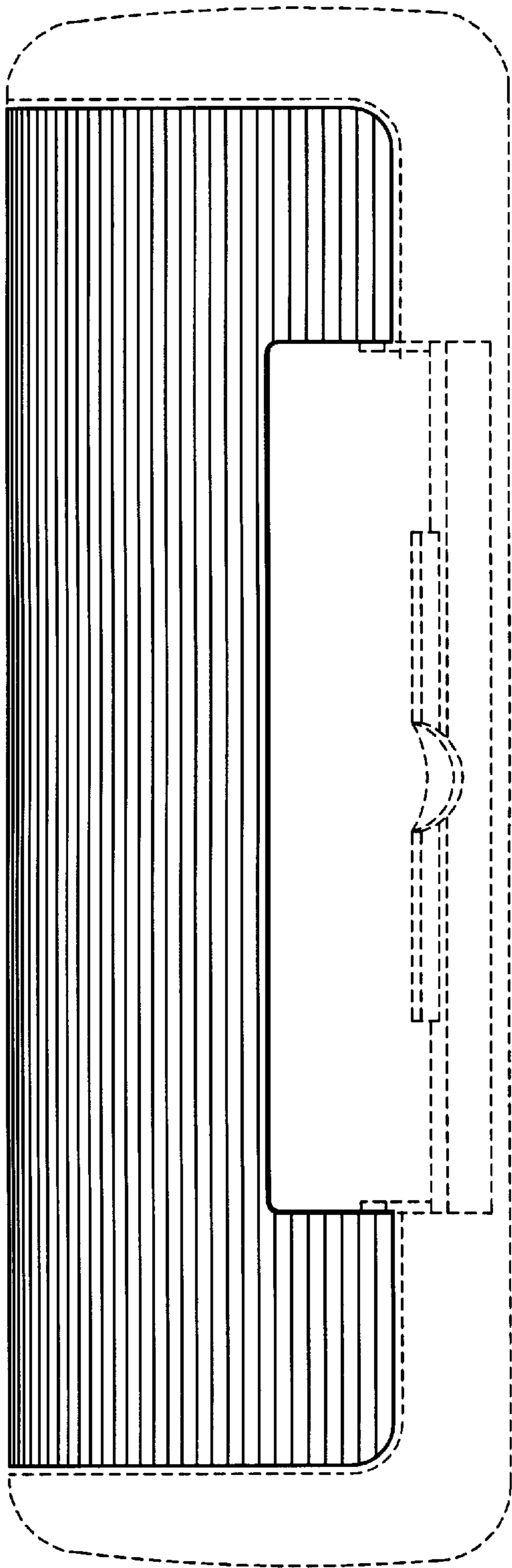


FIG. 3

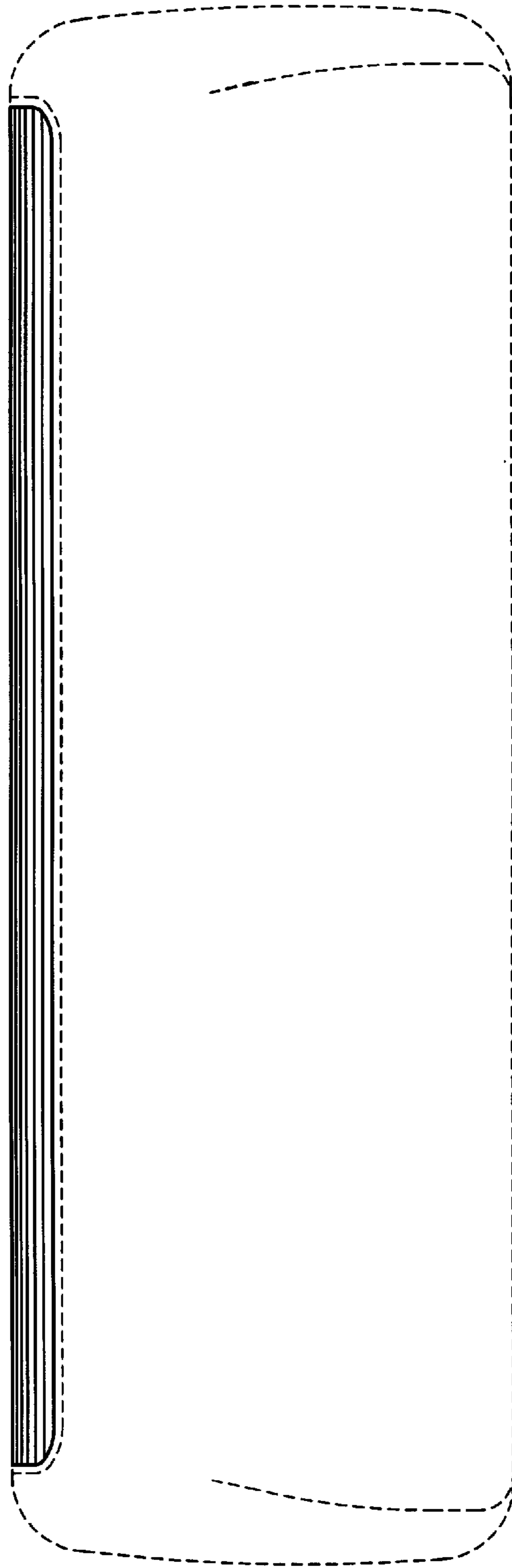


FIG. 4

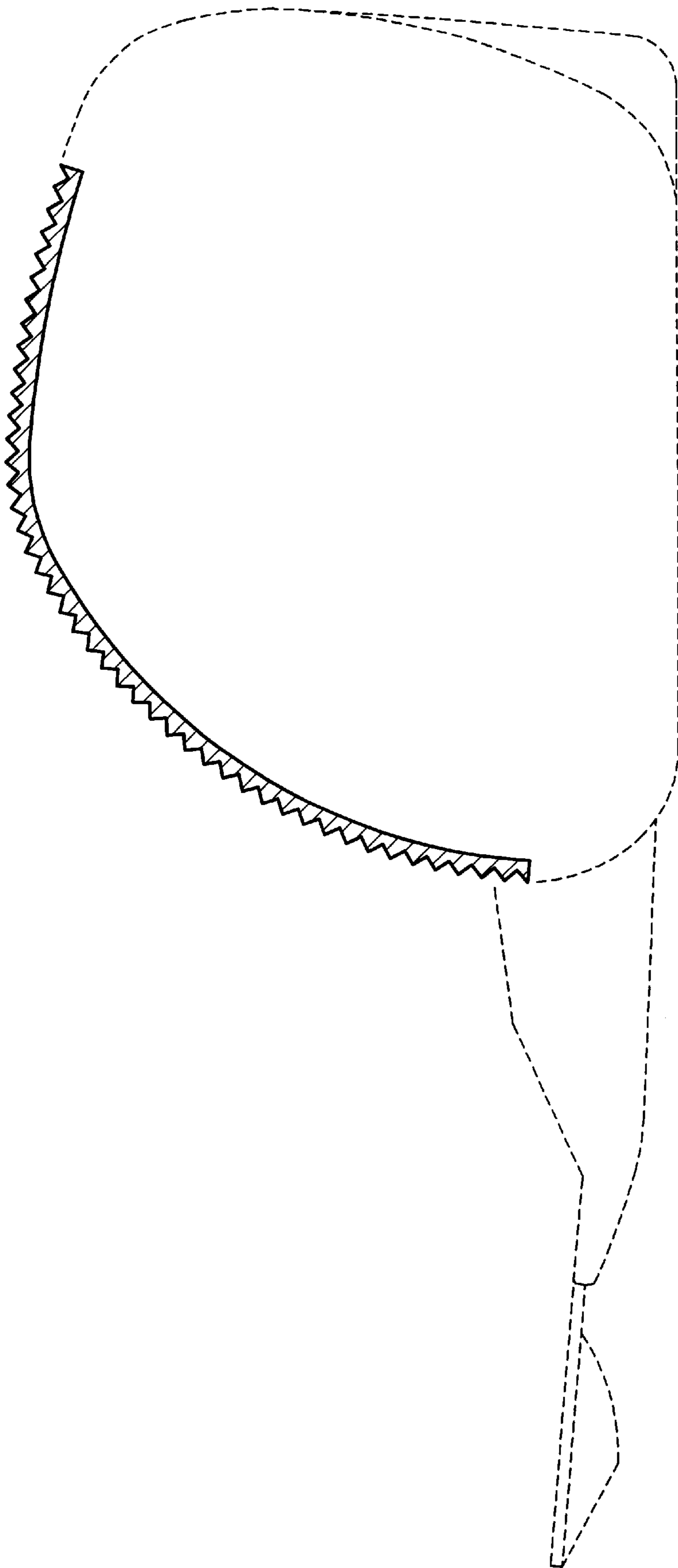


FIG.5