



US00D464372S

(12) **United States Design Patent**
Yamada et al.

(10) **Patent No.:** **US D464,372 S**

(45) **Date of Patent:** **** Oct. 15, 2002**

(54) **INK CARTRIDGE**

(74) *Attorney, Agent, or Firm*—Oliff & Berridge, PLC

(75) Inventors: **Manabu Yamada, Suwa (JP);**
Chiyoshige Nakazawa, Suwa (JP)

(57) **CLAIM**

The ornamental design for an ink cartridge, as shown and described.

(73) Assignee: **Seiko Epson Corporation, Tokyo (JP)**

(**) Term: **14 Years**

DESCRIPTION

(21) Appl. No.: **29/141,587**

FIG. 1 is a top view of an ink cartridge according to a first embodiment of the inventive design;
FIG. 2 is a bottom view thereof;
FIG. 3 is a left-side view thereof;
FIG. 4 is a right-side view thereof;
FIG. 5 is a front view thereof;
FIG. 6 is a rear view thereof;
FIG. 7 is a cross-sectional view thereof, taken along the lines 7—7 of FIG. 2;
FIG. 8 is a cross-sectional view thereof, taken along the lines 8—8 of FIG. 2;
FIG. 9 is a cross-sectional view thereof, taken along the lines 9—9 of FIG. 6;
FIG. 10 is a cross-sectional view thereof, taken along the lines 10—10 of FIG. 4;
FIG. 11 is a cross-sectional view thereof, taken along the lines 11—11 of FIG. 4;
FIG. 12 is a cross-sectional view thereof, taken along the lines 12—12 of FIG. 4;
FIG. 13 is a cross-sectional view thereof, taken along the lines 13—13 of FIG. 4; and,
FIG. 14 is a perspective view thereof.

(22) Filed: **May 10, 2001**

(30) **Foreign Application Priority Data**

Nov. 10, 2000 (JP) 2000-032239

(51) **LOC (7) Cl.** **18-02**

(52) **U.S. Cl.** **D18/56; 347/86**

(58) **Field of Search** **D18/43, 56; 347/86,**
347/87

(56) **References Cited**

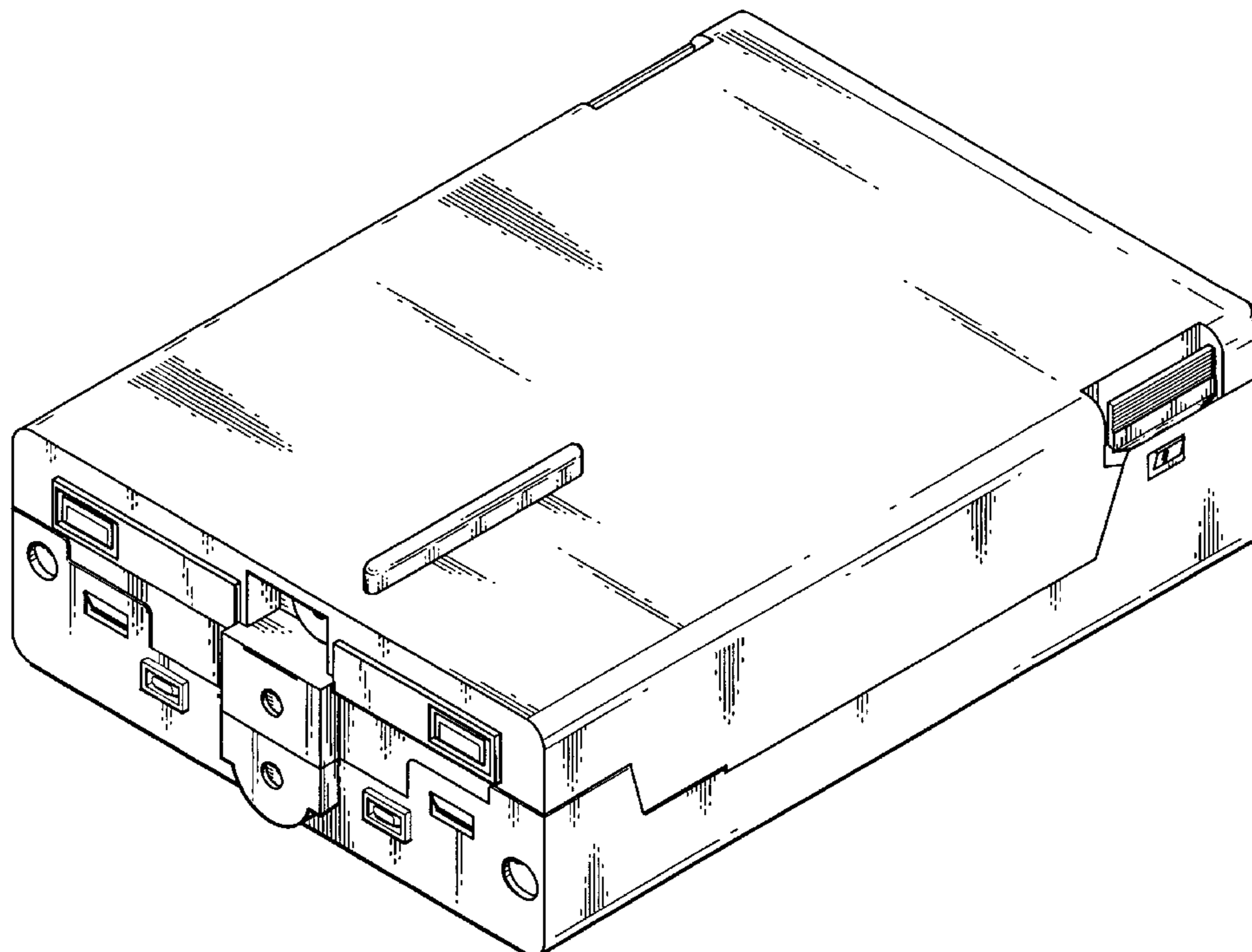
U.S. PATENT DOCUMENTS

D331,939 S	*	12/1992	Ujita	D18/12
D334,403 S	*	3/1993	Kawakami	D18/56
D419,592 S	*	1/2000	Nakazawa et al.	D18/56
6,053,606 A	*	4/2000	Yamaguchi et al.	347/86
D447,169 S	*	8/2001	Okubo et al.	D18/56
D447,513 S	*	9/2001	Miyazawa et al.	D18/56
D449,642 S	*	10/2001	Yamada et al.	D18/56

* cited by examiner

Primary Examiner—Cathy Anne MacCormac

1 Claim, 7 Drawing Sheets



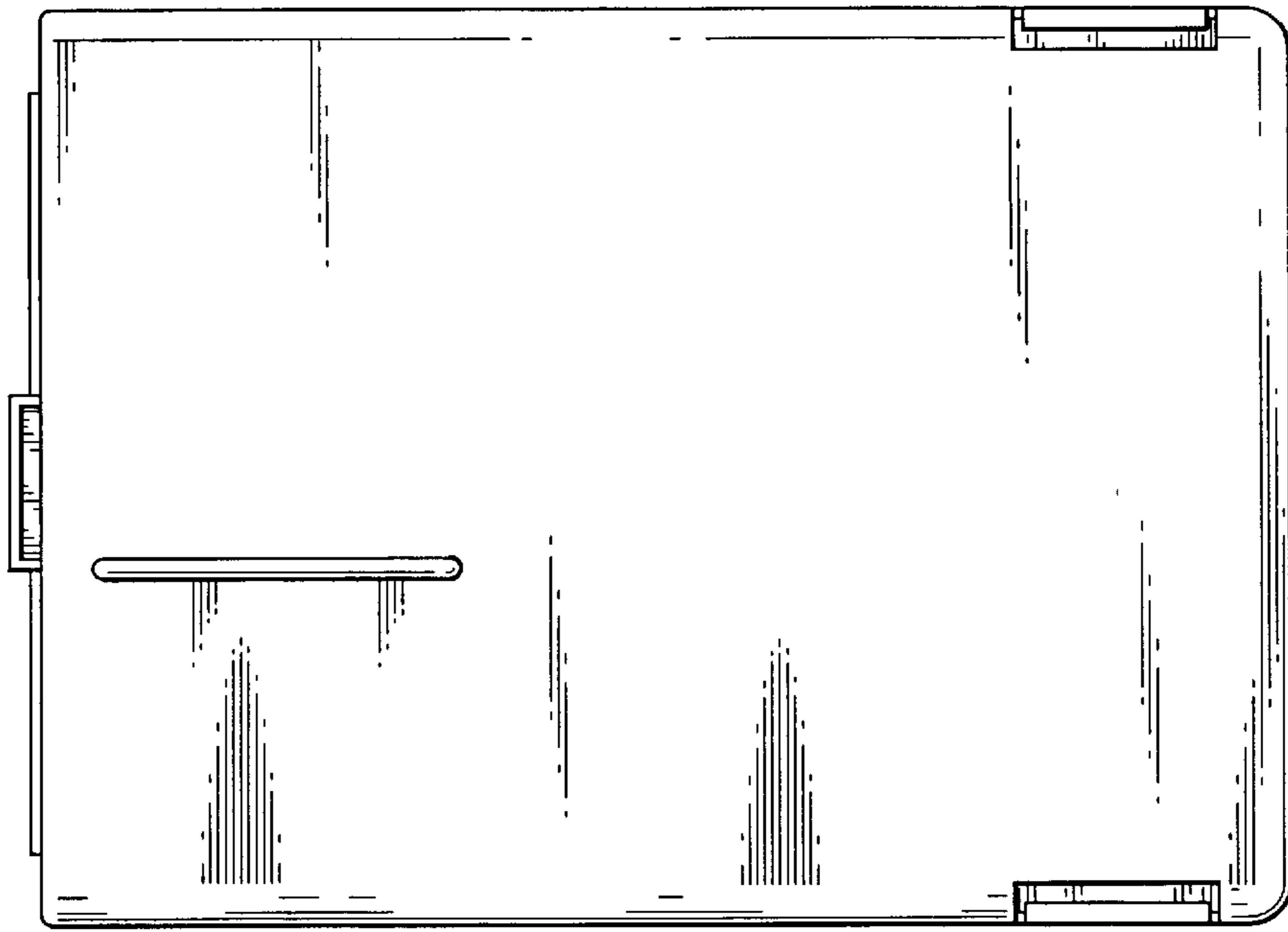


Fig. 1

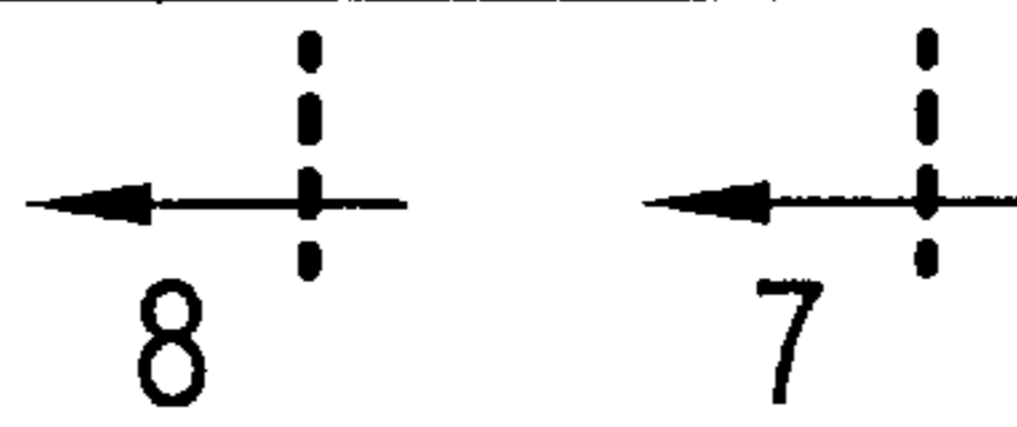
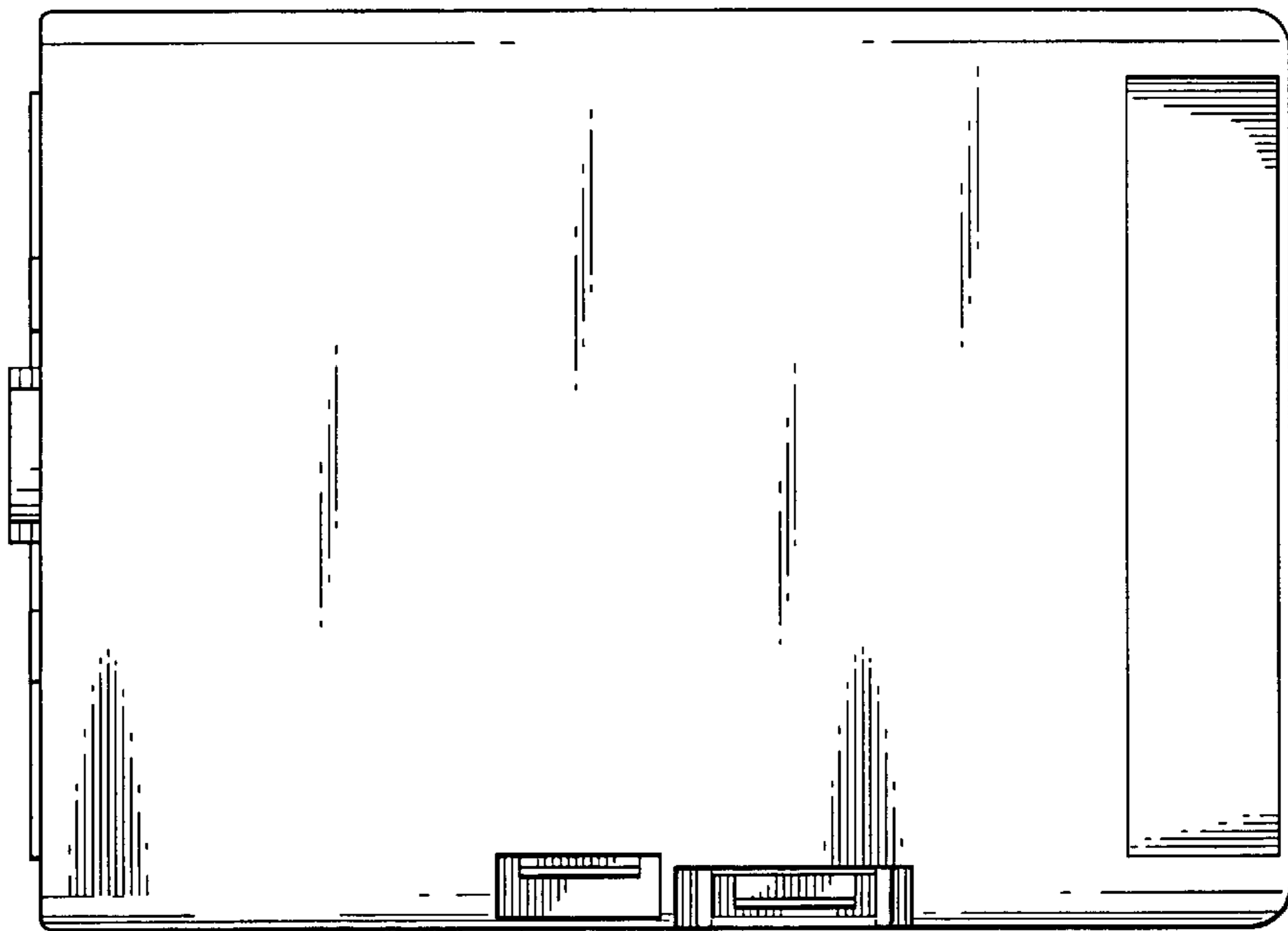
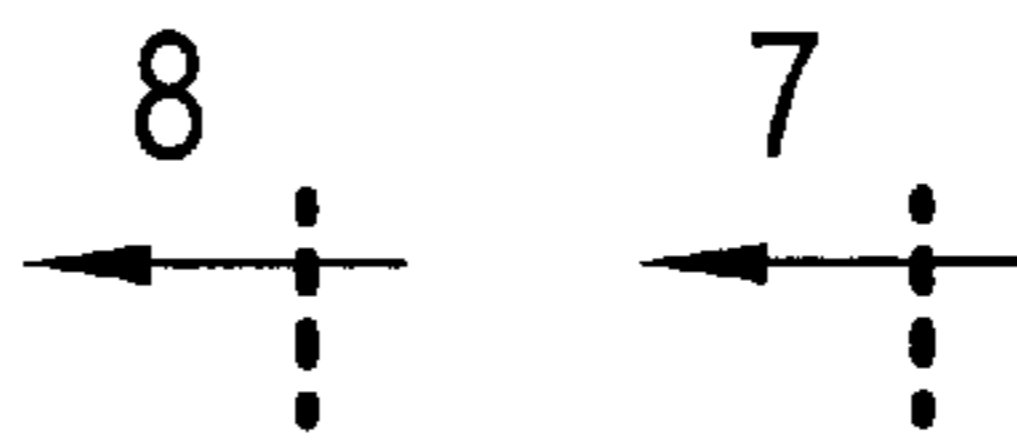


Fig. 2

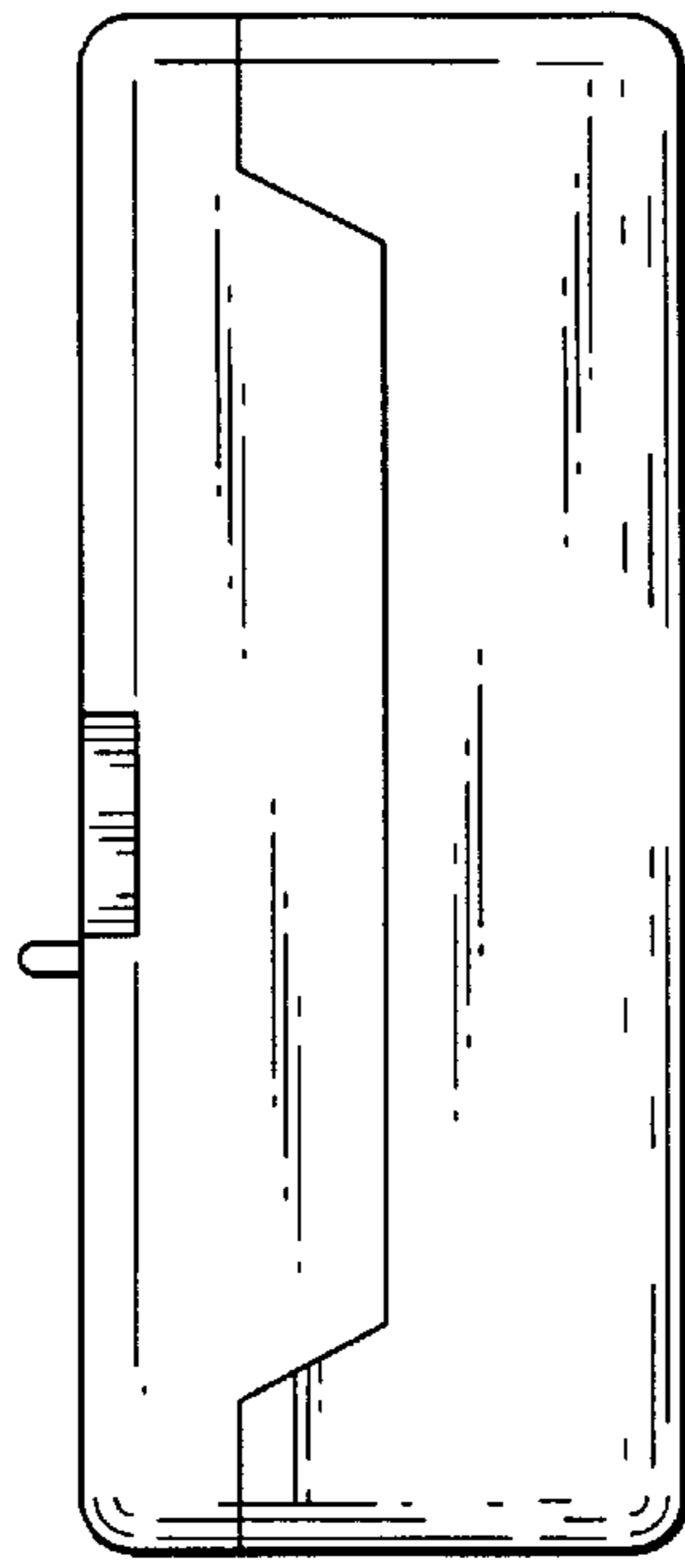


Fig. 3

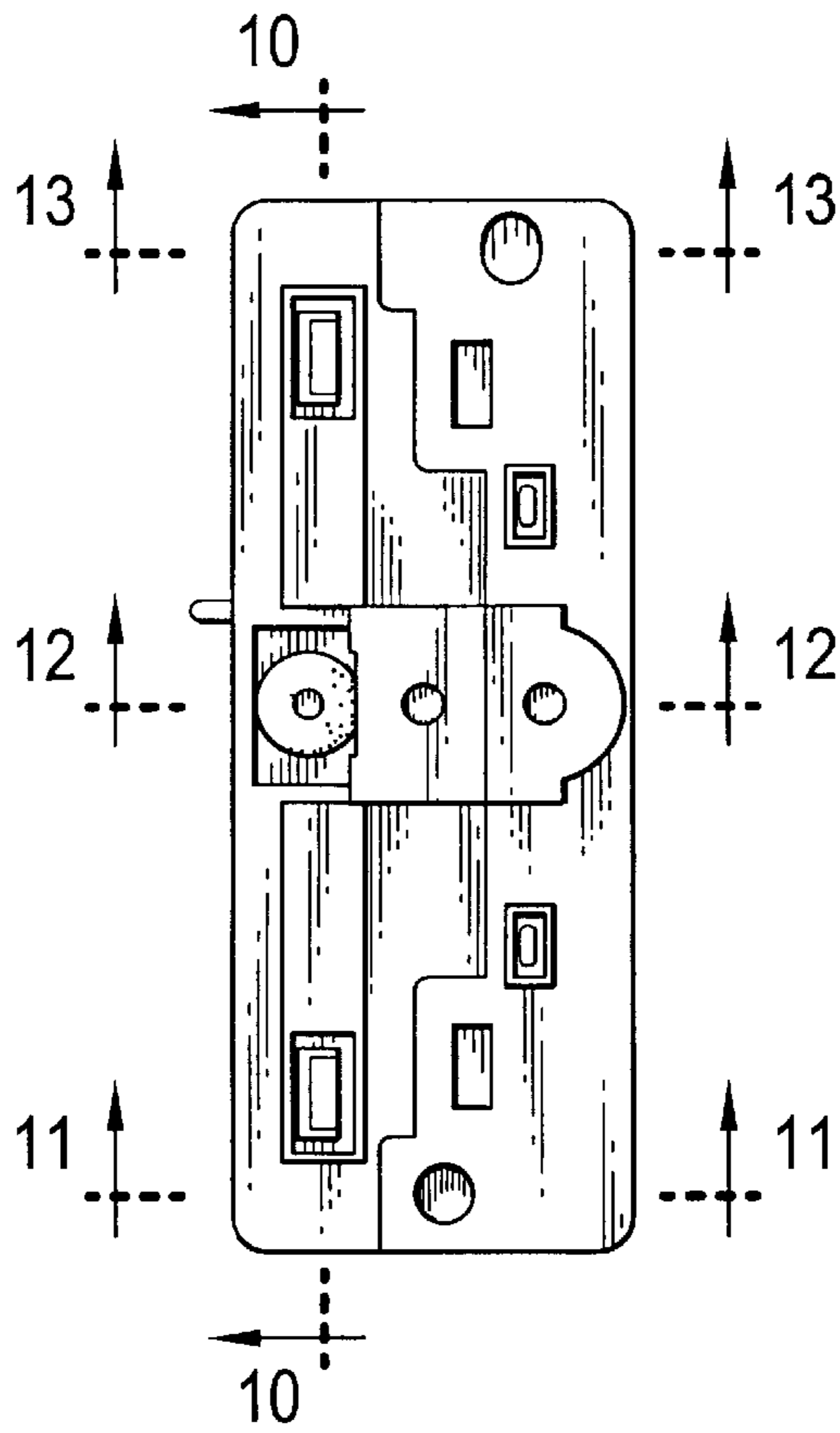


Fig. 4

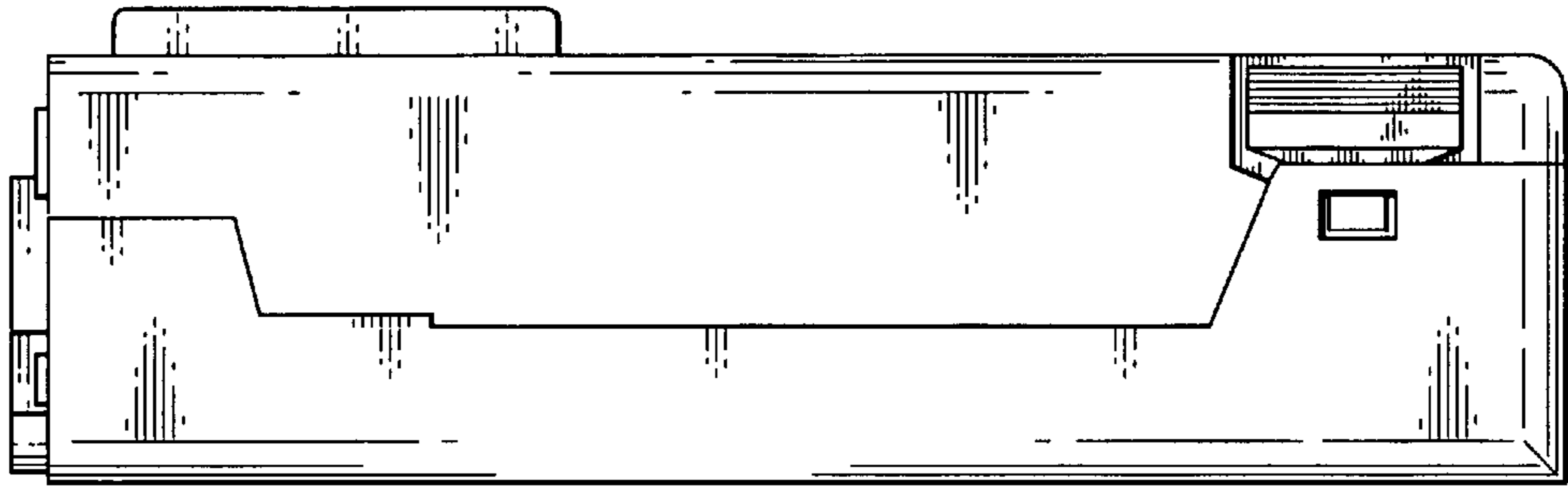


Fig. 5

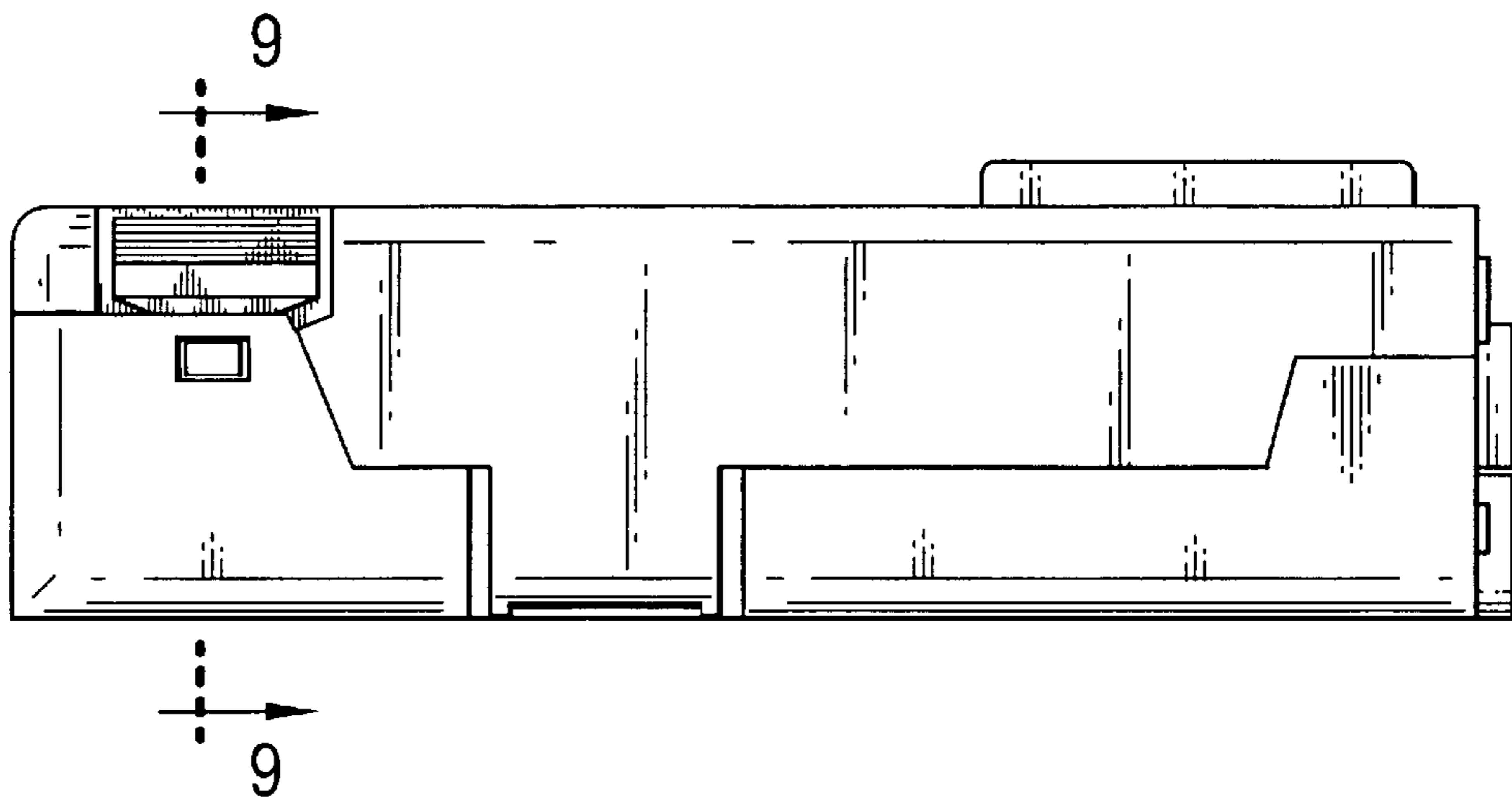


Fig. 6

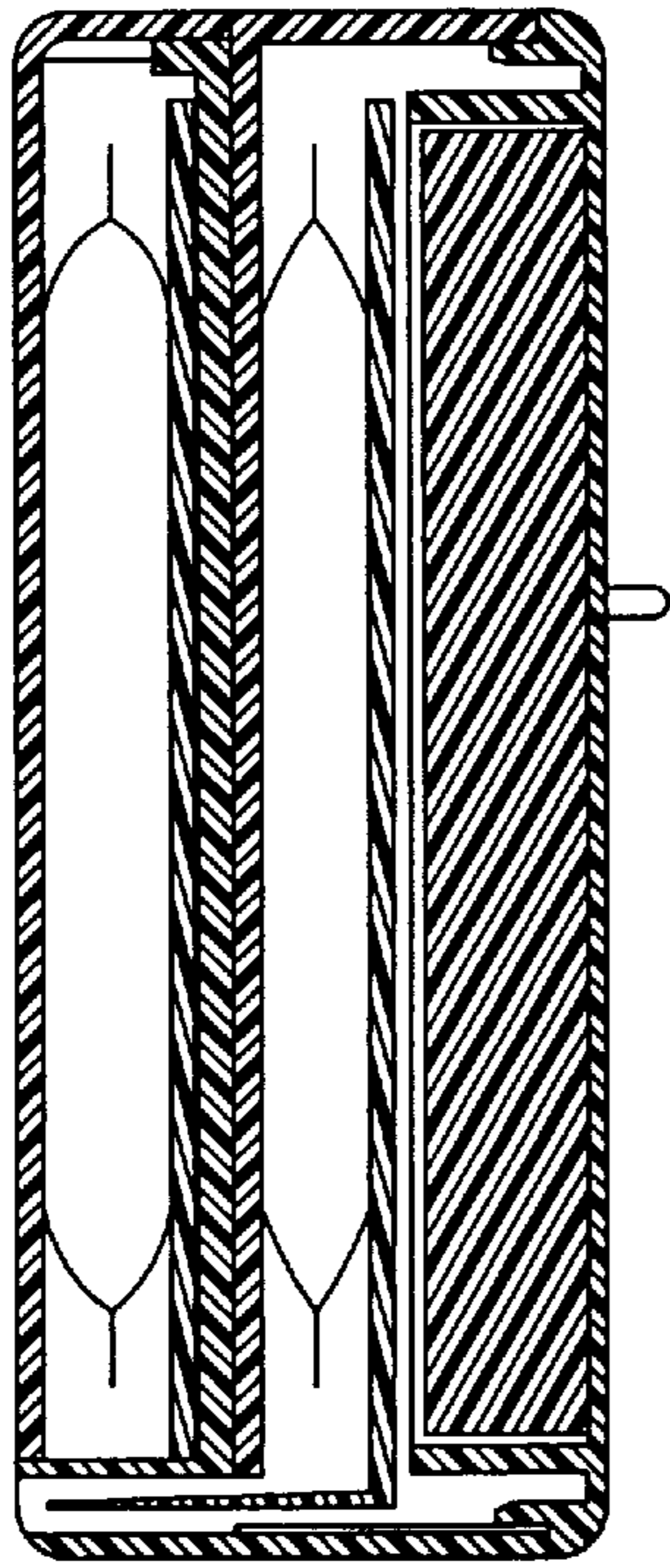


Fig. 7

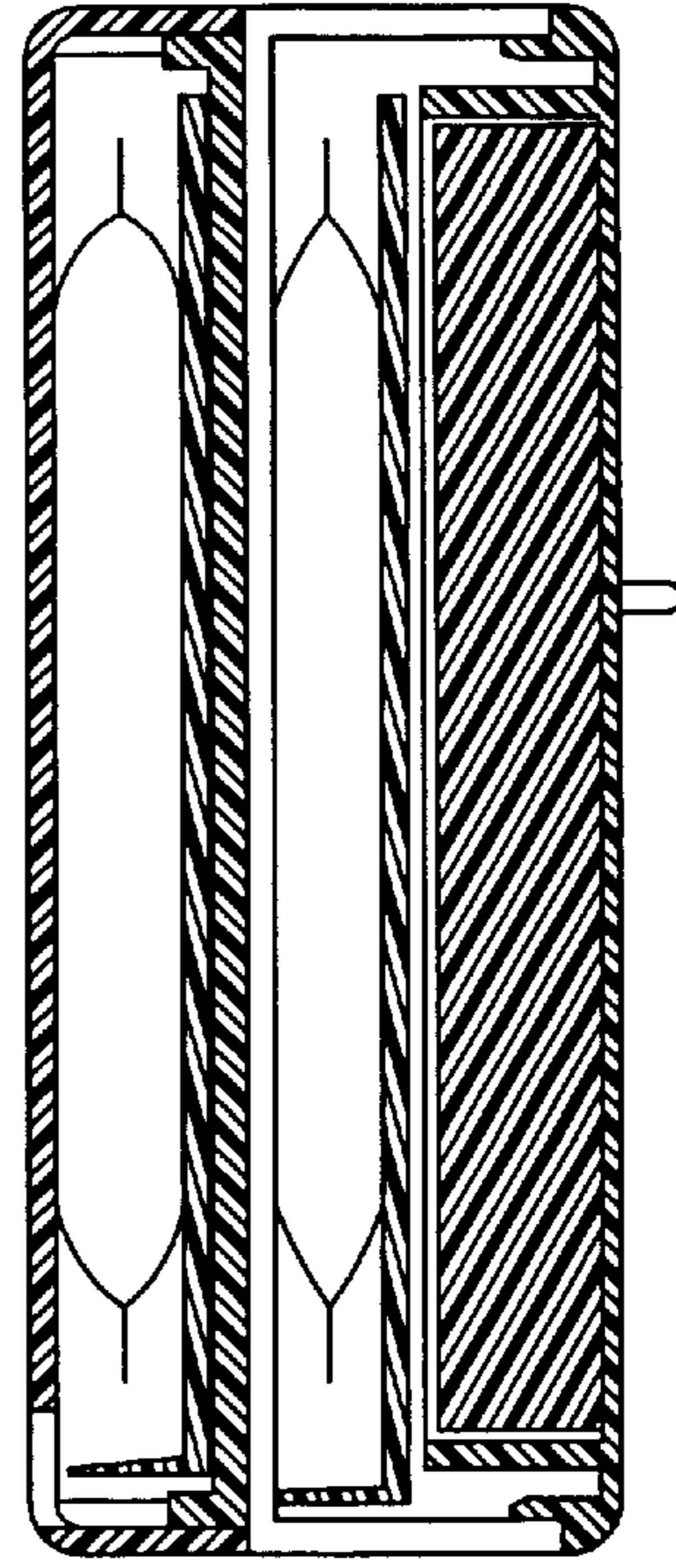


Fig. 8

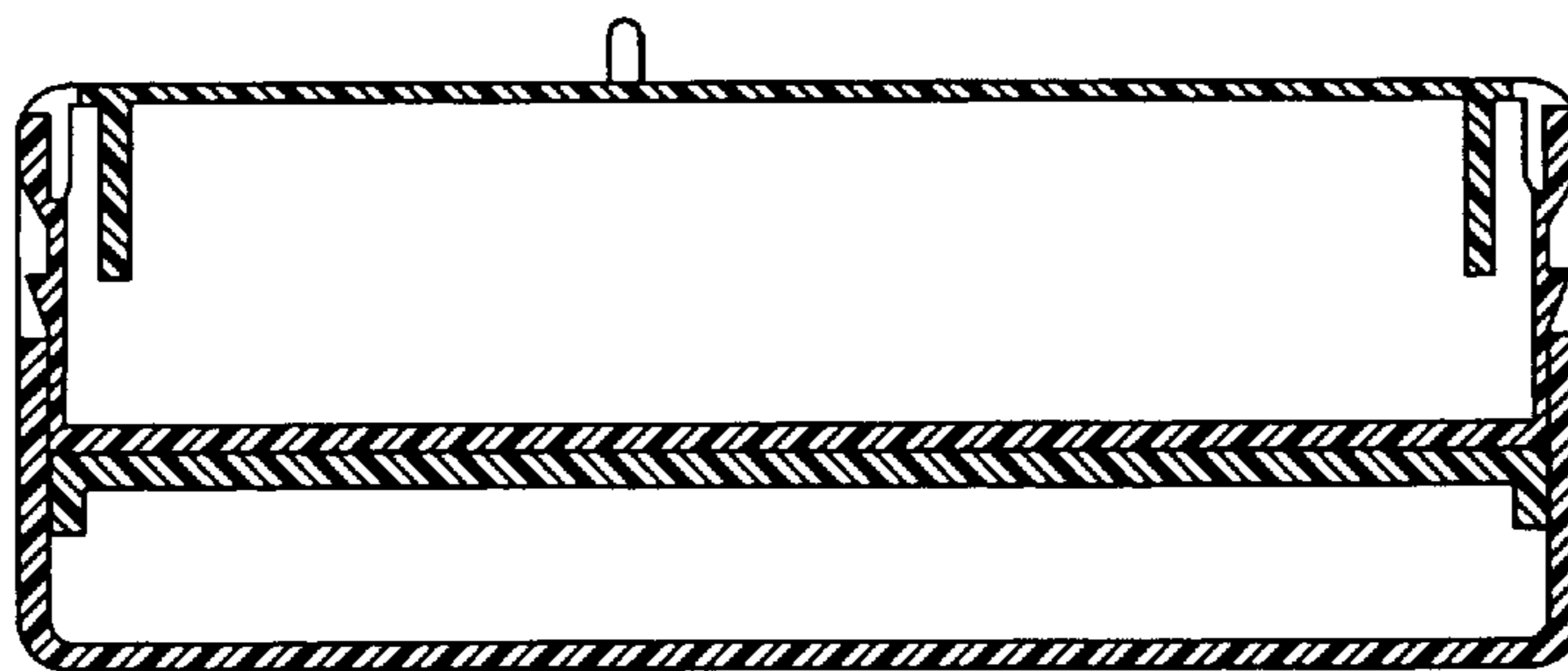


Fig. 9

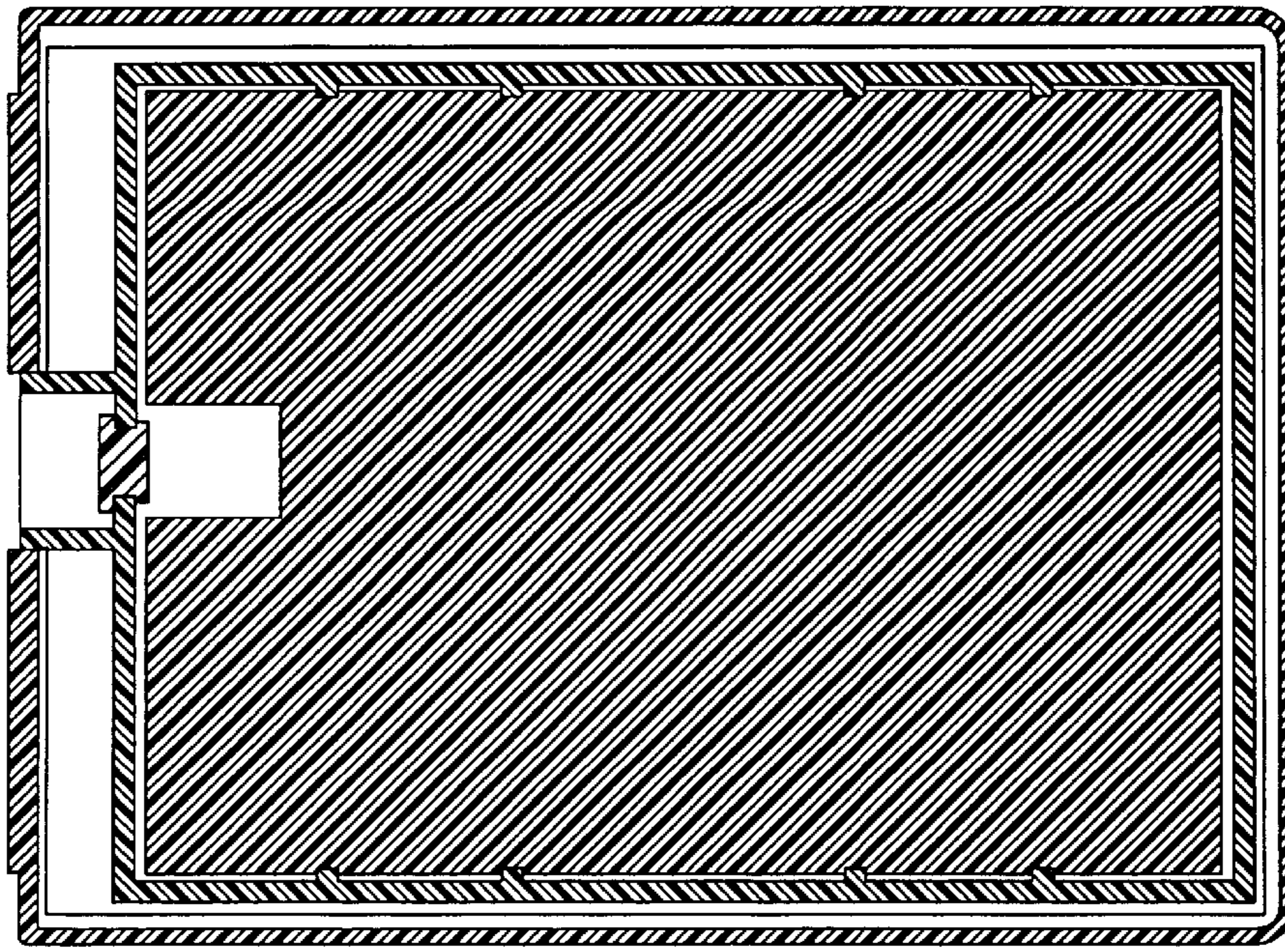


Fig. 10

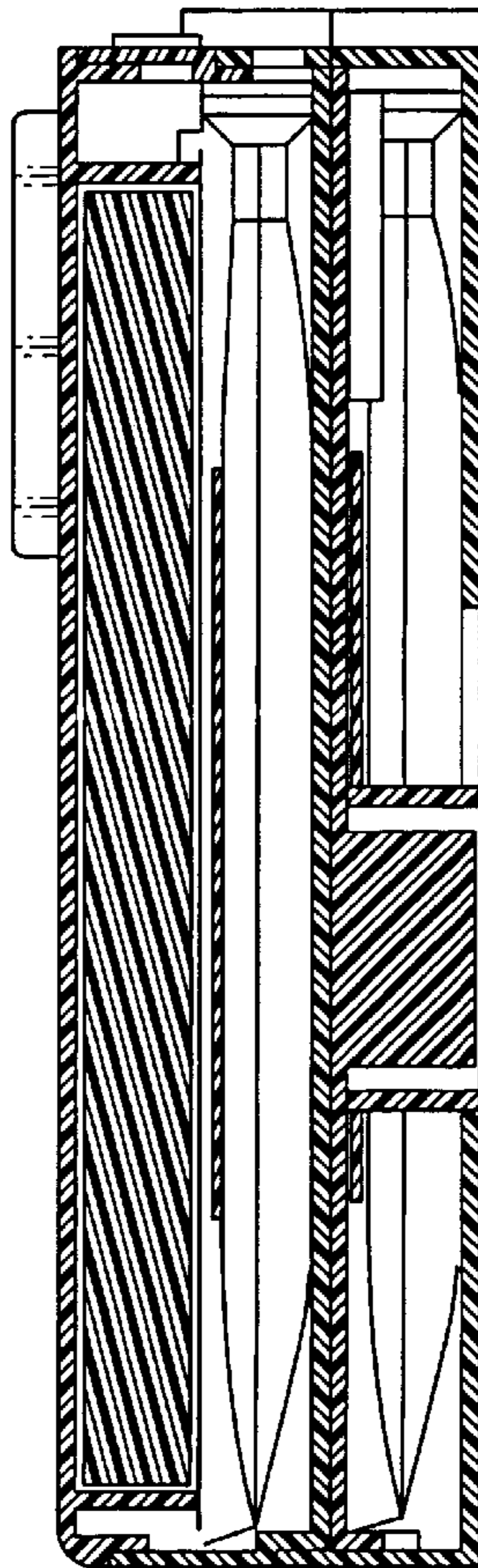


Fig. 11

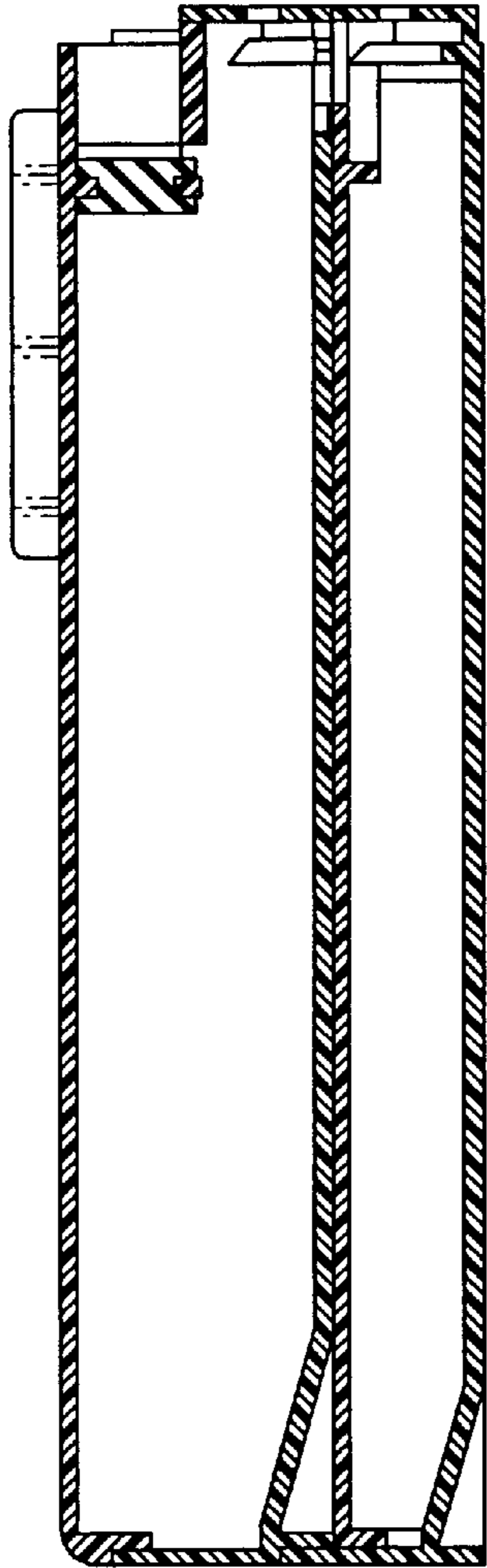


Fig. 12

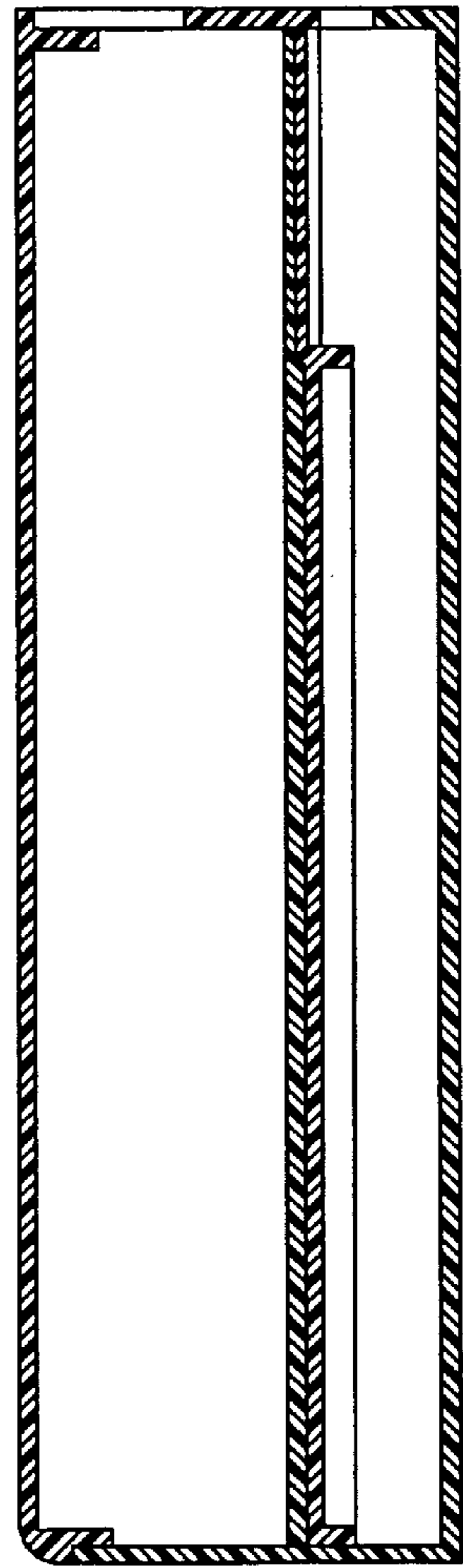


Fig. 13

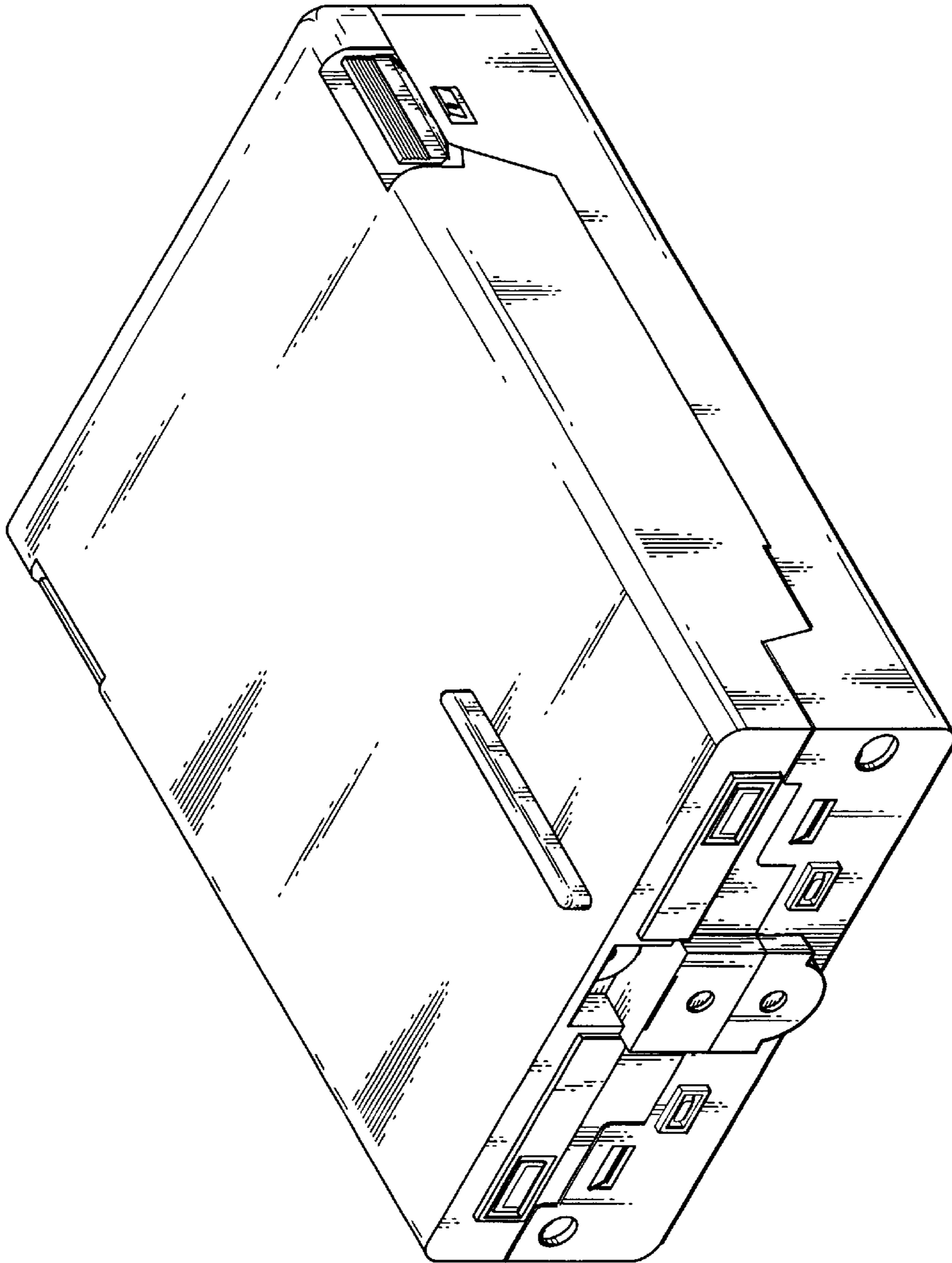


Fig. 14