



US00D464370S

(12) **United States Design Patent**
Kunihiro et al.

(10) **Patent No.:** **US D464,370 S**

(45) **Date of Patent:** **** Oct. 15, 2002**

(54) **TONER CARTRIDGE**

(75) Inventors: **Hisashi Kunihiro**, Nara-ken (JP);
Hiroshi Tanisawa, Nara-ken (JP);
Takeshi Wakabayashi, Kyoto-fu (JP);
Hiroshi Kawahito, Nara-ken (JP);
Fumito Mizoguchi, Nara-ken (JP);
Hiroshi Kubota, Osaka-fu (JP)

(73) Assignee: **Sharp Kabushiki Kaisha**, Osaka (JP)

(**) Term: **14 Years**

(21) Appl. No.: **29/150,152**

(22) Filed: **Nov. 9, 2001**

(30) **Foreign Application Priority Data**

May 10, 2001 (JP) 2001-013336

(51) **LOC (7) Cl.** **16-03**

(52) **U.S. Cl.** **D18/43**

(58) **Field of Search** D18/36, 40, 43,
D18/56; 399/24-28, 61, 99, 106, 262

(56) **References Cited**

U.S. PATENT DOCUMENTS

D368,112 S * 3/1996 Komaki D18/43

D395,668 S * 6/1998 Yasuda D18/43
D410,489 S * 6/1999 Miyazawa D18/43
D419,181 S * 1/2000 Matsumoto D18/40
D442,215 S * 5/2001 Fujita D18/43
D452,263 S * 12/2001 Ono et al. D18/40

* cited by examiner

Primary Examiner—Caron D. Veynar

(74) *Attorney, Agent, or Firm*—Nixon & Vanderhye

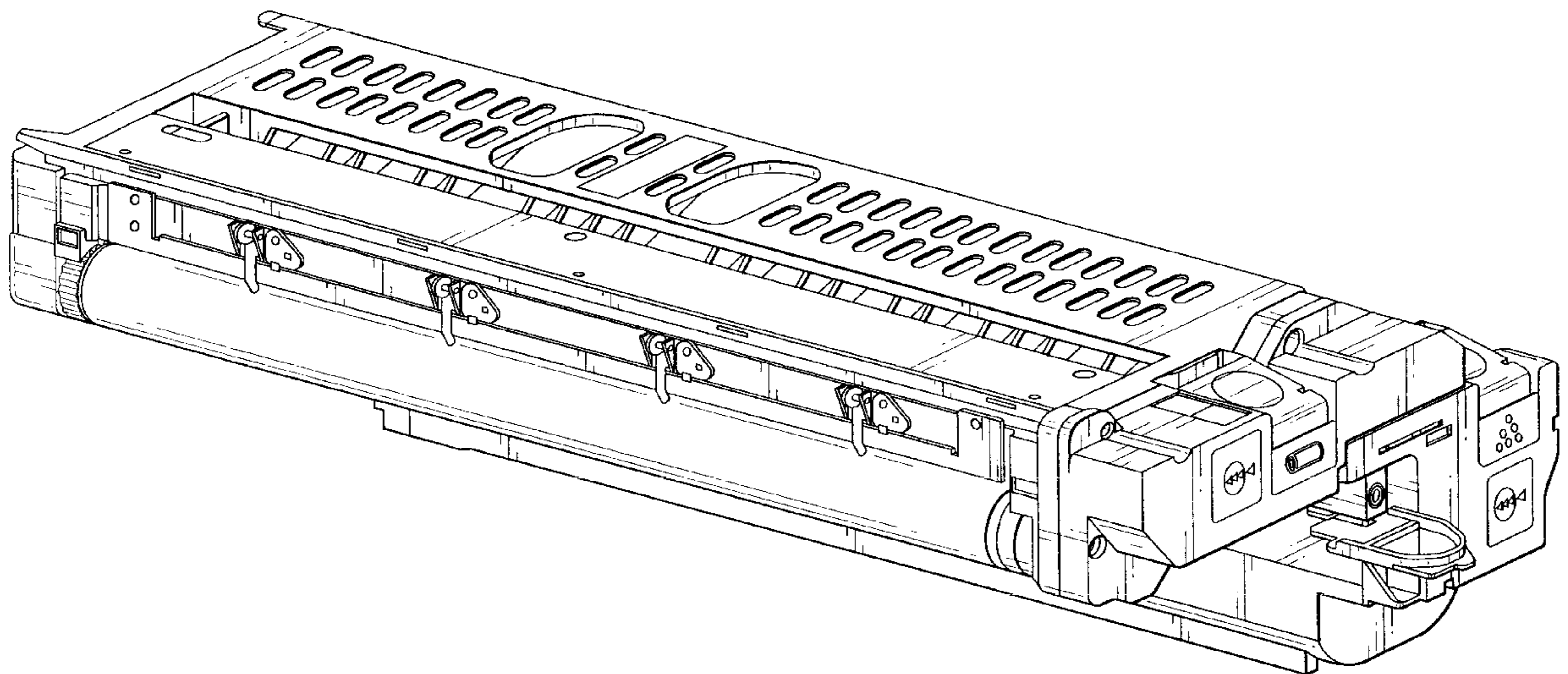
(57) **CLAIM**

The ornamental design for a “toner cartridge”, as shown and described.

DESCRIPTION

FIG. 1 is a top, front and right side perspective view of a toner cartridge according to our design;
FIG. 2 is a front elevational view thereof;
FIG. 3 is a rear elevational view thereof;
FIG. 4 is a left side elevational view thereof;
FIG. 5 is a right side elevational view thereof;
FIG. 6 is a top plan view thereof; and,
FIG. 7 is a bottom plan view thereof.

1 Claim, 6 Drawing Sheets



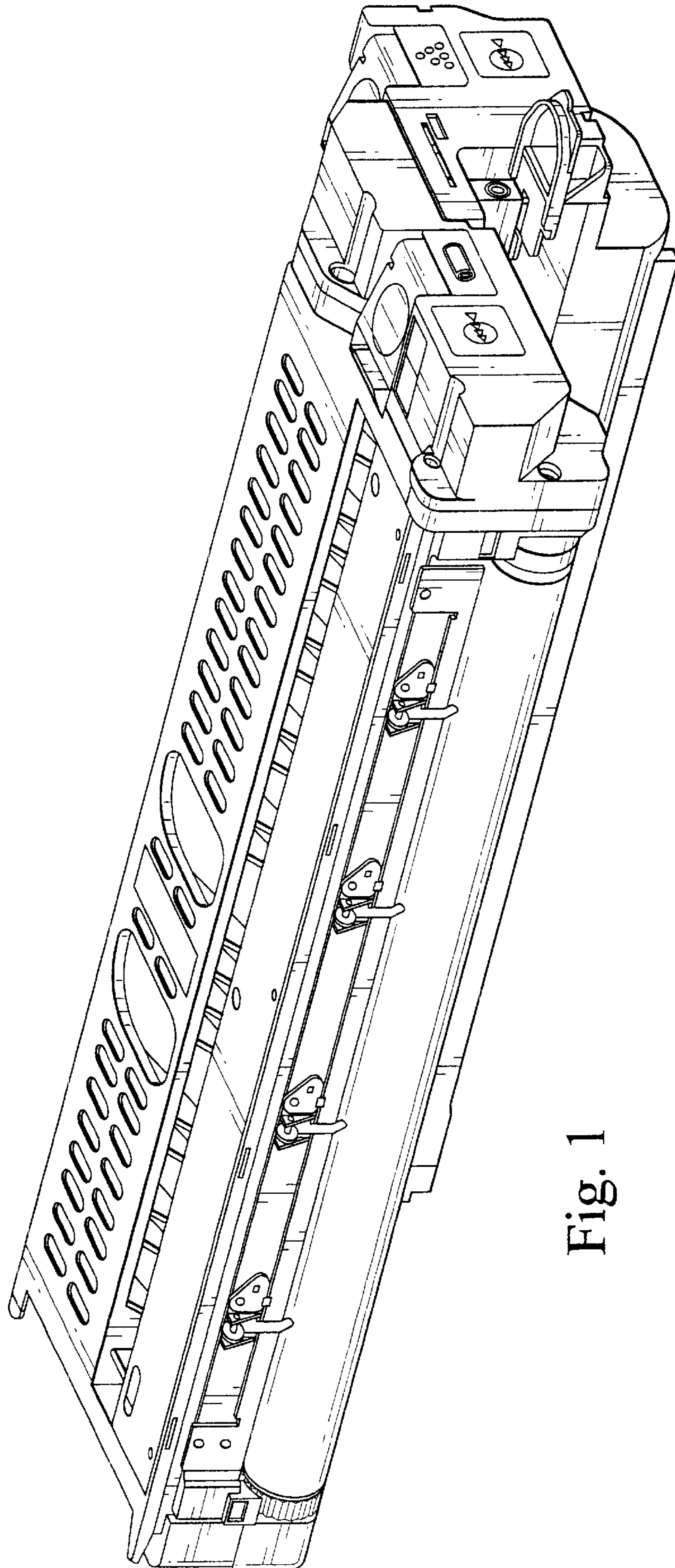


Fig. 1

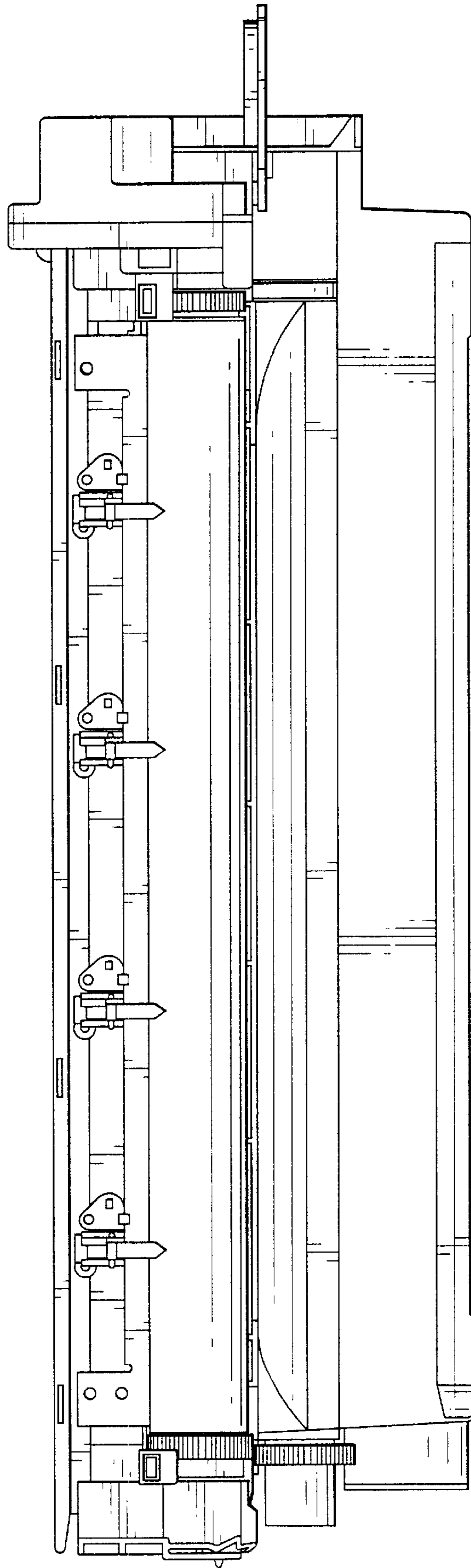


Fig. 2

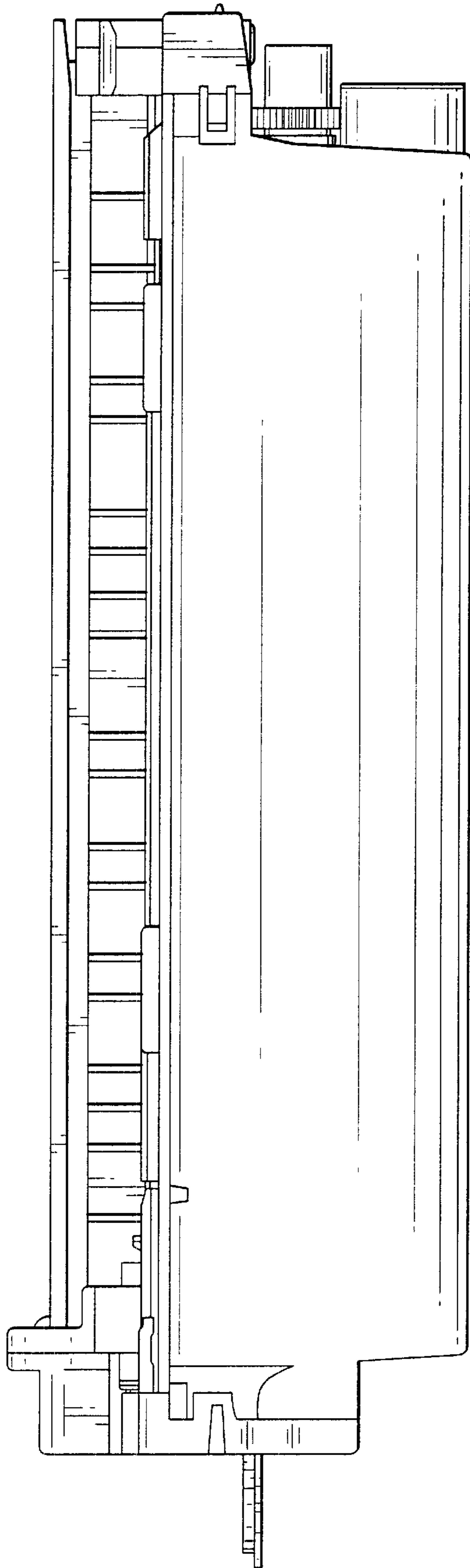


Fig. 3

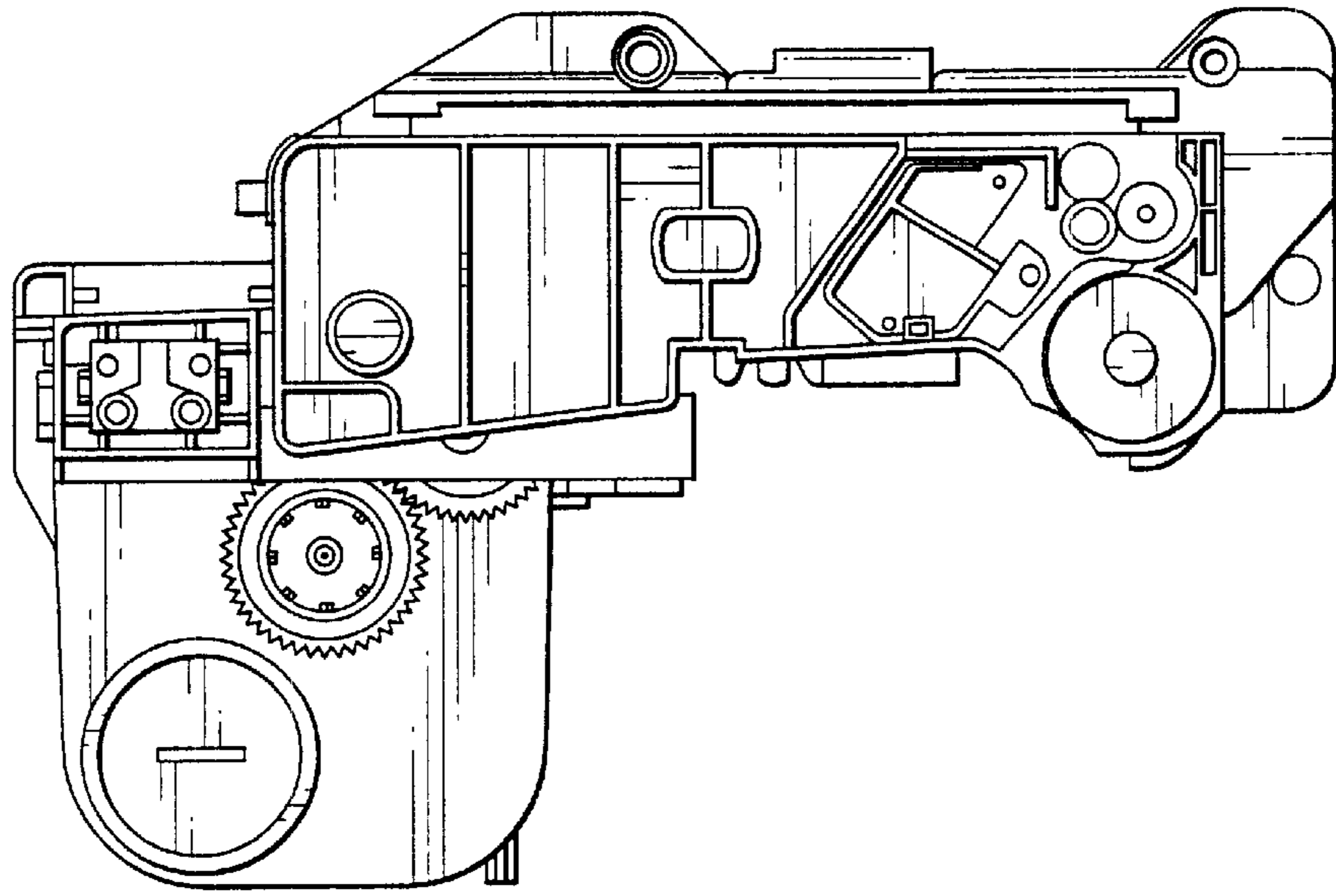


Fig. 4

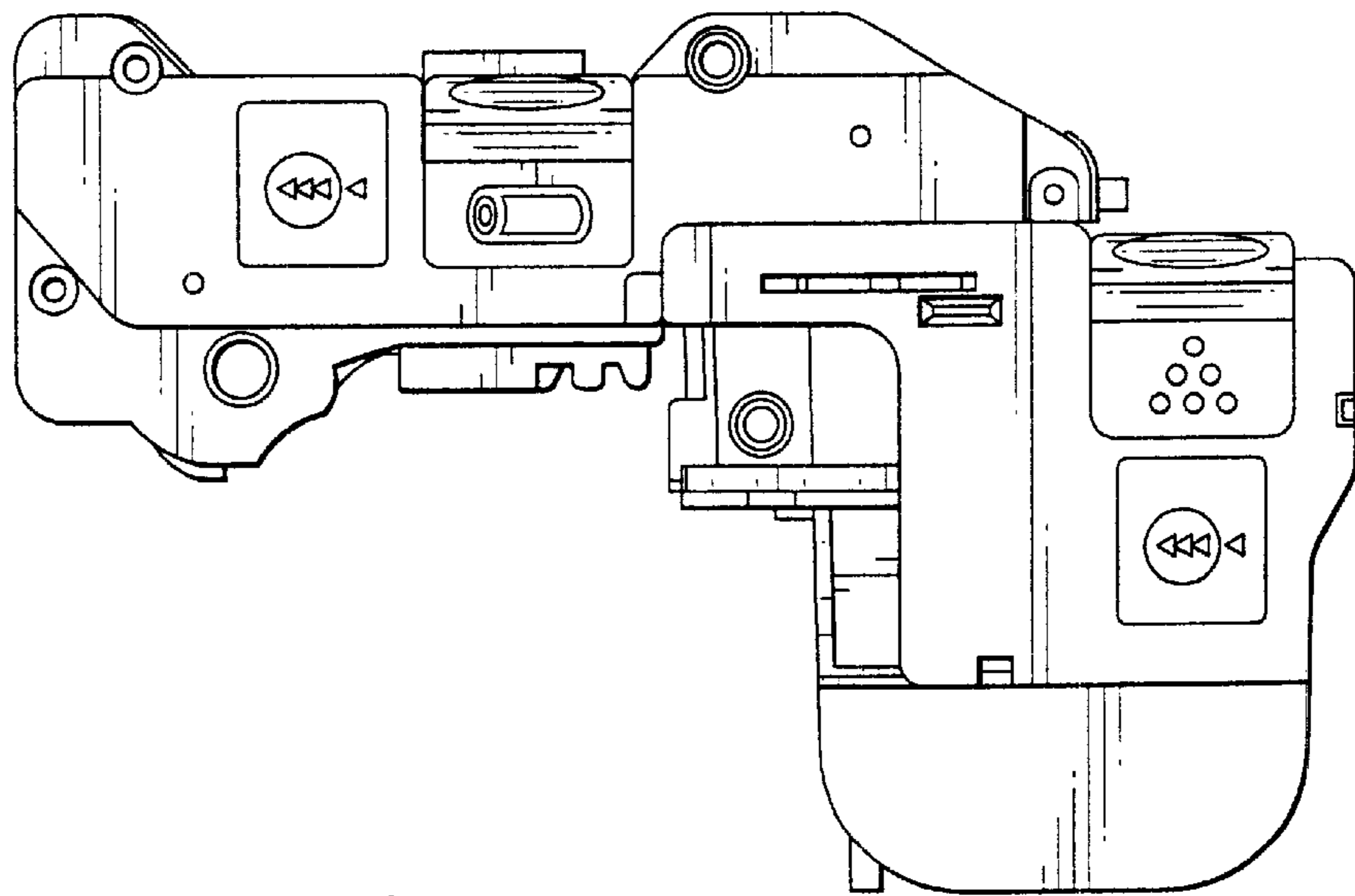


Fig. 5

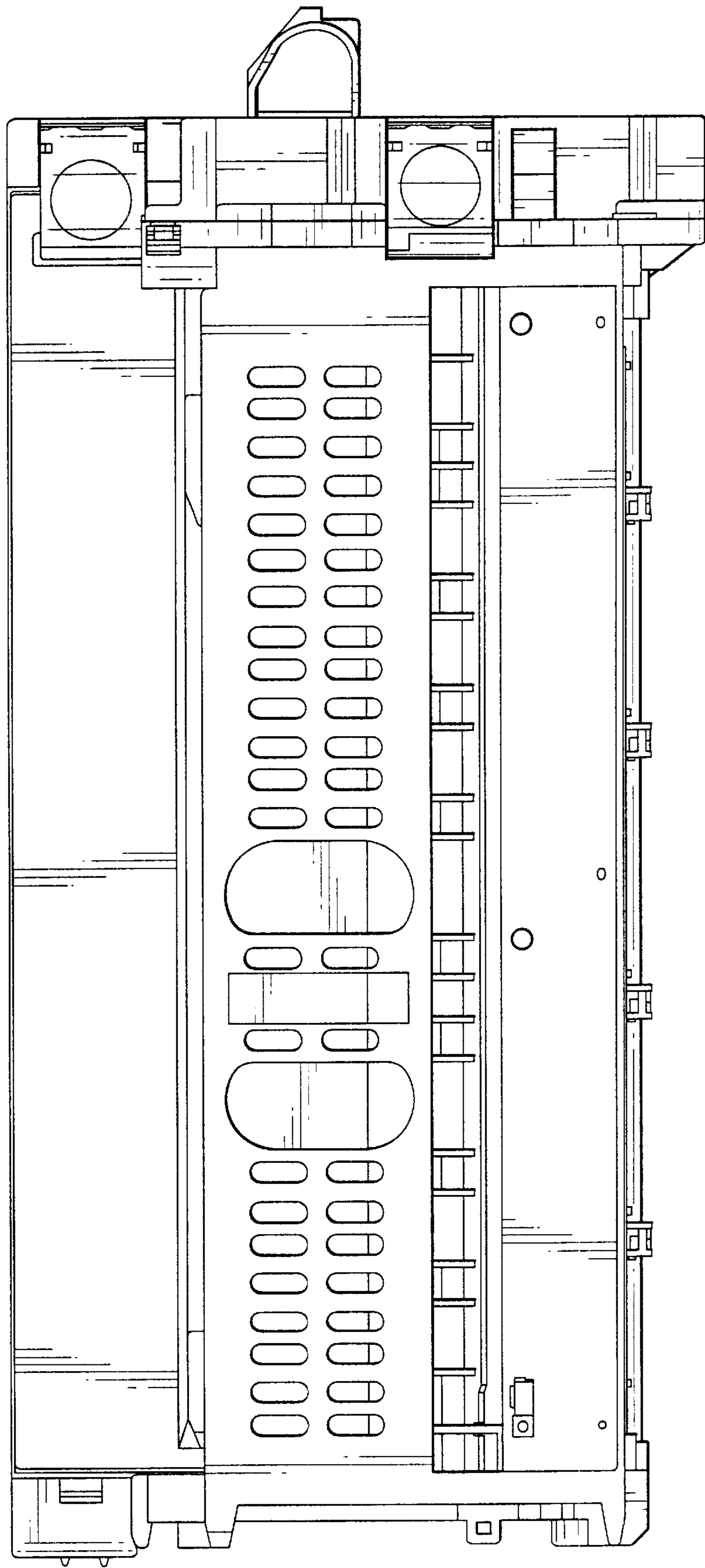


Fig. 6

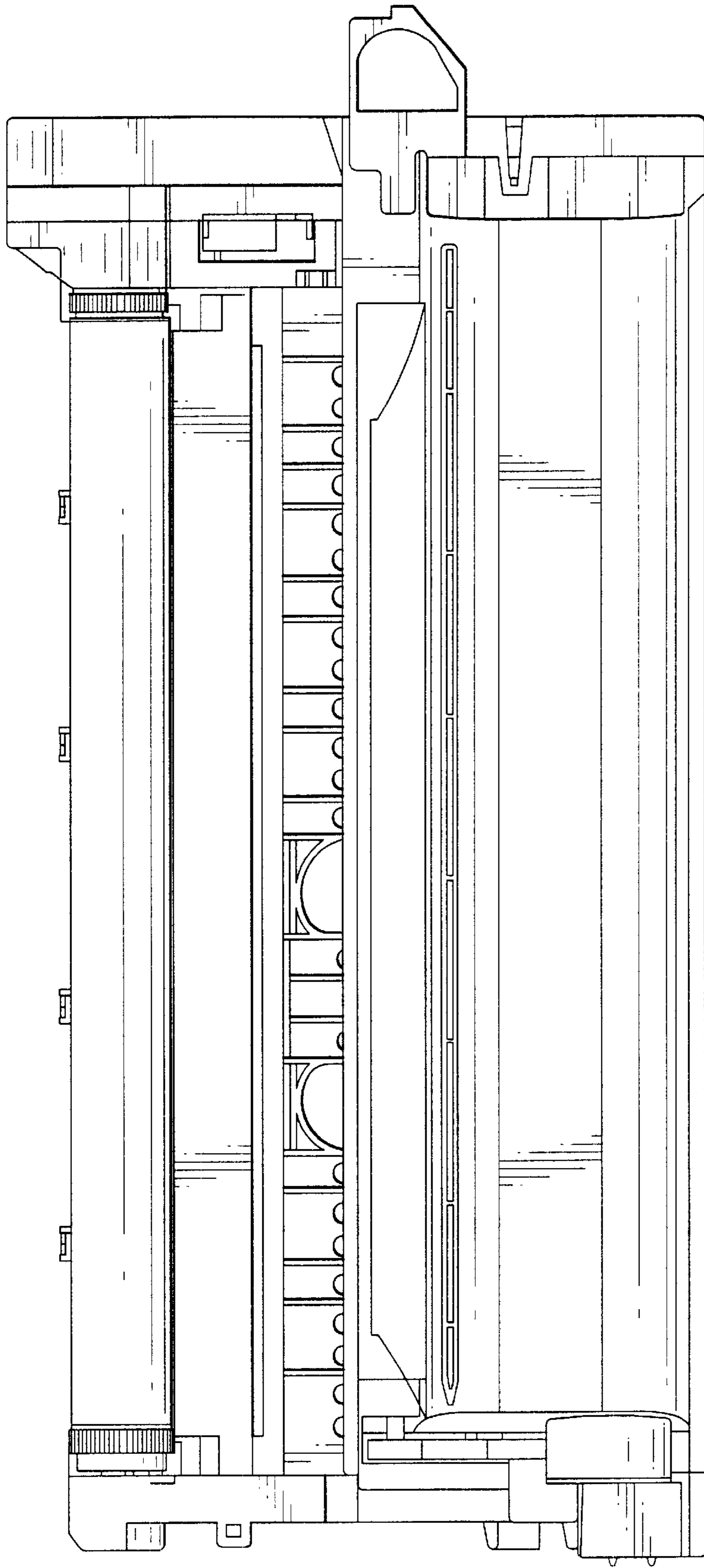


Fig. 7