



US00D464368S

(12) **United States Design Patent**
Worsley

(10) **Patent No.:** **US D464,368 S**

(45) **Date of Patent:** **** Oct. 15, 2002**

(54) **CASH REGISTER**

D372,042 S * 7/1996 Mizusugi et al. D18/4.1

(75) Inventor: **Justin Worsley**, New York, NY (US)

* cited by examiner

(73) Assignee: **John Menzies (UK) Limited**, London

Primary Examiner—Caron D. Veynar

(**) Term: **14 Years**

(74) *Attorney, Agent, or Firm*—Knobbe, Martens, Olson & Bear LLP

(21) Appl. No.: **29/140,216**

(57) **CLAIM**

(22) Filed: **Apr. 13, 2001**

The ornamental design for a cash register, as shown and described.

(51) **LOC (7) Cl.** **18-01**

DESCRIPTION

(52) **U.S. Cl.** **D18/4.1**

FIG. 1 is a perspective view of a cash register of the invention;

(58) **Field of Search** D18/4.1-4.6, 12.1-12.3;
235/2, 7 R-12, 472.01; 705/15-18

FIG. 2 is a front elevational view thereof;

FIG. 3 is a right side elevational view thereof;

FIG. 4 is a left side elevational view thereof;

FIG. 5 is a top plan view thereof;

FIG. 6 is a rear elevational view thereof; and,

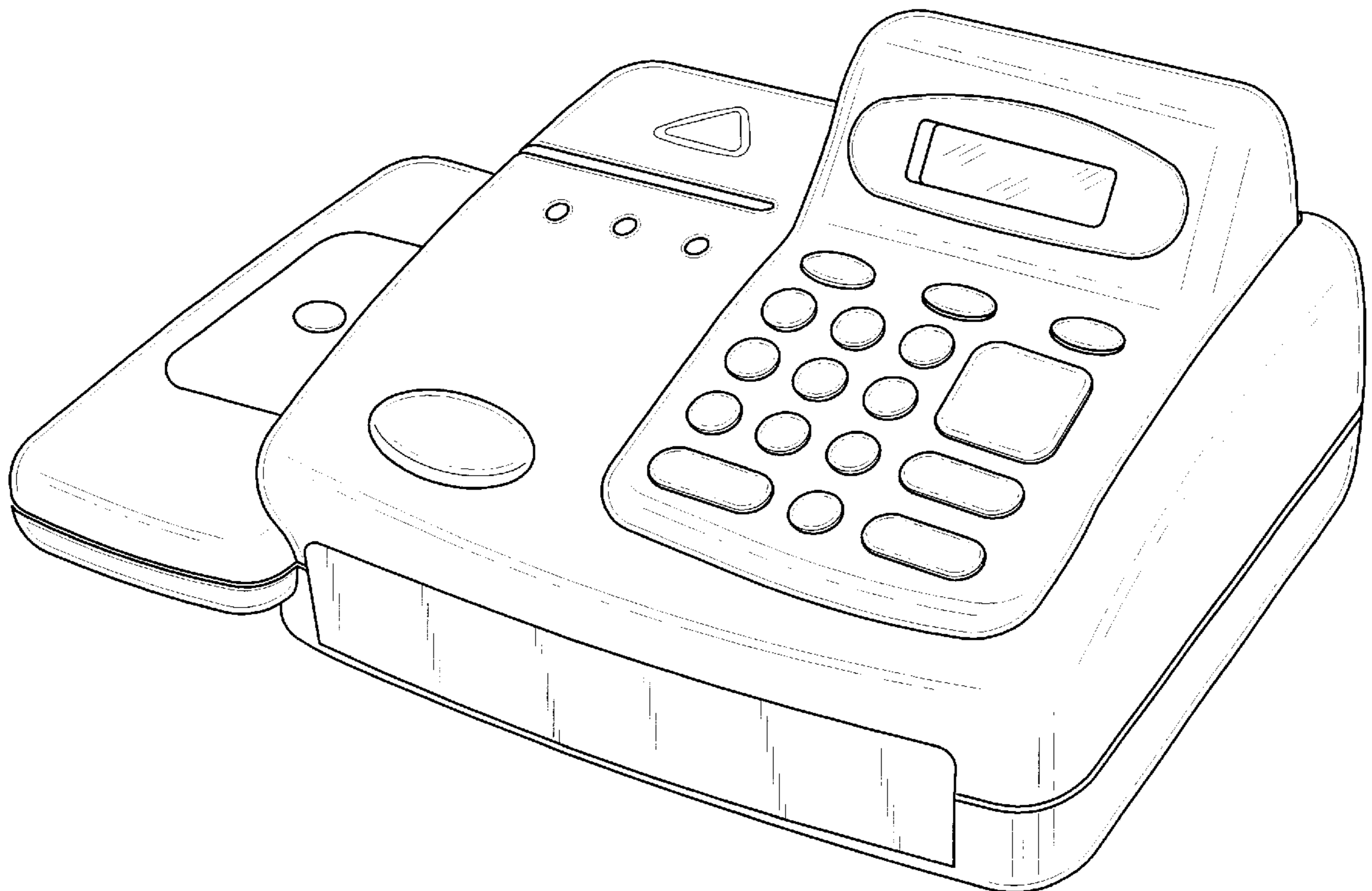
FIG. 7 is a bottom plan view thereof.

(56) **References Cited**

U.S. PATENT DOCUMENTS

- D261,289 S * 10/1981 Schoenfield D18/4.1 X
- D279,382 S * 6/1985 Hori et al. D18/4.1
- D309,297 S * 7/1990 Suda D18/4.6

1 Claim, 6 Drawing Sheets



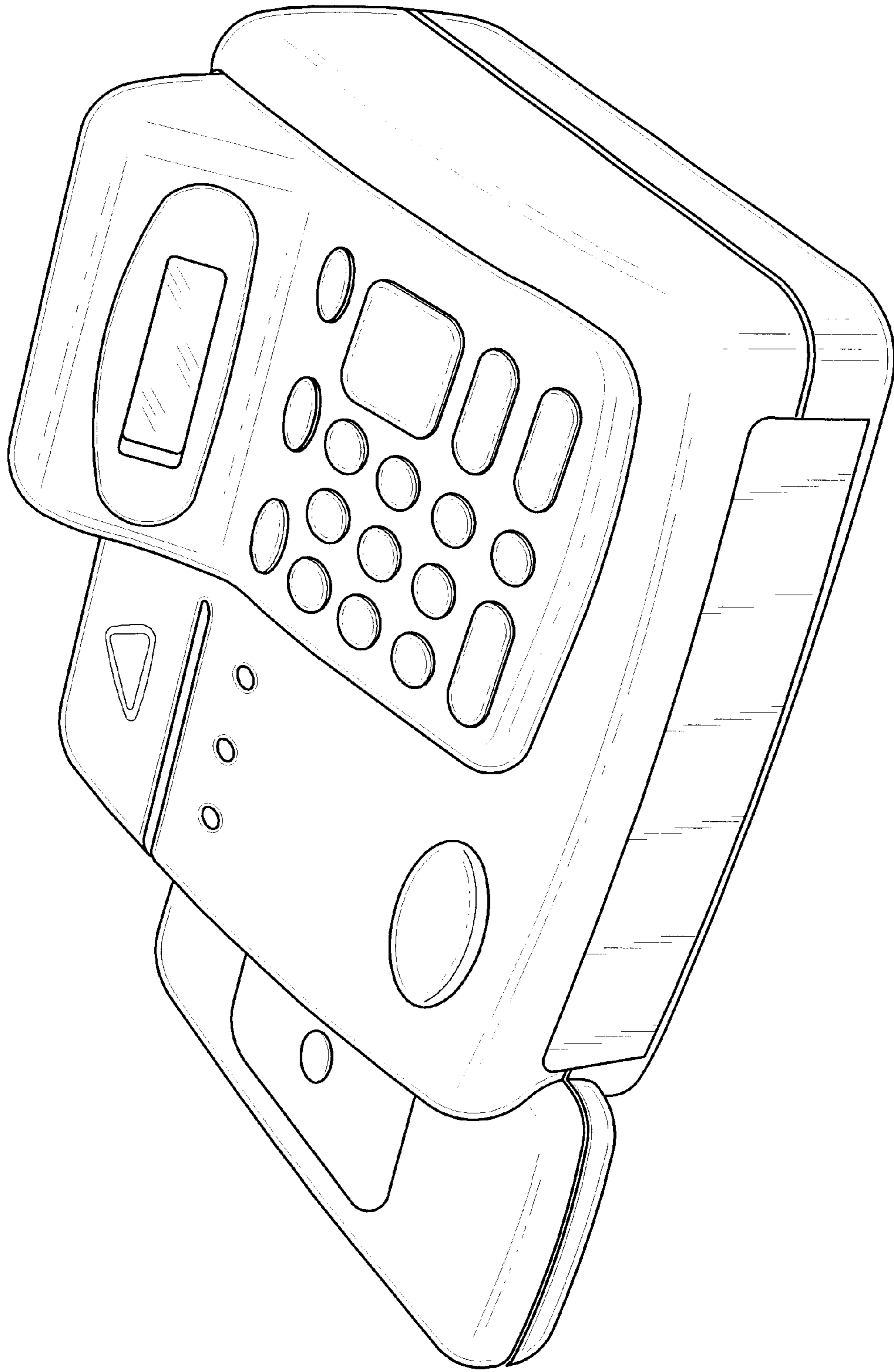


FIG. 1

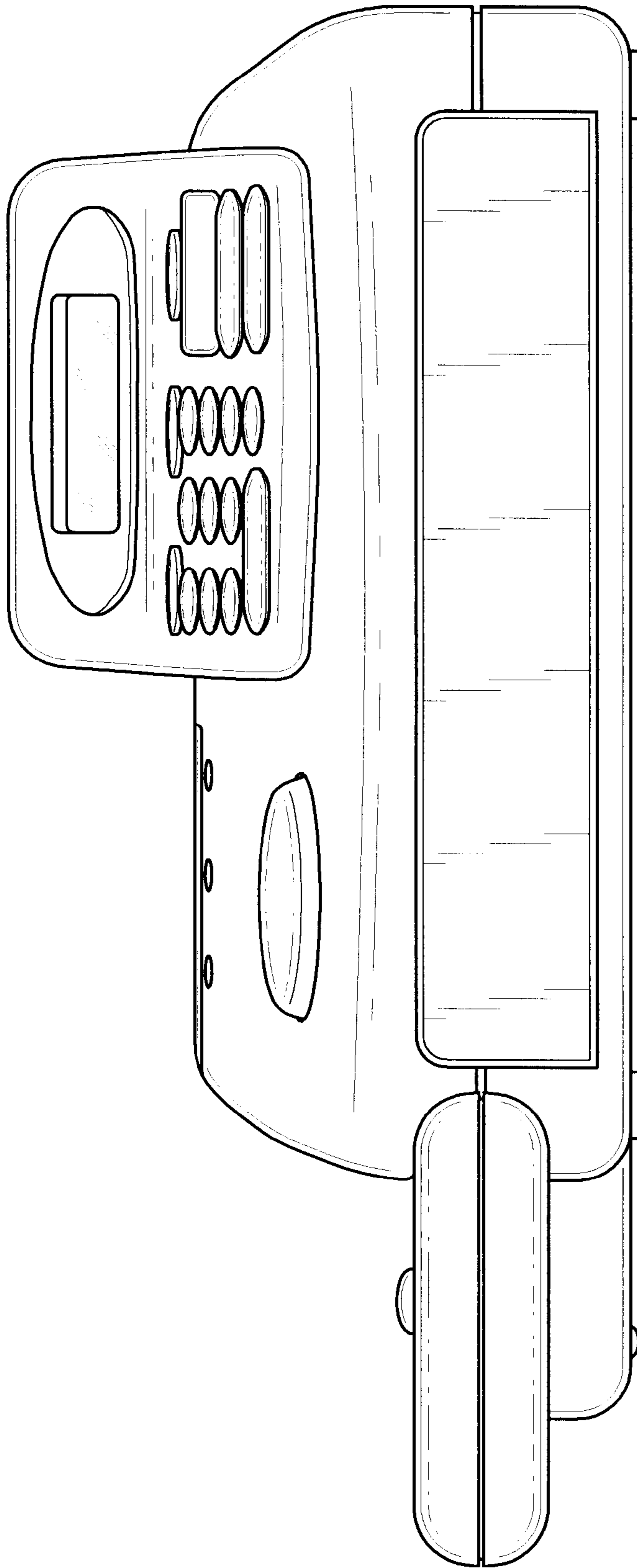


FIG. 2

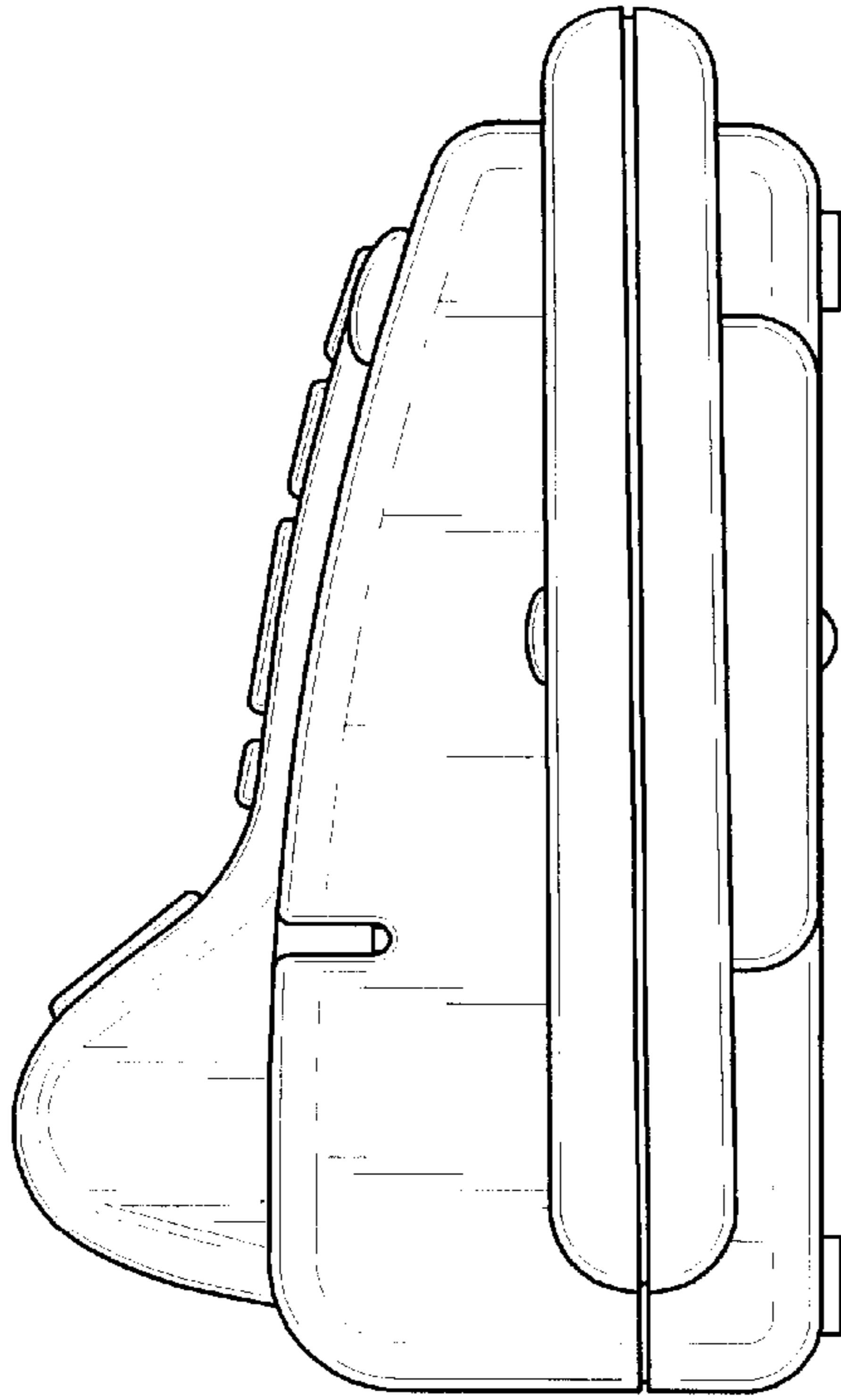


FIG. 4

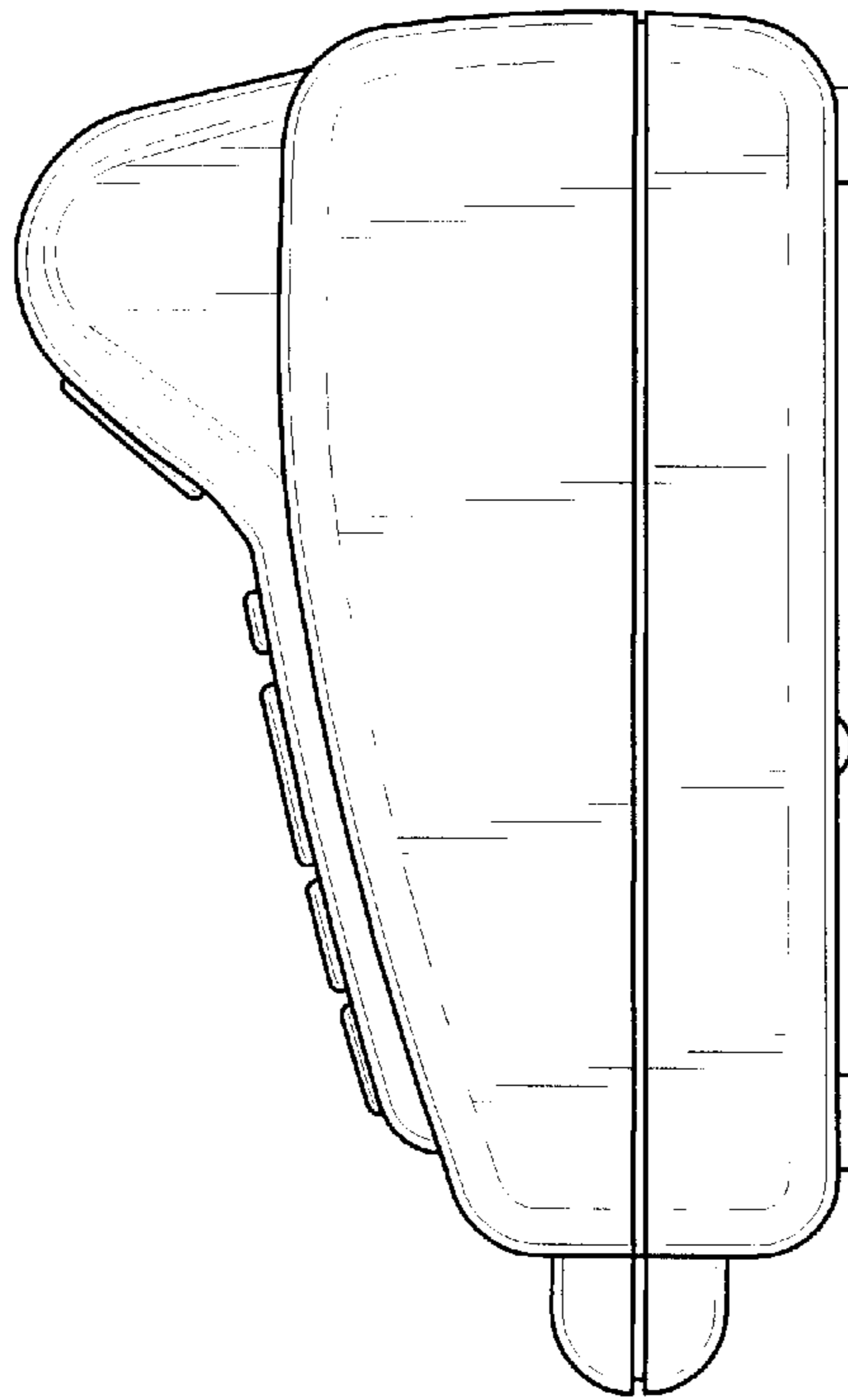


FIG. 3

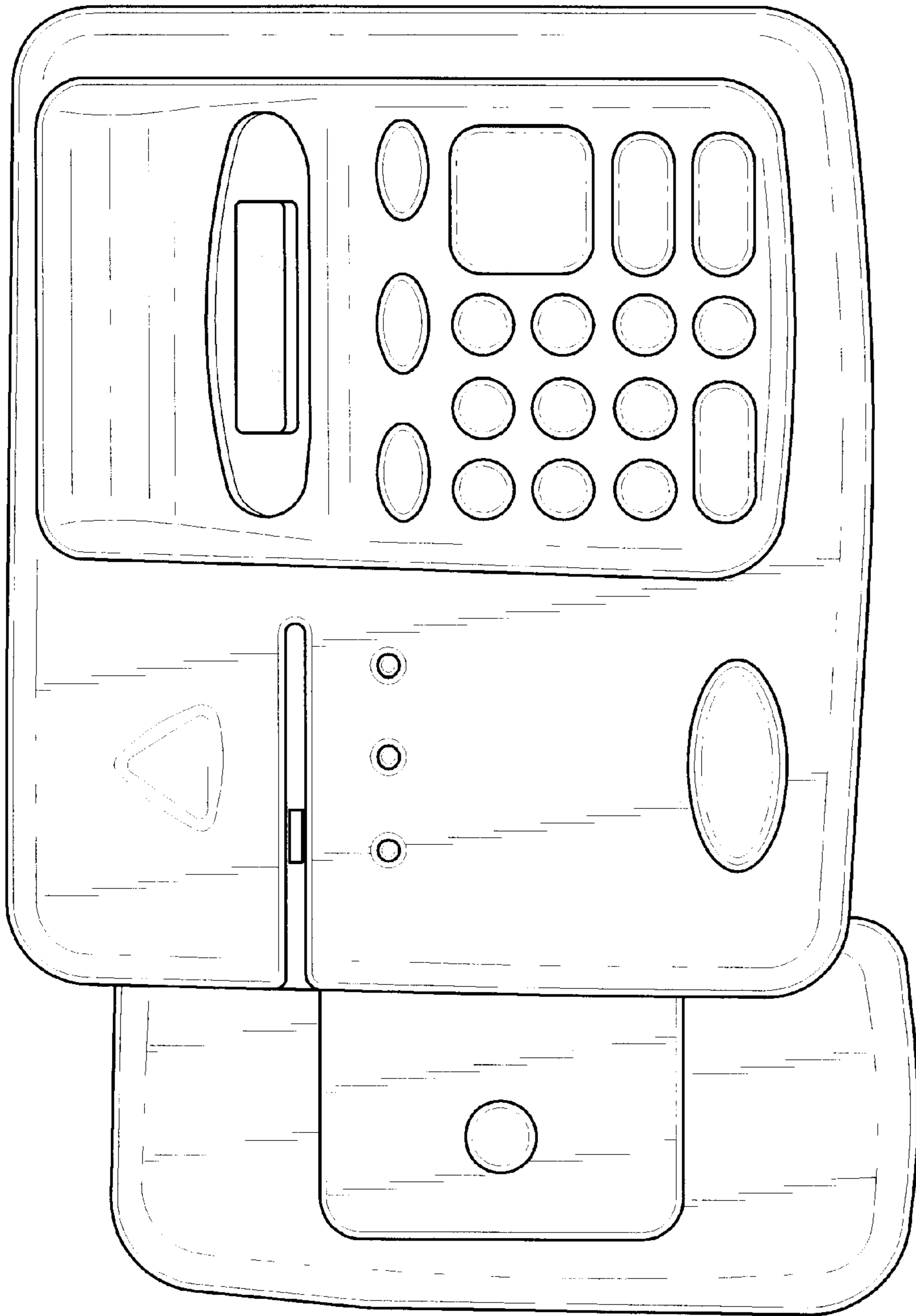


FIG. 5

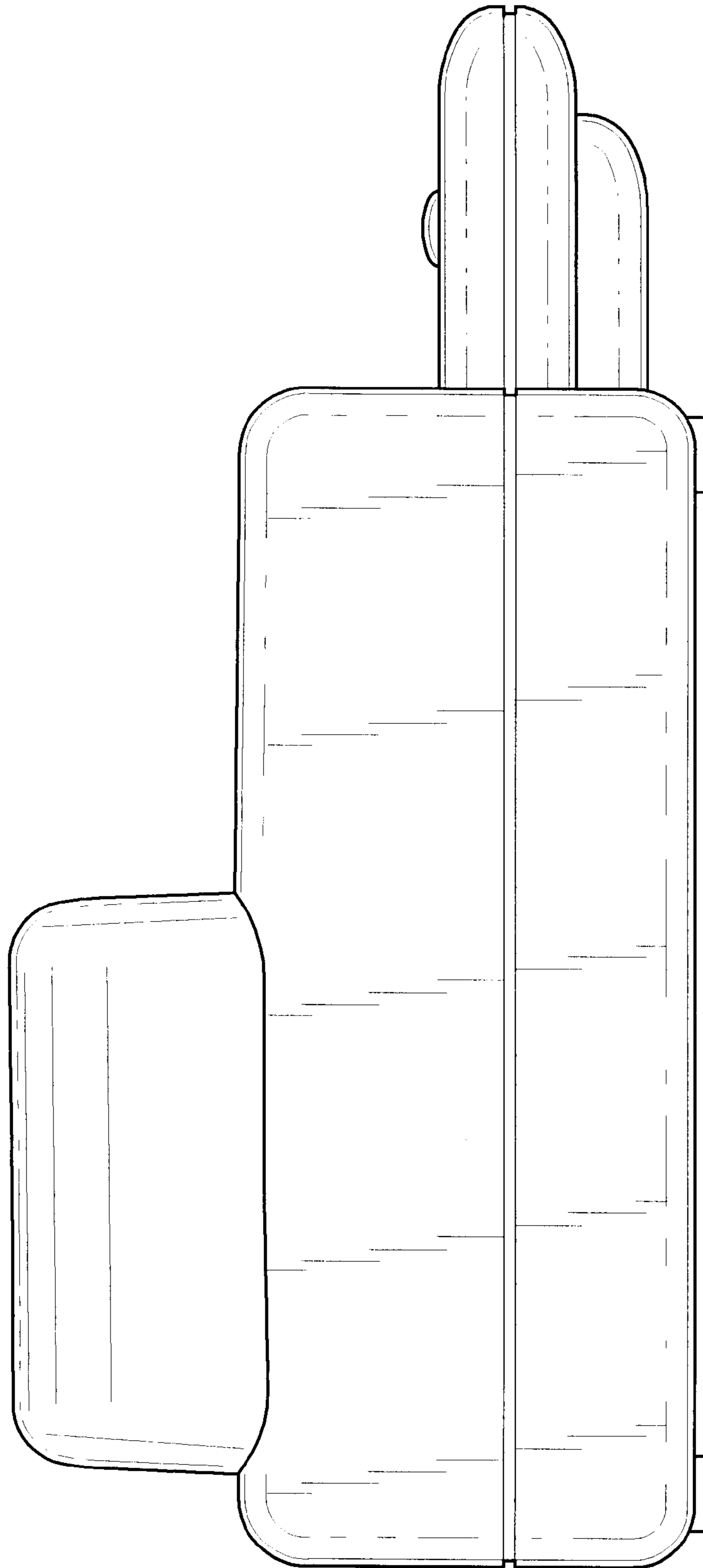


FIG. 6

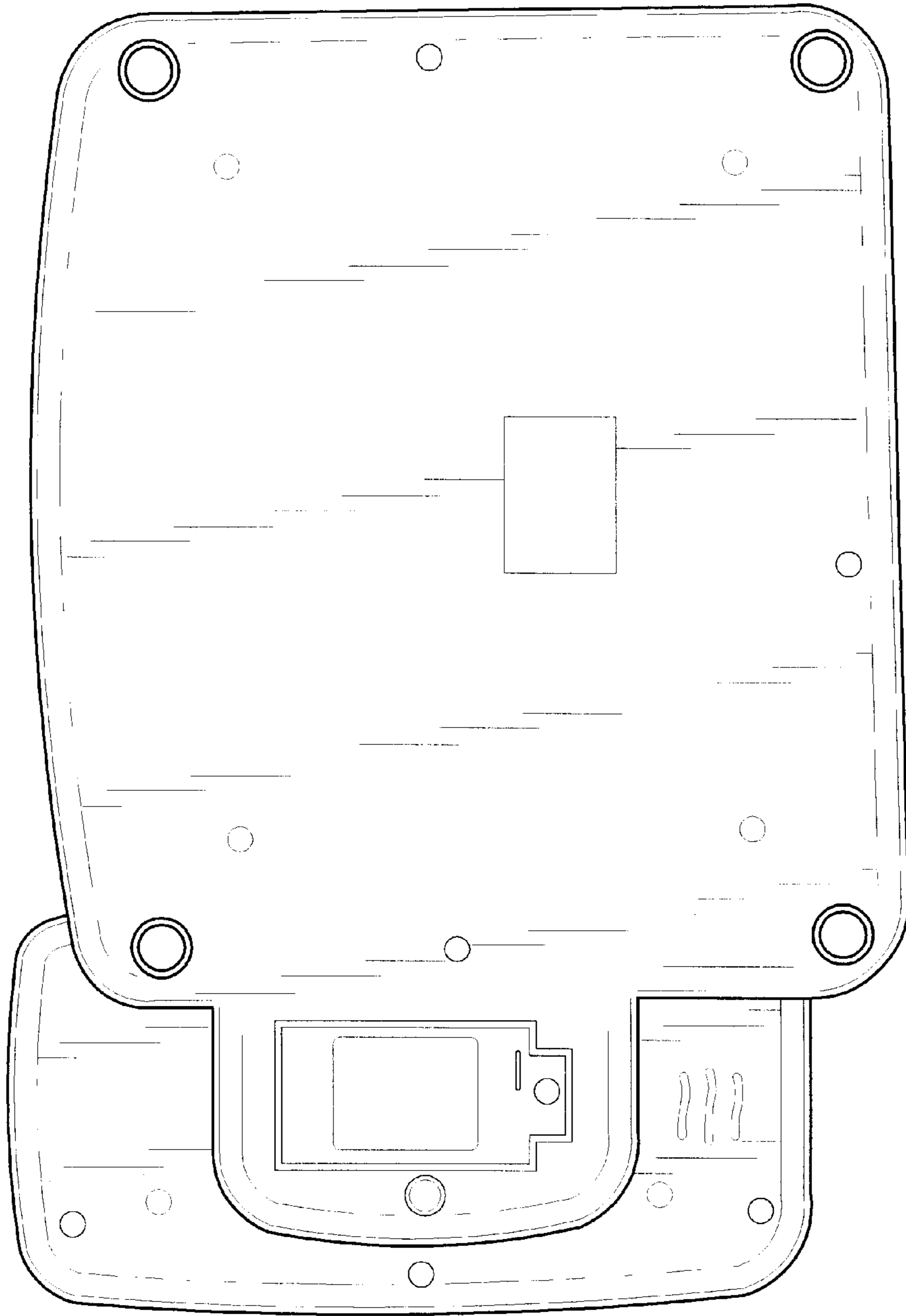


FIG. 7