



US00D464364S

(12) **United States Design Patent**
Niwa

(10) **Patent No.:** **US D464,364 S**

(45) **Date of Patent:** **** Oct. 15, 2002**

(54) **PART SUPPORT TOOL**

5,116,003 A * 5/1992 Gerhardi 248/312

(75) Inventor: **Kenji Niwa**, Aichi-ken (JP)

* cited by examiner

(73) Assignee: **Maruzen Products Company, Limited**, Nayoga (JP)

Primary Examiner—Antoine Duval Davis
(74) *Attorney, Agent, or Firm*—Armstrong, Westerman & Hattori, LLP

(**) Term: **14 Years**

(57) **CLAIM**

(21) Appl. No.: **29/136,321**

The ornamental design for a part support tool, as shown and described.

(22) Filed: **Jan. 30, 2001**

(30) **Foreign Application Priority Data**

Jul. 31, 2000 (JP) 2000-021028

DESCRIPTION

(51) **LOC (7) Cl.** **15-09**

FIG. 1 is a front elevational view of a part support tool showing my new design;

(52) **U.S. Cl.** **D15/140**

FIG. 2 is a rear elevational view thereof;

(58) **Field of Search** D15/139, 140;

FIG. 3 is a top plan view thereof;

248/302, 305, 313, 316.7, 317, 205.1, 229.16

FIG. 4 is a bottom plan view thereof;

FIG. 5 is a right side elevational view thereof; and,

FIG. 6 is a left side elevational view thereof.

(56) **References Cited**

The broken line showing of a connecting portion of the part support tool is for illustrative purposes only and forms no part of the claimed design.

U.S. PATENT DOCUMENTS

4,909,467 A * 3/1990 Shan-Peo 248/312

5,088,609 A * 2/1992 Frye 248/316.7 X

1 Claim, 3 Drawing Sheets

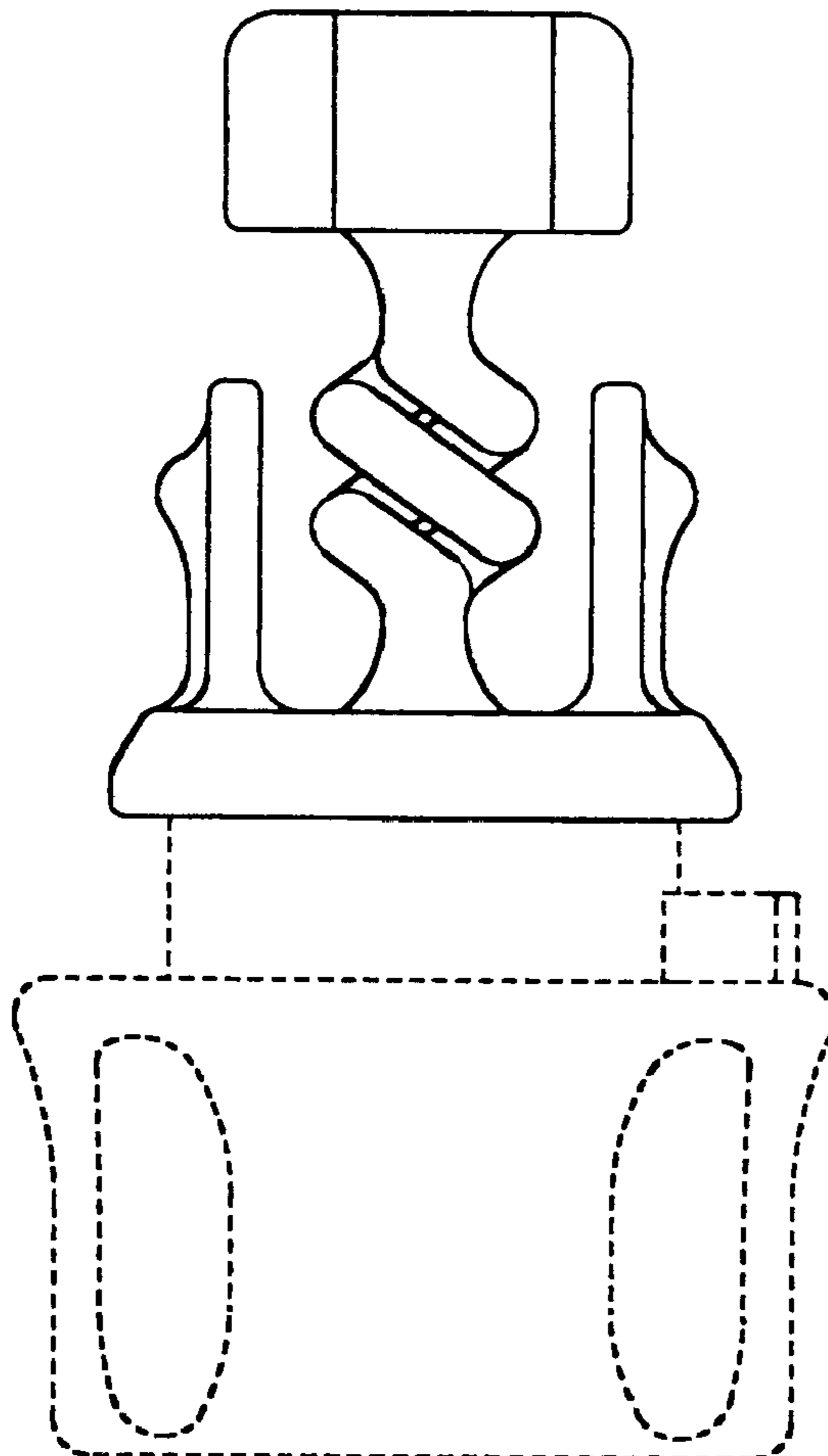


Fig.1

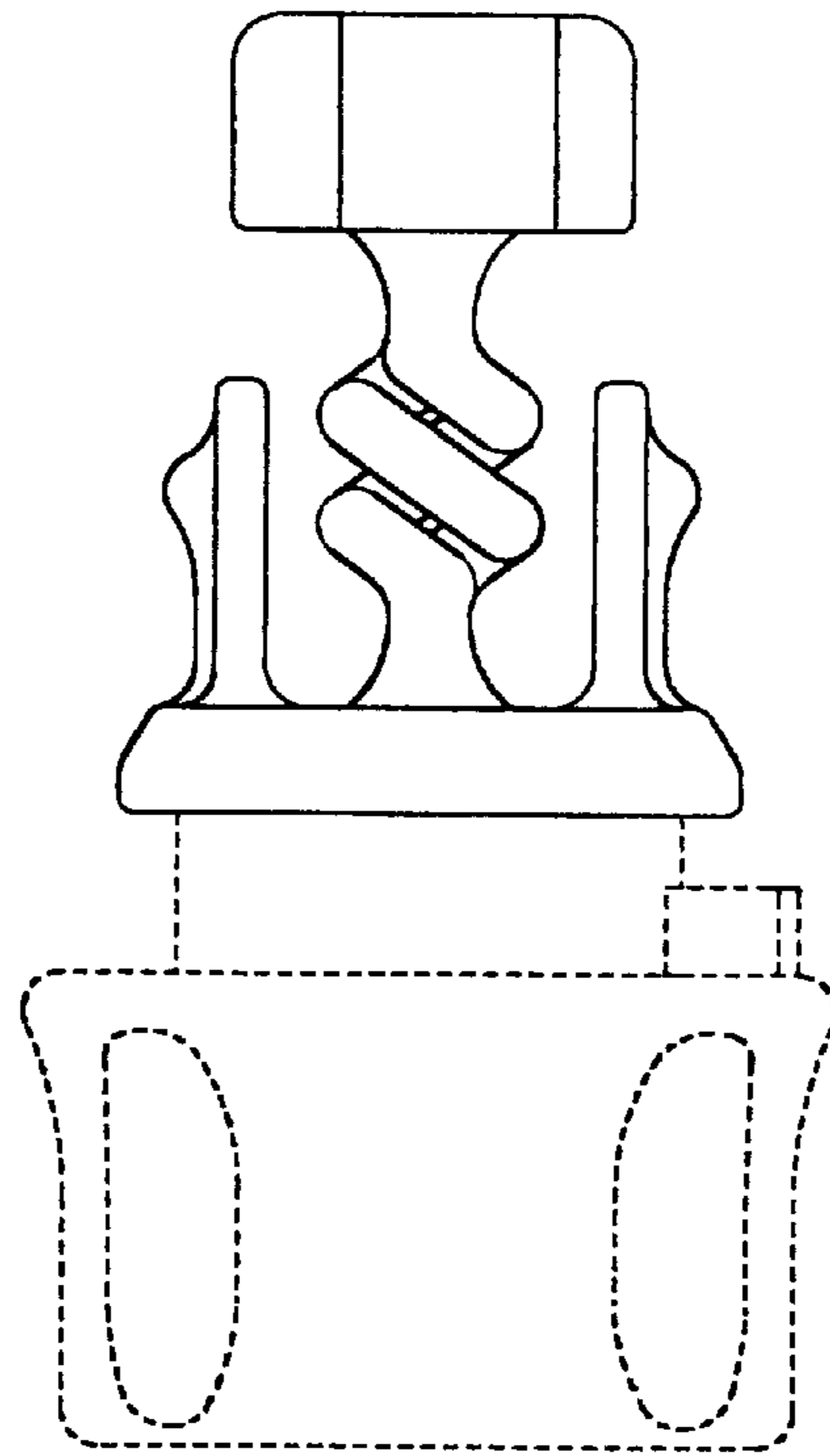


Fig.2

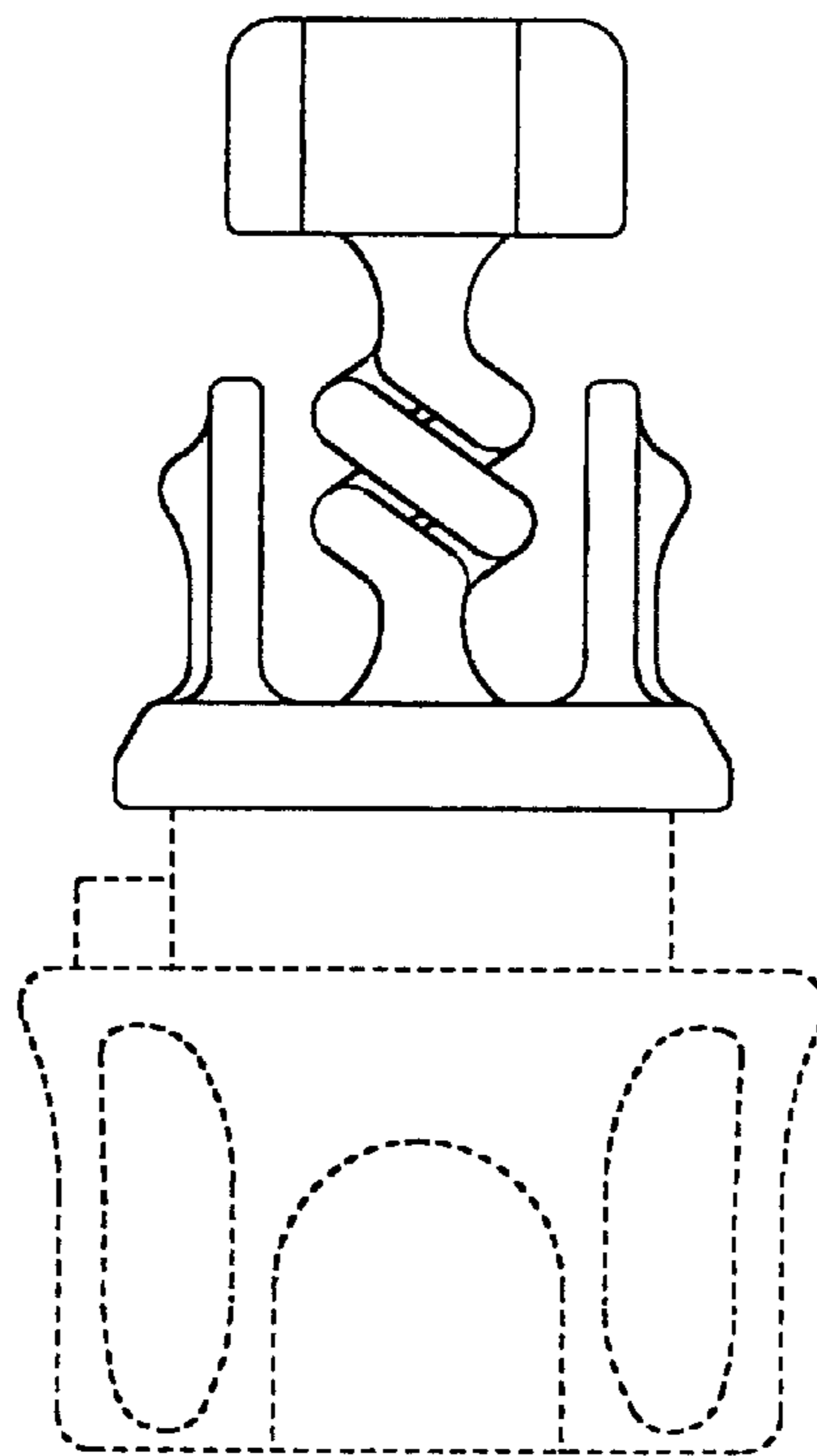


Fig.3

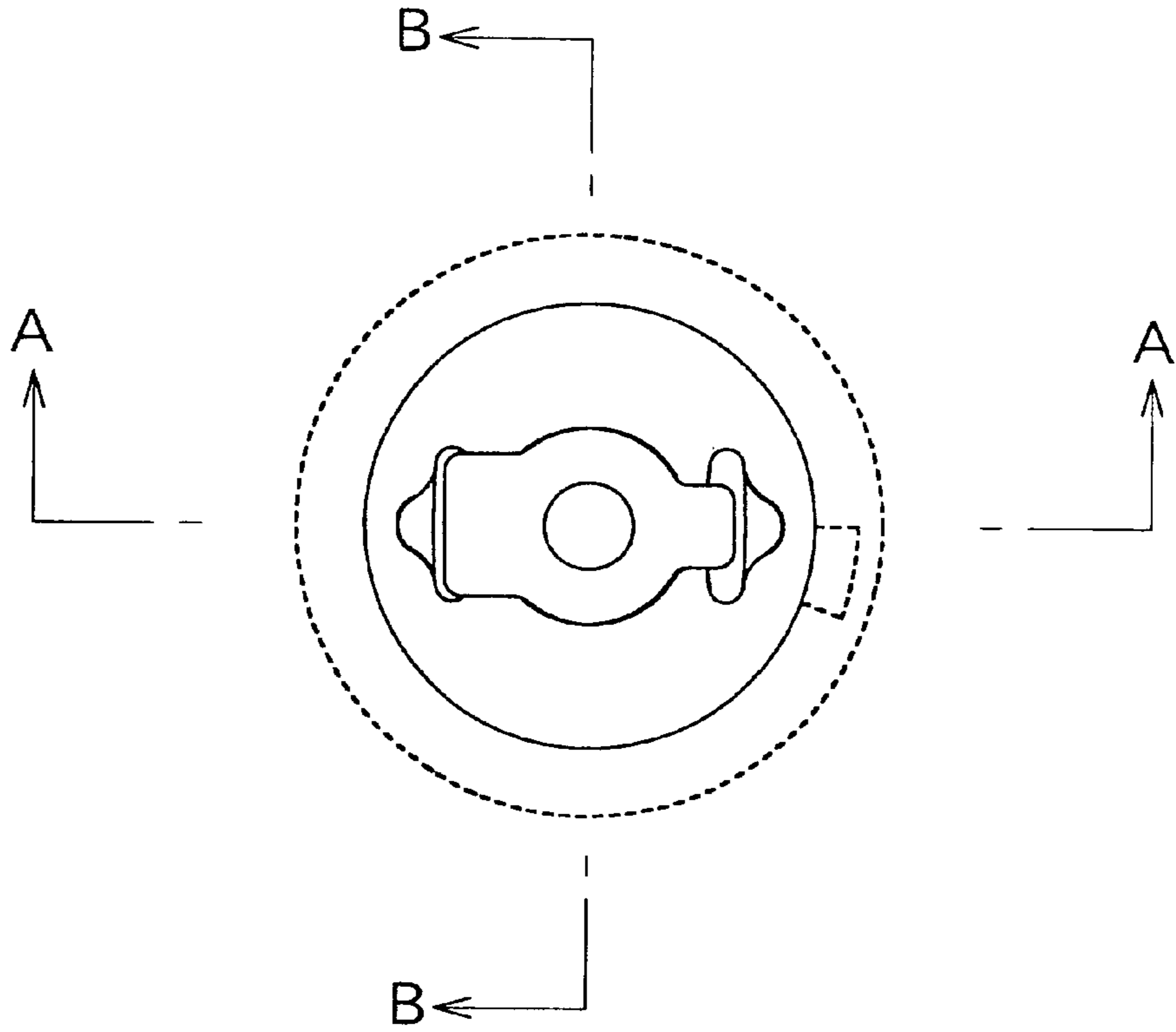


Fig.4

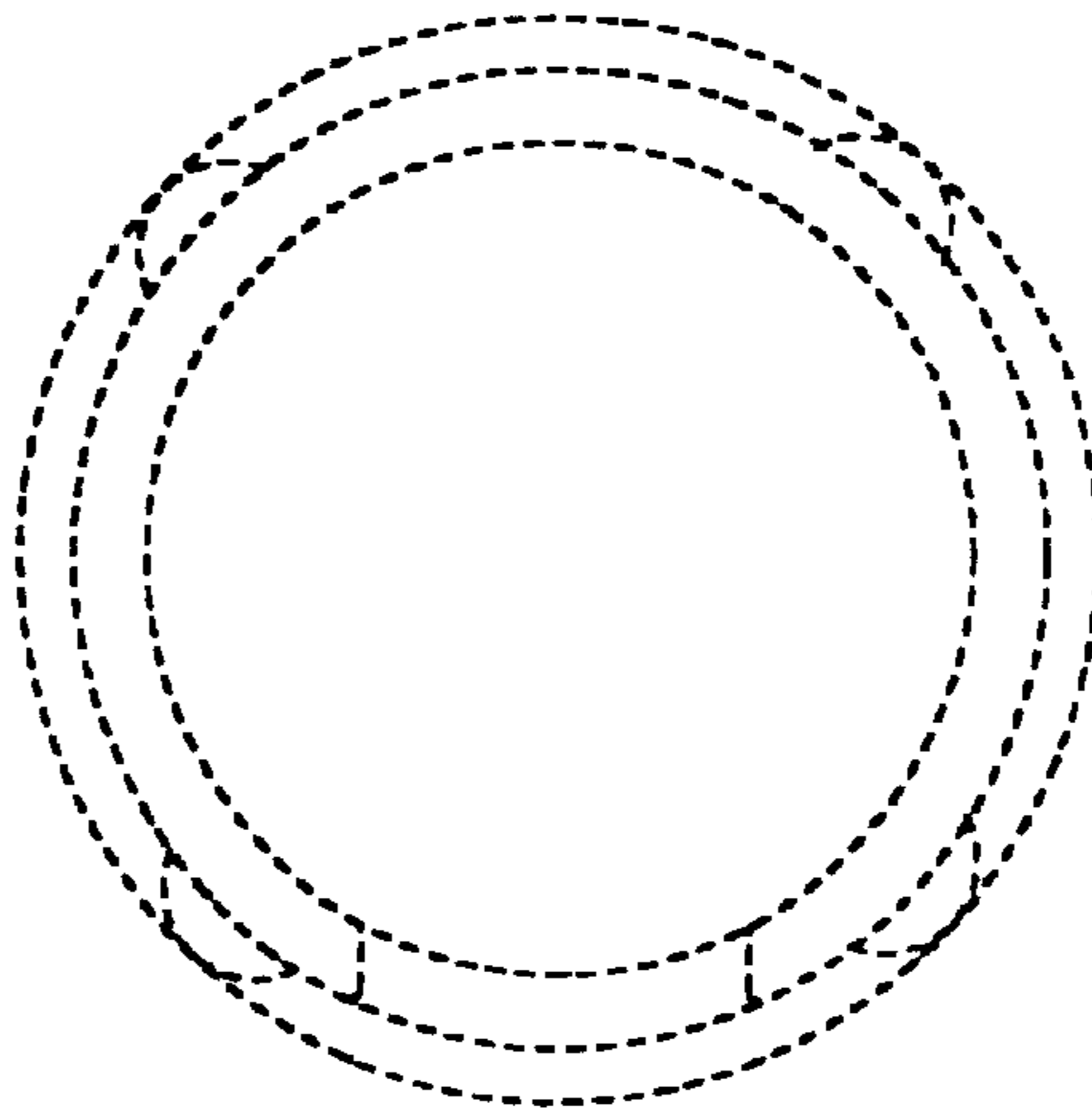


Fig.5

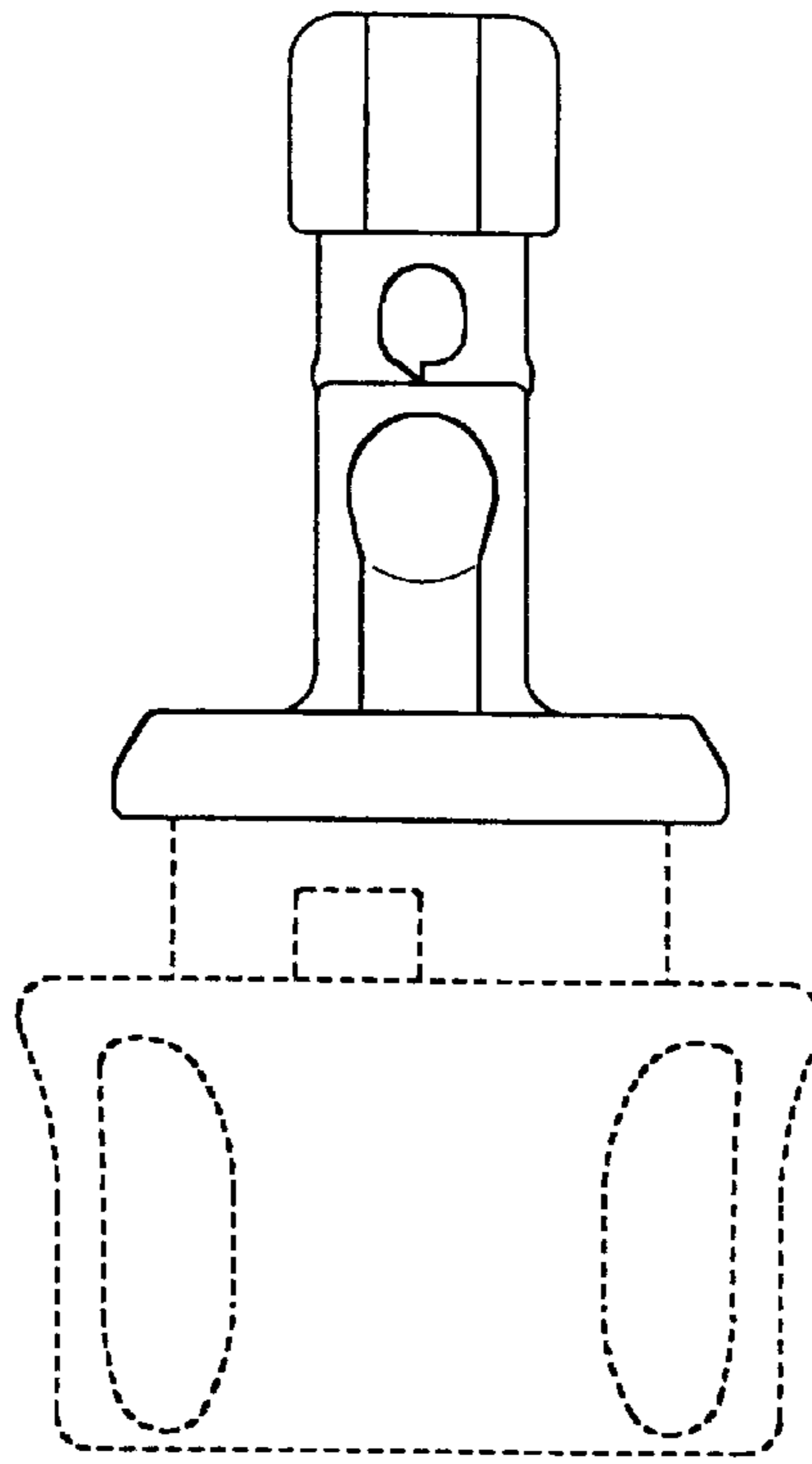


Fig.6

