



US00D464363S

(12) **United States Design Patent**
Saito et al.

(10) **Patent No.:** **US D464,363 S**

(45) **Date of Patent:** **** Oct. 15, 2002**

(54) **LASER BEAM MACHINE**

D424,584 S * 5/2000 Kawahara et al. D15/122
6,180,917 B1 * 1/2001 Grassi 219/121.81

(75) Inventors: **Shigeru Saito**, Tokyo (JP); **Takanori Miyake**, Tokyo (JP); **Mitsunobu Oshimura**, Tokyo (JP); **Kazunobu Katase**, Tokyo (JP)

* cited by examiner

Primary Examiner—Antoine Duval Davis
(74) *Attorney, Agent, or Firm*—Oblon, Spivak, McClelland, Maier & Neustadt, P.C.

(73) Assignee: **Mitsubishi Denki Kabushiki Kaisha**, Tokyo (JP)

(57) **CLAIM**

(**) Term: **14 Years**

The ornamental design for a laser beam machine, as shown.

(21) Appl. No.: **29/146,345**

DESCRIPTION

(22) Filed: **Aug. 9, 2001**

FIG. 1 is a front, top and right side perspective view of a laser beam machine, showing our new design;
FIG. 2 is a front elevational view thereof;
FIG. 3 is a rear elevational view thereof;
FIG. 4 is a top plan view thereof;
FIG. 5 is a bottom plan view thereof;
FIG. 6 is a right side elevational view thereof;
FIG. 7 is a left side elevational view thereof; and,
FIG. 8 is an enlarged cross-sectional view thereof, taken along line 8—8 of FIG. 2, with the internal system omitted.

(30) **Foreign Application Priority Data**

Apr. 27, 2001 (JP) 2001-012506

(51) **LOC (7) Cl.** **15-09**

(52) **U.S. Cl.** **D15/122**

(58) **Field of Search** D15/122; 219/121.6–121.86

(56) **References Cited**

U.S. PATENT DOCUMENTS

D419,573 S * 1/2000 Kawahara et al. D15/122

1 Claim, 5 Drawing Sheets

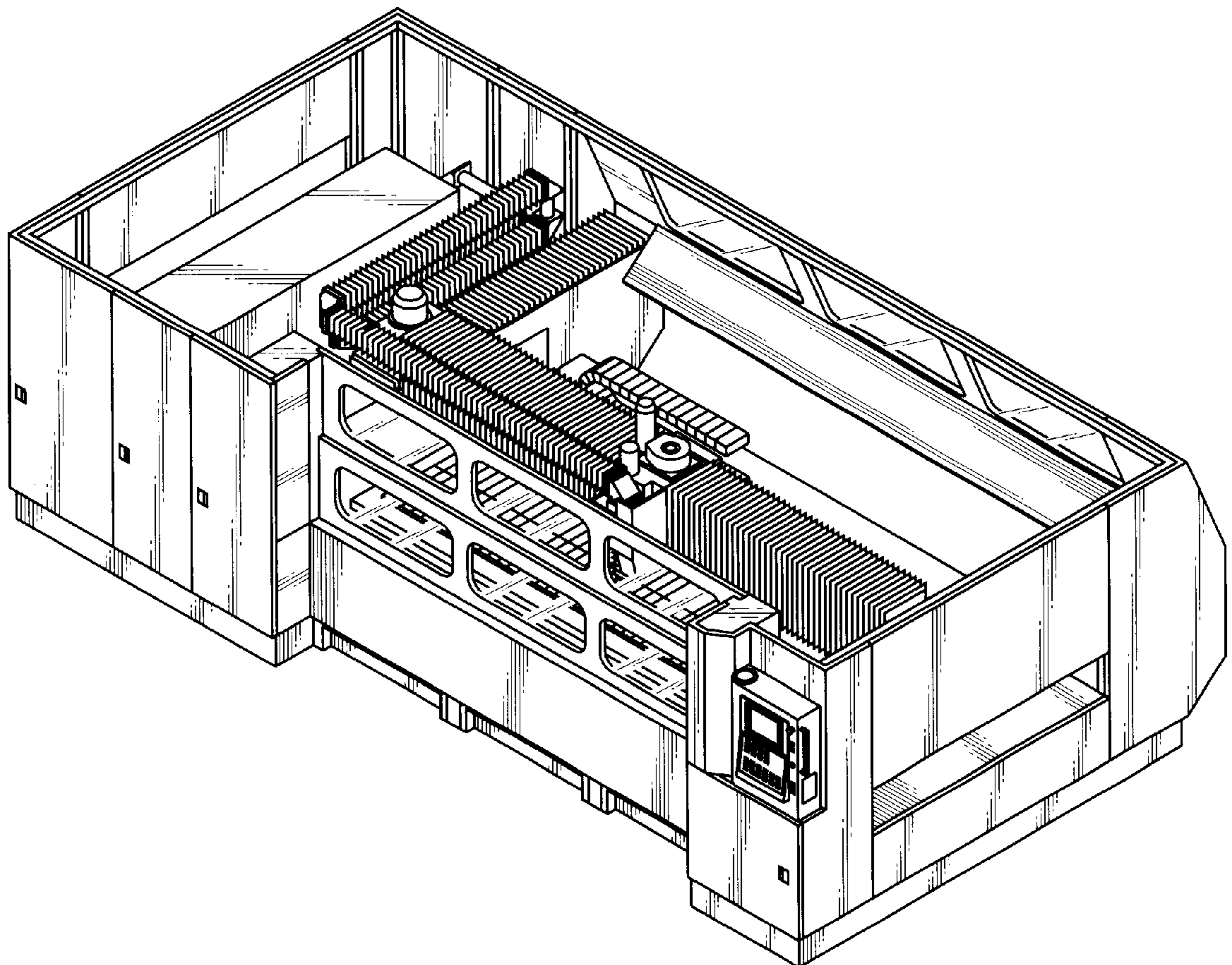


FIG. 1

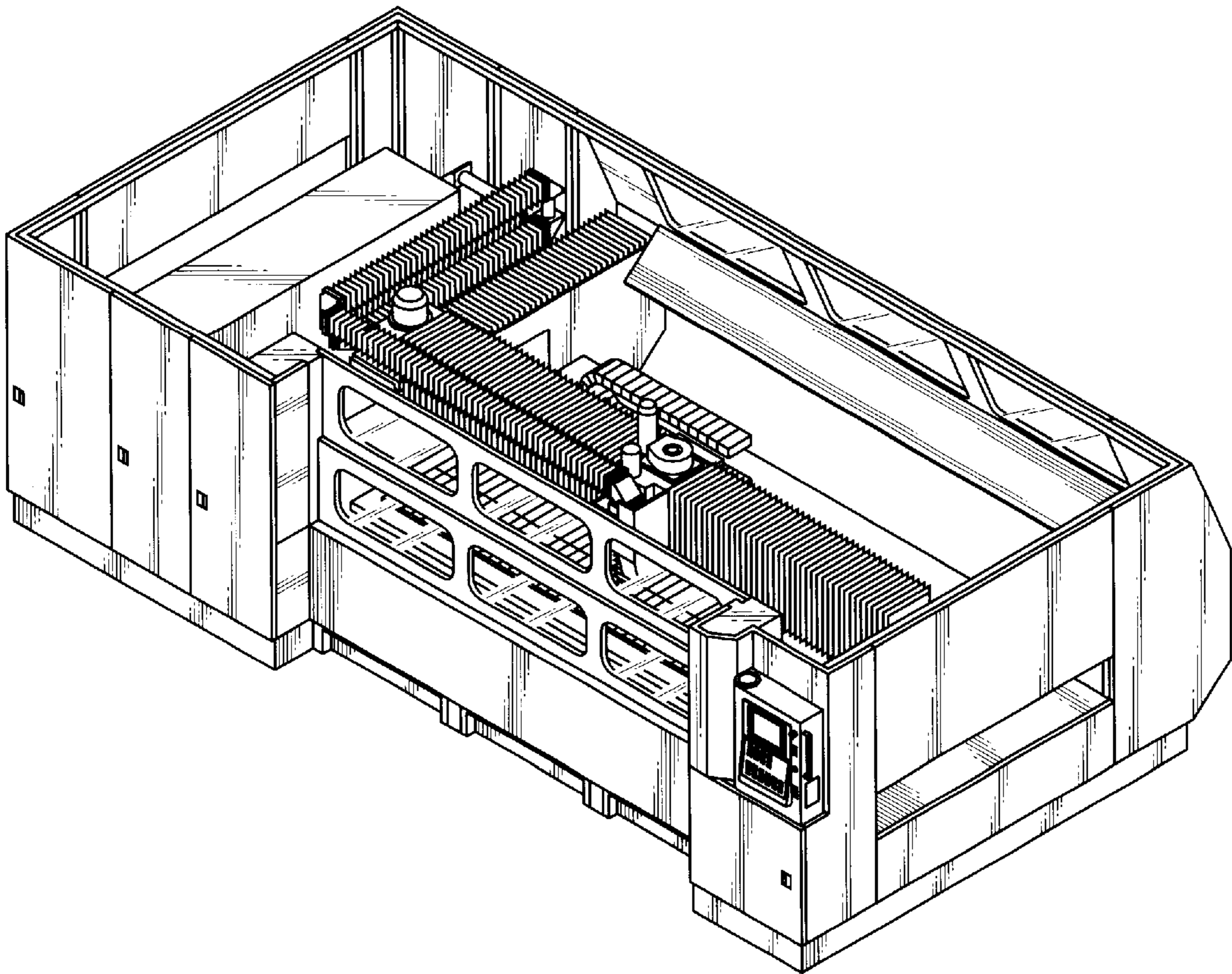


FIG.2

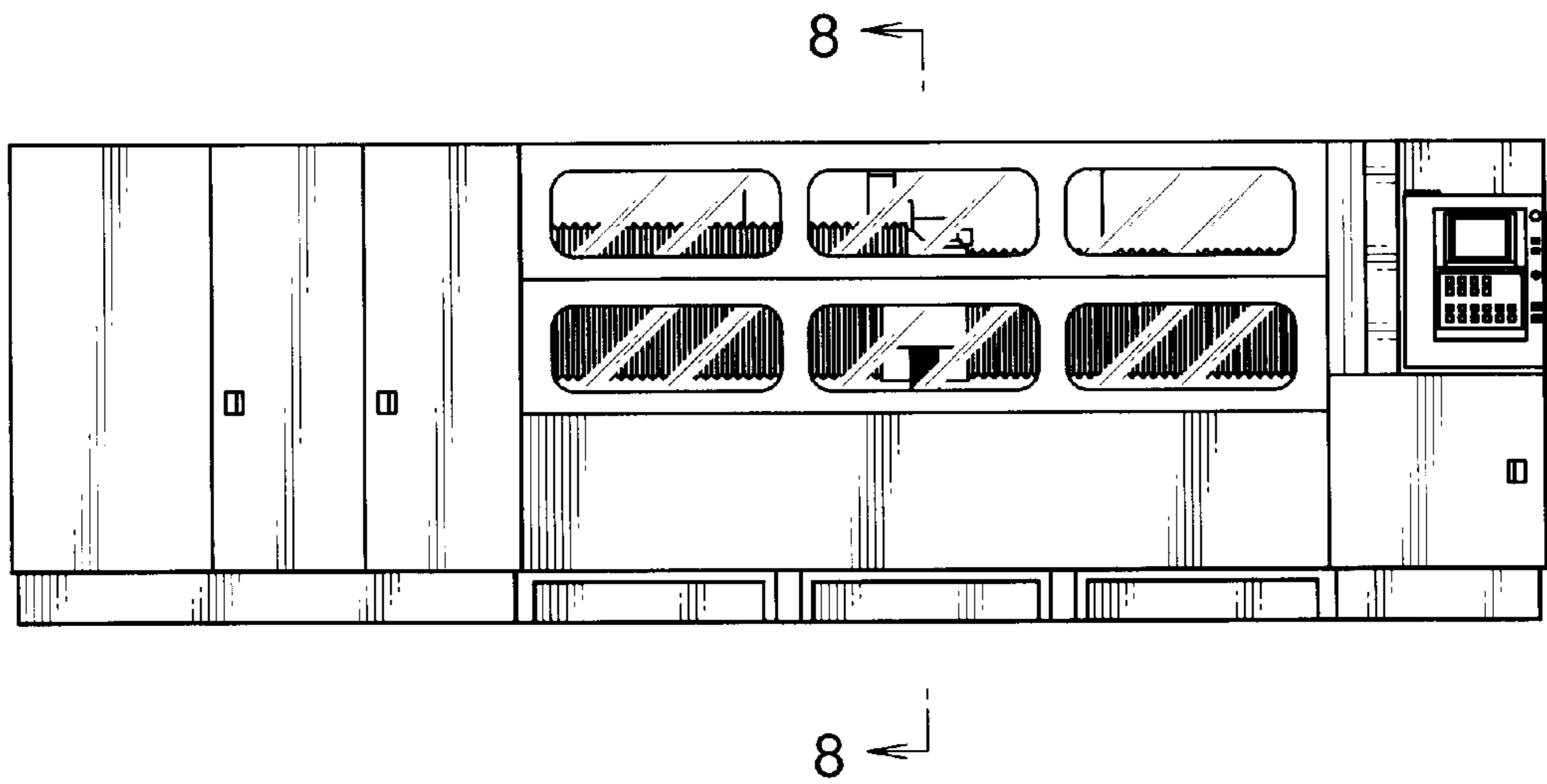


FIG.3

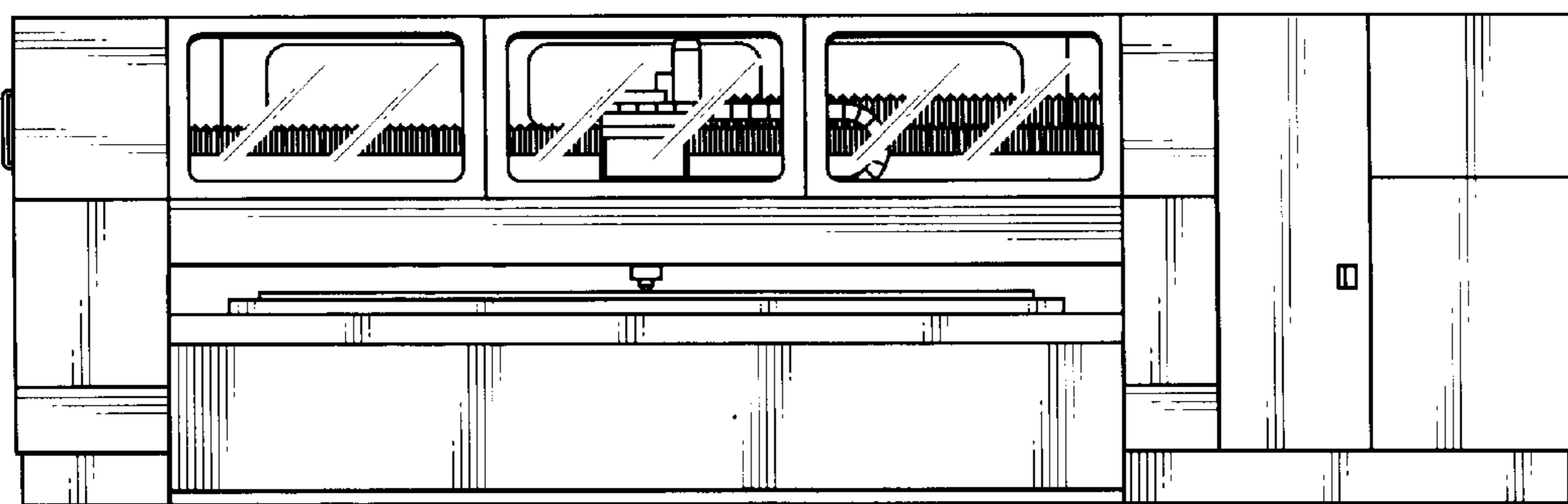


FIG.4

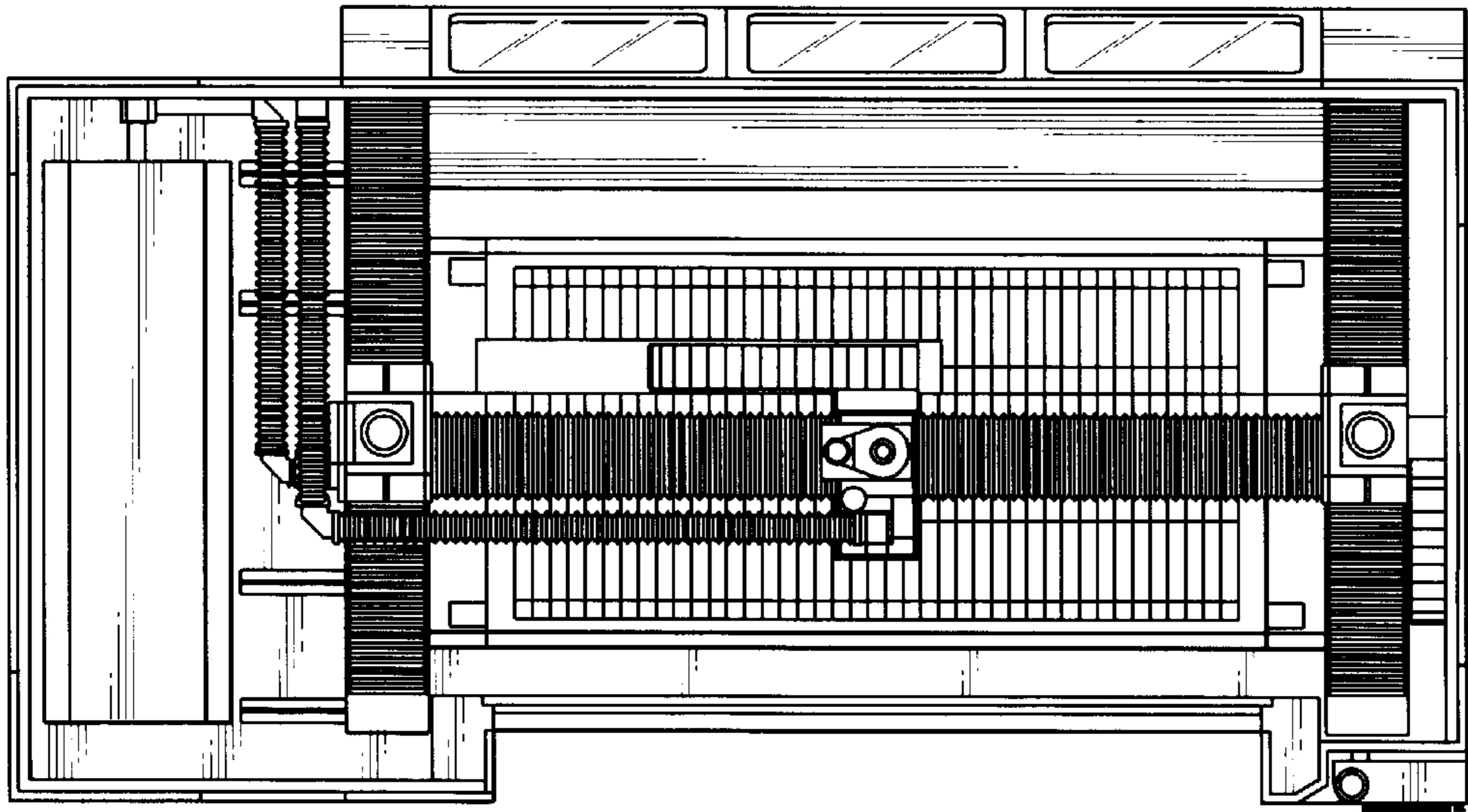


FIG.5

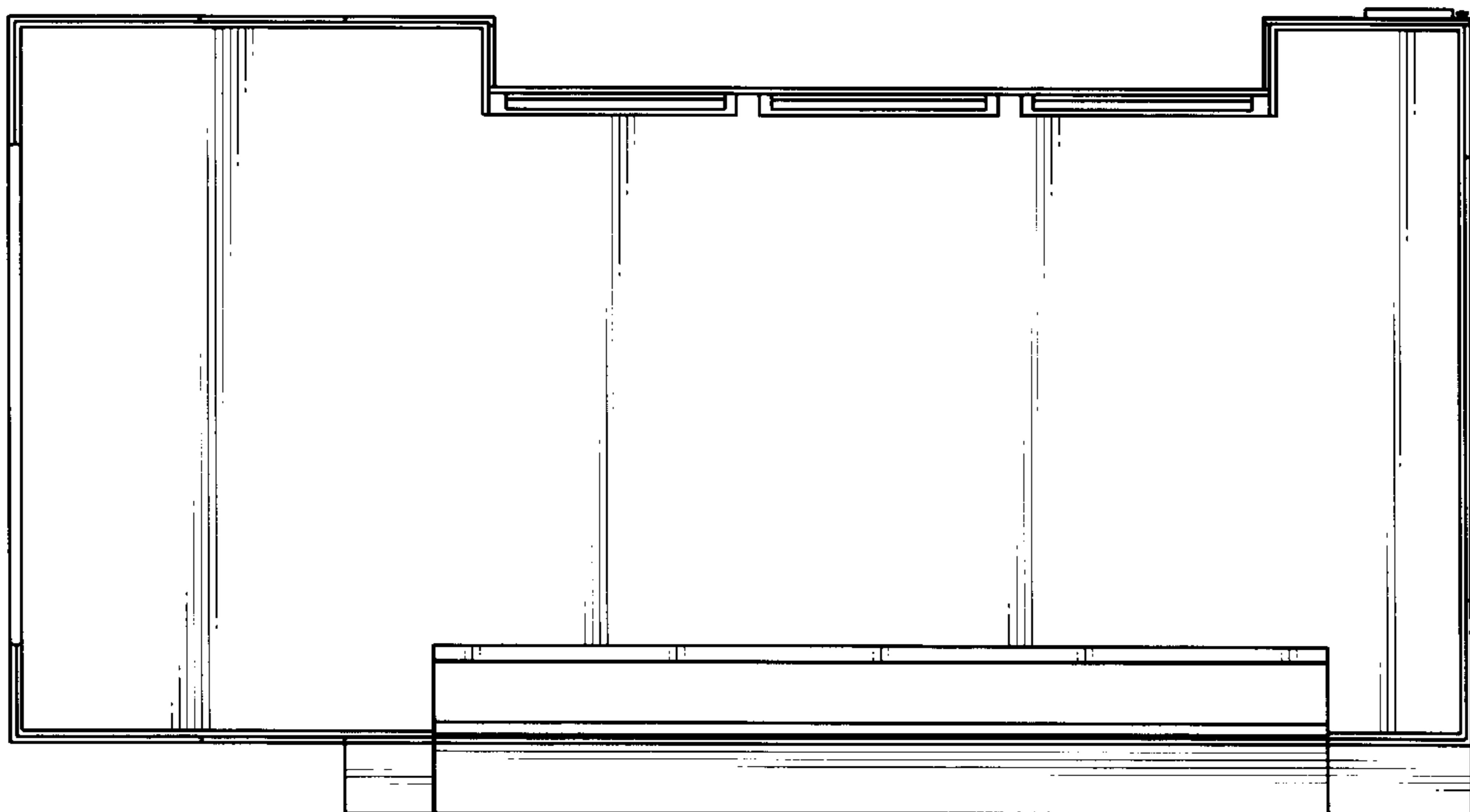


FIG.6

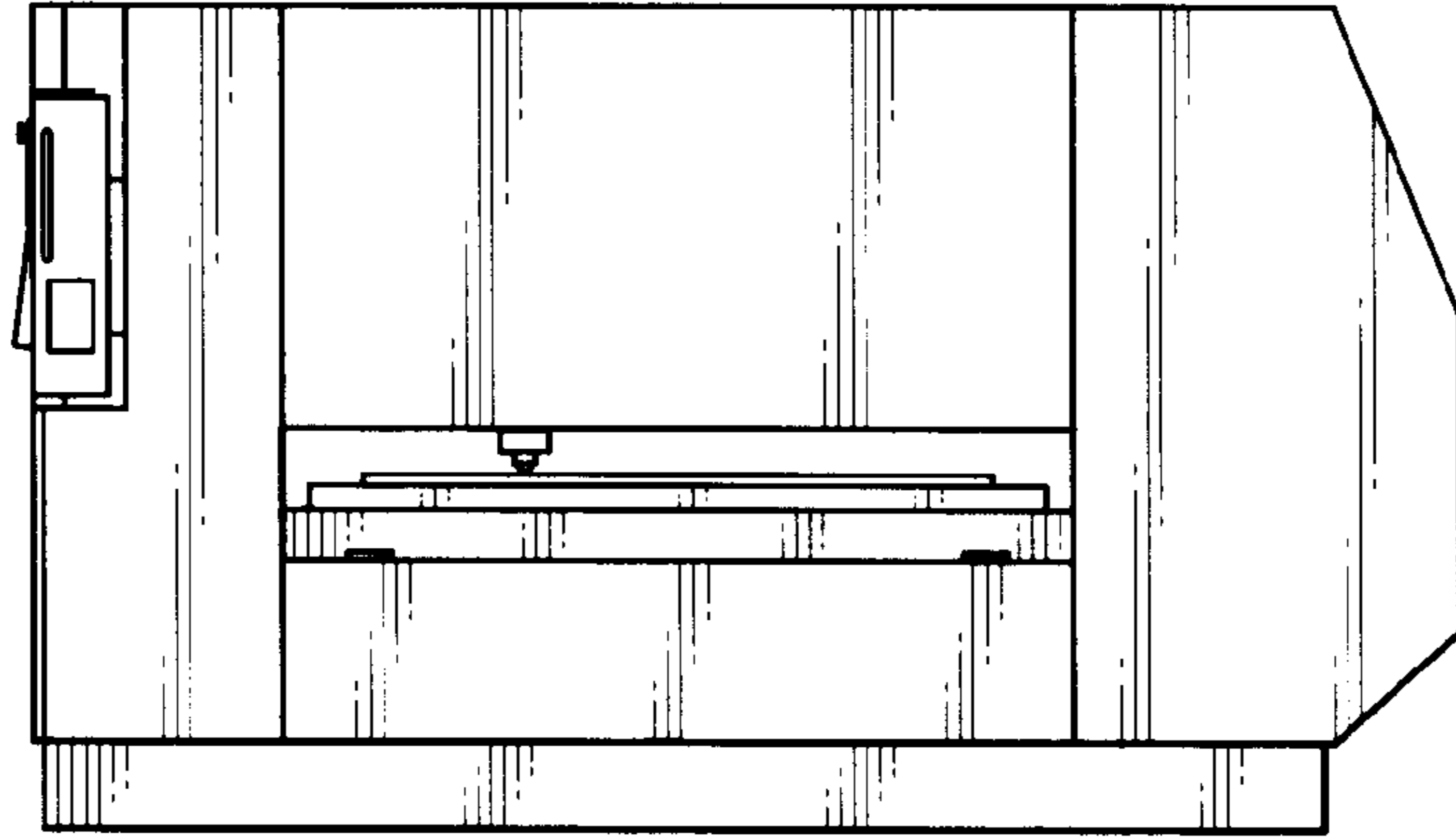


FIG.7

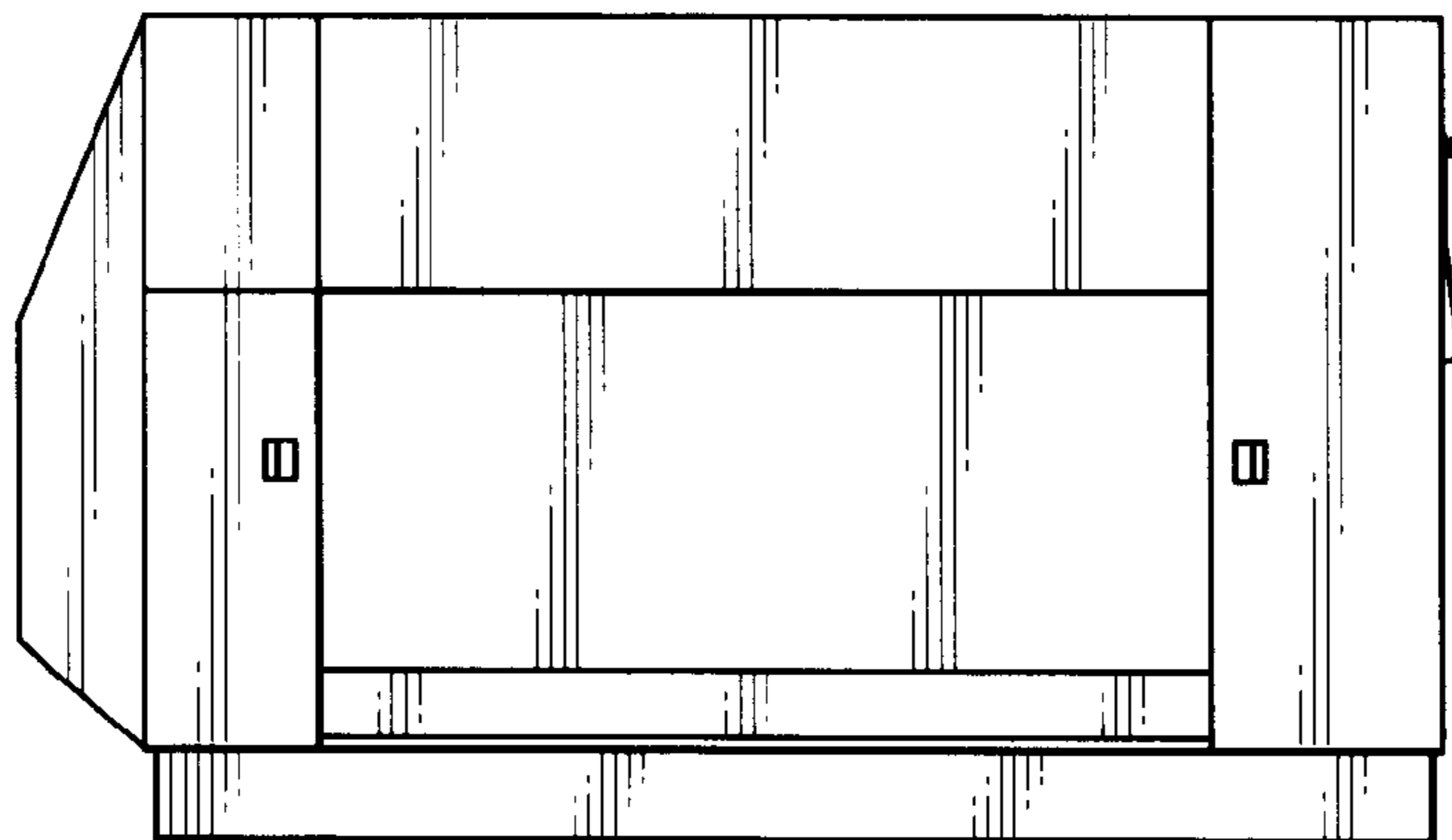


FIG. 8

