



US00D464362S

(12) **United States Design Patent**
Tsai

(10) **Patent No.:** **US D464,362 S**

(45) **Date of Patent:** **** Oct. 15, 2002**

(54) **PUMP**

D443,881 S * 6/2001 Tsai D15/7

* cited by examiner

(76) Inventor: **Lung-Po Tsai**, 27F, No. 29-3, Sec. 2,
Chung-Cheng E. Rd., Tan-Shui Chen,
Taipei Hsien (TW)

Primary Examiner—Ralf Seifert
(74) *Attorney, Agent, or Firm*—Bacon & Thomas, PLLC

(**) Term: **14 Years**

(57) **CLAIM**

The ornamental design for a pump, as shown and described.

(21) Appl. No.: **29/152,872**

DESCRIPTION

(22) Filed: **Jan. 4, 2002**

(51) **LOC (7) Cl.** **15-02**

(52) **U.S. Cl.** **D15/7**

(58) **Field of Search** D11/7-9; 417/40,
417/68, 69, 88, 410.1, 413.1, 423.3, 417,
264, 237; 415/200, 360; D26/38

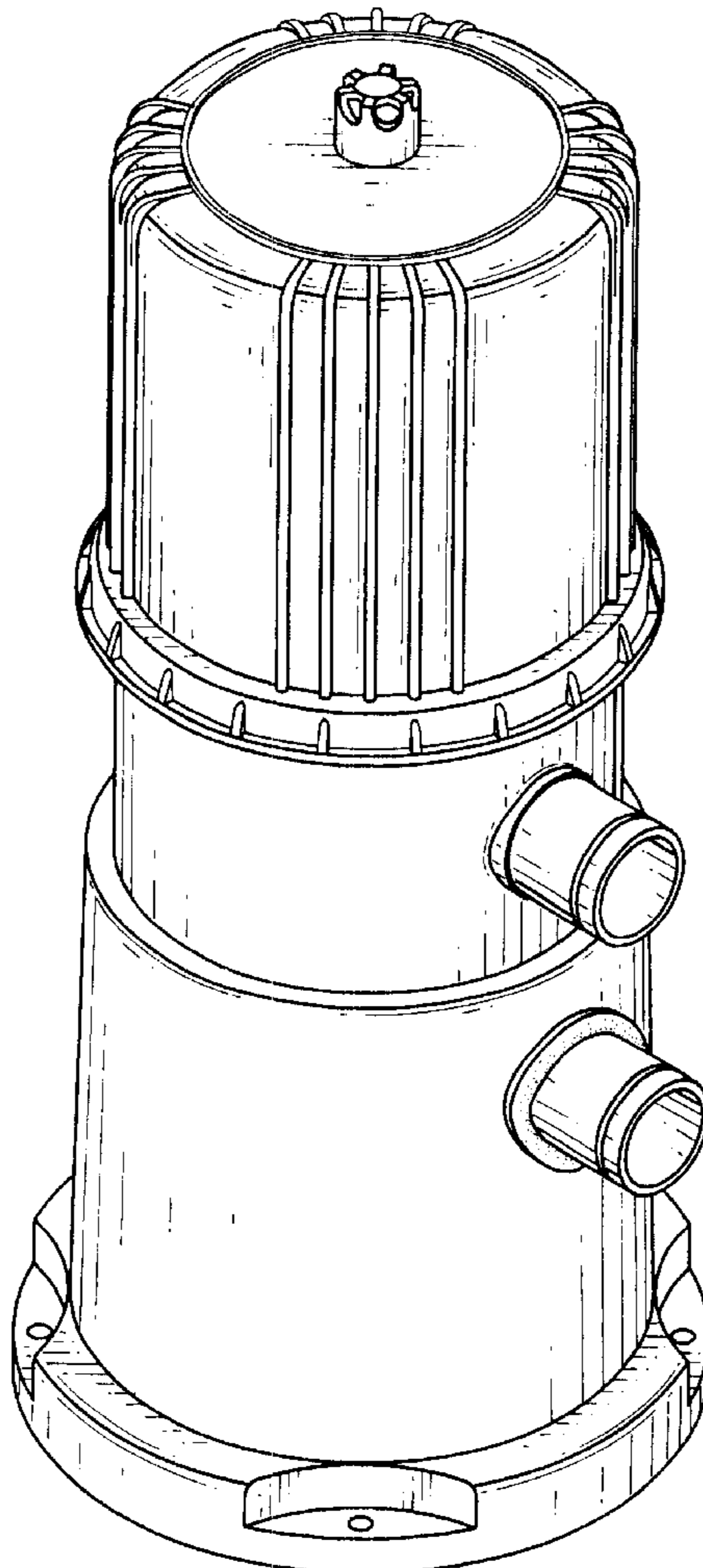
FIG. 1 is a front-right-top perspective view of a pump,
showing my new design;
FIG. 2 is a front elevational view thereof;
FIG. 3 is a rear elevational view thereof;
FIG. 4 is a left elevational view thereof;
FIG. 5 is a right elevational view thereof;
FIG. 6 is a top plan view thereof;
FIG. 7 is a bottom plan view thereof; and,
FIG. 8 is a perspective view thereof, the elements shown in
broken lines is for illustrative purpose only and forms no
part of the claimed design.

(56) **References Cited**

U.S. PATENT DOCUMENTS

- D403,329 S * 12/1998 Walker et al. D15/7
- D420,011 S * 2/2000 Tsai D15/7
- D435,049 S * 12/2000 Tsai D15/7

1 Claim, 7 Drawing Sheets



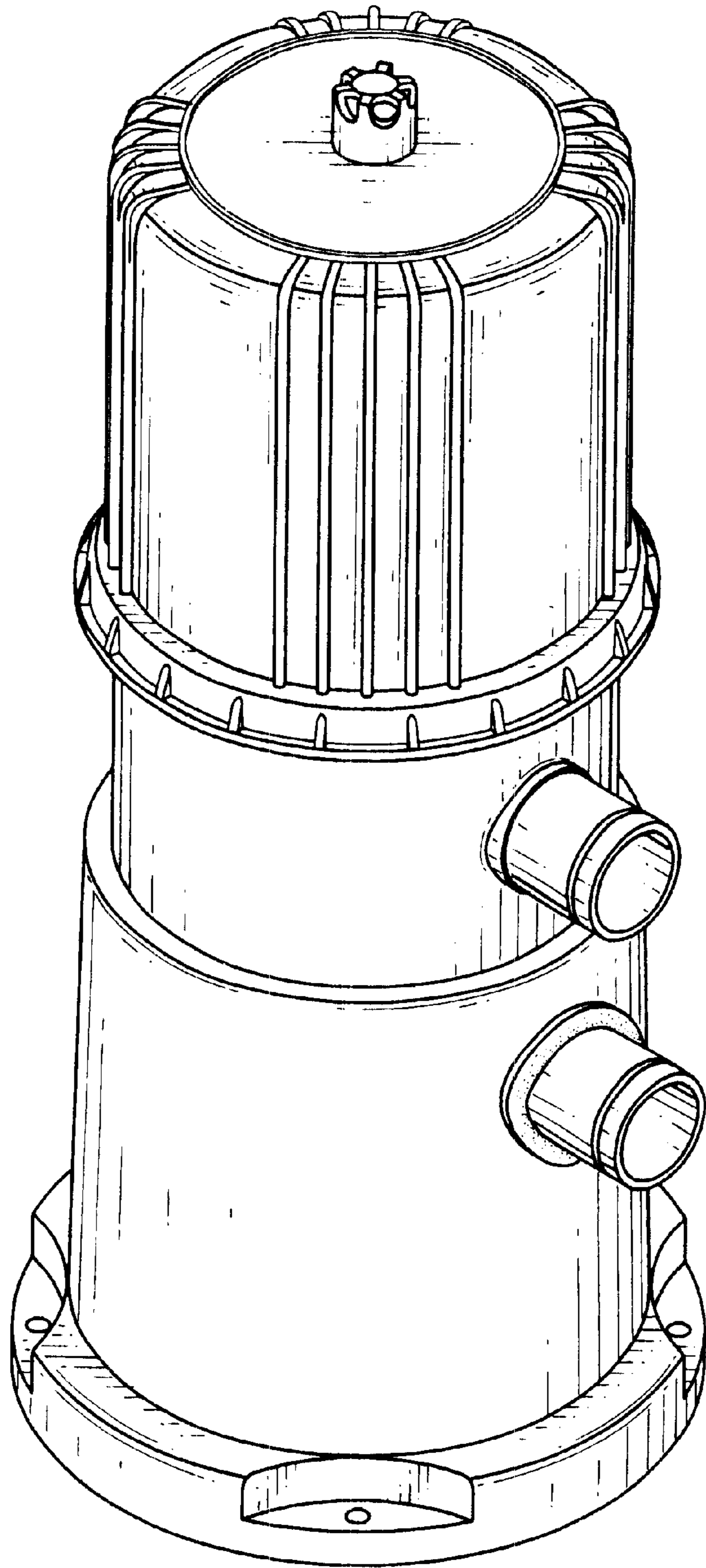


FIG. 1

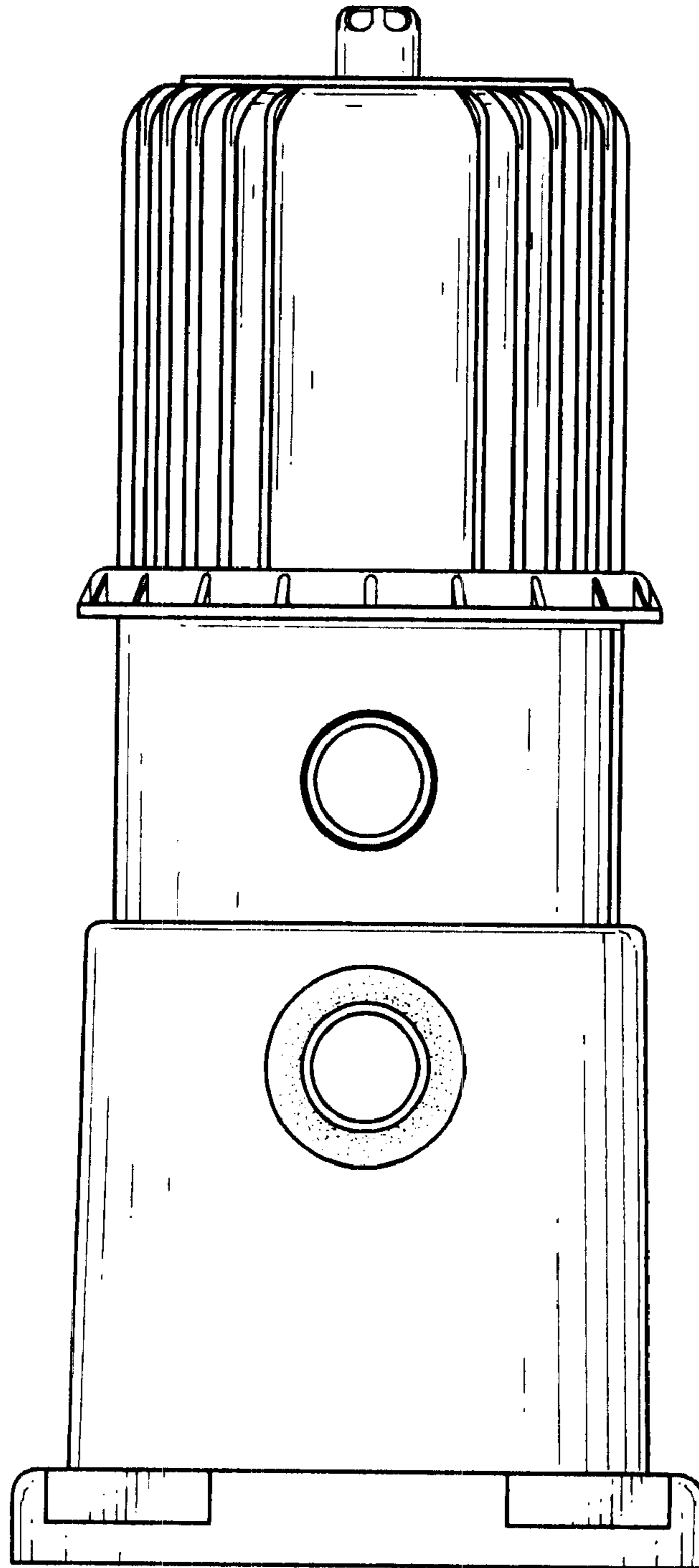


FIG. 2

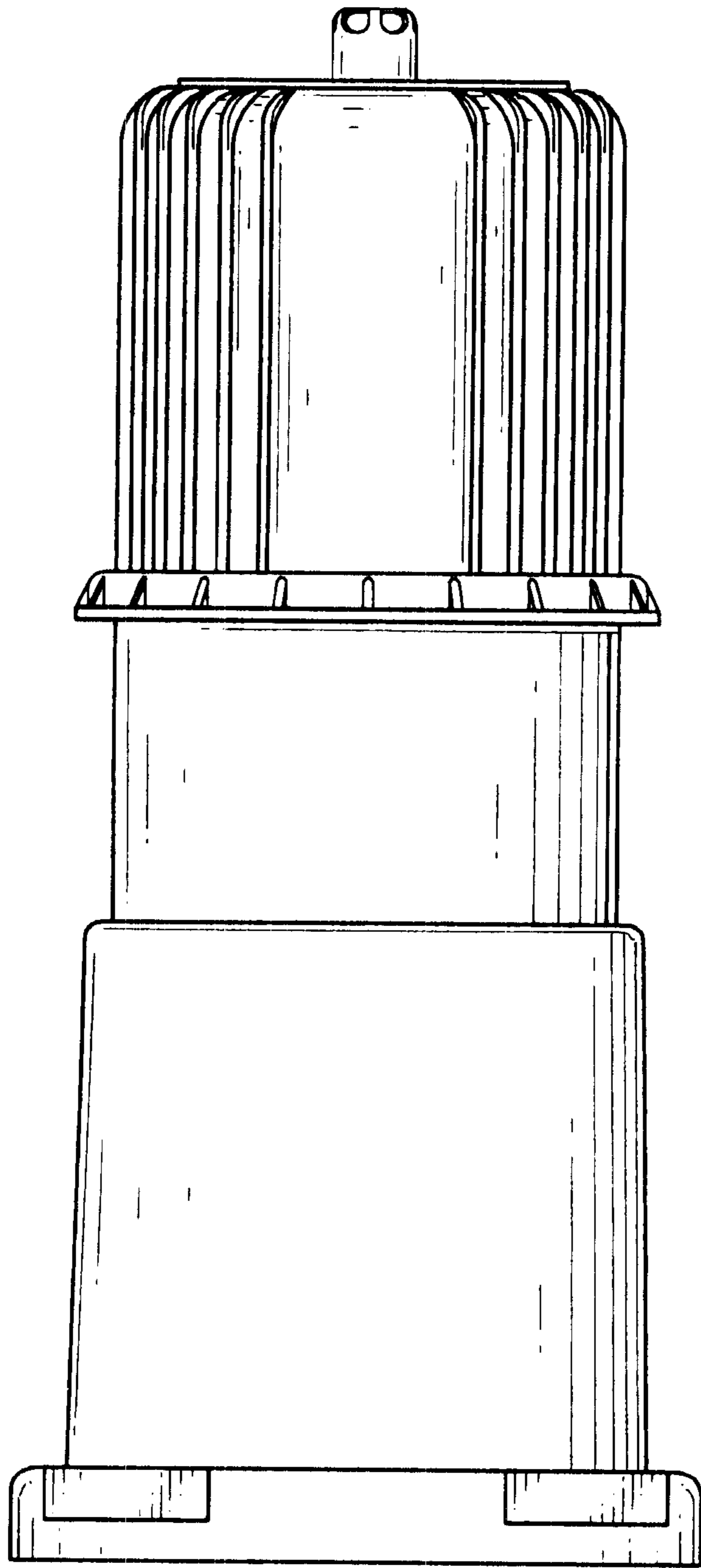


FIG. 3

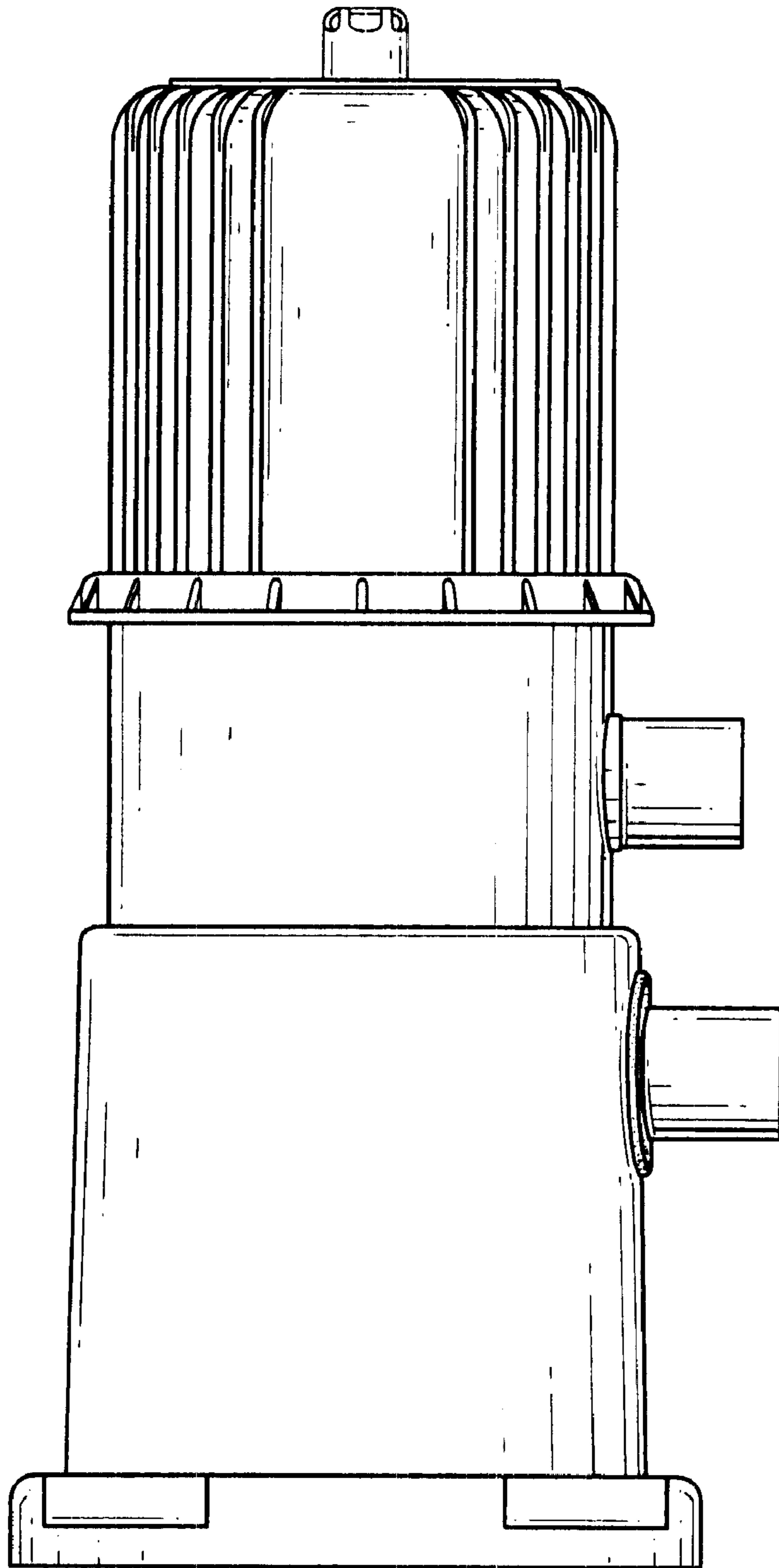


FIG. 4

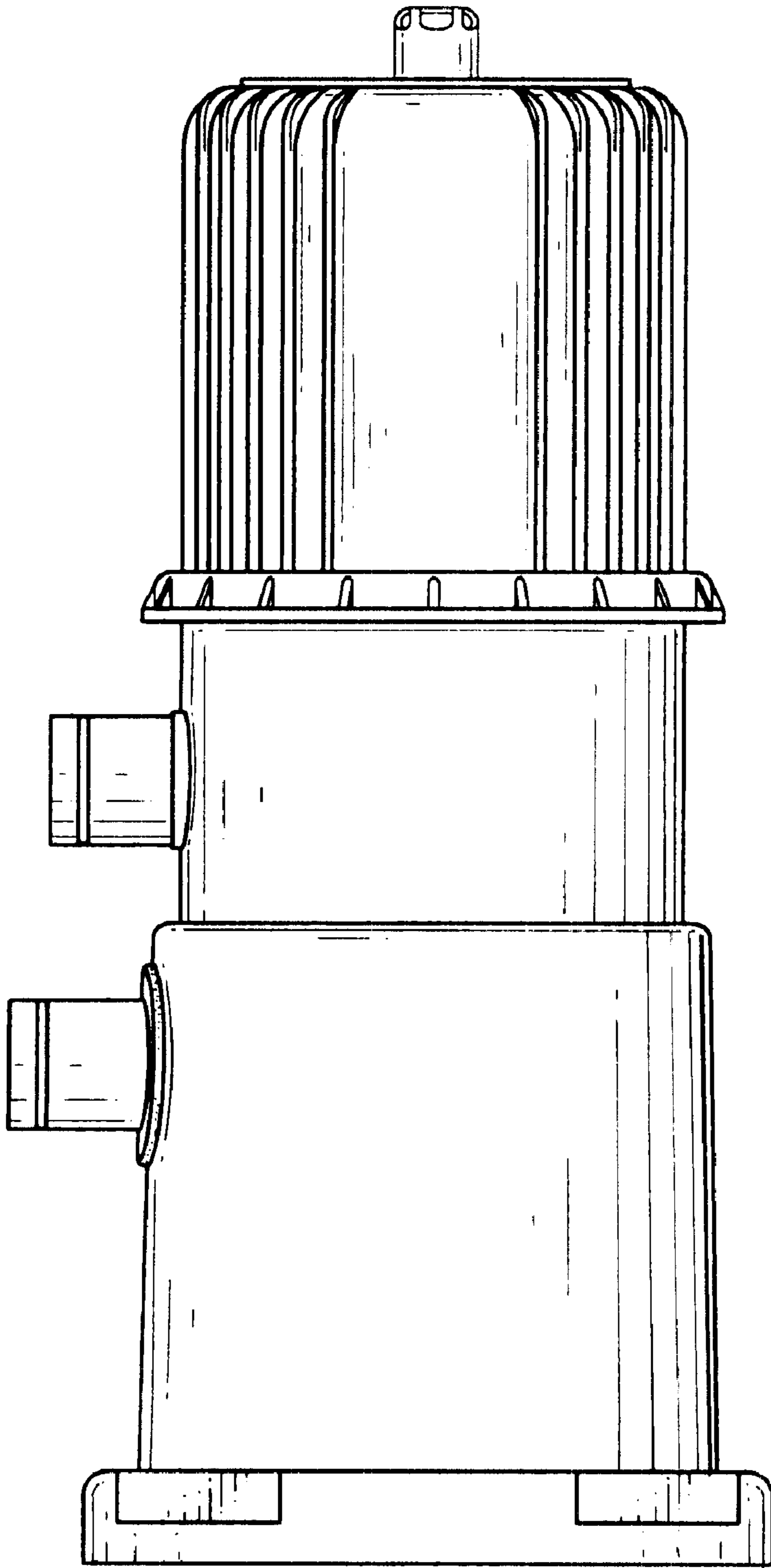


FIG. 5

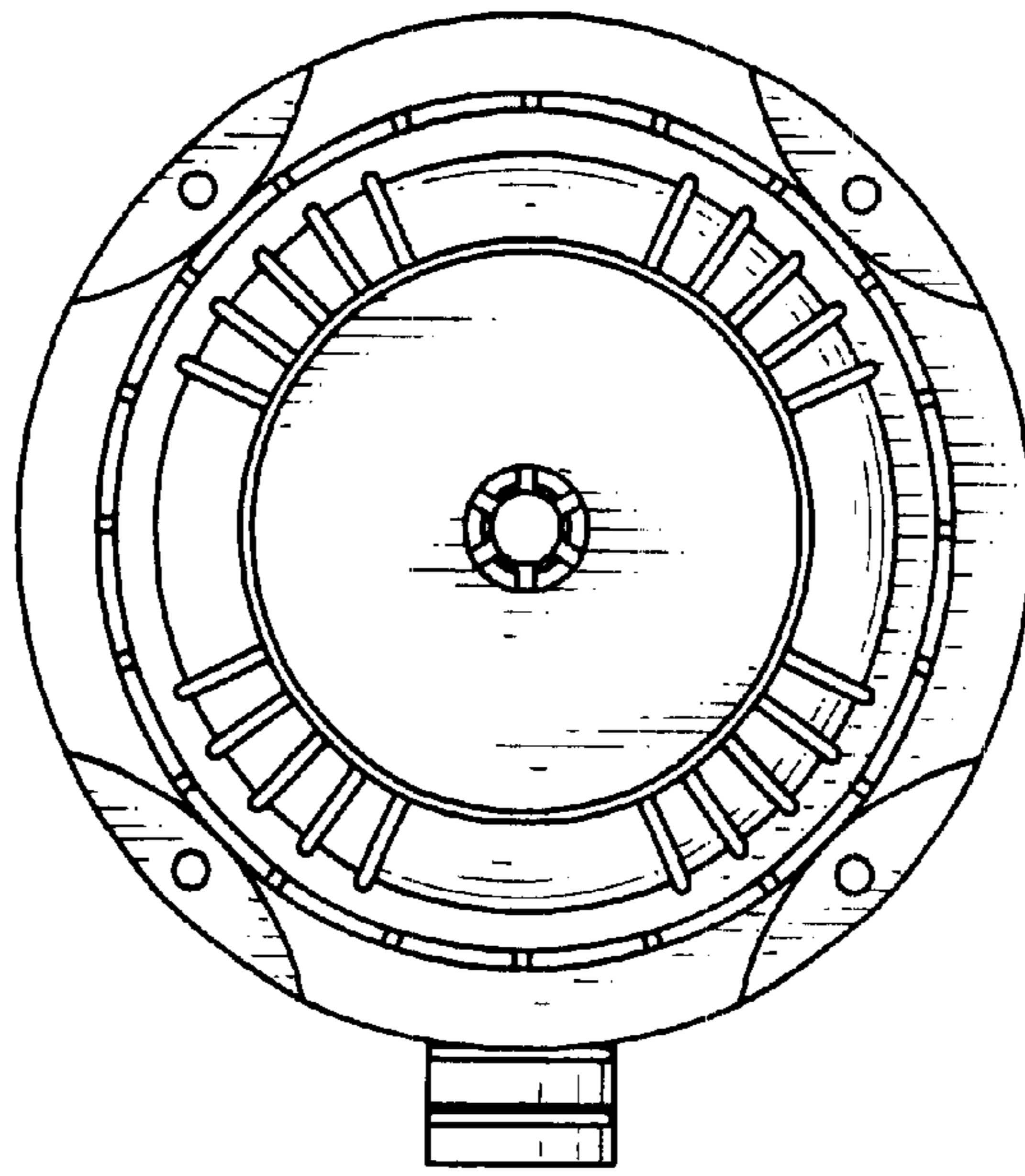


FIG. 6

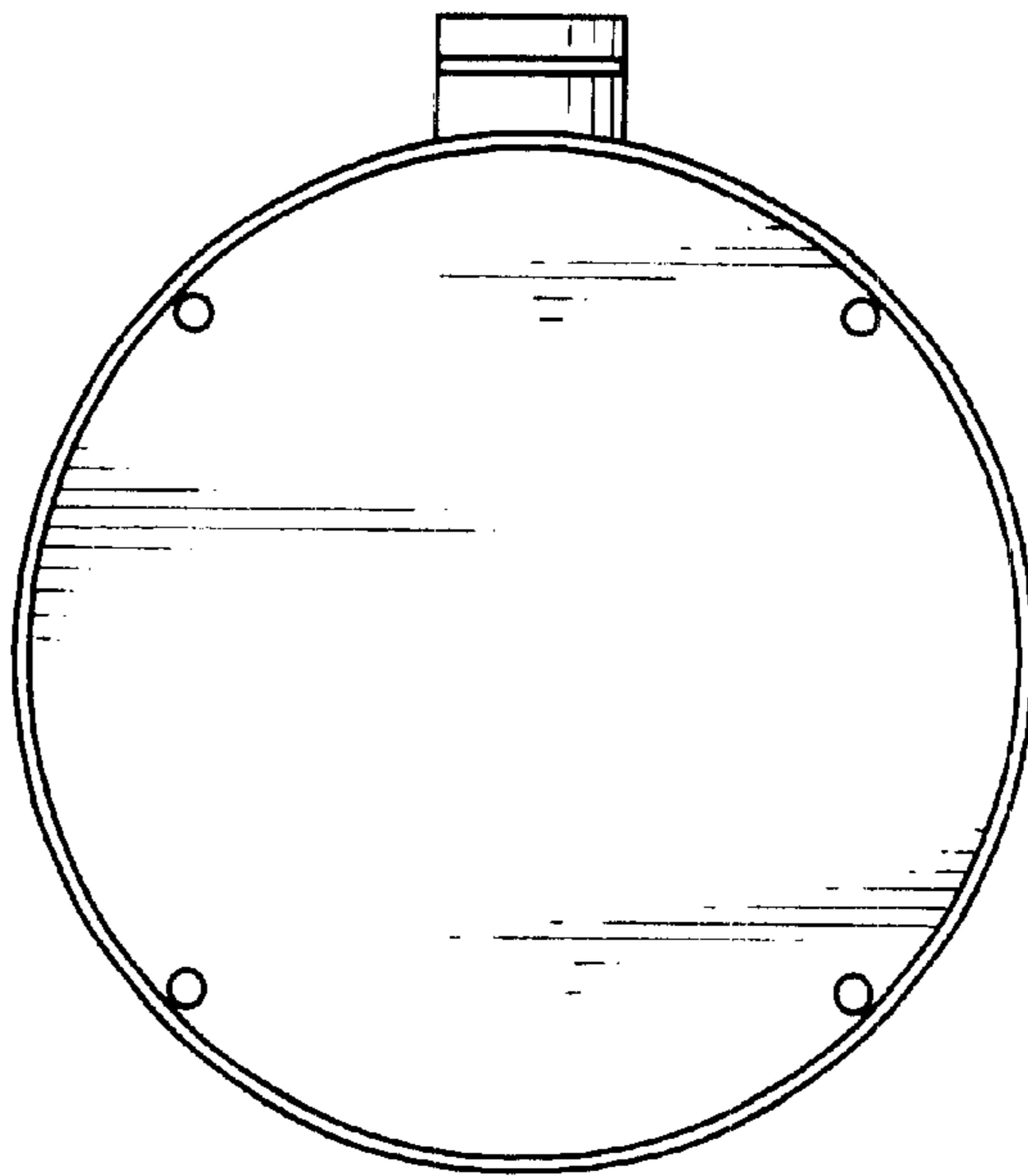


FIG. 7

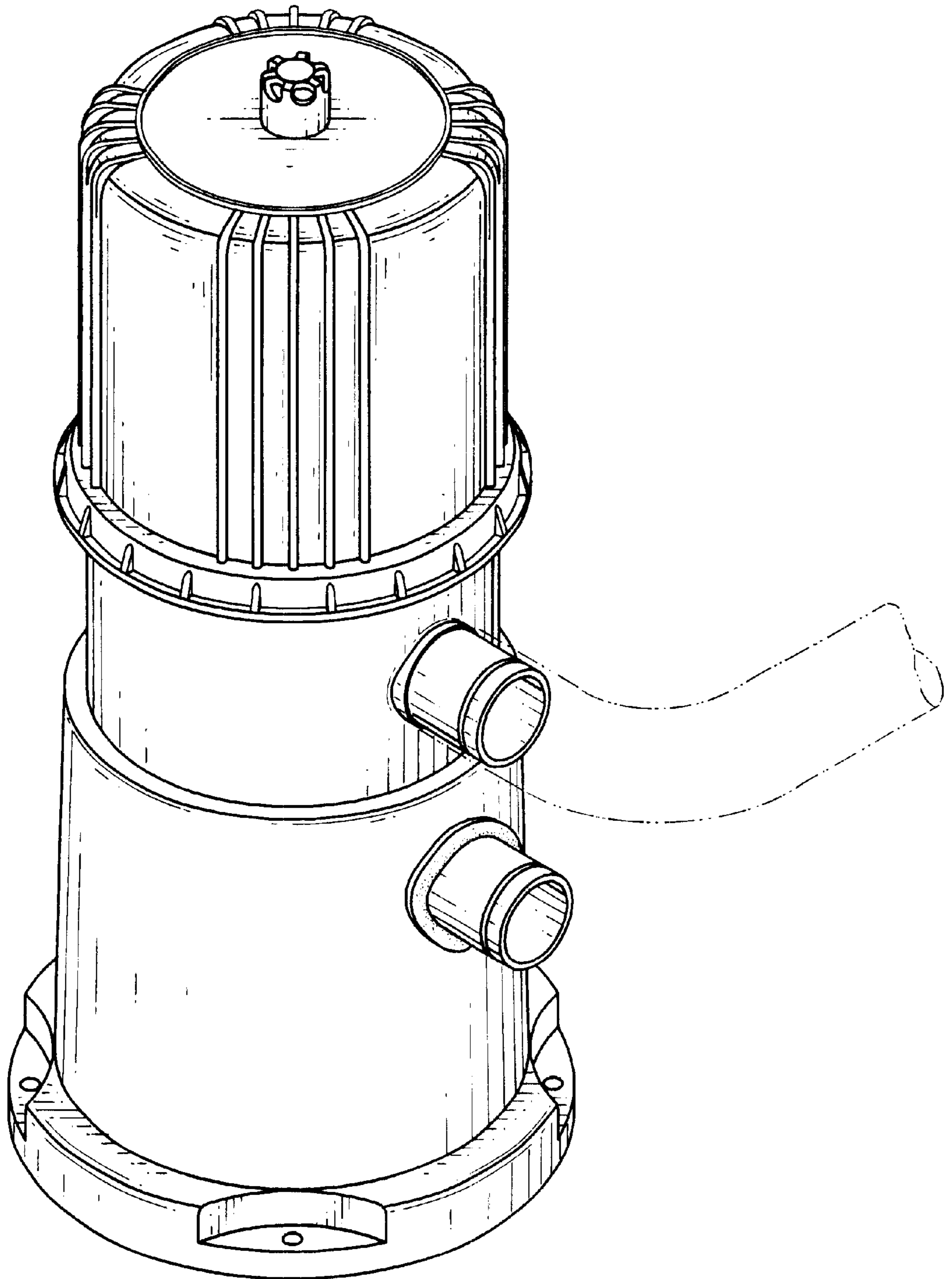


FIG. 8